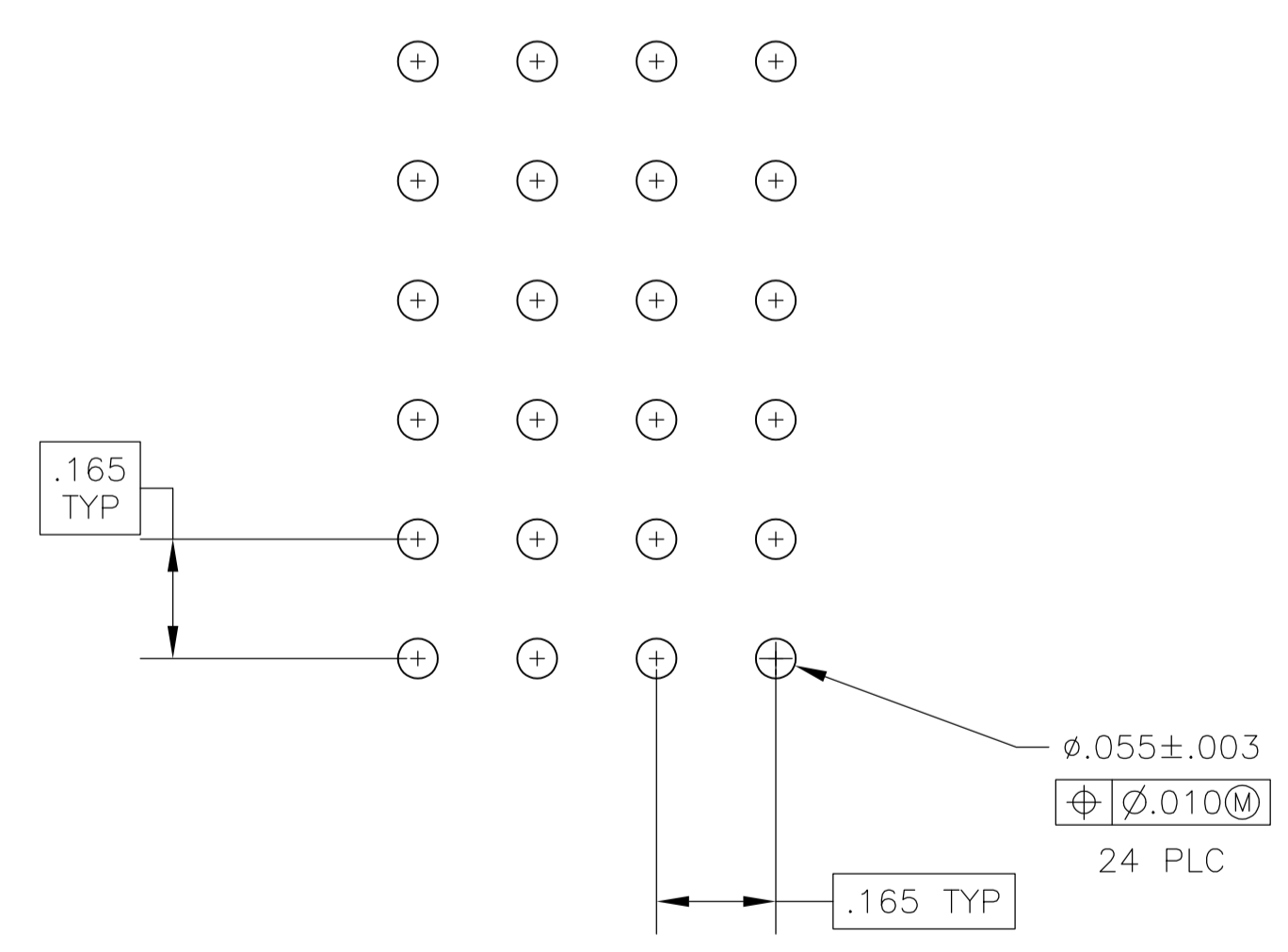
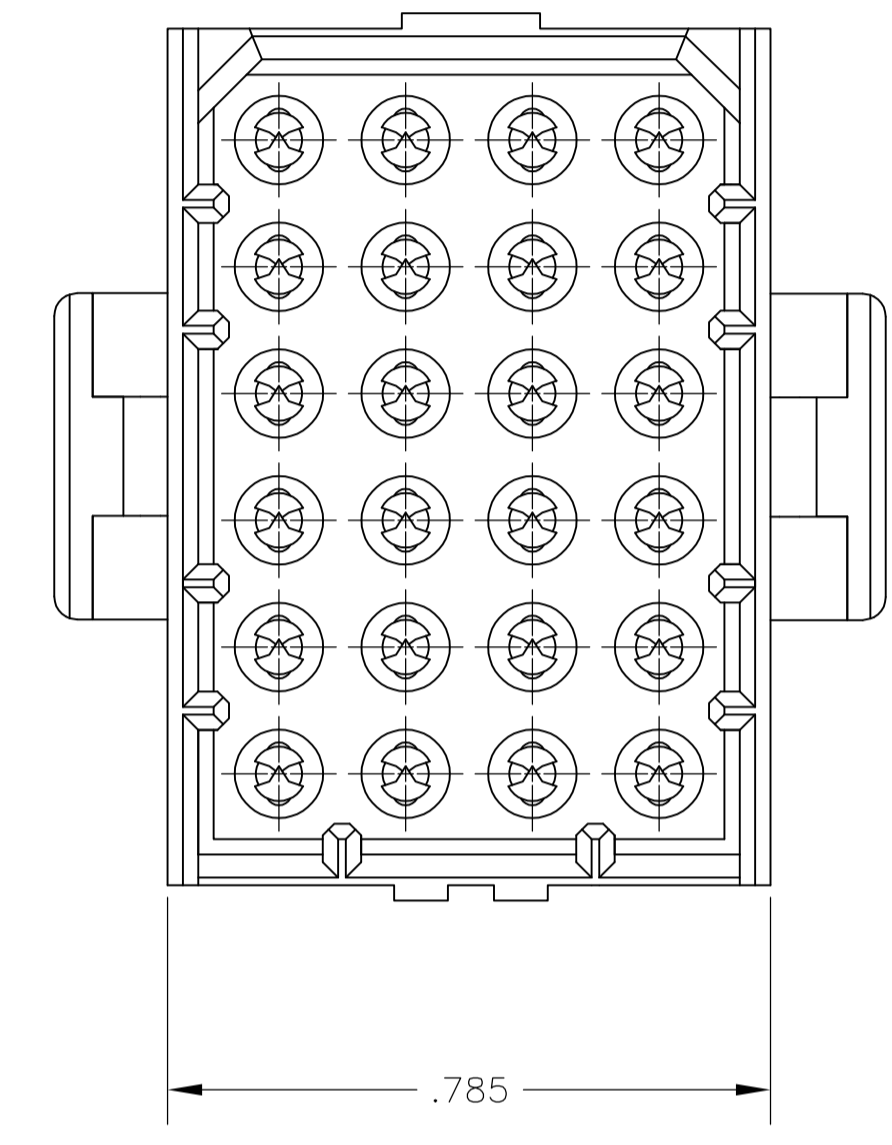
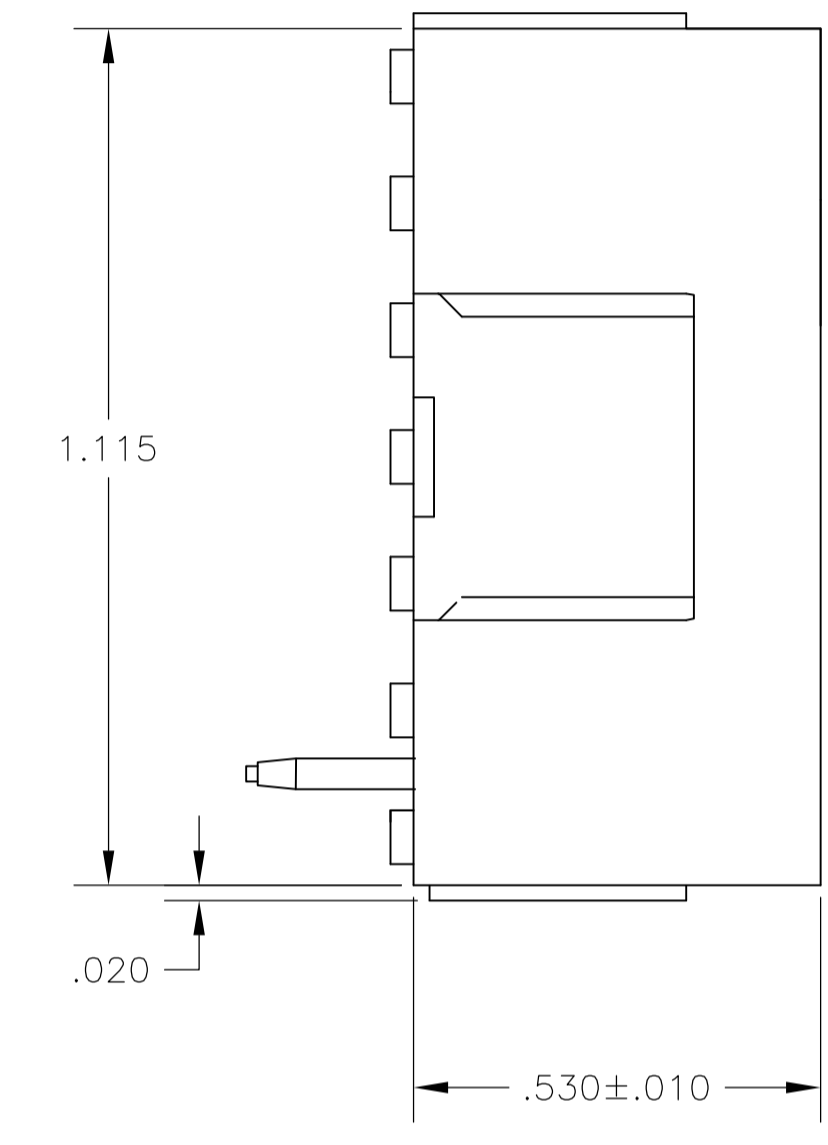
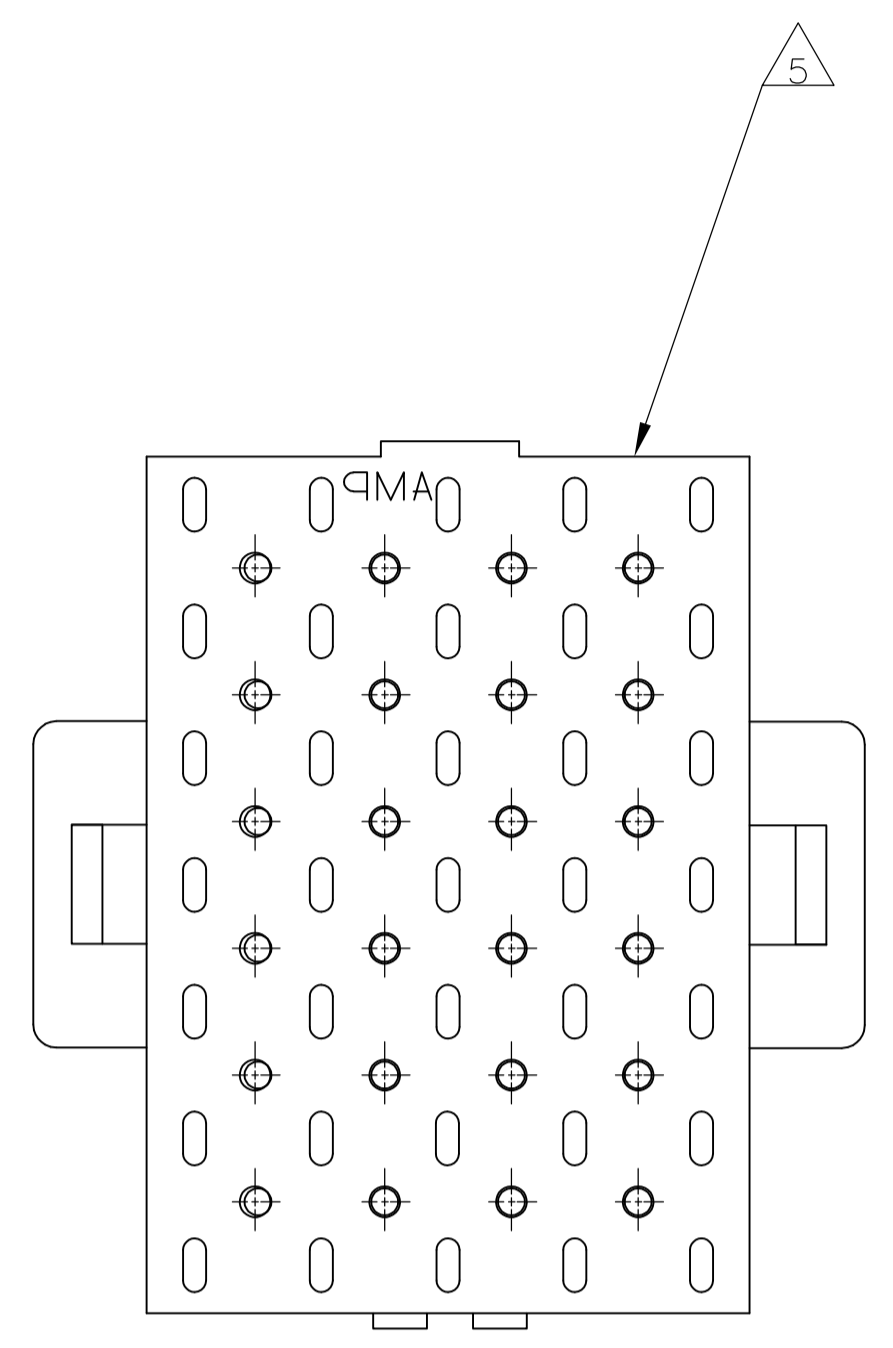
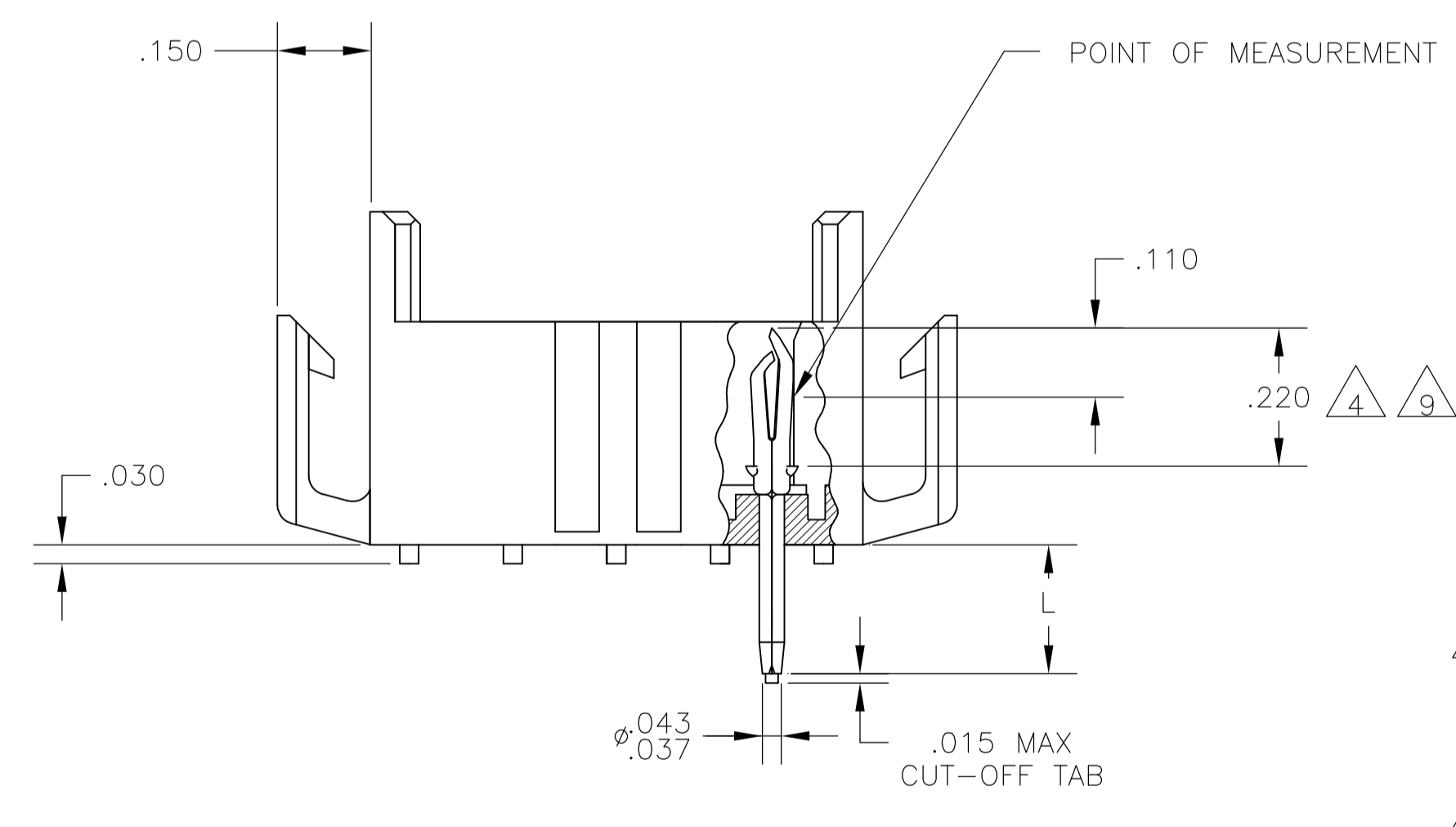


- 1 FITS SOCKET HOUSING 640525.
- 2 ASSEMBLY CONFORMS TO AMP SOLDERABILITY SPEC. 109-11-3.
- 3 FOR USE WITH .063 THICK P.C. BOARD.
- 4 CONTACT IS PLATED OVERALL WITH .000050 NICKEL, THEN .000030 GLD OVER CONTACT LENGTH INDICATED AND .000150 MATTE TIN-LEAD ON SOLDER TAIL END.
- 5 UL AND CSA LOGO LOCATED ON THIS SURFACE.
- 6 FOR USE WITH .120 THICK P.C. BOARD.
- 7 FOR USE WITH .093 THICK P.C. BOARD.
- 8 TRAY PACKAGED VERSION OF 640505-1. PACKAGED 54 PCS. PER TRAY AND 7 TRAYS PER BOX.
- 9 CONTACT IS PLATED OVERALL WITH .000050 NICKEL, THEN .000030 GLD OVER CONTACT LENGTH INDICATED AND .000150 MATTE TIN ON SOLDER TAIL END.
- 10 OBSOLETE PARTS: OBSOLETE CIS STREAMLINING PER D.RENAUD/D.SINISI
- 11 PARTITION PACKED AND BOXED, 270PCS PER CARTON.



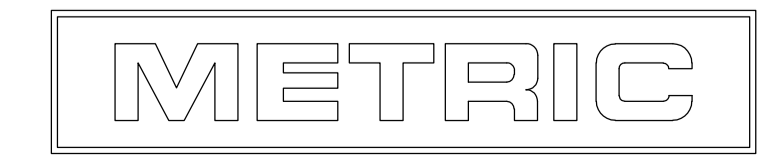
RECOMMENDED P.C. BOARD LAYOUT



	.210	6	BRICK RED	GOLD	4	1-640505-4
10 OBSOLETE	.180	7	BRICK RED	GOLD	9	2-640505-6
	.210	6	BRICK RED	GOLD	9	2-640505-4
	.150	3	BRICK RED	GOLD	9	2-640505-2
8 OBSOLETE	.150	3	BRICK RED	PRE-TIN		1-640505-0
10 OBSOLETE	.180	7	BRICK RED	GOLD		640505-6
	.210	6	BRICK RED	GOLD	4	640505-4
	.210	6	BRICK RED	PRE-TIN		640505-3
	.150	3	BRICK RED	GOLD	4	640505-2
	.150	3	BRICK RED	PRE-TIN		640505-1
	"L" +.010 -.020		HOUSING COLOR	PIN FINISH		PART NUMBER

.010	0.25	.055	1.40	.210	5.33	-	-
.008	0.20	.043	1.09	.180	4.57	-	-
.005	0.13	.037	0.94	.165	4.19	1.115	28.32
.003	0.08	.030	0.76	.150	3.81	.785	19.94
.000050	0.00127	.020	0.51	.110	2.79	.530	13.46
.000030	0.00076	.015	0.38	.063	1.60	.220	5.59
IN	MM	IN	MM	IN	MM	IN	MM

CONVERSION TABLE



THIS DRAWING IS A CONTROLLED DOCUMENT.

DIMENSIONS: INCHES	TOLERANCES UNLESS OTHERWISE SPECIFIED:	DWN: J. HUFFMAN 28APR98	CHK: R. SWING 28APR98	APVD: T. REDDICK 28APR98	NAME: HEADER ASSEMBLY, PIN, 24 POSITION, MR.
0. PLC ± -	1. PLC ± -	2. PLC ± -	3. PLC ± .005	4. PLC ANGLES ± 0° 30'	SIZE: A1
MATERIAL: SEE TABLE	FINISH: SEE FINISH	WEIGHT: -	SCALE: 4:1	SHEET: 1 of 1	REV: T2

CUSTOMER DRAWING