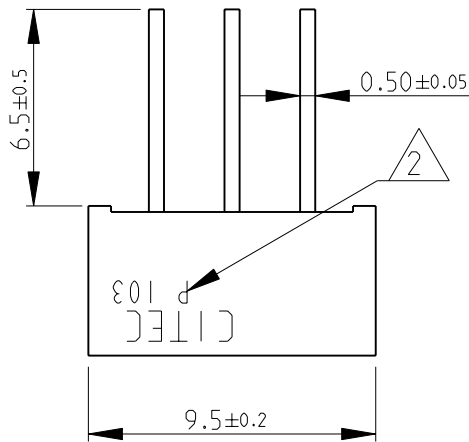


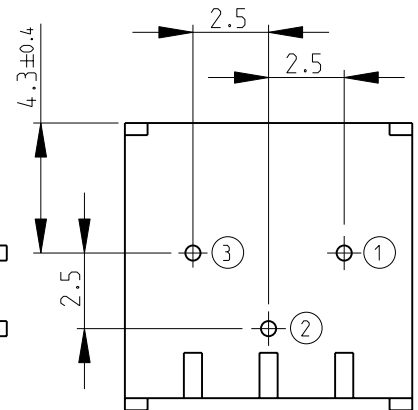
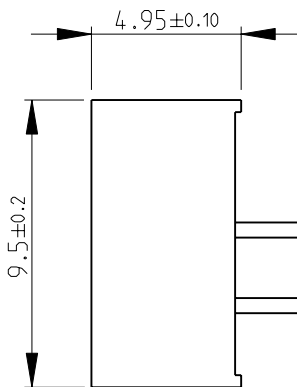
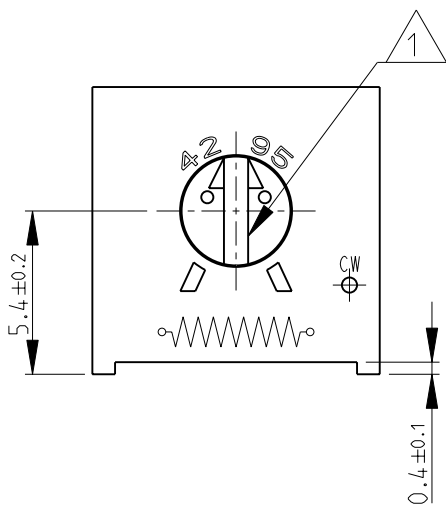
| LOC | DIST | REVISIONS | | | |
|-----|------|-------------|-----------|-----|------|
| P | LTR | DESCRIPTION | DATE | DWN | APVD |
| E | B | | | | |
| | BA | NEW RELEASE | 17-NOV-08 | SM | St.P |



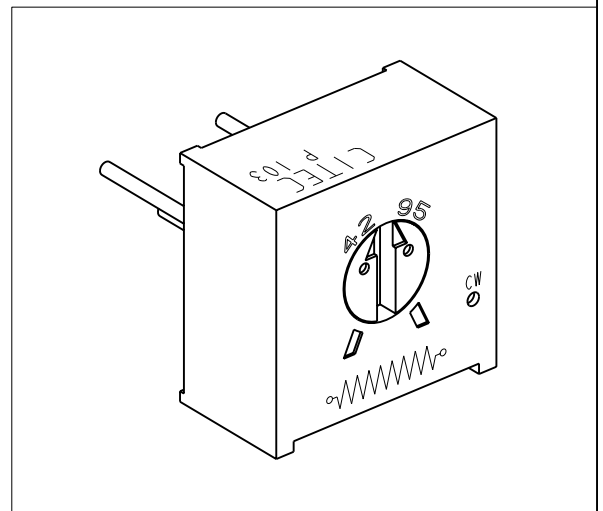
1 TOP ADJUSTMENT SLOT:
LENGTH- 3.7 ± 0.2 , WIDTH- 0.8 ± 0.1 , DEPTH- 0.8 ± 0.1

2 MARKING: RESISTANCE VALVE AND PIN ORIENTATION

3 FOR FURTHER INFORMATION SEE DATA SHEET FOR 4295 SERIES-PROFESSIONAL TRIMMERS



RoHS Compliant



2008

RELEASED FOR PUBLICATION

THIS DRAWING IS UNPUBLISHED.

© COPYRIGHT 2008 BY TYCO ELECTRONICS CORPORATION. ALL RIGHTS RESERVED.

| | | | | | | | |
|--|------------------|--------------|--|-----------|------------|---------------|-------|
| DIMENSIONS: mm | DWN SUBHASH.M | 17-NOV-08 | MATERIAL | - | FINISH | - | |
| | CHK PRAKASH.S | 17-NOV-08 | Tyco Electronics Corporation Dorcan, Swindon, SN3 5HH | | | | |
| TOLERANCES UNLESS OTHERWISE SPECIFIED: | APVD STEPHEN.P | 17-NOV-08 | | | | | |
| | 0 PLC ±0.2 | PRODUCT SPEC | NAME PROFESSIONAL TRIMMERS SERIES 4295P | | | | |
| 1 PLC ±0.1 | - | | | | | | |
| 2 PLC ±- | APPLICATION SPEC | - | SIZE | CAGE CODE | DRAWING NO | RESTRICTED TO | |
| 3 PLC ±- | - | - | A 4 | 00779 | ©-1623836 | - | |
| 4 PLC ±- | WEIGHT | 0.85g | CUSTOMER DRAWING | | | | |
| ANGLES ±5° | - | - | | | | | SCALE |
| | | | | | | REV | BA |