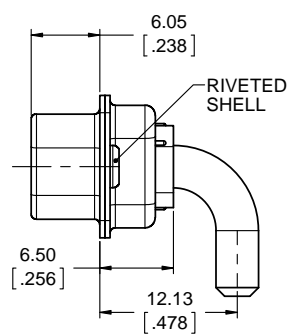
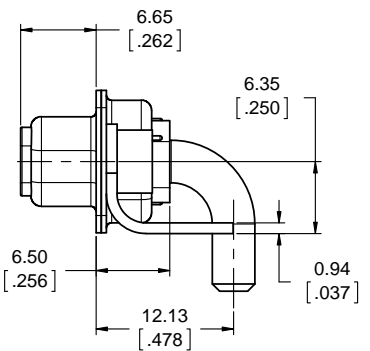
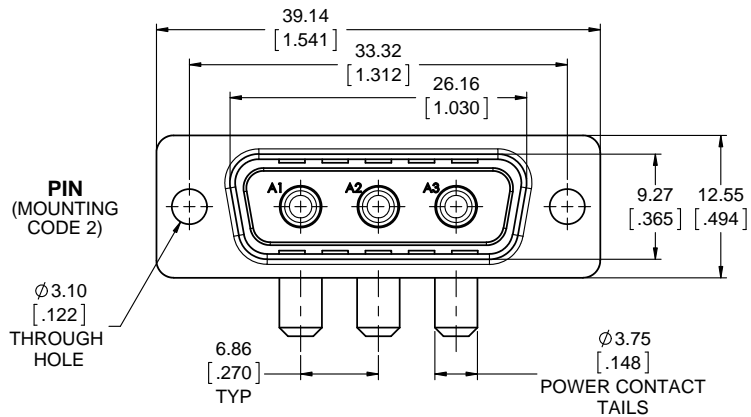
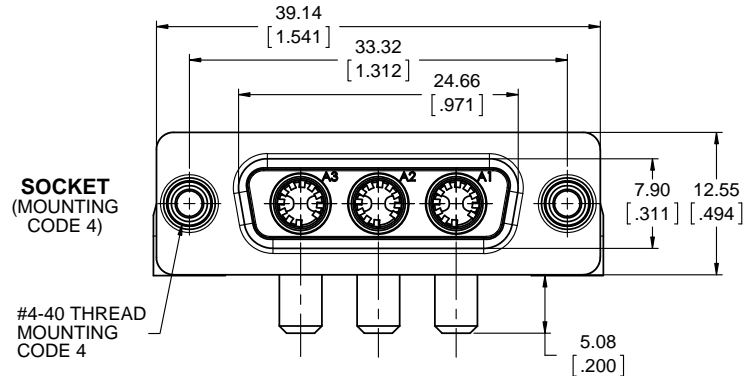
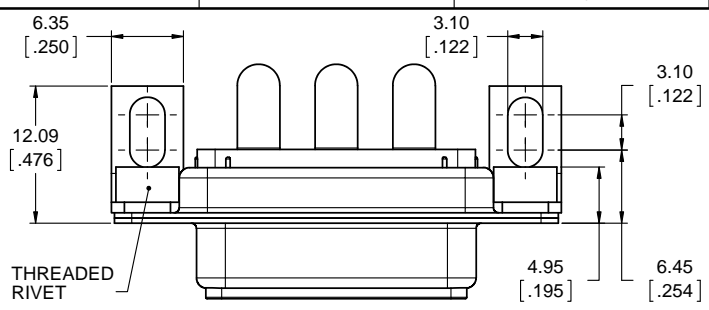
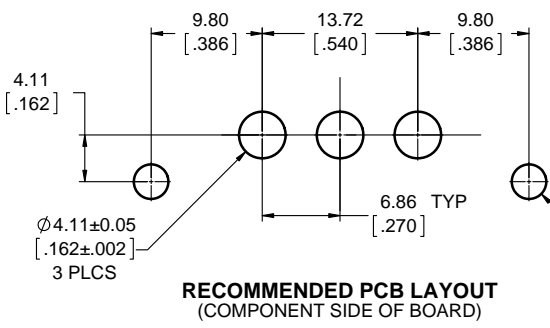


| REVISIONS | | | |
|-----------|---------------------------|----------|-------|
| REV | DESCRIPTION, ECN, EAR NO. | DATE | APP'D |
| A | PROPOSAL DRAWING | NOV18/11 | A.G |
| B | ADD UL FILE NO | JUL22/13 | S.M. |



MOUNTING OPTIONS AVAILABLE FOR PIN OR SOCKET CONNECTOR

LOCATE HOLES
 $\varnothing \varnothing 0.13 [0.005]$
 POSITION DIMENSIONS ARE BASIC



RECOMMENDED PCB LAYOUT (COMPONENT SIDE OF BOARD)

ORDERING CODE:

LCC17 - A3W3 P A - 2 N 0

SERIES

LCC17 = HIGH CURRENT D-SUB

ARRANGEMENT

A = SHELL SIZE
 3W3 = 3 POSITION, 3 POWER

CONNECTOR STYLE

P = PIN
 S = SOCKET

TERMINATION

A = RIGHT ANGLE PCB TAIL
 3.75mm [.148"] DIA;

MOUNTING

2 = 3.10mm [.122] DIA THROUGH HOLE
 4 = #4-40 UNC THREAD WITH BRACKET

FILTER CAPACITANCE

N = NO FILTERS

MODIFIER

0 = STANDARD

NOTES:

- MATERIALS: ALL MATERIALS ARE RoHS COMPLIANT PER EU DIRECTIVE 2011/65/EU AND AMENDMENTS.
 - SHELLS: STAMPED STEEL, TIN OVER NICKEL PLATED
 - INSULATOR: ENGINEERING THERMOPLASTIC, GLASS REINFORCED, HIGH TEMPERATURE RESISTANT, UL FLAMMABILITY RATING 94V-0, BLACK
 - PIN CONTACTS: COPPER ALLOY PLATED WITH 0.76µm (30µ") GOLD OVER 1.27µm (50µ") NICKEL
 - SOCKET CONTACTS: BERYLLIUM COPPER MATING GRID, COPPER ALLOY BALANCE PLATED WITH 0.76µm (30µ") GOLD OVER 1.27µm (50µ") NICKEL ON THE MATING AREA
 - BOARDLOCK: COPPER ALLOY, TIN PLATED
 - MOUNTING HARDWARE: STEEL OR COPPER ALLOY, TIN OR NICKEL PLATED
- ELECTRICAL CHARACTERISTICS
 - CURRENT RATING: 55 A PER CONTACT
 - CONTACT RESISTANCE: 0.25 MILLIOHMS MAX
 - DIELECTRIC WITHSTANDING VOLTAGE: 1500V DC
 - OPERATING TEMPERATURE: -40 °C TO +105 °C
- UL FILE NUMBER E64911.

| | | | |
|----------------------------|------------------------|-----------|----------|
| UNLESS SPECIFIED OTHERWISE | DRAWN | S.CAELERS | NOV16/11 |
| PRIMARY UNITS MILLIMETERS | CHECKED | | |
| SECONDARY UNITS INCHES | M.E. APP'D | | |
| REFERENCE IN PARENTHESES | Q.A. APP'D | | |
| GENERAL TOLERANCES | DWG APPR. | A.GREEN | NOV18/11 |
| 1 DECIMAL PLACE | ENG. REL. NO. | | |
| 2 DECIMAL PLACES | REF. | | |
| 3 DECIMAL PLACES | THIRD ANGLE PROJECTION | | |
| ANGULAR DEGREES | DO NOT SCALE DRAWING | | |

Amphenol Canada Corp.
 www.amphenolcanada.com
LCC17 COOLPOWER D-SUB CONNECTOR, 3W3 ARRANGEMENT, 3.75mm [.148"] R/A PCB TAIL, RoHS COMPLIANT

DWG. NO. **P-LCC17-A3W3XA-XN0** REV **B**

CODE ID NO. 03554 DWG SIZE: X SCALE: 3:1 SHEET 1 OF 1