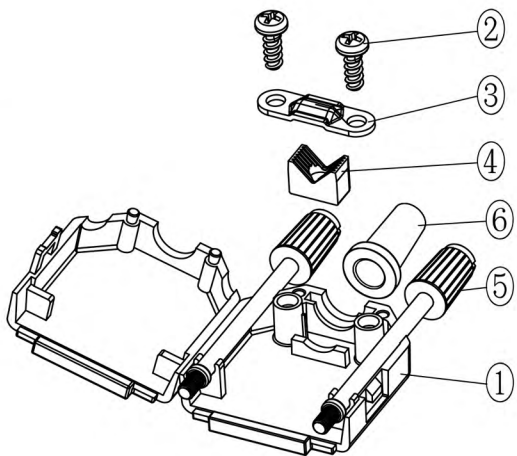
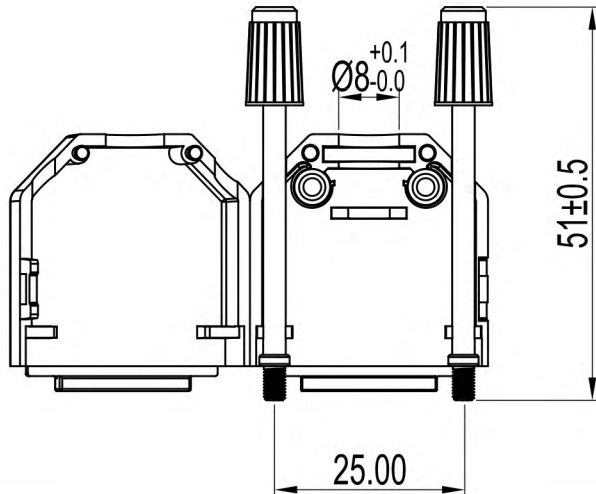
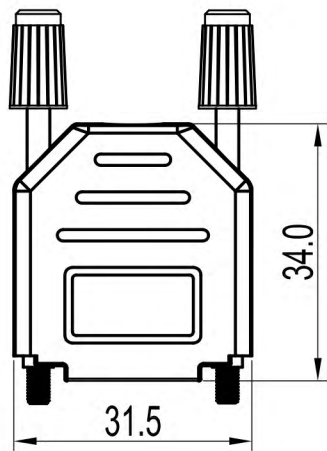
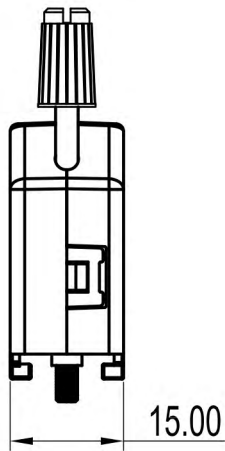


A  
B  
C  
D  
E  
F  
G  
H

A  
B  
C  
D  
E  
F  
G  
H



Item	QTY	Part description
1	1	Plastic Cover
2	2	EPS 3x8 Self Tapping Screw
3	1	Cable Clamp
4	1	Plastic Insert
5	2	Jackscrews UNC4-40x51mm
6	1	Rubber Grommet



**TECHNICAL SPECIFICATIONS**  
 Material: Plastic (PA), UL94-HB  
 Colour: Black  
 Operating Temperature: -55°C to +110°C  
 Thumbscrews: UNC 4-40  
 No. of contacts: 09-15-25-37-50

**RoHS compliant**  
 Unit: mm

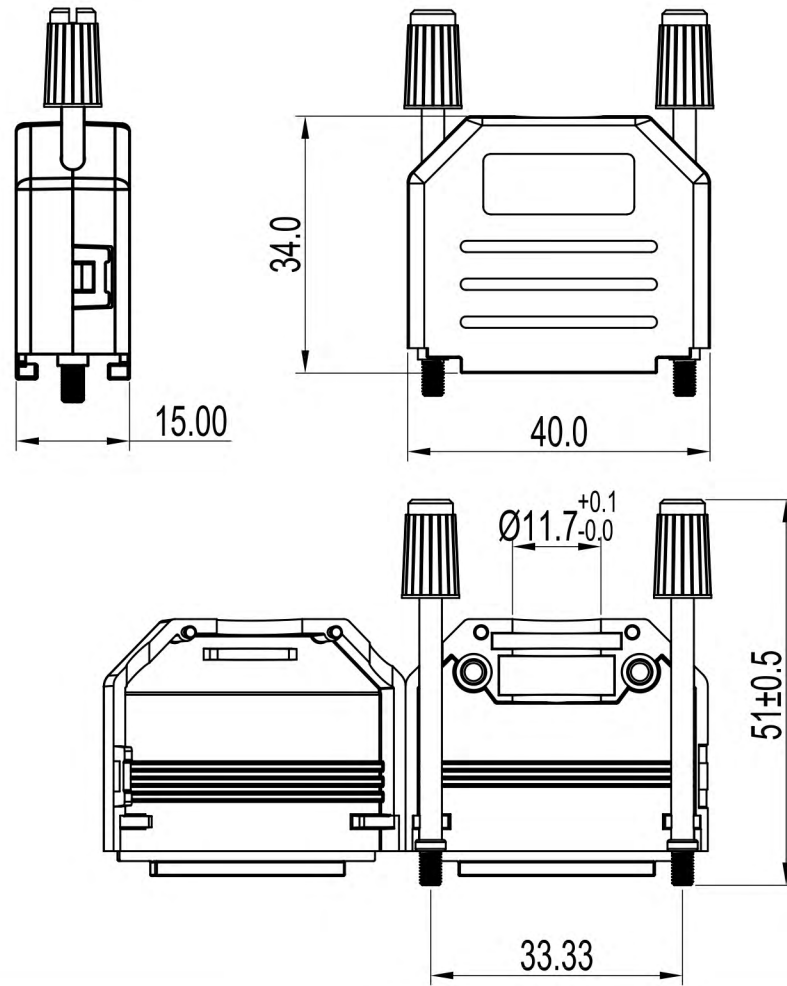
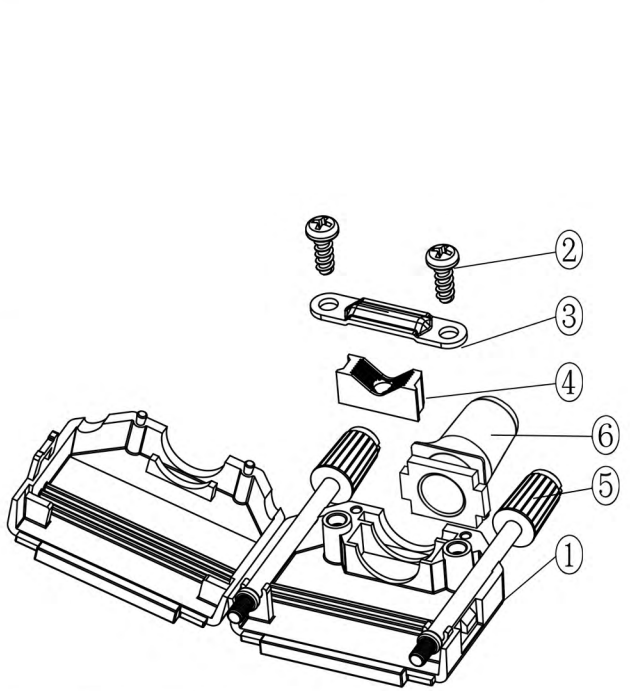
Scale	Free				Date	Name	Customer-No.
TOLERANCE					Drawn	17.08.2017	S.Bölling
0~6	±0.10				Approved	17.08.2017	S.Bölling
6~30	±0.20						
30~120	±0.30						
120~400	±0.50						
DIM	Tol						
Angle	±1°	©	Drawn	17.08.2017	S.Bölling		
Angle	Tol	Id.	Modification	Date	Name		



Customer-No.		
ASSMANN WSW-No.		ACOVSUB-09NB9
Drawing-No.	ASS_5250_CO	rev00
Replace		Sheet 1/5

A  
B  
C  
D  
E  
F  
G  
H

A  
B  
C  
D  
E  
F  
G  
H



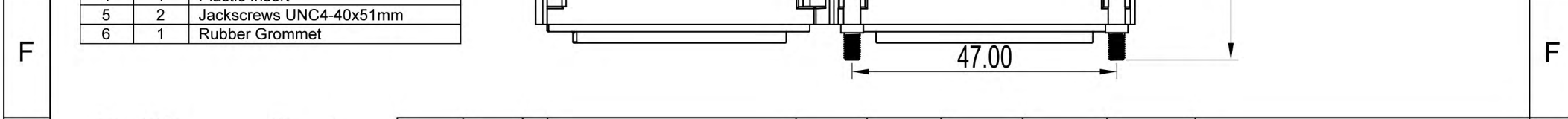
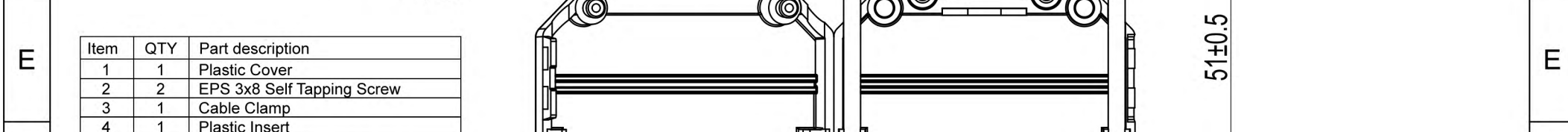
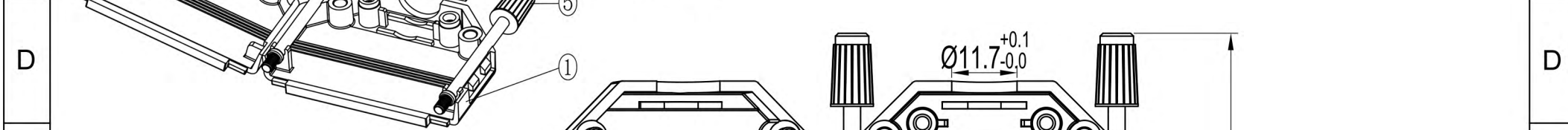
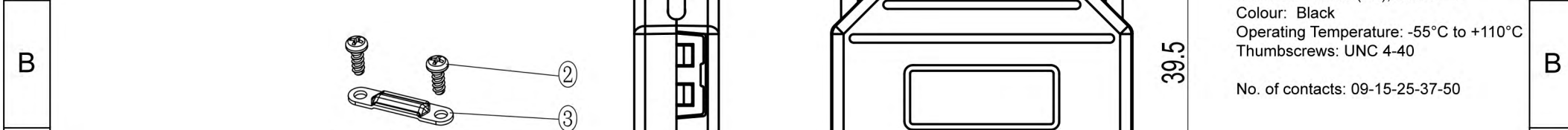
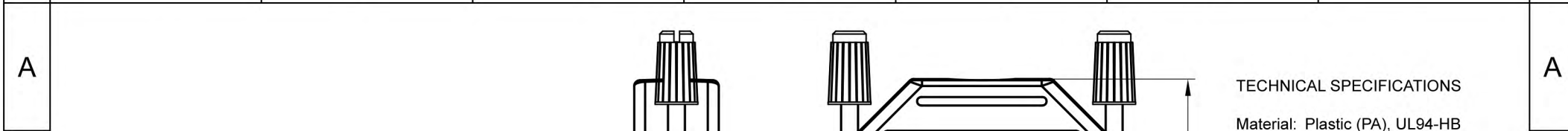
**TECHNICAL SPECIFICATIONS**  
 Material: Plastic (PA), UL94-HB  
 Colour: Black  
 Operating Temperature: -55°C to +110°C  
 Thumbscrews: UNC 4-40  
 No. of contacts: 09-15-25-37-50

Item	QTY	Part description
1	1	Plastic Cover
2	2	EPS 3x8 Self Tapping Screw
3	1	Cable Clamp
4	1	Plastic Insert
5	2	Jackscrews UNC4-40x51mm
6	1	Rubber Grommet

**RoHS compliant**  
 Unit: mm

Scale	Free				Date	Name	Customer-No.	
<b>TOLERANCE</b>					Drawn	17.08.2017	S.Bölling	
0~6	±0.10				Approved	17.08.2017	S.Bölling	
6~30	±0.20							
30~120	±0.30							
120~400	±0.50							
DIM	Tol							
Angle	±1°	Ⓒ	Drawn	17.08.2017				S.Bölling
Angle	Tol	Id.	Modification	Date				Name

ASSMANN WSW-No. <b>ACOV-SUB-15NB9</b>	
Drawing-No. <b>ASS_5250_CO</b>	rev00
Replace	Sheet 2/5



Item	QTY	Part description
1	1	Plastic Cover
2	2	EPS 3x8 Self Tapping Screw
3	1	Cable Clamp
4	1	Plastic Insert
5	2	Jackscrews UNC4-40x51mm
6	1	Rubber Grommet

**TECHNICAL SPECIFICATIONS**  
 Material: Plastic (PA), UL94-HB  
 Colour: Black  
 Operating Temperature: -55°C to +110°C  
 Thumbscrews: UNC 4-40  
 No. of contacts: 09-15-25-37-50

**RoHS compliant**  
 Unit: mm

Scale	Free				Date	Name	Customer-No.
<b>TOLERANCE</b>					Drawn	17.08.2017	S.Bölling
0~6	±0.10				Approved	17.08.2017	S.Bölling
6~30	±0.20						
30~120	±0.30						
120~400	±0.50						
DIM	Tol						
Angle	±1°	Ⓢ	Drawn	17.08.2017	S.Bölling	<b>ASSMANN</b> WSW components	
Angle	Tol	Id.	Modification	Date	Name	ASS_5250_CO	rev00

Customer-No.			
ASSMANN WSW-No.		ACOVSUB-25NB9	
Drawing-No.		ASS_5250_CO	rev00
Replace		Sheet 3/5	



1

2

3

4

5

6

7

A

A

B

B

C

C

D

D

E

E

F

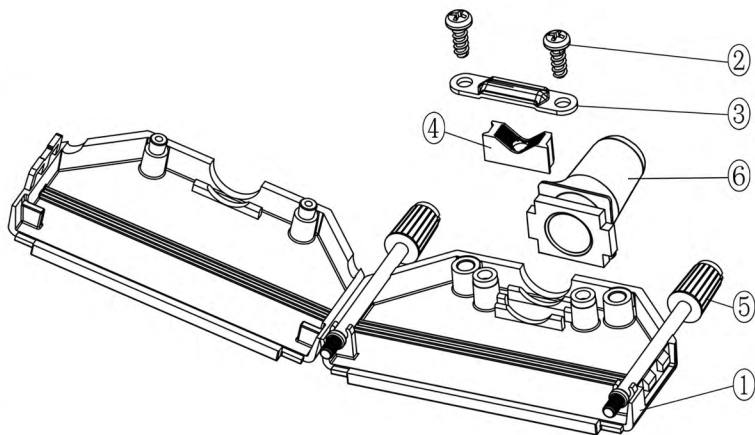
F

G

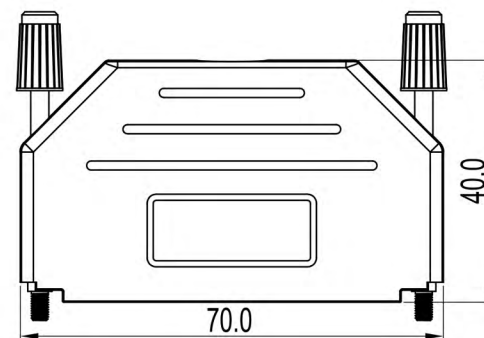
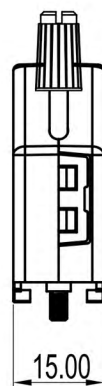
G

H

H



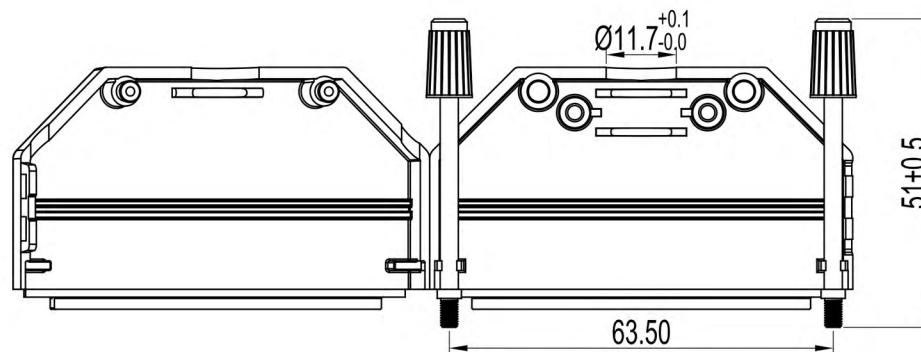
Item	QTY	Part description
1	1	Plastic Cover
2	2	EPS 3x8 Self Tapping Screw
3	1	Cable Clamp
4	1	Plastic Insert
5	2	Jackscrews UNC4-40x51mm
6	1	Rubber Grommet



#### TECHNICAL SPECIFICATIONS

Material: Plastic (PA), UL94-HB  
 Colour: Black  
 Operating Temperature: -55°C to +110°C  
 Thumbscrews: UNC 4-40

No. of contacts: 09-15-25-37-50



**RoHS compliant**  
 Unit: mm

Scale	Free						Date	Name	Customer-No.	
TOLERANCE							Drawn	17.08.2017	S.Bölling	ASSMANN WSW-No. <b>ACOV-SUB-37NB9</b>
0~6	±0.10						Approved	17.08.2017	S.Bölling	
6~30	±0.20									
30~120	±0.30									
120~400	±0.50									Drawing-No.
DIM	Tol									<b>ASS_5250_CO</b>
Angle	±1°	Ⓢ	Drawn				17.08.2017	S.Bölling		rev00
Angle	Tol	Id.	Modification							Sheet 4/5

**ASSMANN**  
 WSW components

Drawing-No.

**ASS\_5250\_CO**

Replace

rev00

Sheet 4/5

1

2

3

4

5

6

7

SV4382

1

2

3

4

5

6

7

A

B

C

D

E

F

A

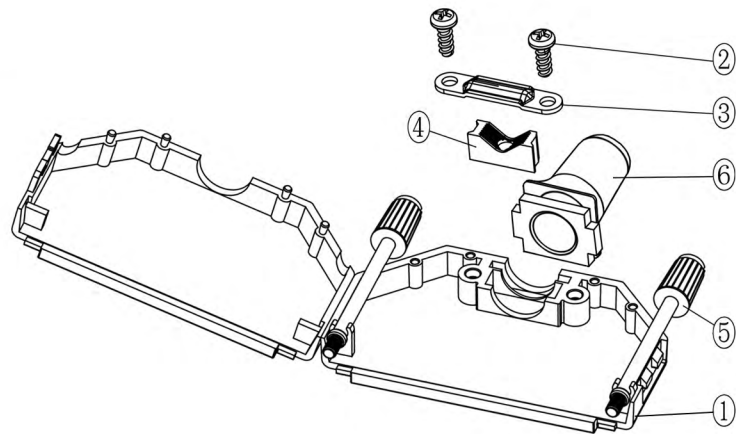
B

C

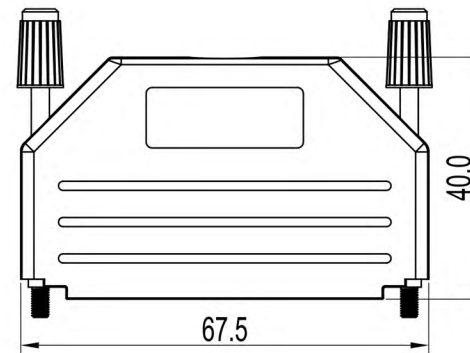
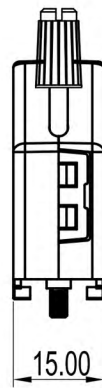
D

E

F



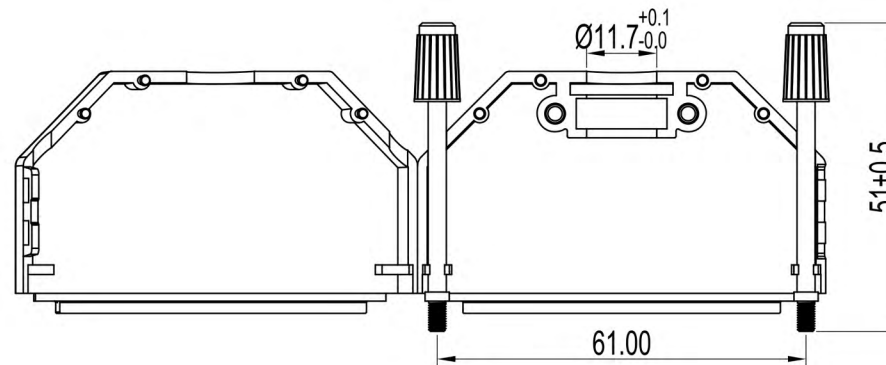
Item	QTY	Part description
1	1	Plastic Cover
2	2	EPS 3x8 Self Tapping Screw
3	1	Cable Clamp
4	1	Plastic Insert
5	2	Jackscrews UNC4-40x51mm
6	1	Rubber Grommet



#### TECHNICAL SPECIFICATIONS

Material: Plastic (PA), UL94-HB  
 Colour: Black  
 Operating Temperature: -55°C to +110°C  
 Thumbscrews: UNC 4-40

No. of contacts: 09-15-25-37-50



**RoHS compliant**  
 Unit: mm

Scale	Free					Date	Name	Customer-No.
TOLERANCE						Drawn	17.08.2017	S.Bölling
0~6	±0.10					Approved	17.08.2017	S.Bölling
6~30	±0.20							
30~120	±0.30							
120~400	±0.50							
DIM	Tol							
Angle	±1°	Ⓢ	Drawn	17.08.2017	S.Bölling			
Angle	Tol	Id.	Modification	Date	Name			

**ASSMANN**  
 WSW components

ASSMANN WSW-No.  
**ACOV-SUB-50NB9**

Drawing-No.  
**ASS\_5250\_CO** rev00  
 Replace Sheet 5/5

1

2

3

4

5

6

7

SV4382