

4

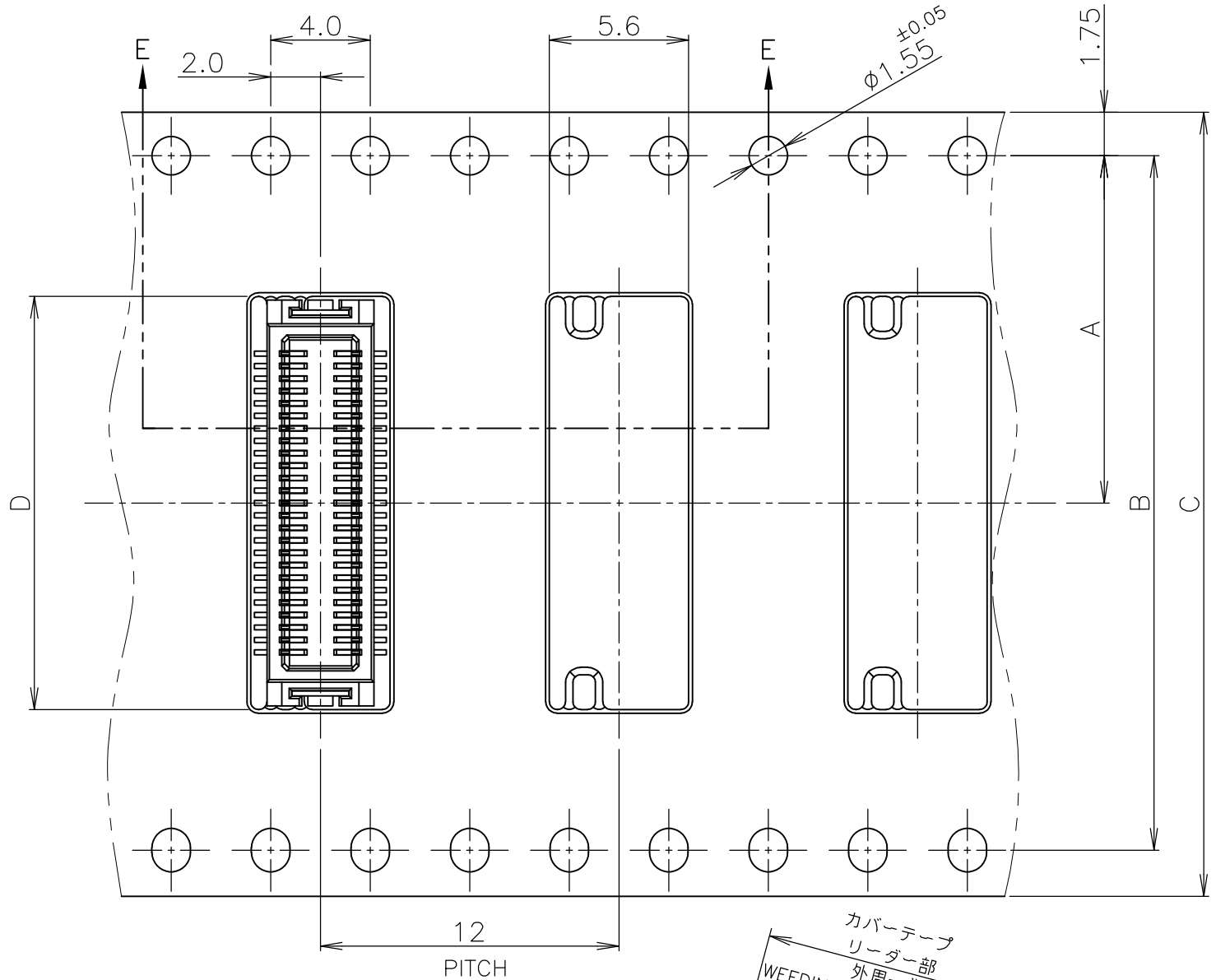
3

2

1

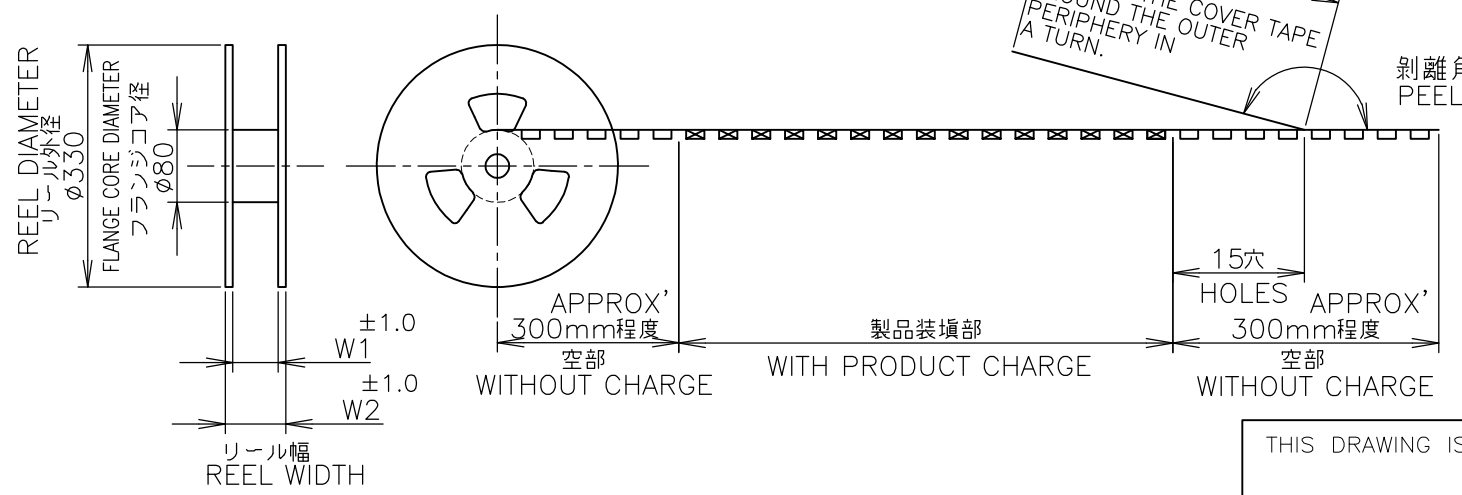
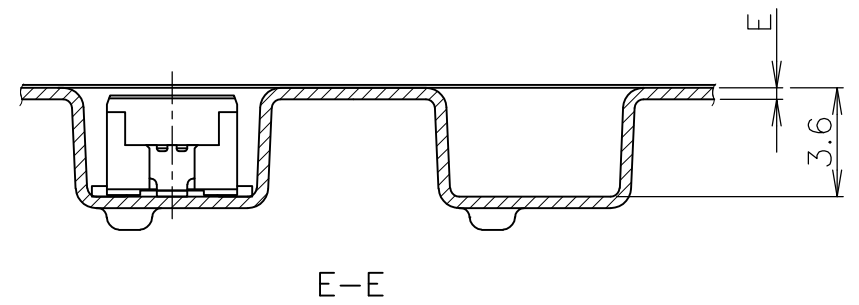
THIS DRAWING IS UNPUBLISHED. RELEASED FOR PUBLICATION APR. 2004.
 © COPYRIGHT 2004 By - ALL RIGHTS RESERVED.

LOC ES	DIST 00	REVISIONS 変更		
P	LTR	DESCRIPTION	DATE	DWN APVD
	A2	RELEASED PER ECR-12-001064	09DEC11	J.J Y.S



テープ幅
TAPE WIDTH

引出し方向
TOP OF REEL
➔



カバーテープ
リーダー部
外周一巻
WEEDING THE COVER TAPE
AROUND THE OUTER
PERIPHERY IN
A TURN.

剥離角度、 $165^{\circ} \sim 180^{\circ}$
PEELING ANGLE.

FOR P/N *-1,-3,-5,-9,
5-*-3,

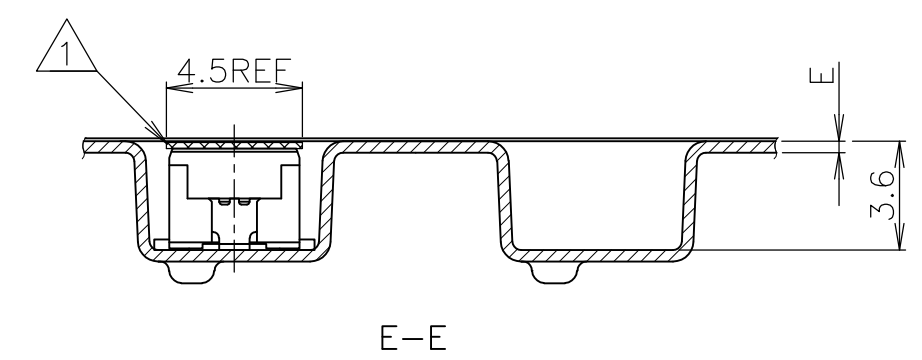
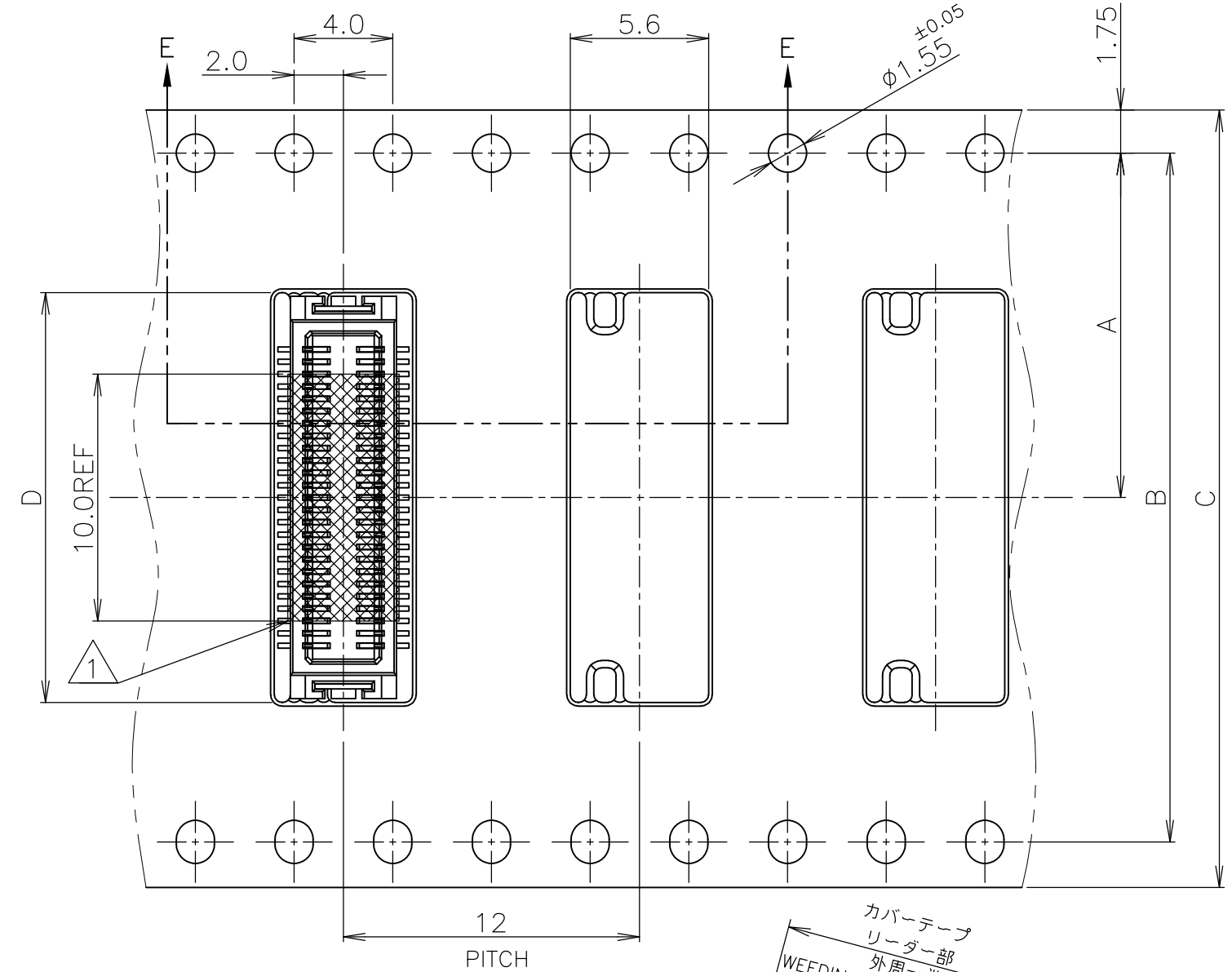
THIS DRAWING IS A CONTROLLED DOCUMENT.

DIMENSIONS: 単位: 耗 MM	TOLERANCES UNLESS OTHERWISE SPECIFIED: 一般公差
	0 PLC ± 0.3 1 PLC ± 0.3 2 PLC ± 0.3 3 PLC ± 0.3 4 PLC ± 0.3 ANGLES ± 3'
MATERIAL 材料	FINISH 仕上

INSTRUCTION SHEET 取扱説明書 411-5808	WIRE RANGE 抱合電線断面積	INSULATION DIA 被覆外径
DWN Y.NAKAZAWA 23APR04	TE Connectivity	
CHK T.KUSUHARA 23APR04		
APVD H.MURAMATSU 23APR04	NAME 名称	
PRODUCT SPEC 製品規格 108-5496	ON TAPING (EMBOSS) 0.5mm PITCH FINE MATE CONN. TAB ASSEMBLY (V-TYPE) (H=4.5)	
APPLICATION SPEC 取付適用規格	SIZE A3	CAGE CODE 00779
WEIGHT	DRAWING NO 番号 C-1565359	RESTRICTED TO
CUSTOMER DRAWING	SCALE 尺度 4:1	SHEET 1 OF 3
		REV A2

THIS DRAWING IS UNPUBLISHED. RELEASED FOR PUBLICATION APR. 2004.
 © COPYRIGHT 2004 By - ALL RIGHTS RESERVED.

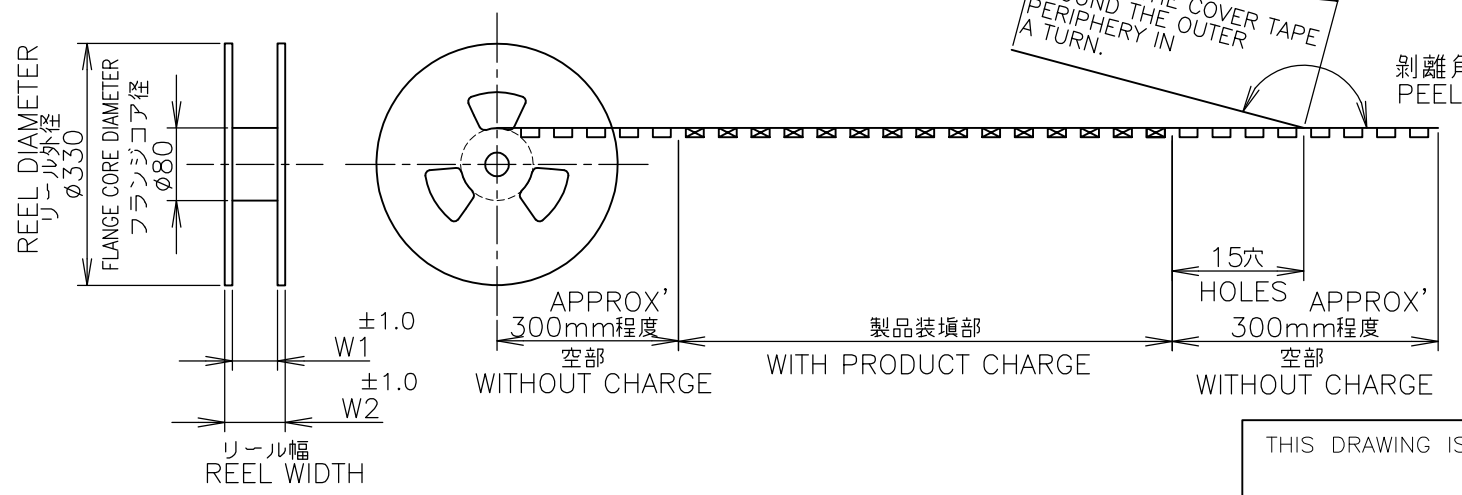
LOC ES	DIST 00	REVISIONS 変更		
P	LTR	DESCRIPTION	DATE	DWN APVD
	-	SEE SHEET 1		



引出し方向
TOP OF REEL
➔

カバーテープ
リーダー部
外周一巻
WEEDING THE COVER TAPE
AROUND THE OUTER
PERIPHERY IN
A TURN.
剝離角度、165°~180°
PEELING ANGLE.

NOTES:
1 POLYIMIDE TAPE FOR PICK AND PLACE.



FOR P/N 1-*-*1

THIS DRAWING IS A CONTROLLED DOCUMENT.

DIMENSIONS: 単位: 耗 MM	TOLERANCES UNLESS OTHERWISE SPECIFIED: 一般公差
	0 PLC ± 0.3
	1 PLC ± 0.3
	2 PLC ± 0.3
	3 PLC ± 0.3
	4 PLC ± 0.3
	ANGLES ± 3'
MATERIAL 材料	FINISH 仕上

INSTRUCTION SHEET 取扱説明書	WIRE RANGE 抱合電線断面積	INSULATION DIA 被覆外径
DWN	STE TE Connectivity	
CHK		
APVD	NAME 名称	
PRODUCT SPEC 製品規格	ON TAPING (EMBOSS) 0.5mm PITCH FINE MATE CONN. TAB ASSEMBLY (V-TYPE) (H=4.5)	
APPLICATION SPEC 取付適用規格	SIZE A3	CAGE CODE 00779
WEIGHT	DRAWING NO 番号 C-1565359	RESTRICTED TO
CUSTOMER DRAWING	SCALE 尺度 4:1	SHEET 2 OF 3
		REV A2

4

3

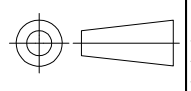
2

1

THIS DRAWING IS UNPUBLISHED. RELEASED FOR PUBLICATION APR , 2004.
 © COPYRIGHT 2004 By - ALL RIGHTS RESERVED.

LOC	DIST	REVISIONS 變更					
ES	00	P	LTR	DESCRIPTION	DATE	DWN	APVD
				SEE SHEET 1			

WITH BOSS	WITHOUT MYLAR																		
		50.5	45.5	0.4	24.1	44	40.4	20.2	1000	80	5-1565360-3	5-1565359-3							
WITHOUT BOSS	WITH MYLAR	49.5	45.5	0.38	29.1	44	40.4	20.2	1000	100	1-1565360-1	1-1565359-1							
	WITHOUT MYLAR	20.2	17.5	0.4	9.1	16	+-	7.5	1000	20	1565360-9	1565359-9							
		36.7	33.5	0.4	19.1	32	28.4	14.2	1000	60	1565360-5	1565359-5							
		50.5	45.5	0.4	24.1	44	40.4	20.2	1000	80	1565360-3	1565359-3							
		49.5	45.5	0.38	29.1	44	40.4	20.2	1000	100	1565360-1	1565359-1							
BOSS	MYLAR	W2	W1	E	D	C	B	A	QTY/REEL	POS	CONNECTOR P/N	TAPING P/N							

THIS DRAWING IS A CONTROLLED DOCUMENT.		DWN	STE TE Connectivity	
		CHK		
DIMENSIONS: 單位: 耗 MM	TOLERANCES UNLESS OTHERWISE SPECIFIED: 一般公差	APVD	NAME 名稱	
	0 PLC ± 0.3	PRODUCT SPEC 製品規格	ON TAPING (EMBOSS) 0.5mm PITCH FINE MATE CONN. TAB ASSEMBLY (V-TYPE) (H=4.5)	
	1 PLC ± 0.3	APPLICATION SPEC 取付適用規格		
MATERIAL 材料	FINISH 仕上	WEIGHT	SIZE	CAGE CODE
		A3		00779
		G-		1565359
		CUSTOMER DRAWING		RESTRICTED TO
		SCALE 尺度 4:1		SHEET 3 OF 3
				REV A2