

4

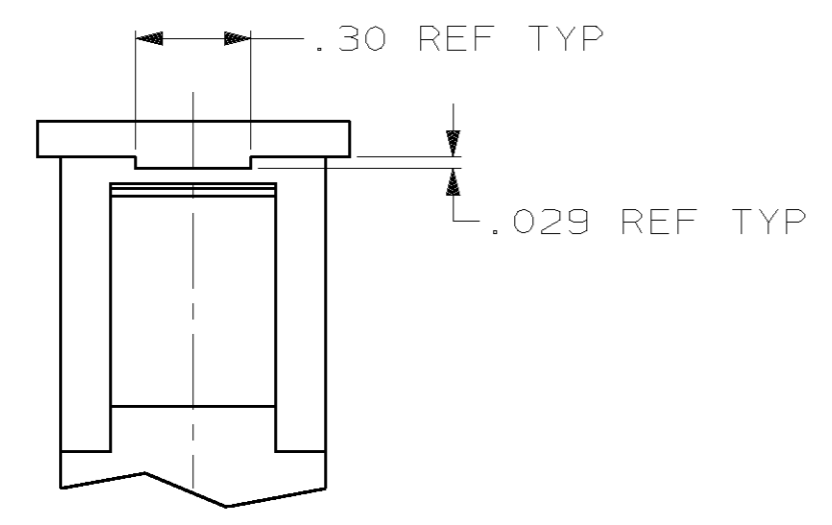
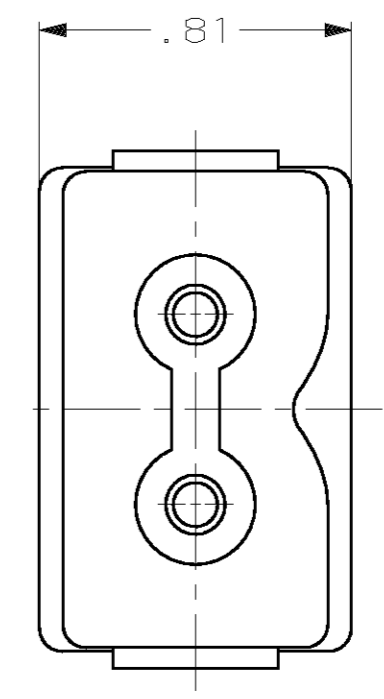
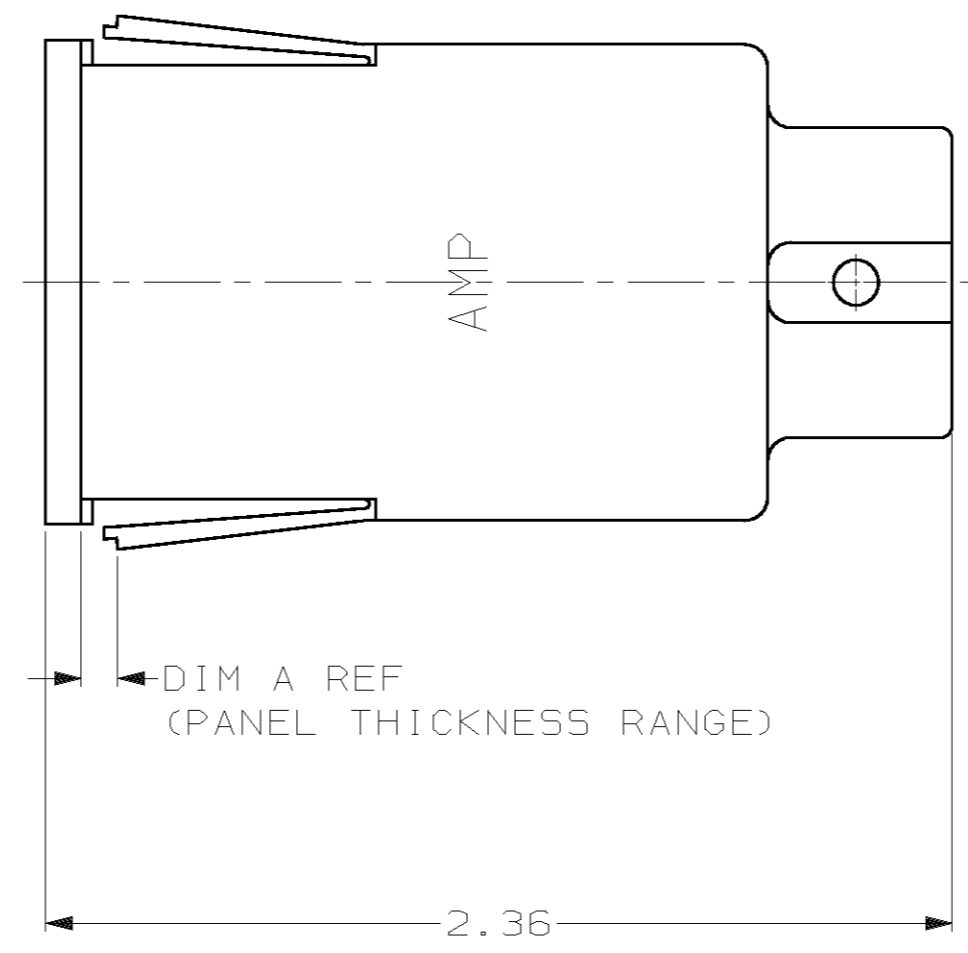
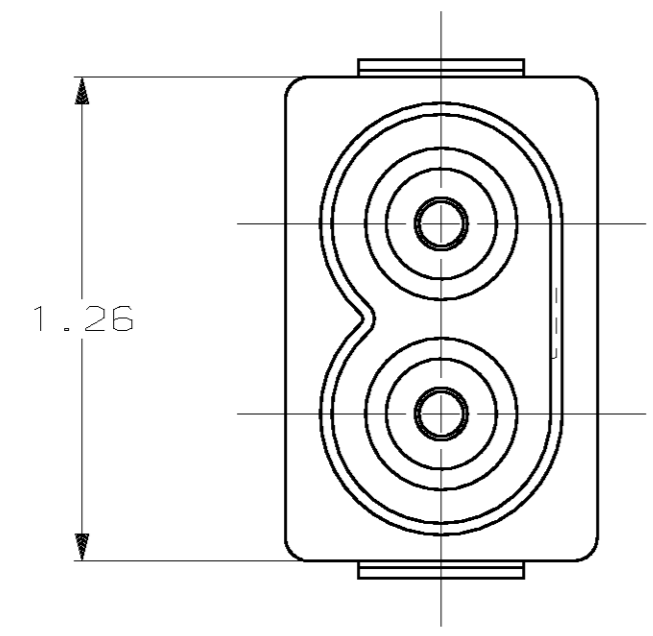
3

2

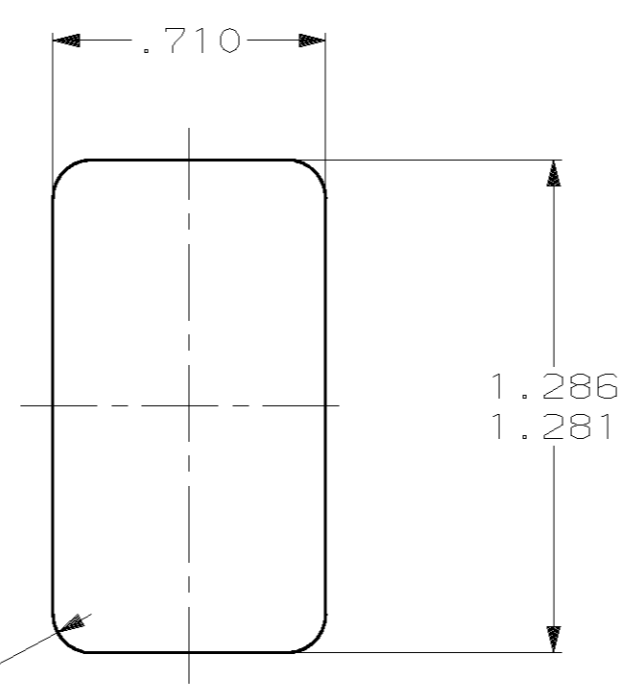
1

THIS DRAWING IS UNPUBLISHED. RELEASED FOR PUBLICATION ,19 .  
 (C) COPYRIGHT 19 BY AMP INCORPORATED. ALL RIGHTS RESERVED.

LOC	DIST	REVISIONS			
P	LTR	DESCRIPTION	DATE	DWN	APVD
DF	50				
		D	REV PER 063D-0181-03	4-03	CT DE



.30 TAB ON ALL  
DASH NUMBERS EXCEPT -2



RECOMMENDED  
PANEL CUTOUT

	.051-.065	862382-9
	.051-.065	862382-8
	.051-.065	862382-7
	.082-.096	862382-6
OBsolete	.024-.038	862382-5
	.051-.065	862382-4
	.082-.096	862382-3
	.024-.038	862382-2
	.051-.065	862382-1
	DIM A	PART NO.

THIS DRAWING IS A CONTROLLED DOCUMENT.		DWN	C.C. THOMAS	4-21-03	 TYCO Electronics Harrisburg, PA 17105-3608
DIMENSIONS:		CHK	D.EABY	4-21-03	
INCHES		APVD	D.EABY	4-21-03	
		PRODUCT SPEC			
TOLERANCES UNLESS OTHERWISE SPECIFIED: 0 PLC ±- 1 PLC ±- 2 PLC ±.03 3 PLC ±.015 4 PLC ±- ANGLES ±-		APPLICATION SPEC			RECEPTACLE HOUSING, 2 CAVITY, LGH
MATERIAL	VALOX	COLOR	BLACK	WEIGHT	-
CUSTOMER DRAWING		SCALE	2:1	SHEET	1 OF 1
		SIZE	A2	CAGE CODE	00779
		DRAWING NO	862382	RESTRICTED TO	-
		REV	D		