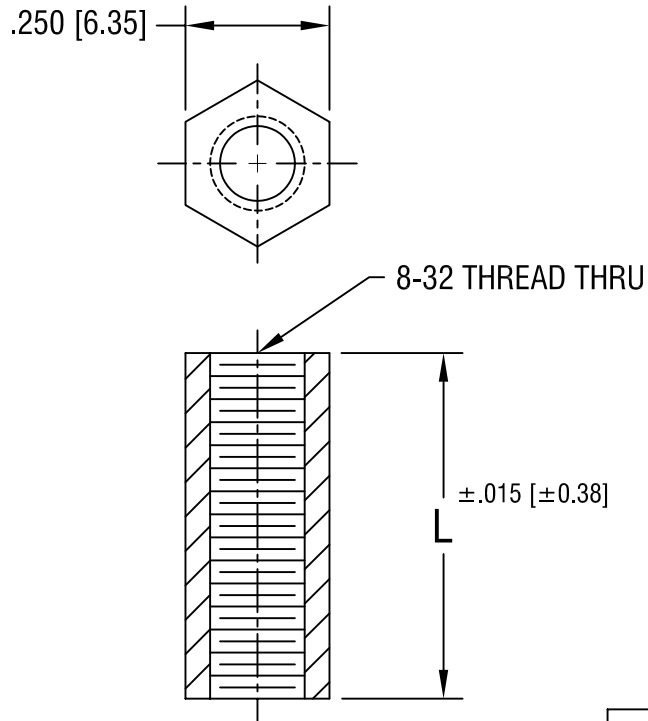


THIS DOCUMENT IS THE PROPERTY OF KEYSTONE ELECTRONICS CORP. AND SHALL NOT BE REPRODUCED, DISTRIBUTED OR USED AS A BASIS FOR MANUFACTURE WITHOUT PRIOR WRITTEN PERMISSION FROM KEYSTONE ELECTRONICS CORP.



PART NO.	'L' DIM.
1904A	.250 [6.35]
1904B	.375 [9.52]
1904C	.500 [12.70]
1904F	.625 [15.87]
1904D	.750 [19.05]
1904G	.875 [22.22]
1904E	1.000 [25.4]

KEYSTONE ELECTRONICS CORP.			
ASTORIA, N.Y. 11105-2017			
PART NAME			
HEX THREADED STANDOFF			
MATERIAL			
NYLON 6/6			
FINISH		DRN BY	DATE
-		BOONE	7.28.82
		APPD	SCALE
		LN	3X
TOLERANCES	INCH [MM]	CODE	DWG NO.
DECIMAL	± .005 [± 0.15]	C/M	1904-
ANGULAR	± 1°		
UNLESS OTHERWISE SPECIFIED			

5.5.93	ADDED P/NS 1904-F & 1904-G	A
DATE	DESCRIPTION	REV.