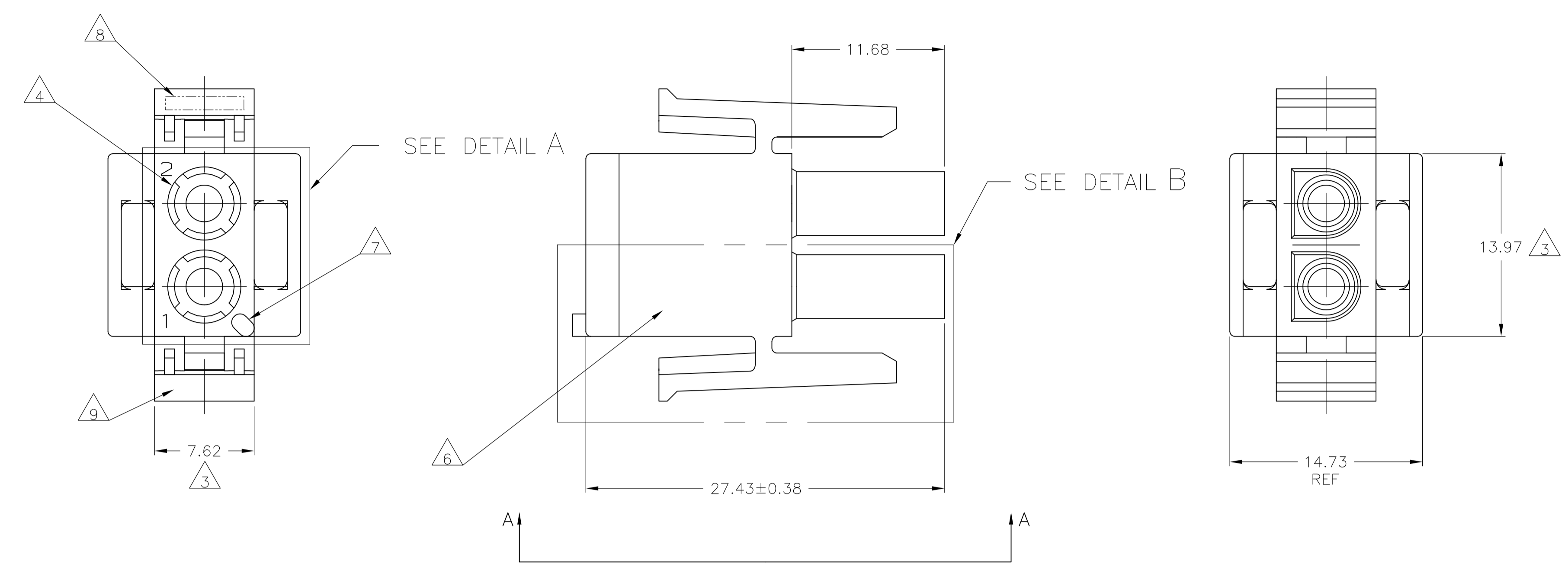
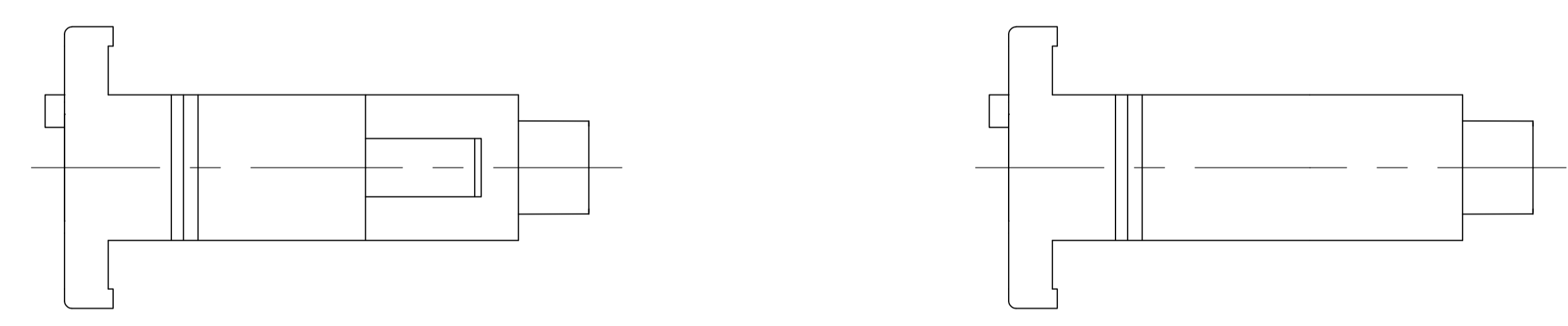


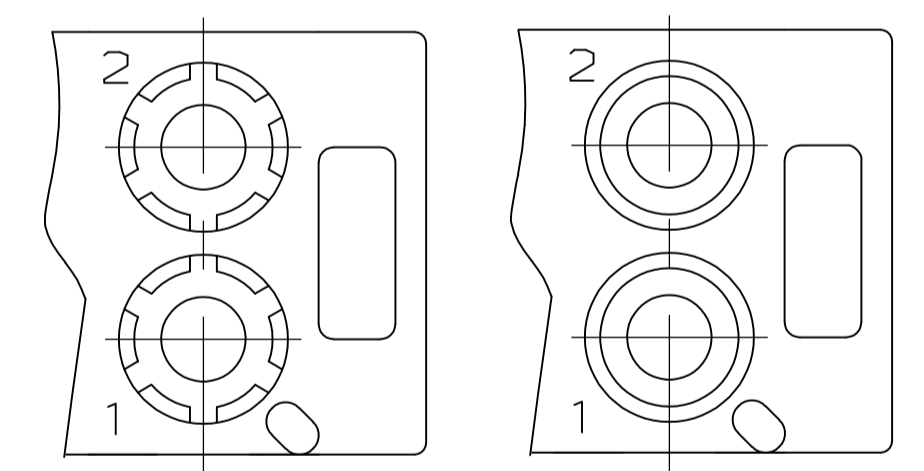
LOC		DIST		REVISIONS			
P	LTR	DESCRIPTION	DATE	DWN	APVD		
CM	0						
AB3		REVISED PER ECO-11-004587	11MAR11	RK	HMR		



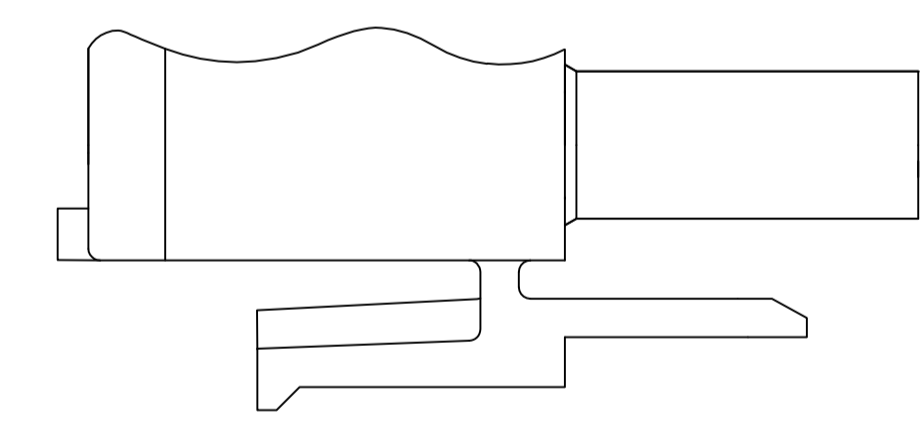
- MATES WITH APPROPRIATE UNIVERSAL MATE-N-LOK™ CAP OR HEADER.
- SMALL NICKS ARE PERMITTED ON THE CIRCUIT TOWERS WHICH COULD INCREASE THE INITIAL HOUSING MATING FORCE BY UP TO 4.4 NEWTONS [1.0] LBS. NO INDIVIDUAL NICKED TOWER SHALL INCREASE THIS FORCE BY OVER 2.2 NEWTONS [.5] LBS.
- DIMENSION INDICATED IS AS MOLDED. ADDITIONAL GROWTH DUE TO SUBSEQUENT MOISTURE ABSORPTION MAY OCCUR.
- FOUR RIBS EQUALLY SPACED, NO SPECIFIC ORIENTATION, NO RIBS OR SIX RIBS EQUALLY SPACED, NO SPECIFIC ORIENTATION, OPTIONAL.
- NOT MANUFACTURED IN U.S.
- UNDERWRITERS RECOGNIZED COMPONENT LOGO AND CSA CERTIFICATION LOGO TO BE LOCATED ONCE ON ANY SIDE OF HOUSING.
- POSITION #1 LOCATOR FEATURE MAY BE ROUND OR OBLONG (AS DEPICTED).
- TRADEMARK LOCATION (AMP OR TE CONNECTIVITY).
- MANUFACTURING LOCATION ID (OPTIONAL).



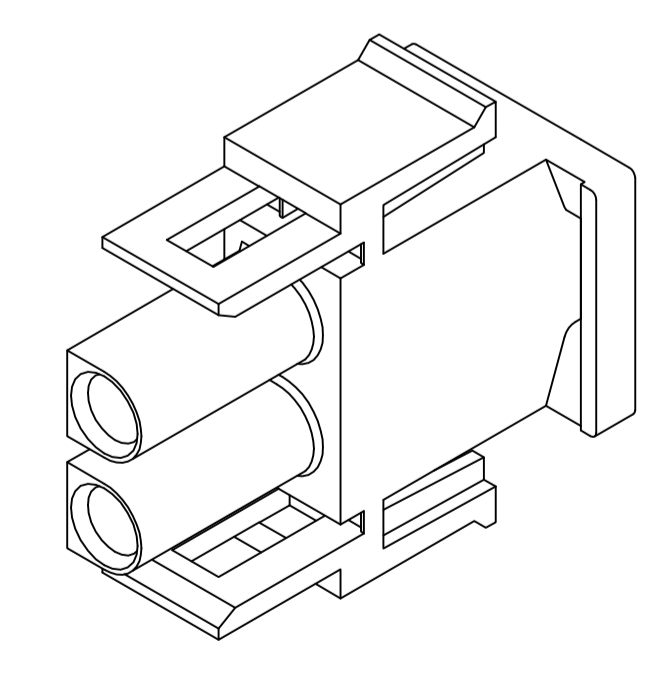
VIEW A-A
350777-4 ONLY



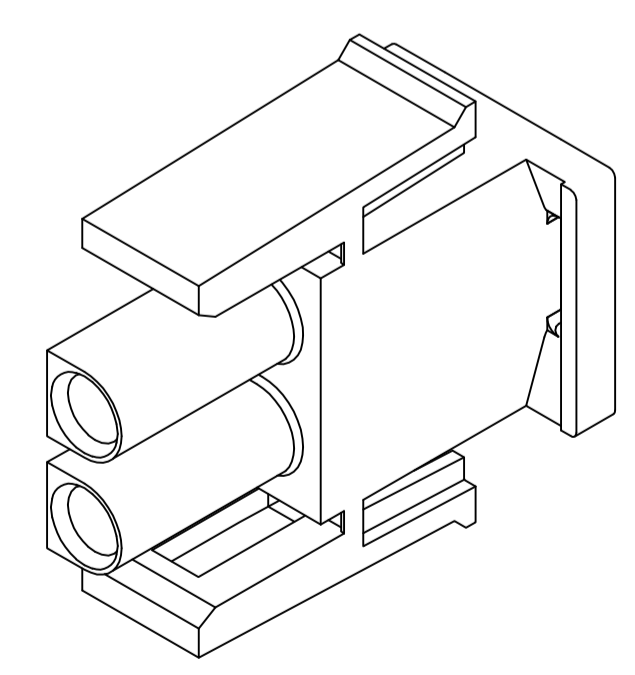
DETAIL A
OPTIONAL CONSTRUCTION



DETAIL B
350777-4 ONLY



350777-4 3-DIMENSIONAL MODEL
NTS

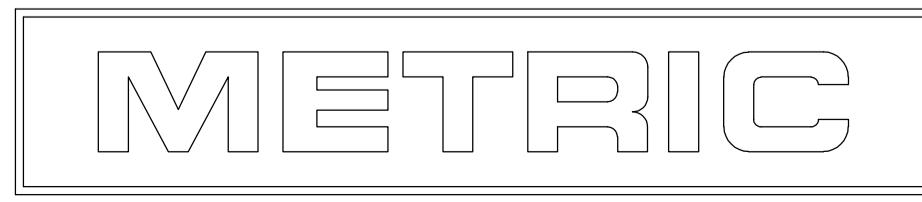


3-DIMENSIONAL MODEL
NTS

MM	IN
27.43	1.080
14.73	.580
13.97	.550
11.68	.460
7.62	.300
0.38	.015
0.13	.005

CONVERSION TABLE

BLACK	1-350777-9
GRAY	1-350777-8
BLUE	1-350777-6
GREEN	1-350777-5
YELLOW	1-350777-4
ORANGE	1-350777-3
RED	1-350777-2
BROWN	1-350777-1
	350777-4
NATURAL	350777-1
COLOR	PART NUMBER



THIS DRAWING IS A CONTROLLED DOCUMENT.

DIMENSIONS:	TOLERANCES UNLESS OTHERWISE SPECIFIED:	DIN R VESTAL 24JAN95	APVD D SELF 24JAN95	NAME	PLUG, 2 CIRCUIT, UNIVERSAL MATE-N-LOK(TM)
mm	0. PLC ± - 1. PLC ± - 2. PLC ± 0.13 3. PLC ± - 4. PLC ± - ANGLES ± 0°30'	CHK R SWING 24JAN95	PRODUCT SPEC	SIZE	A1
MATERIAL	FINISH	WEIGHT	SCALE	CAGE CODE	DRAWING NO
NYLON,	-	-	4:1	00779	350777

CUSTOMER DRAWING SHEET 1 OF 1 REV AB3