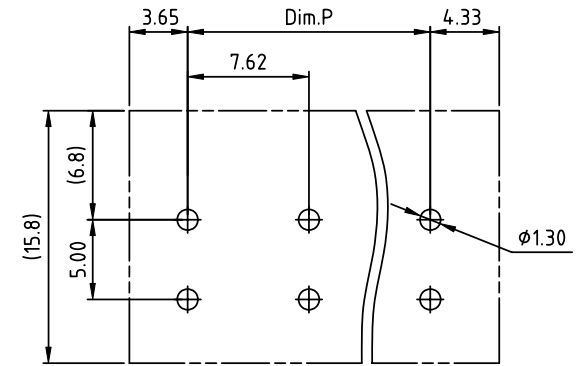
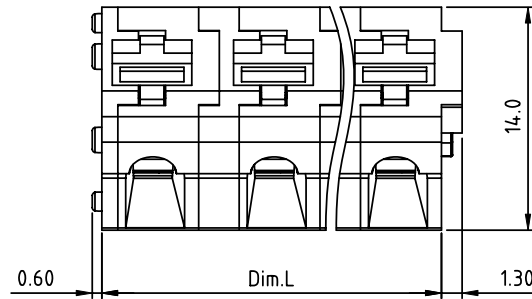
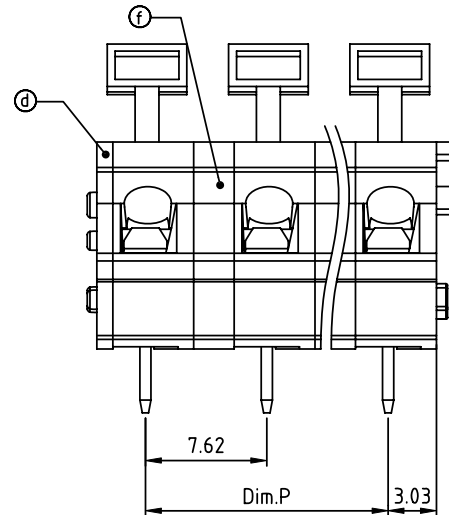
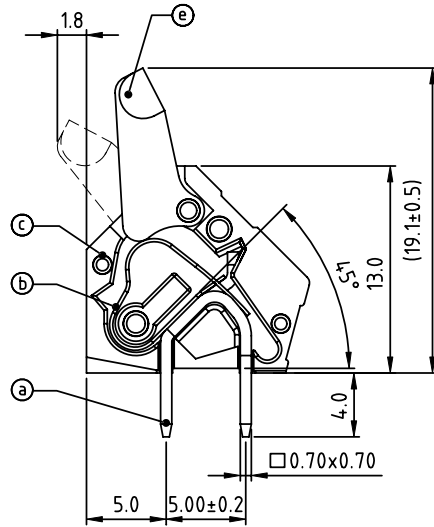


PRODUCT NUMBER	PITCH
HTxx50x000JOG	7.62mm



RECOMMENDED P.C.B LAYOUT
TOP VIEW



Material:

- Item@ Solder pin: Brass, Tin plated
- ItemⓁ Wire guard: Stainless steel
- ItemⒸ Terminal housing: Thermoplastic (UL94V-0)
- ItemⓍ Terminal cover: Thermoplastic (UL94V-0)
- ItemⓈ Terminal lever: Thermoplastic (UL94V-HB)
- ItemⓉ Pad board: Thermoplastic (UL94V-0)

Electrical

- Voltage rating: 300V
- Current rating: 15A
- Wire range:
- Solid wire(AWG): 12-28
- Stranded wire(AWG): 12-28
- Wire strip length: 6-7mm
- Withstanding Voltage: 1.6KV
- Operating temperature: -40°C to +115°C
- Soldering temperature: 260°C±5°C/5 Sec
- Safety Approval: cULus

cULus

Dim.P=(N-1)×7.62
Dim.L=(N-1)×7.62+6.08
N=Number of poles

POLES	Dim.L	Dim.P
2p-6p	±0.25	±0.25
7p-12p	±0.30	±0.30
12p-16p	±0.40	±0.35

PART NO.: HT xx 50 x 000JOG

No. of poles	Body Color	RoHS compliant
0	Black (RAL9005)	(lead<4%)
End Stackable	2 Red (RAL3001/D)	In copper Alloy
02	2 poles 3 Orange(RAL2011/P)	
03	3 poles 4 Yellow(RAL1018/A)	
...	5 Green(RAL6018/T)	
16	16 poles 6 Blue (RAL5015/A)	
	8 Grey(RAL7004/P)	
	9 White(RAL1102)	
	C Multiple colors	

mat'l. code		surface ASME Y14.5	tolerance ASME Y14.5	projection	product family
ltr ecn no dr date		tolerances unless otherwise specified		⊕	TERMINAL BLOCK
		angles	X.±0.5	MM	title
		fil	X.X±0.3		TERMINAL BLOCK
		X*±1°	X.XX±0.1	scale	SPRING CLAMP,45D WIRE INLET
		dr	EVIN ZHONG 052814	FCI	dwg no
		enr	EVIN ZHONG 052814		sheet 1 of 1
		chr	HANKE FENG 052814		size
		appd	SHI JUN 052814		A4
sheet index	revision sheet	A			type CUSTOMER Drawing