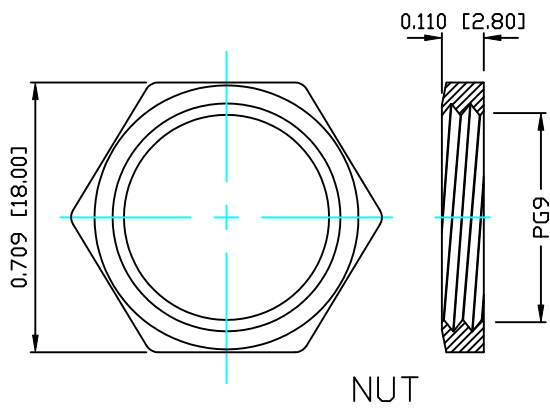
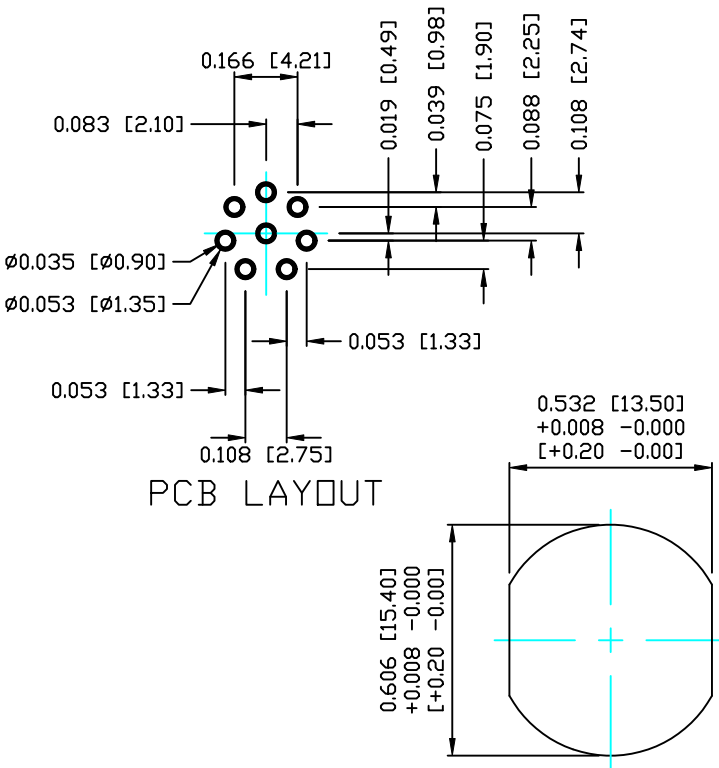


DESCRIPTION: M12 MALE - BOARD MOUNT - 8 POS.



**NOTE:**

**MATERIAL**

HOUSING: PBT UL94V-0, BLACK  
 CONTACT: BRASS  
 SHELL: BRASS  
 NUT: BRASS  
 O-RING: EPDM, BLACK

**FINISH**

CONTACT: GOLD PLATED OVER 50µ" NICKEL  
 SHELL: NICKEL PLATED  
 NUT: NICKEL PLATED

**ELECTRICAL:**

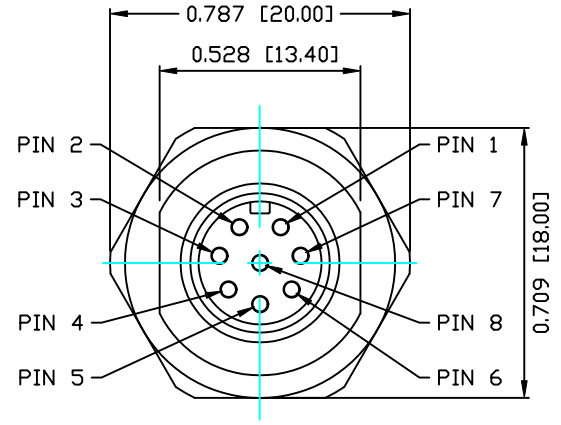
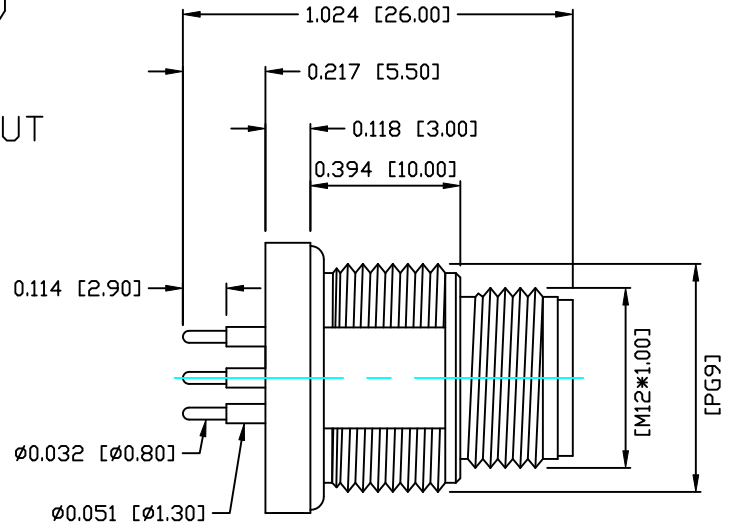
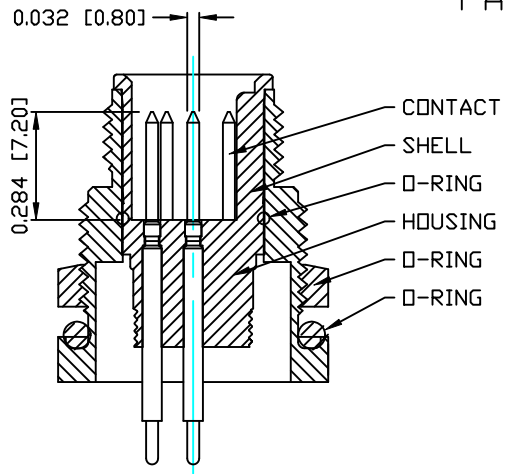
RATED CURRENT: 5A  
 RATED VOLTAGE: 125V  
 INSULATION RESISTANCE: 100 mΩhms MIN.  
 CONTACT RESISTANCE: 10 MΩhms MAX.  
 WATER PROOF: IP67

**ENVIRONMENT:**

OPERATION TEMPERATURE: -40°C TO +80°C

**860-008-113R00Y**

1 = GOLD FLASH  
 4 = 10µ" GOLD



**RoHS COMPLIANT**

**DO NOT SCALE FROM DRAWING**

	THESE DRAWINGS AND SPECIFICATIONS ARE THE PROPERTY OF NorComp AND SHALL NOT BE REPRODUCED, COPIED OR USED AS THE BASIS FOR THE MANUFACTURE OR SALE OF APPARATUS WITHOUT WRITTEN PERMISSION.	DRAWN: <b>M. SIGMON</b>	DATE: <b>09-05-14</b>	<b>NorComp</b>	SCALE: <b>N.T.S.</b>	SHEET <b>1</b>	OF <b>1</b>	REV <b>1</b>
		CHECKED:	DATE:		DWG NO. <b>860-008-113R00Y</b>			