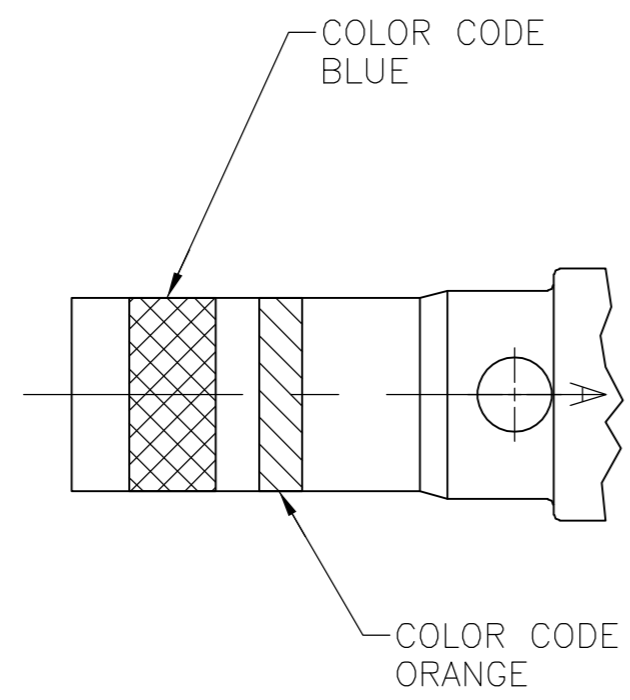
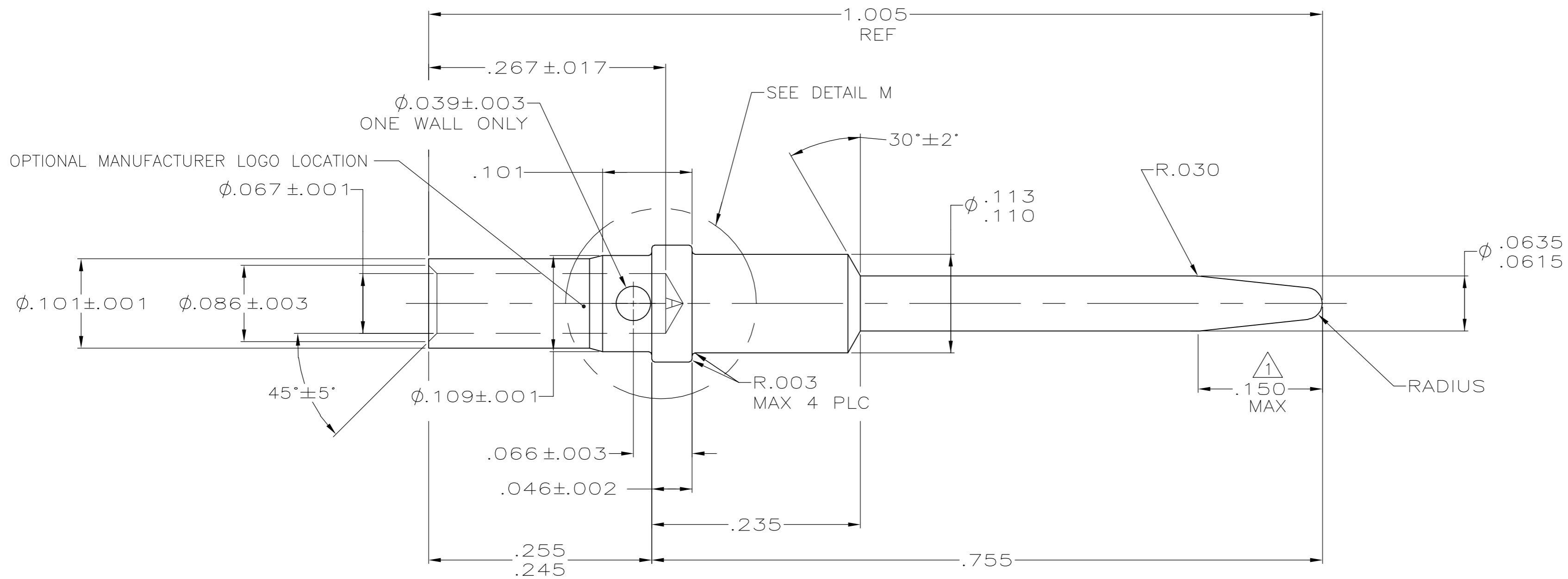


THIS DRAWING IS UNPUBLISHED. RELEASED FOR PUBLICATION
 © COPYRIGHT BY TYCO ELECTRONICS CORPORATION. ALL RIGHTS RESERVED.

LOC		DIST		REVISIONS			
P	LTR	DESCRIPTION	DATE	DWN	APVD		
DF	A0	F	REV PER EC 0H14-0154-04	24JAN06	TK	CT	

- ① ELECTRICAL ENGAGEMENT POINT
- ② AS SHOWN
- ③ SAME AS -2 EXCEPT:
COLOR CODE PER DETAIL Z



DETAIL Z
(APPLIES TO -3 ONLY)

③	208268-5
②	208268-3
②	208268-2
DESCRIPTION	PART NUMBER
	PIN CONTACT, SIZE 16 ARINC 600 TYPE

THIS DRAWING IS A CONTROLLED DOCUMENT.		DWN C.C.THOMAS 8-20-04	tyco Electronics Tyco Electronics Corporation Harrisburg, PA 17105-3608	
DIMENSIONS: INCHES		CHK S.GLATFELTER 8-20-04	NAME	
TOLERANCES UNLESS OTHERWISE SPECIFIED:		APVD S.GLATFELTER 8-20-04	SIZE CAGE CODE DRAWING NO RESTRICTED TO	
0 PLC ± -	1 PLC ± -	PRODUCT SPEC	A2 00779 C=208268	-
2 PLC ± -	3 PLC ± .005 [0.13]	APPLICATION SPEC	SCALE 10:1	SHEET 1 of 1
4 PLC ± -	ANGLES ± -	WEIGHT -	CUSTOMER DRAWING	REV F
MATERIAL COPPER ALLOY	FINISH GOLD PER ASTM-B-488 OVER NICKEL PER QQ-N-290			

208268