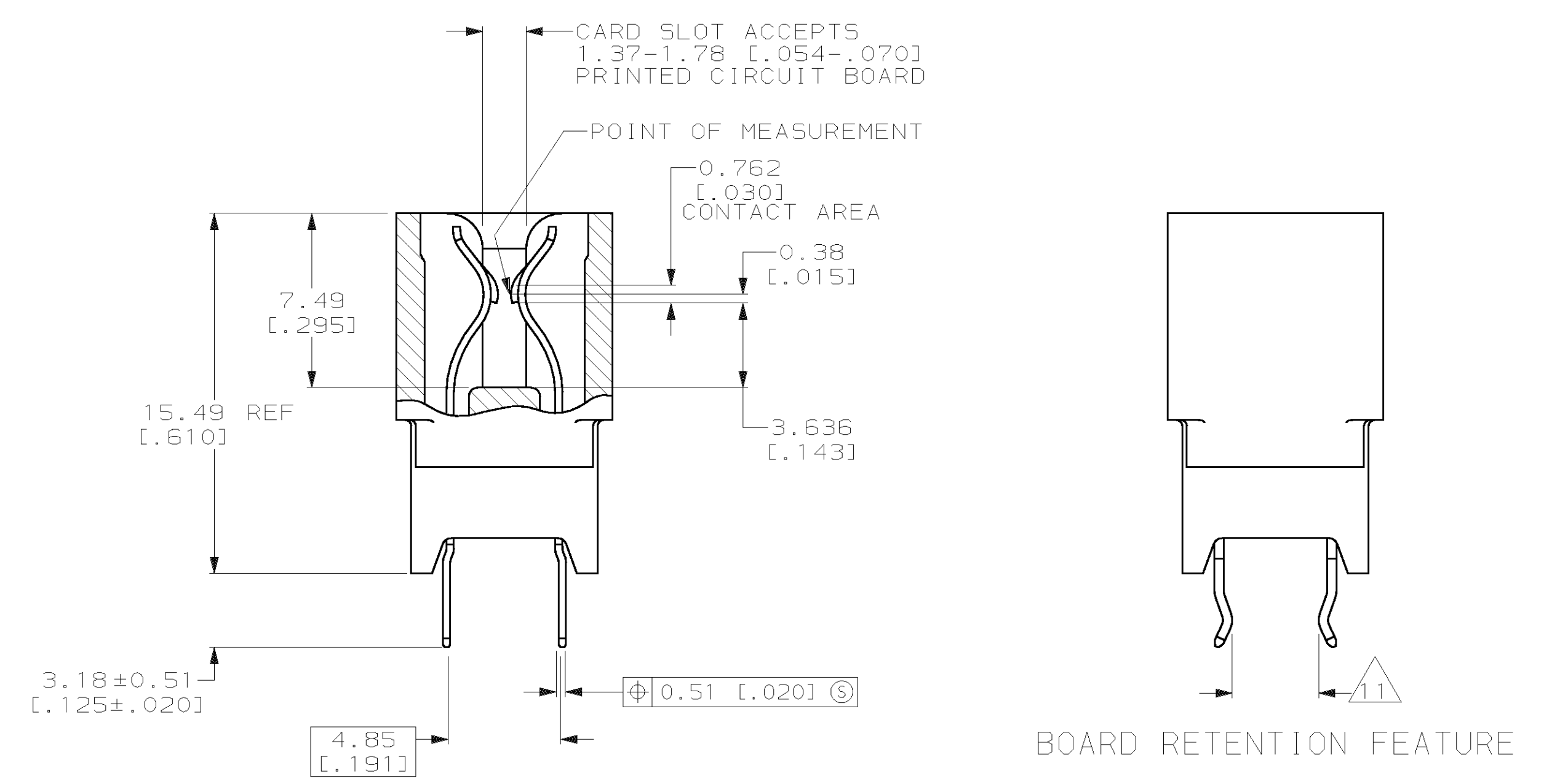
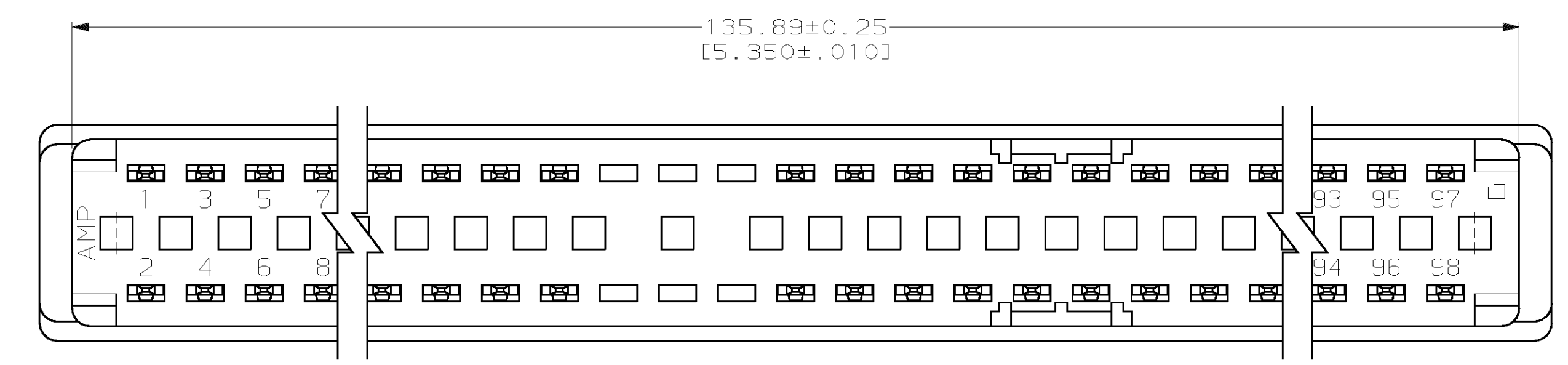
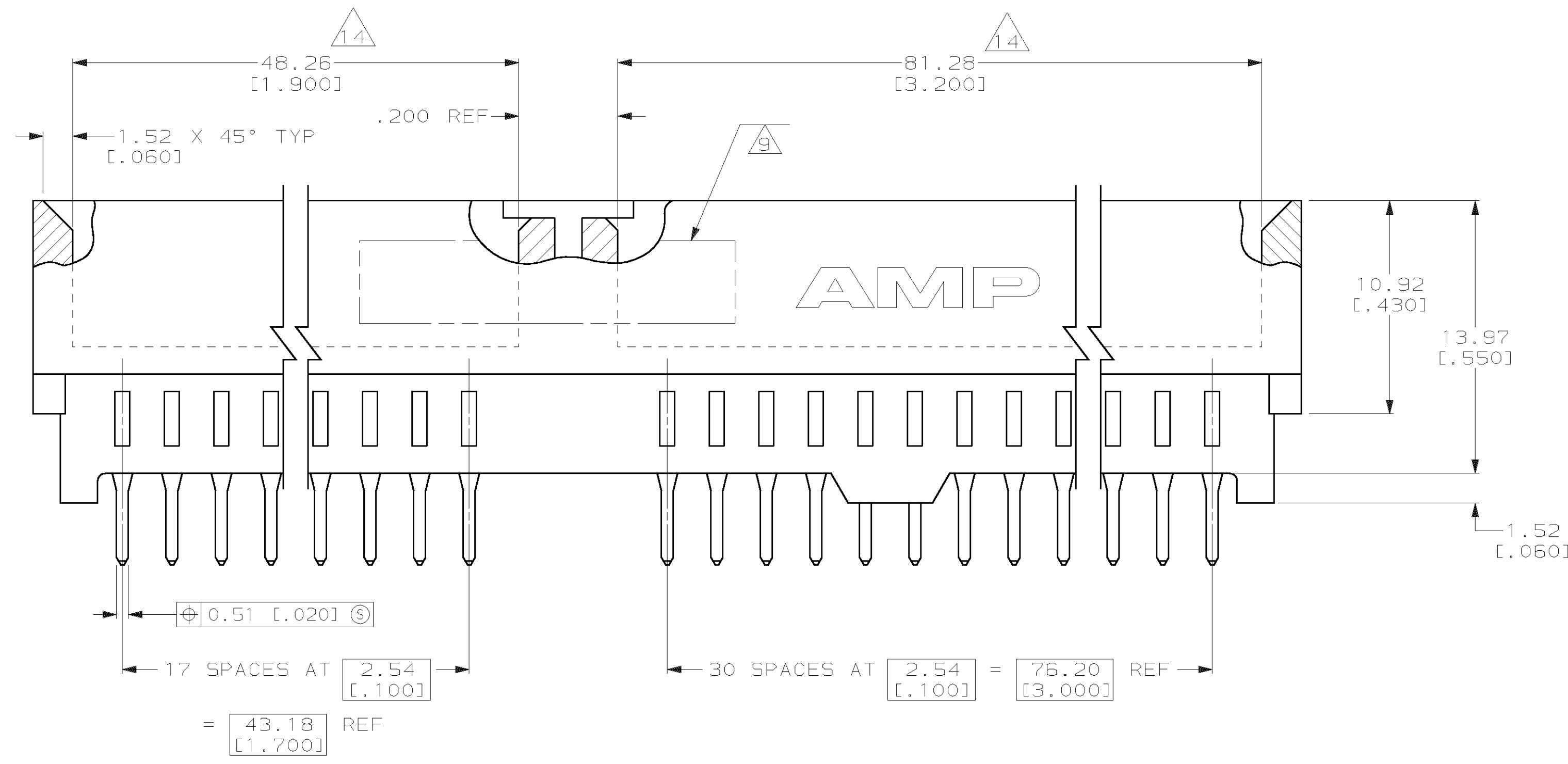
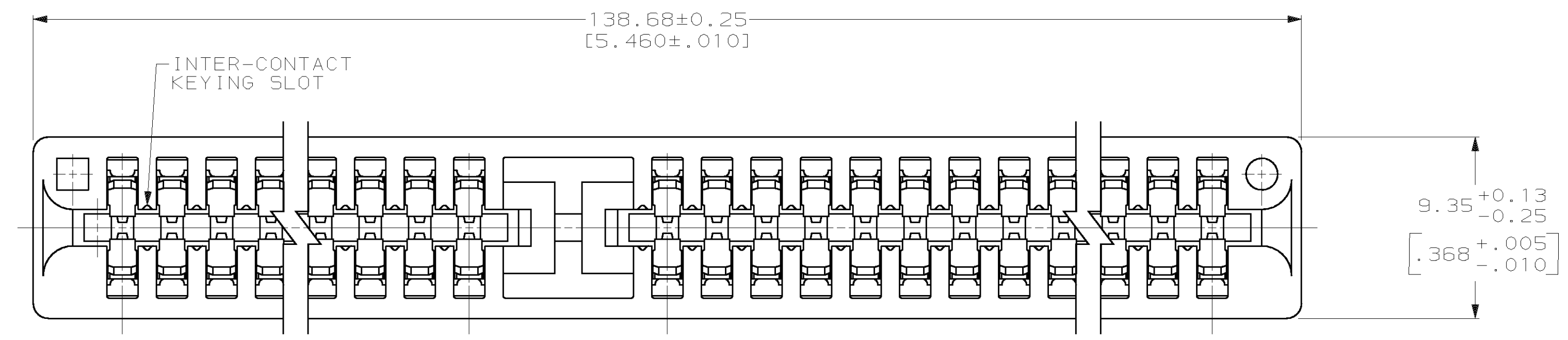
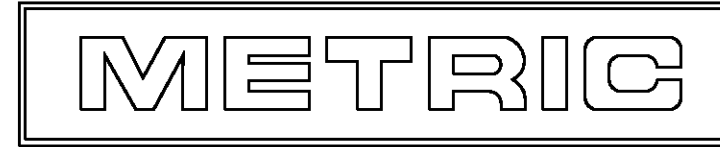


LOC	DIST	P	F	ZONE	LTR	DESCRIPTION	DATE	APPD
AD	14				S	REVISED PER 0651-0024-98	6/10/98	RB AV
					T	REVISED PER 0651-0019-99	04MAR99	RB JP
					U	REV PER EC 0652-0059-99	04/10/99	MM JP

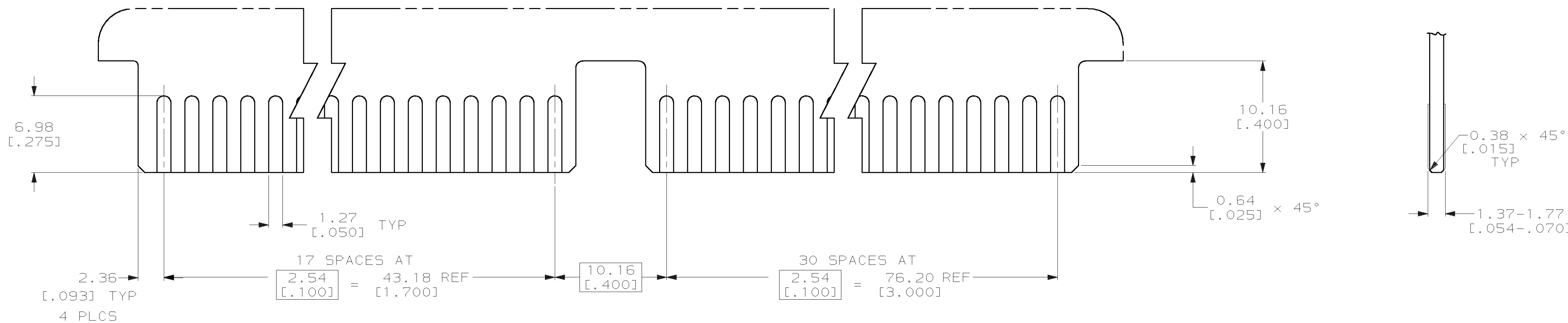


OBSOLETE	5, 6, 31, 32, 41, 42, 93, 94	49	176139-8
OBSOLETE	5, 6, 31, 32, 41, 42, 93, 94	49	176139-8
OBSOLETE			
OBSOLETE		49	176139-6
		49	176139-5
		49	176139-4
	5, 6, 31, 32, 41, 42, 93, 94	49	176139-3
	5, 6, 31, 32, 41, 42, 93, 94	49	176139-2
	5, 6, 31, 32, 41, 42, 93, 94	49	176139-1
	BOARD RETENTION LOCATION	FINISH (3/4/8)	NO OF POSN
			PART NUMBER

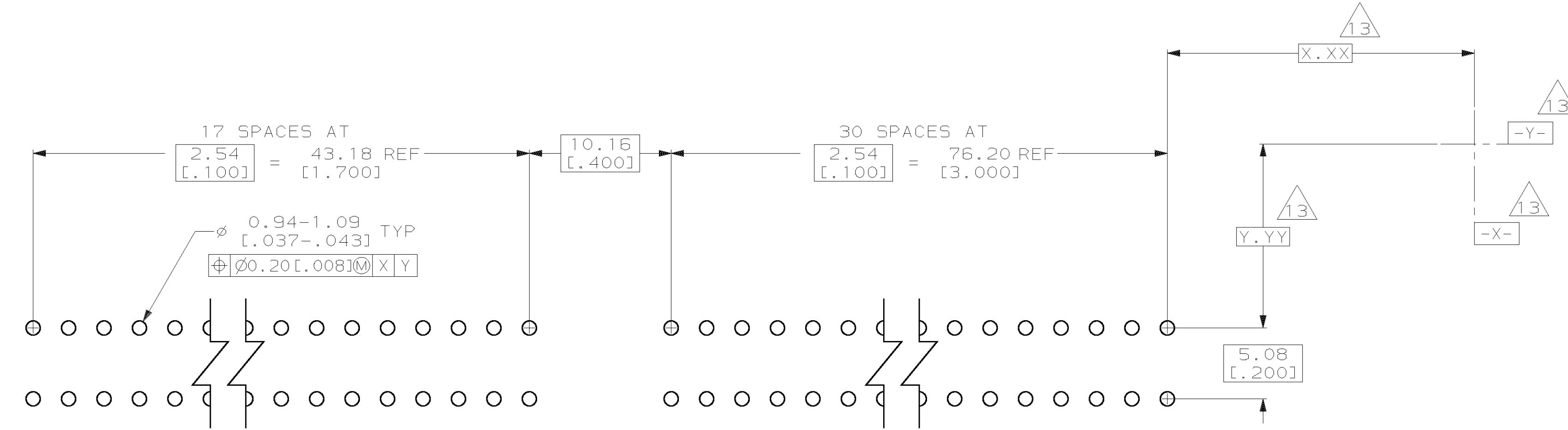
DO NOT SCALE PRINT. UNLESS SPECIFIED DIMENSIONS IN mm [INCHES] TOLERANCES ON: 2 PLC DEC ± 0.13 [0.005] 3 PLC DEC ± - ANGLES ± -	DR 7/30/97 R BROWN CHK 7/30/97 M PAVLOVICH APPD 7/30/97 M PAVLOVICH	AMP AMP Incorporated Harrisburg, PA 17105-3608 NAME CONNECTOR ASSY, EDGE CARD, 2.54 [0.100] ⌀	
MATERIAL HOUSING: (1) CONTACT: (2)	APPD 7/30/97 D SARVER PRODUCT SPEC 108-1248		
FINISH CONTACT: (3) (4) (5) (6) (7) (8)	APPLICATION SPEC - WEIGHT -	SIZE (D) CAGE CODE 00779 DRAWING NO 176139 SCALE 5:1	SHEET 1 OF 2



LOC	DIST	P	F	ZONE	LTR	DESCRIPTION	DATE	APPR
AD	14					U SEE SHEET 1		



RECOMMENDED CONNECTOR P.C. BOARD PAD LAYOUT



RECOMMENDED CONNECTOR P.C. BOARD HOLE PATTERN

- 1 HOUSING: GLASS FILLED POLYESTER; COLOR: BLACK.
- 2 CONTACT: PHOSPHOR BRONZE.
- 3 NICKEL PLATE: 0.00127 [0.000050] MIN - ALL OVER.
- 4 TIN-LEAD PLATE: 0.00254 [0.000100] MIN - SOLDER POSTS.
- 5 GOLD FLASH IN CONTACT AREA.
- 6 GOLD PLATE: 0.00038 [0.000015] MIN - CONTACT AREA.
- 7 GOLD PLATE: 0.00076 [0.000030] MIN - CONTACT AREA.
- 8 NICKEL PLATE PER MIL-G-45204. GOLD PLATE PER QQ-N-290.
- 9 AMP, CSA LOGO, PART NUMBER AND DATE CODE ARE MARKED IN APPROXIMATE AREA SHOWN, EITHER SIDE.
- 10. RECOMMENDED PCB FINISHED HOLE DIA: 1.02±0.08 [0.040±.003].
- 11. THE RETENTIVE FEATURE OF THIS CONNECTOR IS DESIGNED FOR FULL SEATING IN .062±.008 THICK CIRCUIT BOARDS. FOR APPLICATIONS IN BOARDS OF OTHER THICKNESSES CONTACT AMP INCORPORATED.
- 12 PACKAGE 20 CONNECTOR PER GANG OF TUBE.
- 13 DATUMS AND BASIC DIMENSIONS TO BE DETERMINED BY CUSTOMER.
- 14 CARD SLOT DIMENSION.

DO NOT SCALE PRINT. UNLESS SPECIFIED DIMENSIONS IN mm [INCHES] TOLERANCES ON: 2 PLC DEC ± .13 [0.05] 3 PLC DEC ± - ANGLES ± -	DR 7/30/97 R BROWN CHK 7/30/97 M PAVLOVICH APPD 7/30/97 M PAVLOVICH APPD 7/30/97 D SARVER	AMP Incorporated Harrisburg, PA 17105-3608		
MATERIAL SEE SHEET 1	PRODUCT SPEC 108-1248	NAME CONNECTOR ASSY, EDGE CARD, 2.54 [0.100] ⌀		
FINISH SEE SHEET 1	APPLICATION SPEC -	SIZE D	CAGE CODE 00779	DRAWING NO 176139
	WEIGHT -	SCALE 4:1	SHEET 2 OF 2	

