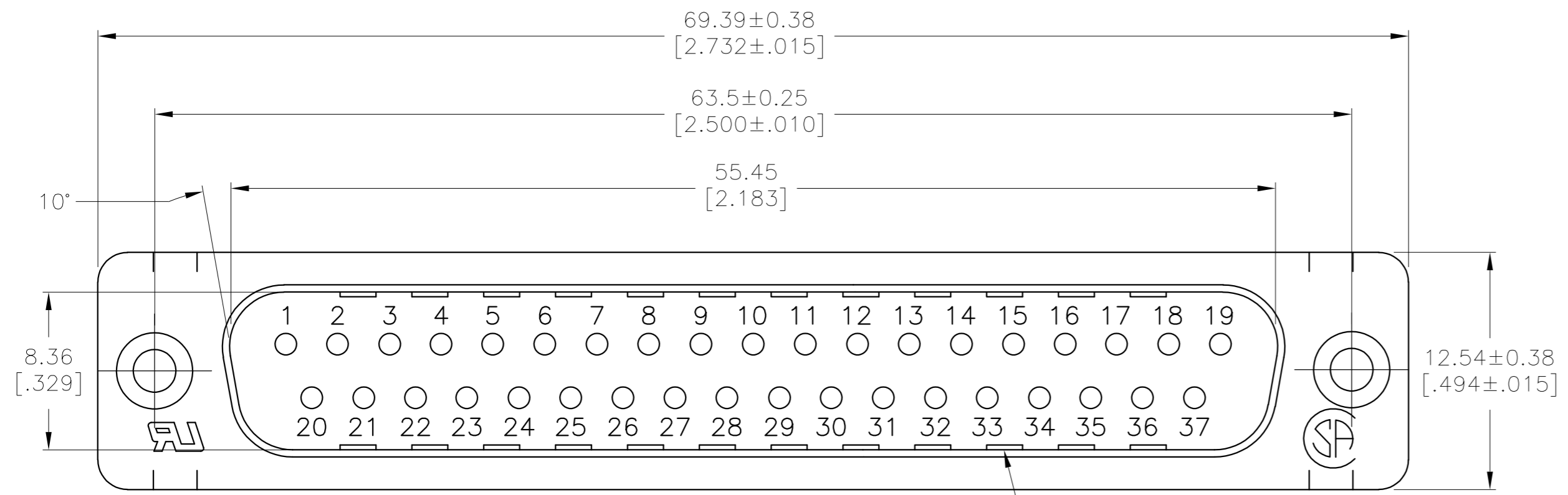
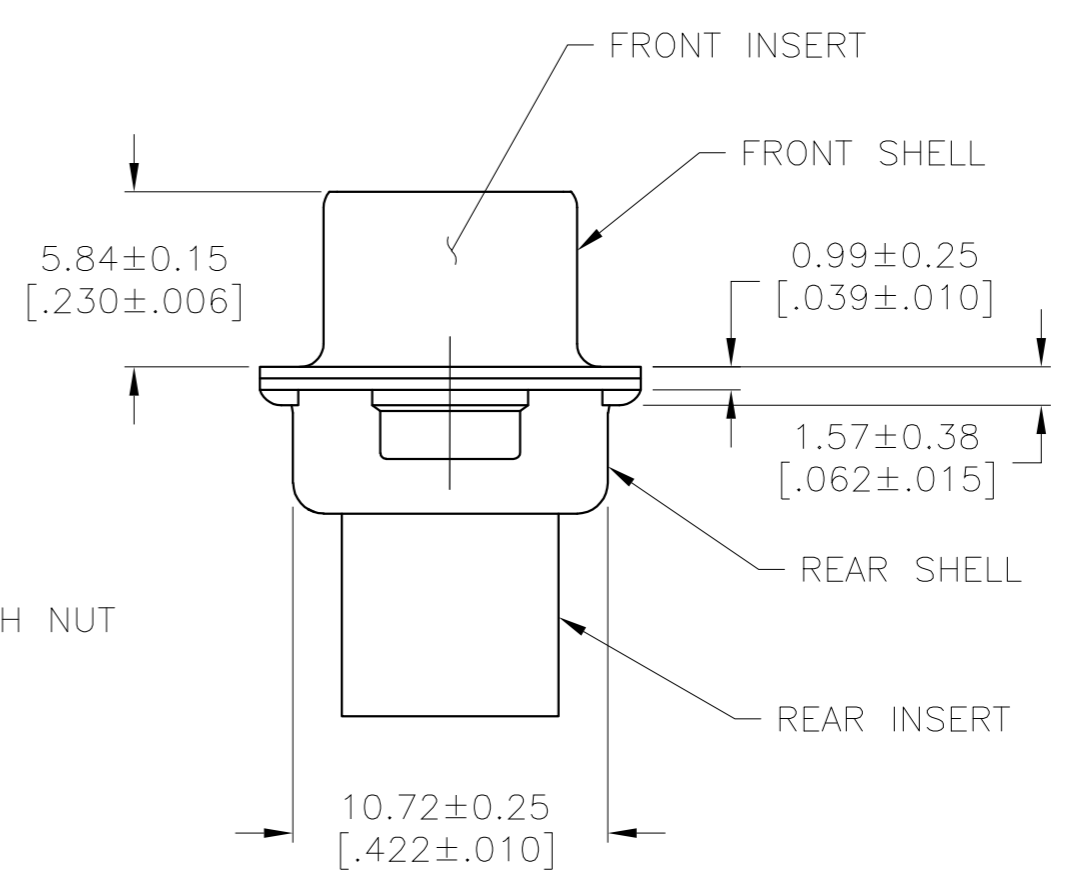
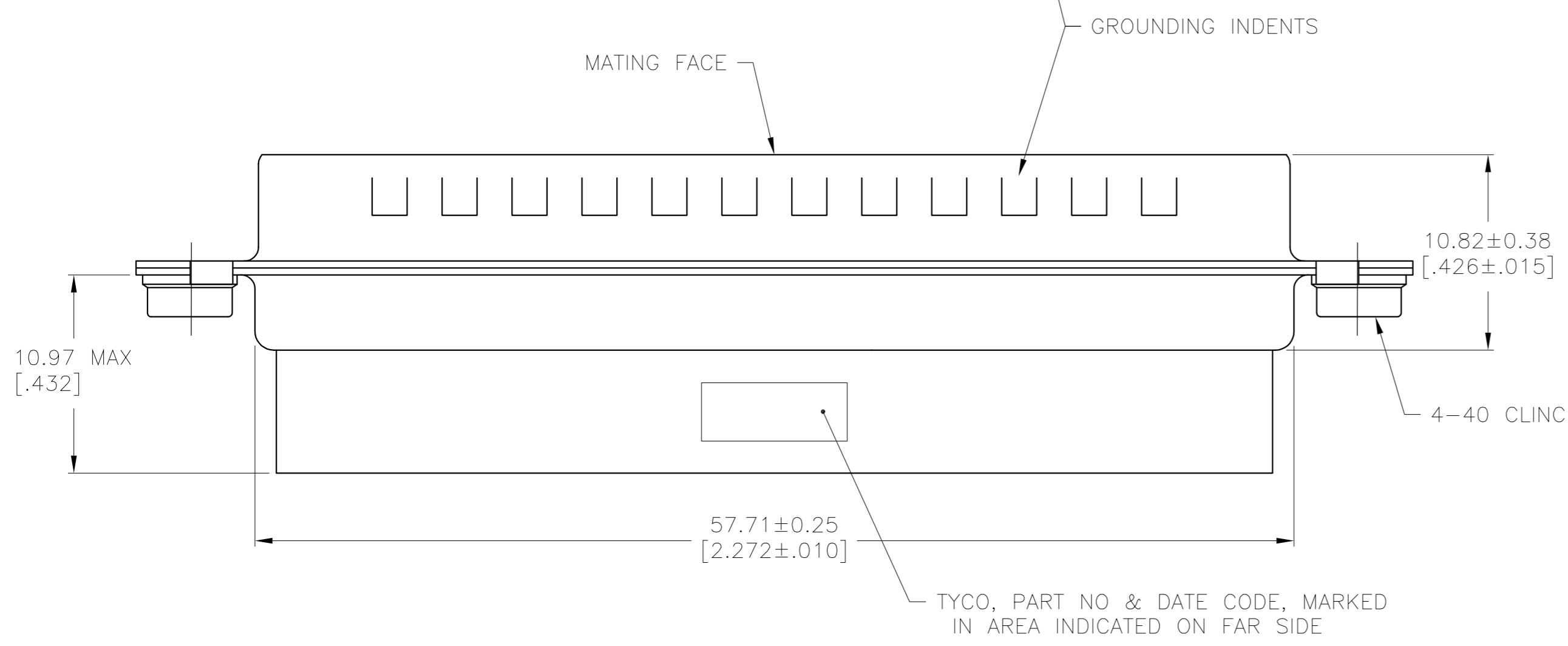


THIS DRAWING IS UNPUBLISHED. RELEASED FOR PUBLICATION
 © COPYRIGHT - By - ALL RIGHTS RESERVED.

LOC		DIST		REVISIONS			
P	LTR	DESCRIPTION		DATE	DWN	APVD	
GP	00	G		REVISED PER ECO-11-002006	14APR2011	CJV	CWR



- ① INSERTS: GLASS FILLED NYLON, UL 94V-0 RATED, COLOR BLACK.
SHELLS: CARBON STEEL PER ASTM A109.
CLINCH NUTS: CARBON STEEL PER ASTM A108.
- ② SHELLS: SEE TABLE
CLINCH NUTS: CLEAR CHROMATE OVER ZINC.
- 3. CONNECTOR ACCEPTS SIZE 20 DF PIN CONTACTS. RETENTION TINES ARE AN INTEGRAL PART OF INSERT.
- ④ 0.00508[.000200] MIN BRIGHT TIN OR BRIGHT TIN LEAD OVER
0.00254[.000100] MIN COPPER.
- ⑤ 0.00508[.000200] MIN BRIGHT TIN OVER 0.00254[.000100] MIN COPPER.



OBSOLETE	⑤	745135-4
	④	745135-2
	SHELL FINISH	PART NUMBER

**COPYRIGHT 2003
 TYCO ELECTRONICS CORP
 ALL RIGHTS RESERVED**

THIS DRAWING IS A CONTROLLED DOCUMENT.		DWN	J.GERACE	24APR03		TE Connectivity				
DIMENSIONS: mm [INCHES]		CHK	S.BOLASH	24APR03		NAME				
TOLERANCES UNLESS OTHERWISE SPECIFIED:		APVD	M.WALMSLEY	24APR03		PRODUCT SPEC				
0 PLC ± -		APPLICATION SPEC		108-40005						
1 PLC ± -		WEIGHT		114-40030			SIZE	CAGE CODE	DRAWING NO	RESTRICTED TO
2 PLC ± 0.13[.005]		CUSTOMER DRAWING		SCALE			A2	00779	C=745135	-
3 PLC ± -		FINISH		SCALE			4:1	SHEET	1 of 1	REV
4 PLC ± -		FINISH		SCALE			4:1	SHEET	1 of 1	REV
ANGLES ± -		FINISH		SCALE			4:1	SHEET	1 of 1	REV