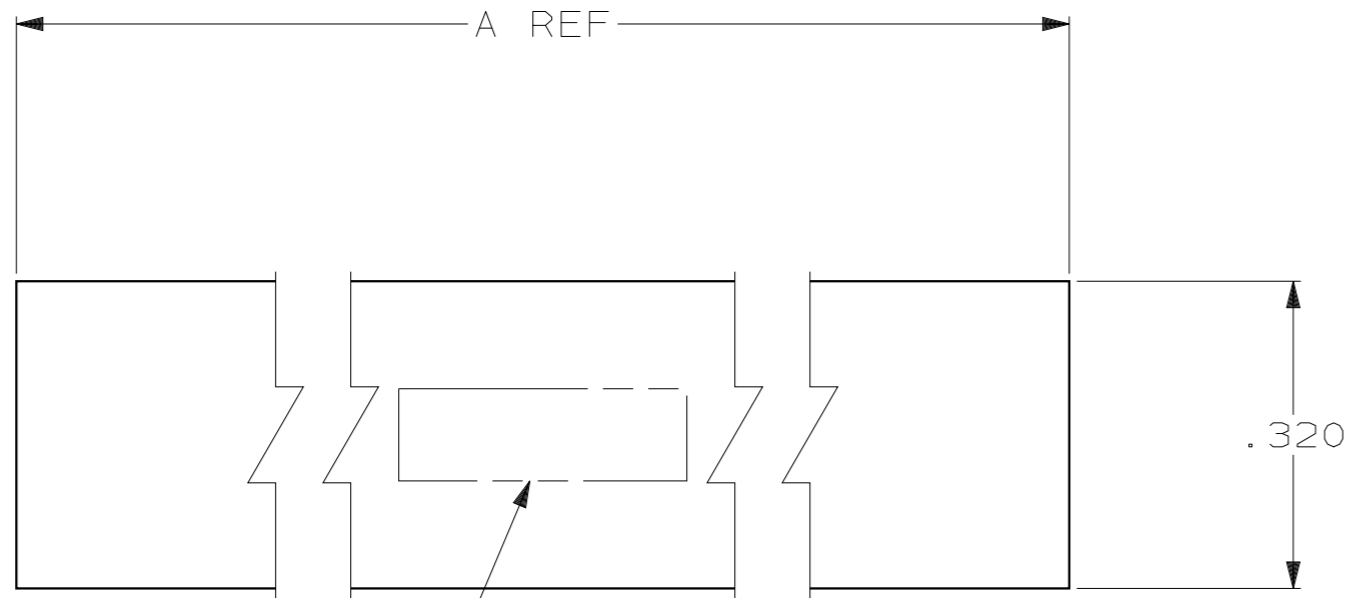


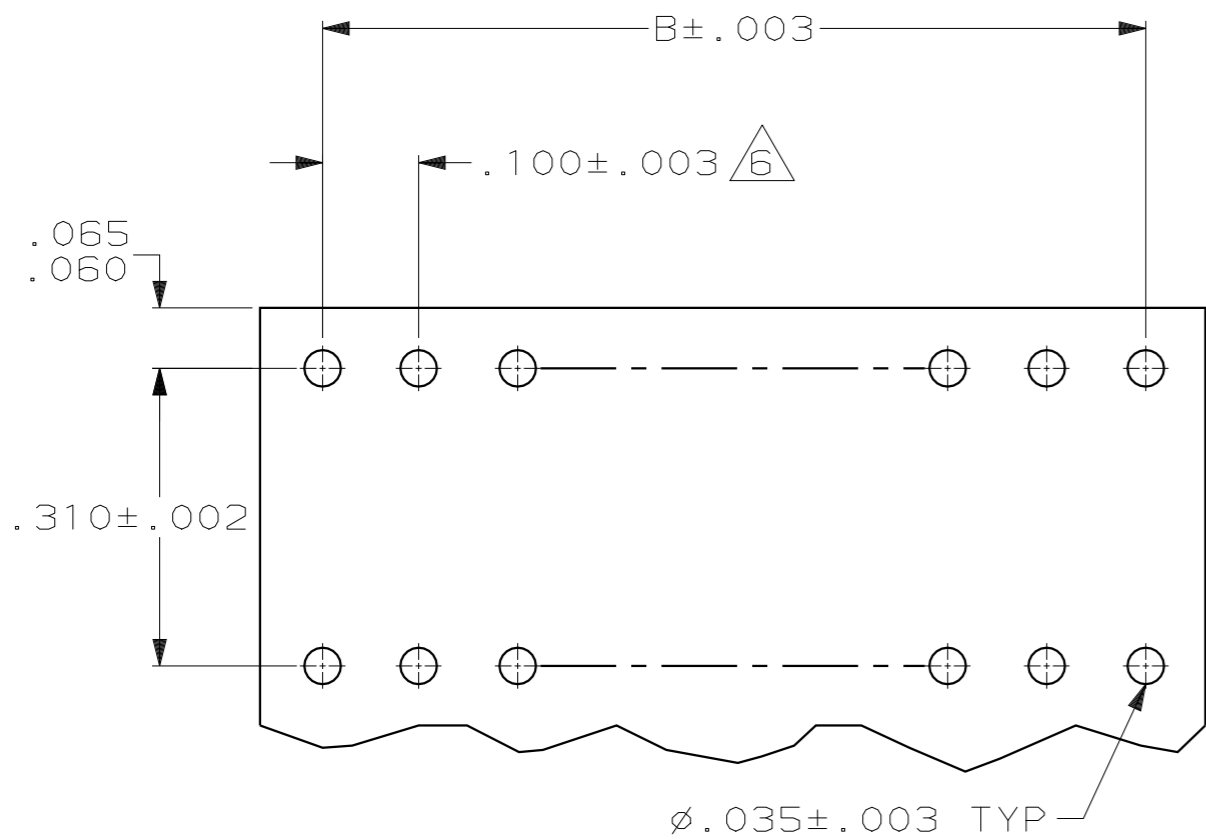
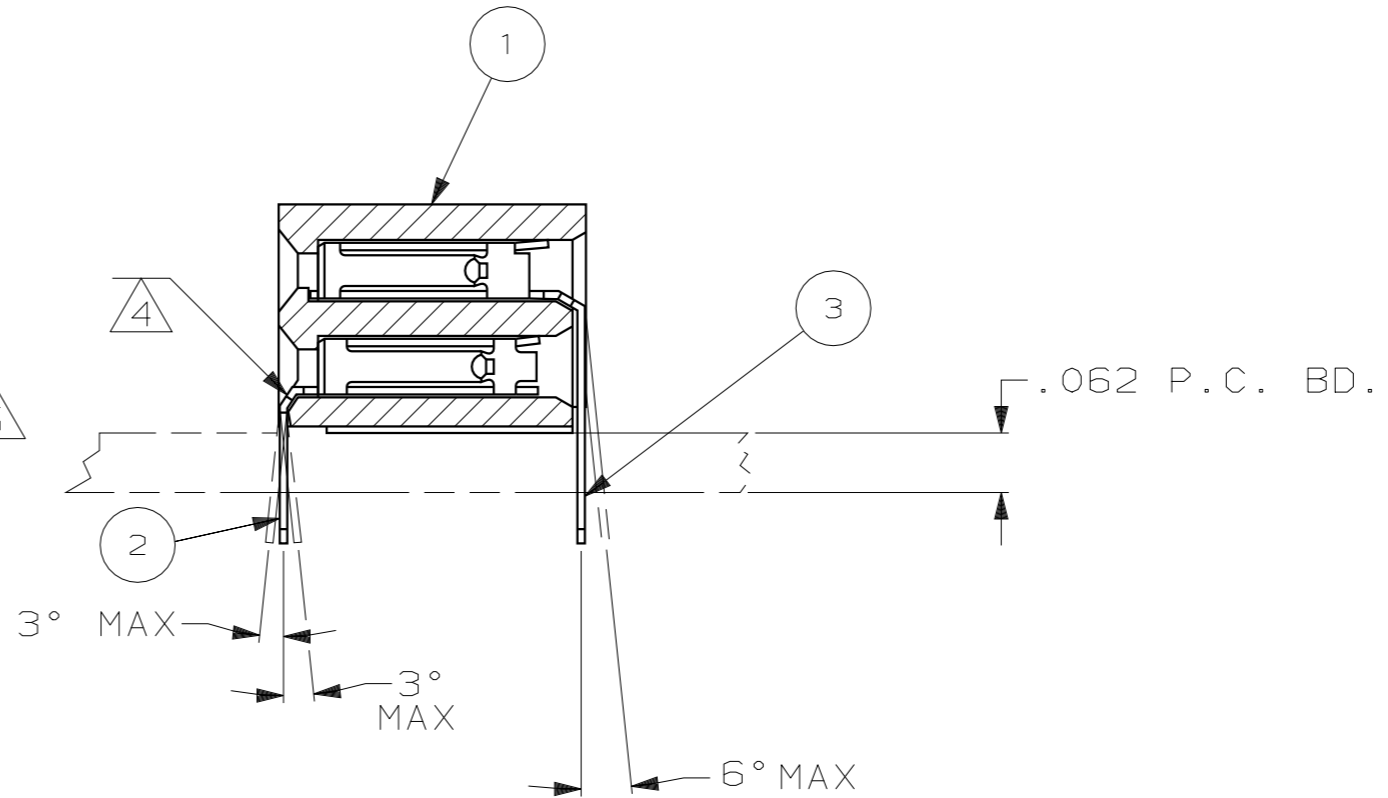
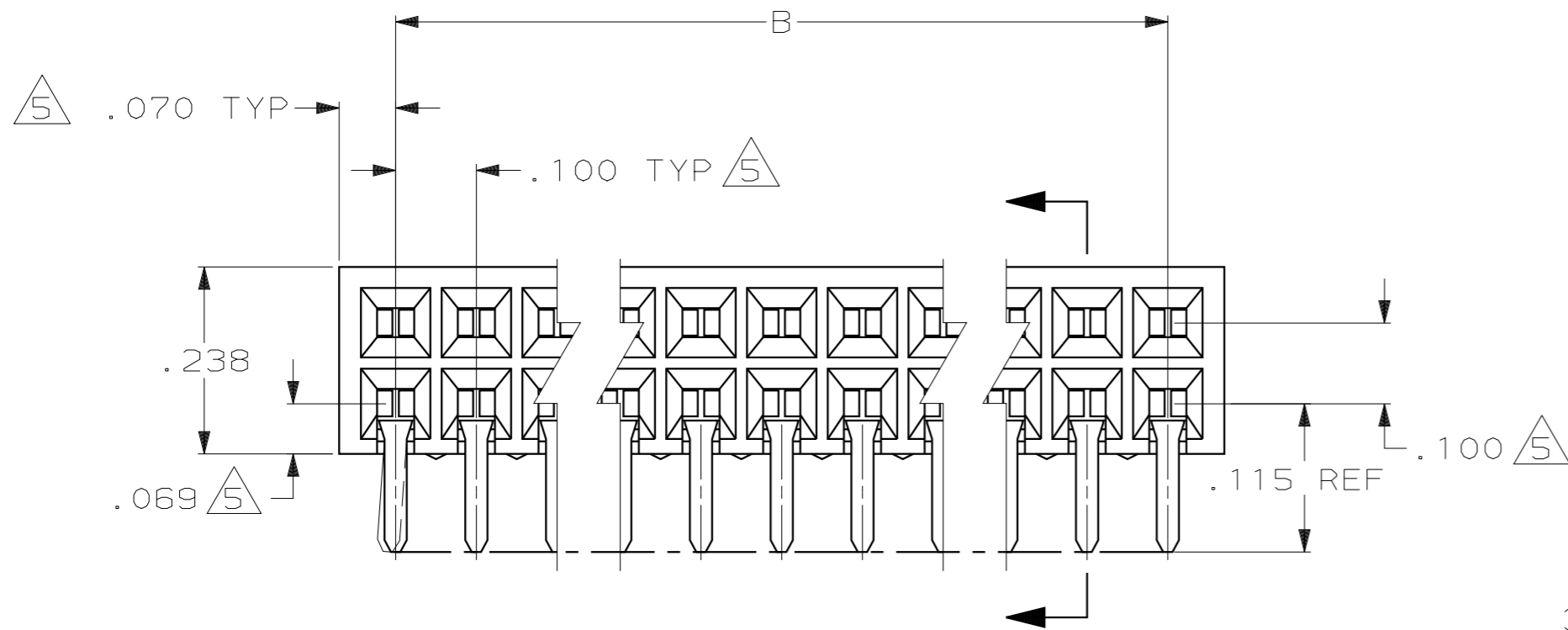
THIS DRAWING IS UNPUBLISHED. RELEASED FOR PUBLICATION
 BY AMP INCORPORATED. ALL RIGHTS RESERVED.

LOC	DIST	REVISIONS					
DF	ZO	P	LTR	DESCRIPTION	DATE	DWN	APVD
		F		REV PER OH14-0347-05	7-12-05	CT	DN



① 0934450CNPC78712-1
 00779 XXXX FRONT

- ① MARKED AS SHOWN IN .062 HIGH CHARACTERS APPROXIMATELY CENTER OF HOUSING.
- ② HOUSING: DIALLYL PHTHALATE COLOR: BLUE.
- ③ CONTACT: PHOS. BRONZE.
- ④ FINISH .000030 GOLD OVER .000050 NI.
- ⑤ THESE DIMENSIONS PERTAIN TO CAVITY CENTERLINES ONLY NOT TO CONTACT LOCATIONS.
- ⑥ TOLERANCES NOT ACCUMULATIVE.
- 7. MARK "CSA" LOGO ON PART.
- 8. SPECIAL TESTING REQUIRED PER KAISER ELECTRONICS DRAWING PC78712 TABLE 1 EXCEPT DISREGARD DIELECTRIC WITHSTANDING VOLTAGE AT 70,000 FEET ALTITUDE TEST.
- 9. ALL CONTACTS ARE SOLDER DIPPED TO WITHIN .020 OF HOUSING PER MIL_STD-202 METHOD 208.



RECOMMENDED P.C. BD. HOLE LAYOUT.

1.200	1.340	26	534271-1
DIM B	DIM A	NO OF POSN	PART NUMBER

THIS DRAWING IS A CONTROLLED DOCUMENT FOR AMP INCORPORATED. IT IS SUBJECT TO CHANGE AND THE CONTROLLING ENGINEERING ORGANIZATION SHOULD BE CONTACTED FOR THE LATEST REVISION.		DWN J.A.Baker 12-05-94	AMP Incorporated Harrisburg, PA 17105-3608	
DIMENSIONS: mm		CHK G.SCHAEFFER 12-05-94	NAME HOUSING ASSY. MOD II DOUBLE ROW, IN LINE, .100 CENTERS.	
TOLERANCES UNLESS OTHERWISE SPECIFIED: 0 PLC ± 1 PLC ± 2 PLC ± 3 PLC ± 4 PLC ± ANGLES ± FINISH		APVD G.SCHAEFFER 12-05-94	DRAWING NO C-534271	
MATERIAL		PRODUCT SPEC -	SIZE A2	CAGE CODE 00779
② ③		APPLICATION SPEC -	WEIGHT -	SCALE 5:1
④		CUSTOMER DRAWING	SHEET 1 OF 1	REV F