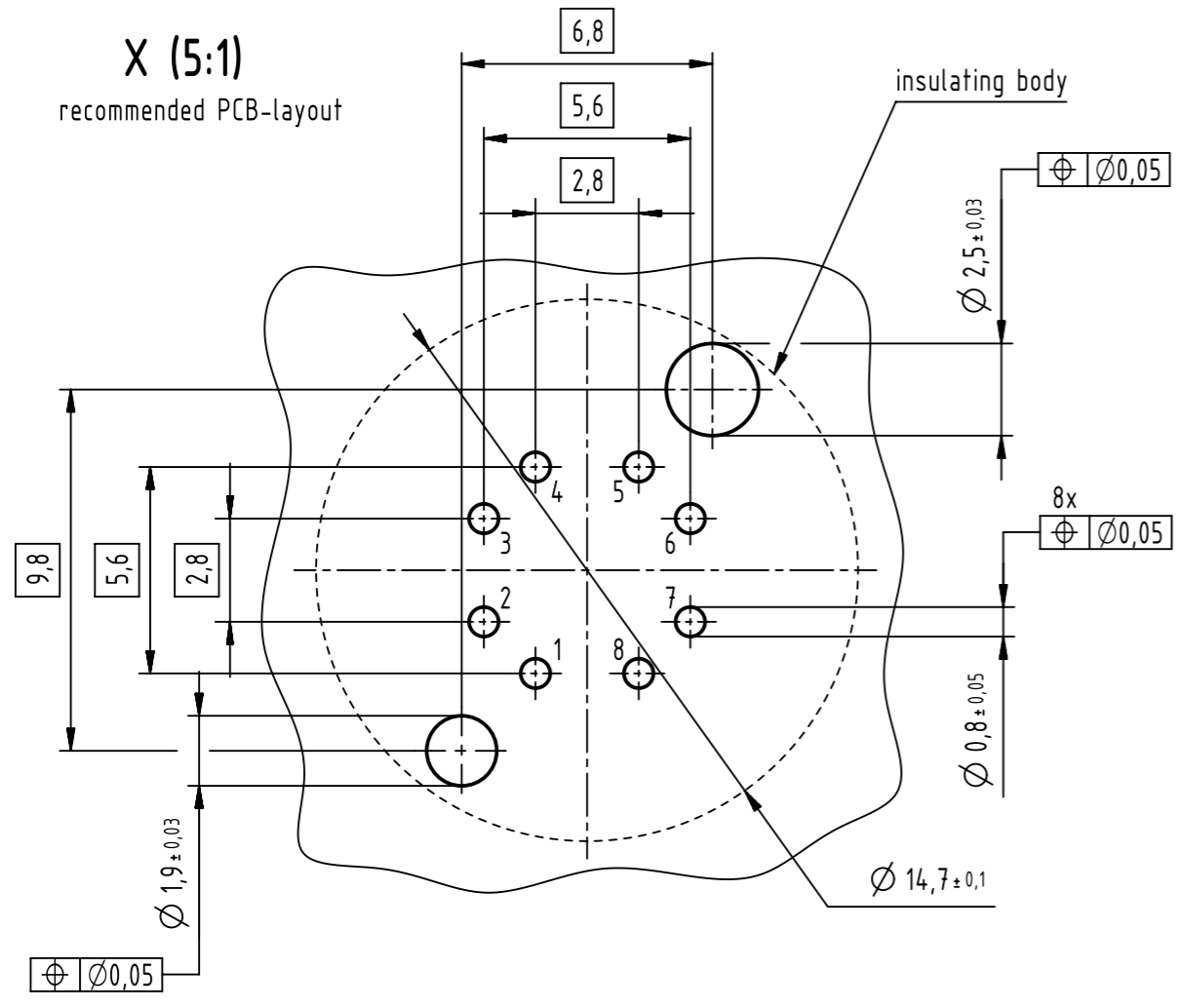
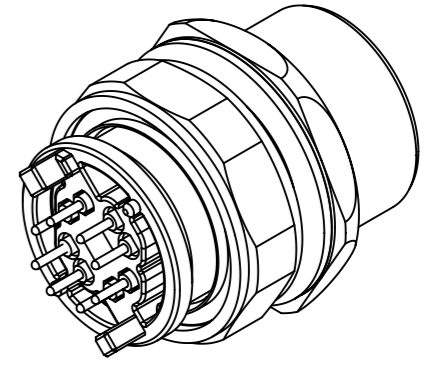


**X (5:1)**  
recommended PCB-layout



- 500 mating cycles acc. to DIN IEC 60512-5
- design for reflow soldering

pin assignment		
pin	Signal	pair
1	TD1+	2
2	RD1-	2
3	TD2+	3
4	RD2-	3
5	TD4+	4
6	RD4-	4
7	RD3-	1
8	TD3+	1



	All rights reserved		Scale 2:1	Free size tol.	Ref.	
	Department EC PD - DE		Created by BUSSMANT	Inspected by GENAU	Standardisation HOFFMANN	Date 2013-07-12
HARTING Electronics GmbH		Title har-speed M12 PCB Cat5 receptacle straight front			State Final Release	
D-32339 Espelkamp		Type TB	Number 21033812803		Doc-Key / ECM-Nr. 100230897/UGD/001/C 50000064.016	
					Rev. C	Page 1/1