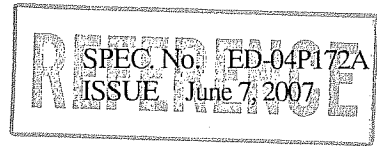


SHARP



OPTO-ANALOG DEVICES DIVISION
ELECTRONIC COMPONENTS GROUP
SHARP CORPORATION

SPECIFICATION

DEVICE SPECIFICATION FOR

PHOTOCOUPLER

MODEL No.

PC400

(Business dealing name : PC400J00000F)

Specified for

Enclosed please find copies of the Specifications which consists of 14 pages including cover.
This specification sheets and attached sheets shall be both side copy.
After confirmation of the contents, please be sure to send back copies of the Specifications
with approving signature on each.

CUSTOMER'S APPROVAL

PRESENTED

DATE

DATE

June 8, 2007

BY

BY

K. Imanaka

for H. Imanaka,
Department General Manager of
Engineering Dept., II
Opto-Analog Devices Div.
ELECOM Group
SHARP CORPORATION



Product name : PHOTOCOUPLER

Model No. : PC400

(Business dealing name : PC400J00000F)

1. These specification sheets include materials protected under copyright of Sharp Corporation ("Sharp"). Please do not reproduce or cause anyone to reproduce them without Sharp's consent.
2. When using this product, please observe the absolute maximum ratings and the instructions for use outlined in these specification sheets, as well as the precautions mentioned below. Sharp assumes no responsibility for any damage resulting from use of the product which does not comply with the absolute maximum ratings and the instructions included in these specification sheets, and the precautions mentioned below.

(Precautions)

- (1) This product is designed for use in the following application areas ;

(· OA equipment Audio visual equipment · Home appliances
· Telecommunication equipment (Terminal) · Measuring equipment
· Tooling machines · Computers)

If the use of the product in the above application areas is for equipment listed in paragraphs (2) or (3), please be sure to observe the precautions given in those respective paragraphs.

- (2) Appropriate measures, such as fail-safe design and redundant design considering the safety design of the overall system and equipment, should be taken to ensure reliability and safety when this product is used for equipment which demands high reliability and safety in function and precision, such as ;

(· Transportation control and safety equipment (aircraft, train, automobile etc.)
· Traffic signals · Gas leakage sensor breakers · Rescue and security equipment
· Other safety equipment)

- (3) Please do not use this product for equipment which require extremely high reliability and safety in function and precision, such as ;

(· Space equipment · Telecommunication equipment (for trunk lines)
· Nuclear power control equipment · Medical equipment)

- (4) Please contact and consult with a Sharp sales representative if there are any questions regarding interpretation of the above three paragraphs.

3. Please contact and consult with a Sharp sales representative for any questions about this product.



1. Application

This specification applies to the outline and characteristics of OPIC photocoupler Model No. PC400(Lead free type).

2. Outline Refer to the attached sheet, page 4

3. Ratings and characteristics Refer to the attached sheet, page 5 to 7.

4. Reliability Refer to the attached sheet, page 8.

5. Outgoing inspection Refer to the attached sheet, page 9.

6. Supplement

6.1 Isolation voltage shall be measured in the following method.

(1) Short between pins 1 and 3 on the primary side and between pins 4, 5 and 6 on the secondary side.

(2) The dielectric withstanding tester with zero-cross circuit shall be used.

(3) The wave form of applied voltage shall be a sine wave.

(It is recommended that the isolation voltage be measured in insulation oil.)

6.2 Package specification Refer to the attached sheet, page 10, 11.

6.3 The business dealing name used for this product when ordered or delivered shall be PC400J00000F.

6.4 This Model is approved by UL.

Approved Model No. : PC400

UL file No. : E64380

6.5 This product is not designed against irradiation.

This product is operated with electrical input and output.

This product incorporates non-coherent light emitting diode.

6.6 ODS materials

This product shall not contain the following materials.

Also, the following materials shall not be used in the production process for this product.

Materials for ODS : CFC₅, Halon, Carbon tetrachloride, 1.1.1-Trichloroethane (Methyl chloroform)

6.7 Specified brominated flame retardants

Specified brominated flame retardants (PBB and PBDE) are not used in this device at all.

6.8 Explanation of operation

(1) When the forward current over the "H→L" threshold input current (I_{FHL}) is flows on the input side, the output goes to "Low level".

(2) When the forward current goes below the "L→H" threshold input current (I_{FLH}) is flows on the input side, the output goes to "High level".

6.9 Compliance with each regulation

- (1) The RoHS directive (2002/95/EC)

This product complies with the RoHS directive (2002/95/EC) .

Object substances: mercury, lead, cadmium, hexavalent chromium, polybrominated biphenyls (PBB) and polybrominated diphenyl ethers (PBDE)

- (2) Content of six substances specified in Management Methods for Control of Pollution Caused by Electronic Information Products Regulation (Chinese : 电子信息产品污染控制管理办法).

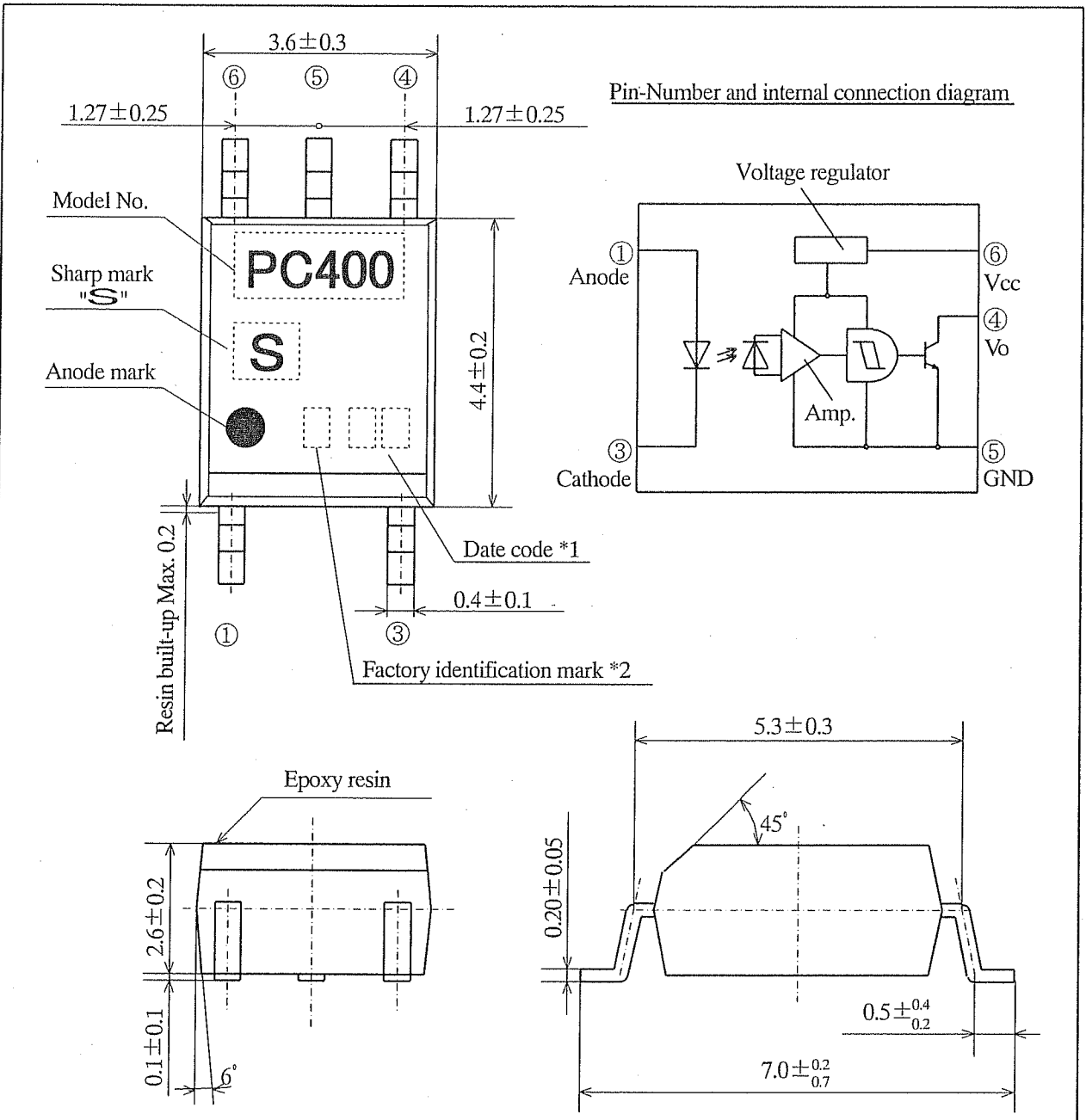
Category	Toxic and hazardous substances					
	Lead (Pb)	Mercury (Hg)	Cadmium (Cd)	Hexavalent chromium (Cr ⁶⁺)	Polybrominated biphenyls (PBB)	Polybrominated diphenyl ethers (PBDE)
Photocoupler	✓	✓	✓	✓	✓	✓

✓ : indicates that the content of the toxic and hazardous substance in all the homogeneous materials of the part is below the concentration limit requirement as described in SJ/T 11363-2006 standard .

7. Notes

Precautions for photocouplers : Attachment-1

2. Outline



*1) 2-digit number shall be marked according to OLD DIN standard.

*2) Factory identification mark applies to the below.

Without : SUN-S Corporation (Japan)

Pin material : 42 Alloy

Pin finish : SnCu plating (Cu : TYP. 2%)

Marking is ink marking

: P.T.SHARP SEMICONDUCTOR INDONESIA (INDONESIA)

Pin material: Cu Alloy

Pin finish: Palladium (Au flash plating)

Marking is laser marking

Product mass : Approx. 0.1g

UNIT : 1/1 mm	
Name	PC400 Outline Dimensions (Business dealing name : PC400J00000F)

3. Ratings and characteristics

3.1 Absolute maximum ratings

Ta=25°C

Parameter		Symbol	Rating	Unit
Input	*1 Forward current	I_F	50	mA
	Reverse voltage	V_R	6	V
	Power dissipation	P	70	mW
Output	Supply voltage	Vcc	16	V
	High level output voltage	V_{OH}	16	V
	Low level output current	I_{OL}	50	mA
	*1 Collector power dissipation	Po	130	mW
*1 Total power dissipation	P_{tot}	150	mW	
*2 Isolation voltage	$V_{iso(rms)}$	3750	V	
Operating temperature		T_{opr}	-25 to +85	°C
Storage temperature		T_{sig}	-40 to +125	°C
*3 Soldering temperature	T_{sol}	260	°C	

*1 The deating factors of absolute maximum ratings due to ambient temperature are shown in Fig. 1 to 3.

*2 AC for 1 min, 40 to 60%RH

*3 For 10 s

3.2 Electro-optical characteristics

(Ta=0 to 70°C unless otherwise specified)

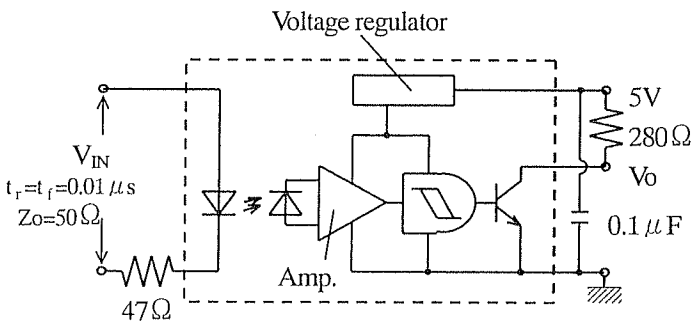
Parameter		Symbol	MIN.	TYP.	MAX.	Unit	Conditions	
Input	Forward voltage	V_F	-	1.1	1.4	V	$I_F=4mA$	
			0.7	1.0			$I_F=0.3mA$	
	Reverse current	I_R	-	-	10	μA	$T_a=25^\circ C, V_R=3V$	
	Terminal capacitance	C_i	-	30	250	pF	$T_a=25^\circ C, V_F=0, f=1MHz$	
Output	Operating supply voltage range	V_{CC}	3	-	15	V		
	Low level output voltage	V_{OL}	-	0.2	0.4	V	$I_{OL}=16mA, V_{CC}=5V, I_F=4mA$	
	High level output current	I_{OH}	-	-	100	μA	$V_{CC}=V_O=15V, I_F=0$	
	Low level supply current	I_{CCL}	-	2.5	5.0	mA	$V_{CC}=5V, I_F=4mA$	
	High level supply current	I_{CCH}	-	1.0	5.0	mA	$V_{CC}=5V, I_F=0$	
Transfer characteristics	"H→L" threshold input current *1	I_{FHL}	-	1.1	2.0	mA	$T_a=25^\circ C, V_{CC}=5V, R_L=280\Omega$	
			-	-	4.0		$V_{CC}=5V, R_L=280\Omega$	
	"L→H" threshold input current *2	I_{FLH}	0.4	0.8	-	mA	$T_a=25^\circ C, V_{CC}=5V, R_L=280\Omega$	
			0.3	-	-		$V_{CC}=5V, R_L=280\Omega$	
	Hysteresis *3	I_{FLH} / I_{FHL}	0.5	0.7	0.9		$V_{CC}=5V, R_L=280\Omega$	
	Isolation resistance	R_{ISO}	5×10^{10}	10^{11}	-	Ω	$T_a=25^\circ C, DC500V, 40$ to $60\%RH$	
	Response time *4	"H→L" propagation delay time	t_{PHL}	-	1	3	μs	$T_a=25^\circ C, V_{CC}=5V, I_F=4mA, R_L=280\Omega$
		"L→H" propagation delay time	t_{PLH}	-	2	6		
Fall time		t_f	-	0.05	0.5			
Rise time		t_r	-	0.1	0.5			

*1 I_{FHL} represents forward current when output changes from "H" to "L".

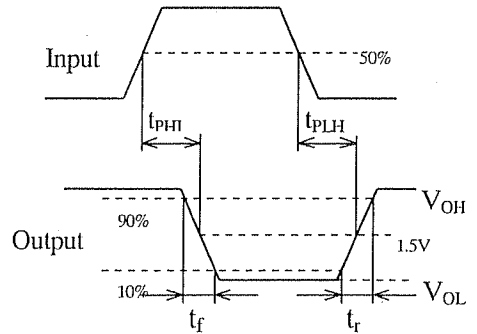
*2 I_{FLH} represents forward current when output changes from "L" to "H".

*3 Hysteresis : I_{FLH} / I_{FHL}

*4 Test circuit for response time shall be shown below.

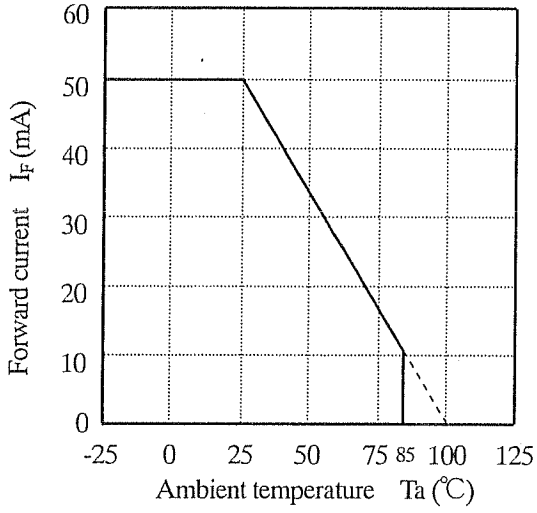


The circuit diagram

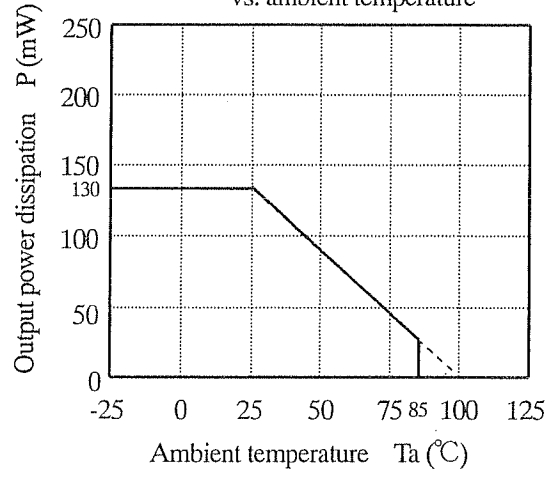


Timing chart

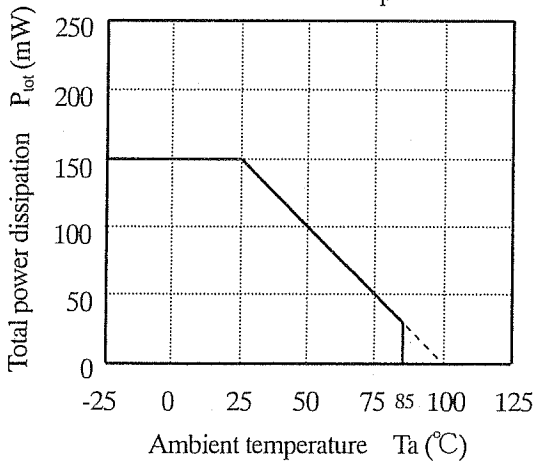
(Fig. 1) Forward current vs. ambient temperature



(Fig. 2) Output power dissipation vs. ambient temperature



(Fig. 3) Total power dissipation vs. ambient temperature



4. Reliability

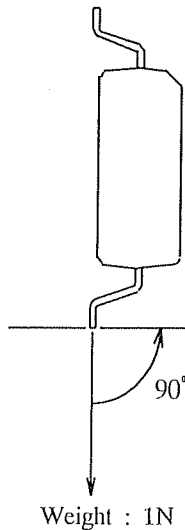
The reliability of products shall satisfy items listed below.

Confidence level : 90%

LTPD : 10 or 20

Test Items	Test Conditions *1	Failure Judgment Criteria	Samples (n)	
			Defective(C)	
Solderability *2	245±3°C, 5 s	—————	n=11, C=0	
Soldering heat *3	(Flow soldering) 260°C, 10 s	$V_F > U \times 1.2$ $I_R > U \times 2$ $V_{OL} > U \times 1.2$ $I_{OH} > U \times 1.2$ $I_{CCL} > U \times 1.2$ $I_{CCH} > U \times 1.2$ $I_{FHL} > U \times 1.3$ $I_{FLH} < L \times 0.8$ $I_{FLH} / I_{FHL} \neq L \times 0.8$ $\sim U \times 1.2$	n=11, C=0	
	(Soldering by hand) 400°C, 3 s		n=11, C=0	
Terminal strength (Bending) *4	Weight : 1N 1 time/each terminal		n=11, C=0	
Mechanical shock	15km/s ² , 0.5ms 3 times/±X, ±Y, ±Z direction		n=11, C=0	
Variable frequency vibration	100 to 2000 to 100Hz/4min 200m/s ² 4 times/X, Y, Z direction		n=11, C=0	
Temperature cycling	1 cycle -40°C to +125°C (30min) (30min) 20 cycles test		n=22, C=0	
High temp. and high humidity storage *5	+85°C, 85%RH, 500h		n=22, C=0	
High temp. storage	+125°C, 1000h		U : Upper specification limit L : Lower specification limit	n=22, C=0
Low temp. storage	-40°C, 1000h			n=22, C=0
Operation life	I _F =10mA, V _{cc} =15V, I _{OL} =16mA T _a =25°C 1000h			n=22, C=0

- *1 Test method, conforms to EIAJ ED 4701.
- *2 Solder shall adhere at the area of 95% or more of immersed portion of lead, and pin hole or other holes shall not be concentrated on one portion.
- *3 It is evaluated due to the temperature profile in attachment-1.
- *4 Terminal bending direction is shown below.
- *5 It is evaluated after washing by specified solvent in attachment-1.



5. Outgoing inspection

5.1 Inspection items

(1) Electrical characteristics

$V_F, I_R, V_{OL}, I_{OH}, I_{CCL}, I_{CCH}, I_{FHL}, I_{FLH}, R_{ISO}, V_{iso}$

(2) Appearance

5.2 Sampling method and Inspection level

A single sampling plan, normal inspection level II based on ISO 2859 is applied.

The AQL according to the inspection items are shown below.

Defect	Inspection item	AQL (%)
Major defect	Electrical characteristics Unreadable marking	0.065
Minor defect	Appearance defect except the above mentioned.	0.25

6.2 Package specifications

6.2.1 Taping conditions

- (1) Tape structure and Dimensions (Refer to the attached sheet, Page 10)
The carrier tape has the heat pressed structure of A-PET material carries tape with preventing static electricity and three layers cover tape (PET material base).
- (2) Reel structure and Dimensions (Refer to the attached sheet, Page 11)
The taping reel shall be of plastic (PS material) .
- (3) Direction of product insertion (Refer to the attached sheet, Page 11)
- (4) Joint of tape
The cover tape and carrier tape in one reel shall be joint less.
- (5) To repair failure - taped devices, cutting a bottom of carrier tape with a cutter.
After replacing the cut portion shall be sealed with adhesive tape.

6.2.2 Adhesiveness of cover tape

- The exfoliation force between carrier tape and cover tape shall be 0.2N to 0.7N for the angle 160° to 180° .

6.2.3 Rolling method and quantity

- Wind the tape back on the reel so that the cover tape will be outside the tape.
Attach more than 20cm of blank tape to the trailer and the leader of the tape and fix the both ends with adhesive tape. One reel basically shall contain 3000pcs.

6.2.4 Outer packing appearance (Refer to attached sheet, Page 11.)

6.2.5 Marking

- The label with following information shall be pasted at appointed place of the outer packing case.
* Model No. *(Business dealing name) * Lot No. * Quantity
* Country of origin *Company name *Inspection date specified

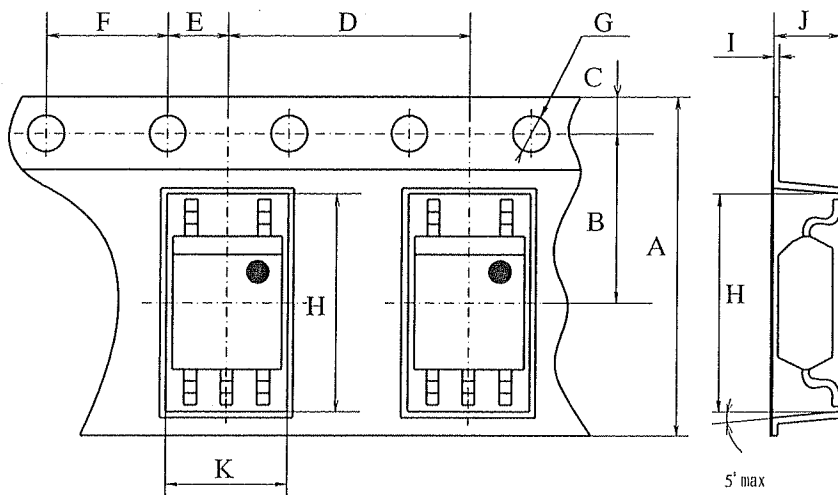
6.2.6 Storage condition

- Taped products shall be stored at the temperature 5 to 30°C and the humidity 70%RH or less away from direct sunlight.

6.2.7 Safety protection during shipping

- There shall be no deformation of component or degradation of electrical characteristics due to shipping.

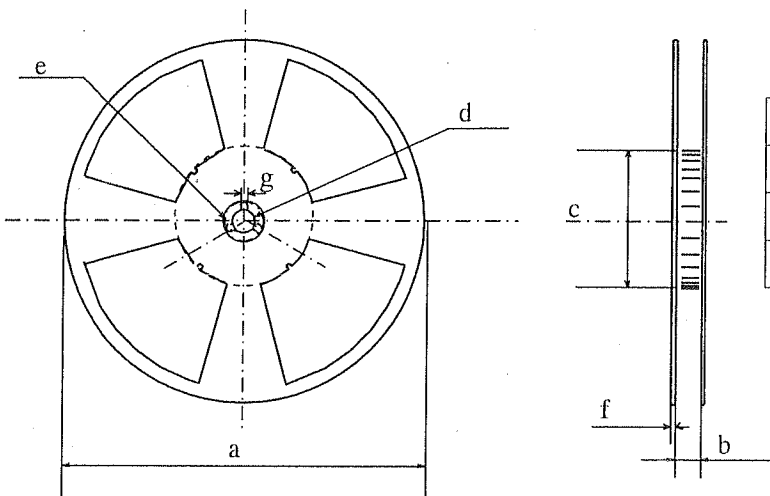
Carrier tape structure and Dimensions



Dimensions list (Unit : mm)

A	B	C	D	E	F	G	H	I	J	K
±0.3	±0.05	±0.10	±0.1	±0.1	±0.1	+0.1 -0.0	±0.1	±0.05	±0.1	±0.1
12.0	5.50	1.75	8.0	2.0	4.0	φ1.5	7.4	0.30	3.1	4.0

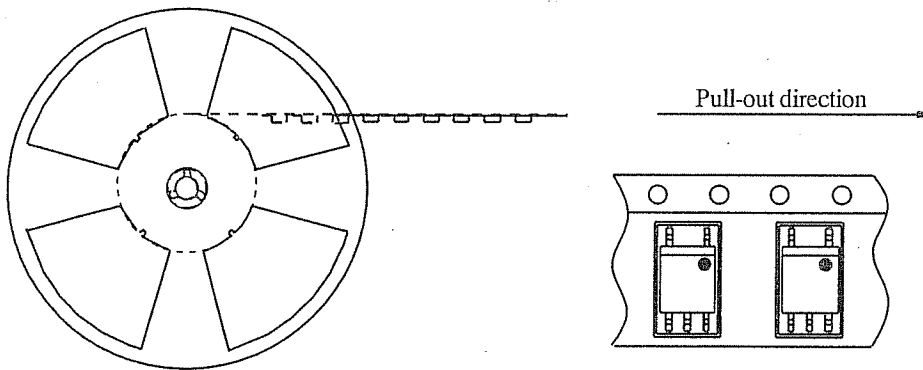
Reel structure and Dimensions



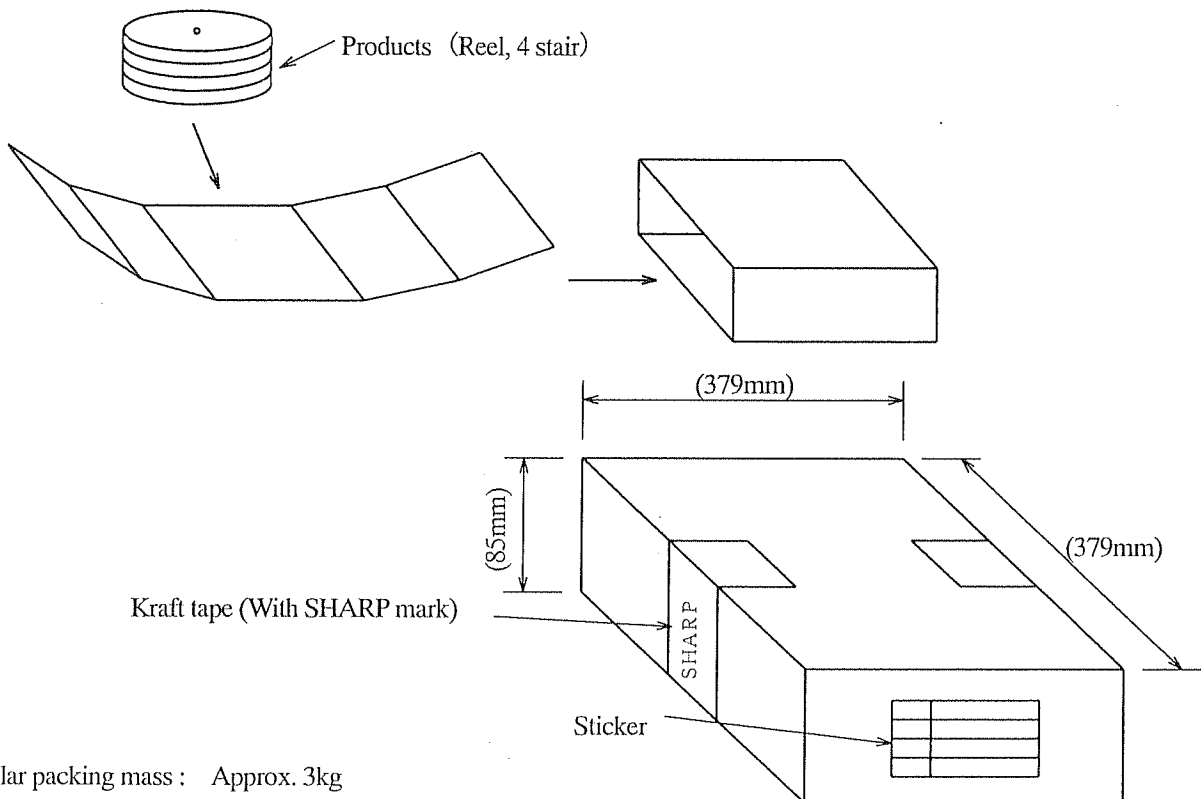
Dimensions list (Unit : mm)

a	b	c	d
(370)	13.5±1.5	φ100.0±1.0	φ13.0±0.5
e	f	g	
φ21.0±1.0	2.0±0.5	2.0±0.5	

Direction of product insertion

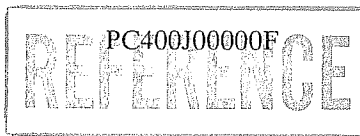


Outer packing appearance



Regular packing mass : Approx. 3kg

() : Reference dimensions



Precautions for Photocouplers

1. Cleaning

- (1) Solvent cleaning : Solvent temperature 45°C or less
Immersion for 3 min or less
- (2) Ultrasonic cleaning : The effect to device by ultrasonic cleaning differs by cleaning bath size, ultrasonic power output, cleaning time, PCB size or device mounting condition etc. Please test it in actual using condition and confirm that any defect doesn't occur before starting the ultrasonic cleaning.
- (3) Applicable solvent : Ethyl alcohol, Methyl alcohol, Isopropyl alcohol
When the other solvent is used, there are cases that the packaging resin is eroded.
Please use the other solvent after thorough confirmation is performed in actual using condition.

2. Static electricity

Transistor of detector side in bipolar configuration is apt to be affected by static electricity for its minute design. When handling them, general counterpane against static electricity should be taken to avoid breakdown of devices or degradation of characteristics.

3. Circuit design

- (1) In order to stabilize power supply line, we recommend to connect a by-pass capacitor of 0.01 μ F or more between Vcc and GND near the device.
- (2) The LED used in the Photocoupler generally decreases the light emission power by operation. In case of long operation time, please design I_F value so that I_F is twice or more of the Maximum value of the "H→L" threshold input current at circuit design with considering the decreases of the light emission power of the LED. (50%/5years)
- (3) The detector which is used in this device has parasitic diode between each pins and GND. There are cases that miss operation or destruction may be occurred if electric potential of any pin fall below GND level in an instant.
Therefore it is recommended to design the circuit that electric potential of any pin does not become below GND level.
- (4) When steep voltage noise is applied between the primary side and the secondary side of the photocoupler, current flows or changes in the light emitting diode through a parasitic capacitance between the primary side and the secondary side of the photocoupler, then there is a case that miss operation occurs depending upon the applied noise level. We should certainly recommend to use a by-pass capacitor between both terminals of the light emitting diode when used in noisy environment.

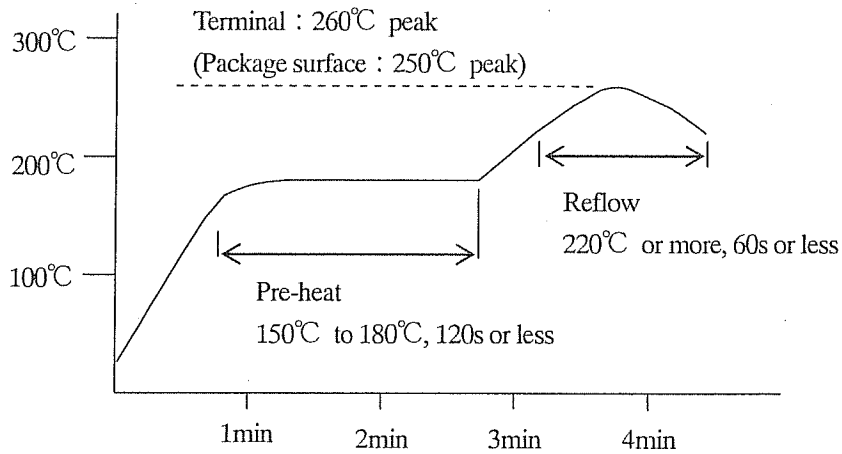
4. Precautions for Soldering

- (1) In the case of flow soldering (Whole dipping is possible.)

It is recommended that flow soldering should be at 260°C or less for 10 s or less
 (Pre-heating : 100 to 150°C, 30 to 80s). (2 times or less)

- (2) If solder reflow :

It is recommended to be done at the temperature and the time within the temperature profile as shown in the figure below. (2 times or less)



- (3) In the case of hand soldering

What is done on the following condition is recommended.(2 times or less)

Soldering iron temperature : 400°C or less

Time : 3s or less

- (4) Other precautions

Depending on equipment and soldering conditions (temperature, Using solder etc.), the effect to the device and the PCB is different.

Please confirm that there is no problem on the actual use conditions in advance