

General Specifications

Motor Protection:

Auto Restart/Polarity Protection

Insulation Resistance:

10M Ω or over with a DC500V Megger

Dielectric Withstand Voltage: AC 700V 1s

Allowable Ambient Temperature Range:

-10°C ~ +70°C (Operating)

-40°C ~ +70°C (Storage)

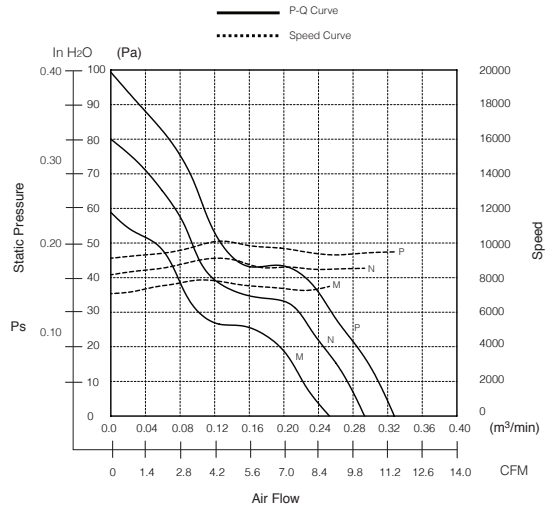
(non-condensing environment)

Expected Life

Failure Rate: 10%

60°C 40,000 Hours

Characteristic Curves



Material

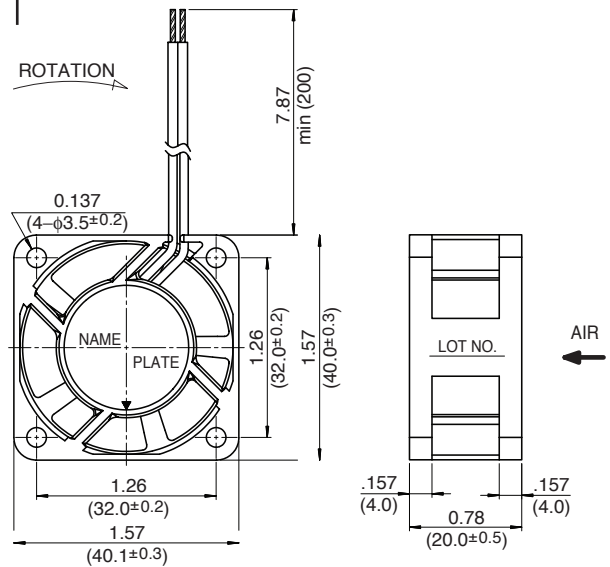
Casing : Plastic (Black) UL94V-0

Impeller : Plastic (Black) UL94V-0

Bearing : Ball Bearing

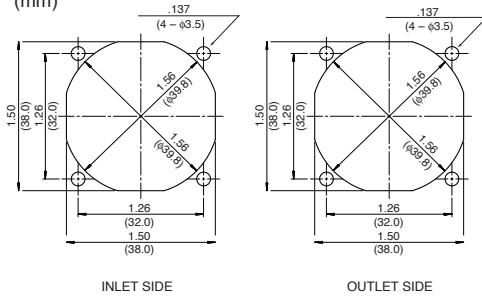
Lead Wire : UL1007, AWG26, +Red, -Black

Outline



Panel Cut-Outs

Units: inch (mm)



Specifications

MODEL	LEGACY P/N	Rated Voltage	Operating Voltage	Current	Input Power	Speed	Max. Air Flow		Max. Static Pressure		Noise	Mass
		(V)	(V)	(A)*1	(W)*1	(min ⁻¹)*1	CFM*1	(m ³ /min)*1	in H ₂ O	(Pa)*1	(dB)*1	(g)
04020VA-12M-AA-00	1608VL-04W-B40-B00	12	7.0 ~ 13.2	0.08	1.02	7500	8.8	0.25	.24	58.8	29.0	40
04020VA-12N-AA-00	1608VL-04W-B50-B00	12	7.0 ~ 13.2	0.11	1.32	8500	10.2	0.29	.31	76.6	31.4	40
04020VA-12P-AA-00	1608VL-04W-B60-B00	12	7.0 ~ 13.2	0.13	1.56	9500	11.3	0.32	.40	99.3	34.6	40
04020VA-12Q-AA-00	1608VL-04W-B70-B00	12	4.0 ~ 12.6	0.20	2.40	10500	12.7	0.36	.50	125.0	37.7	40
04020VA-24M-AA-00	1608VL-05W-B40-B00	24	14.0 ~ 26.4	0.05	1.20	7500	8.8	0.25	.24	58.8	29.0	40
04020VA-24N-AA-00	1608VL-05W-B50-B00	24	14.0 ~ 26.4	0.07	1.68	8500	10.2	0.29	.31	76.6	31.4	40
04020VA-24P-AA-00	1608VL-05W-B60-B00	24	14.0 ~ 26.4	0.10	2.40	9500	11.3	0.32	.40	99.3	34.6	40

Rotation: Clockwise

Airflow Outlet: Air Out Over Struts

*1: Average Values in Free Air

Note: PWM/Locked Rotor/Tach Available