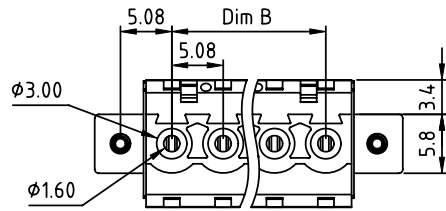
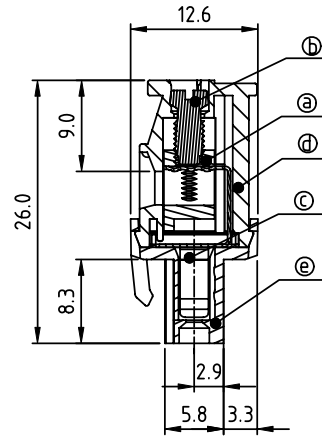
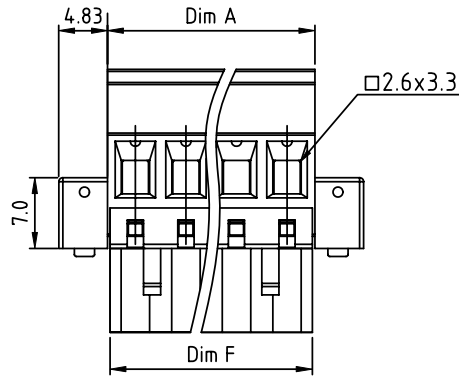
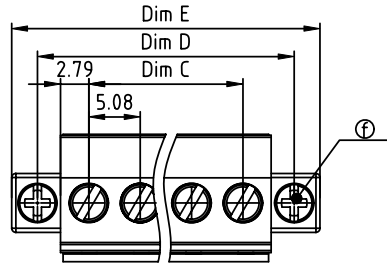


PRODUCT NUMBER	PITCH
TSxx51xC00J0G	5.08 mm

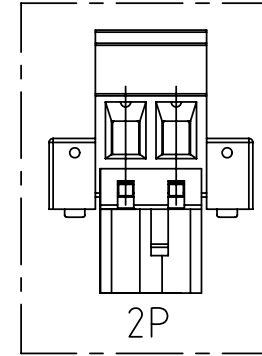


N = Number of poles  
 Dim A=Nx5.08+0.5  
 Dim B=(N-1)x5.08  
 Dim C=(N-1)x5.08  
 Dim D=(N-1)x5.08+10.16  
 Dim E=(N-1)x5.08+15.24  
 Dim F=Nx5.08

poles	Tolerance
2-6p	±0.15
7-12p	±0.25
13-18p	±0.30
19-24p	±0.40

PART NO.: TS xx 51 x C 00J0 G

Solid block	0	Black (RAL9005)	RoHS compliant (lead<4%) In copper Alloy
No. of poles	2	Red (RAL3001/D)	
02 2 poles	3	Orange(RAL2011/P)	
03 3 poles	4	Yellow(RAL1018/A)	
...	5	Green(RAL6018/T)	
24 24 poles	6	Blue (RAL5015/A)	
	8	Grey(RAL7035/D)	
	9	White(RAL1102)	
	C	Green(RAL6018/U)	



Material

- Item① Clamp: Brass(CuZn), Ni plating
- Item② Terminal screw: Steel Zinc plating "-" slot type
- Item③ Female contact: PhBz, Tin plated
- Item④ Top body: Thermoplastic (UL94V-0)
- Item⑤ Bottom body: Thermoplastic (UL94V-0)
- Item⑥ With flange screw: Steel Zinc plating M2.5 "+/-" combination type

Electrical cULus/VDE/TUV

- Voltage rating: 300VAC/300VAC/300VAC
- Current rating: 15A/17A/15A
- Wire range: 2.5mm<sup>2</sup>/0.34-2.5mm<sup>2</sup>
- Solid wire(AWG): 12-24
- Stranded wire(AWG): 12-24
- Torque: 3.5Lb-In./0.5Nm/0.4Nm
- Screw: M3
- Wire strip length: 6-7mm
- Withstanding Voltage: 1.6KV/2.5KV/2.5KV
- Operating temperature: -40°C to +115°C
- Safety approval:

mat'l. code		surface ASME Y14.5	tolerance ASME Y14.5	projection 	product family TERMINAL BLOCK
ltr	ecn no	dr	date	tolerances unless otherwise specified	title TERMINAL BLOCK
				angles 	PLUGGABLE PLUG,HOOK ON ENTRY SIDE,WITH FLANGE
				X±0.5	scale
				X.X±0.3	MM
				X*±1"	X.XX±0.1
dr	EVIN ZHONG	041914			FCI
enr	EVIN ZHONG	041914			dwg no
chr	HANKE FENG	041914			sheet 1 of 1 size
appd	SHI JUN	041914			TSxx51xC00J0G
					A4
sheet index	revision	A			type
	sheet	1			CUSTOMER Drawing