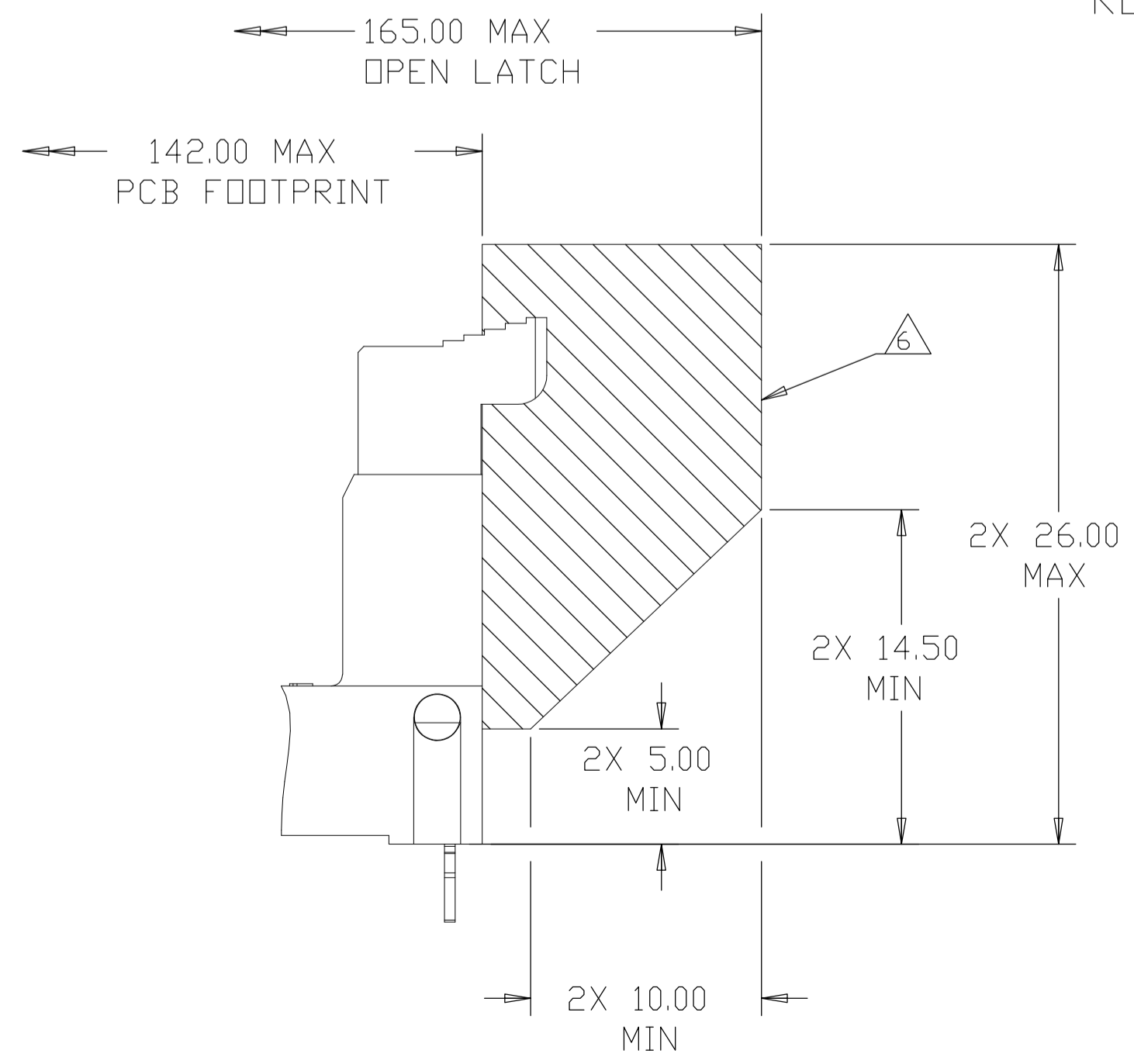
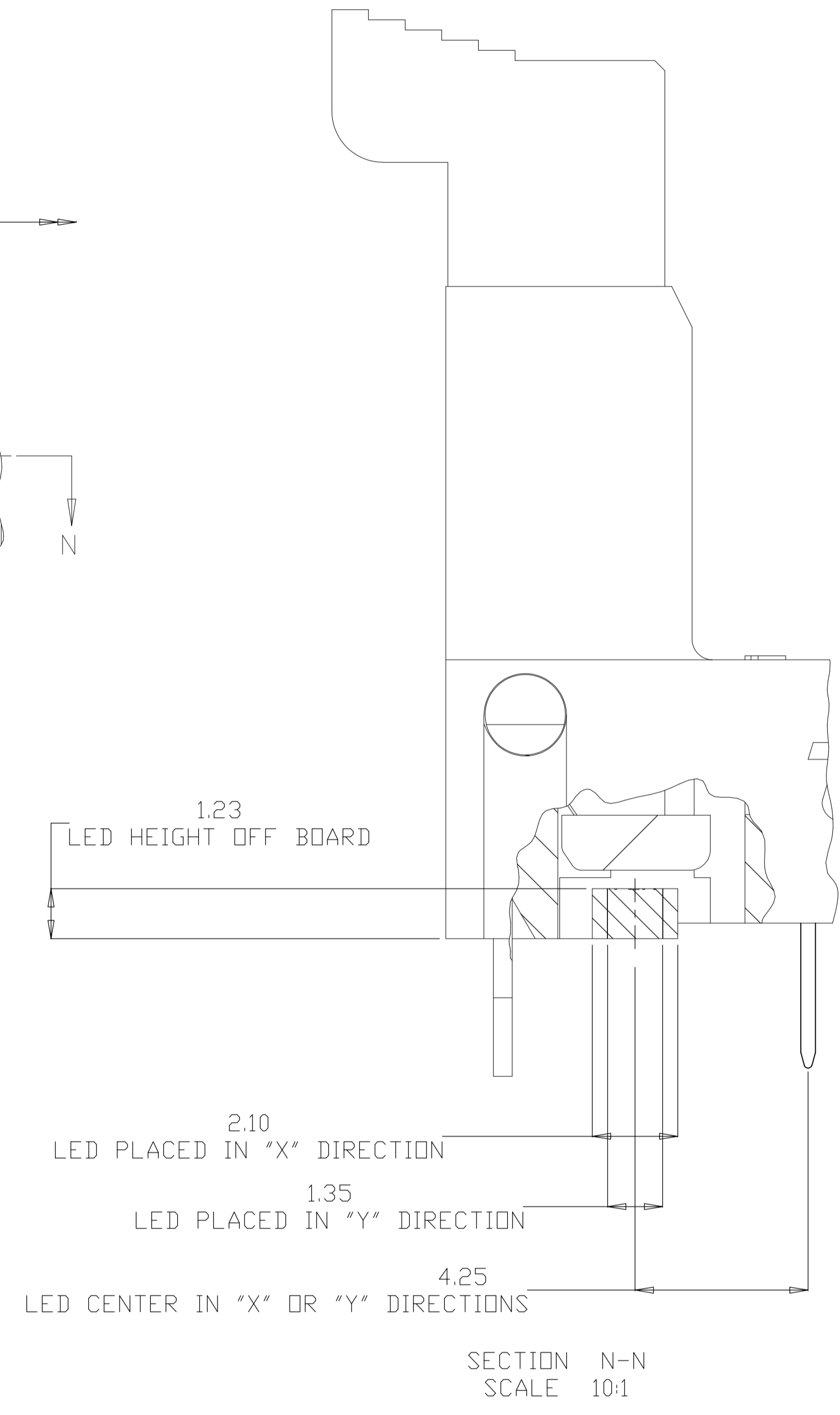
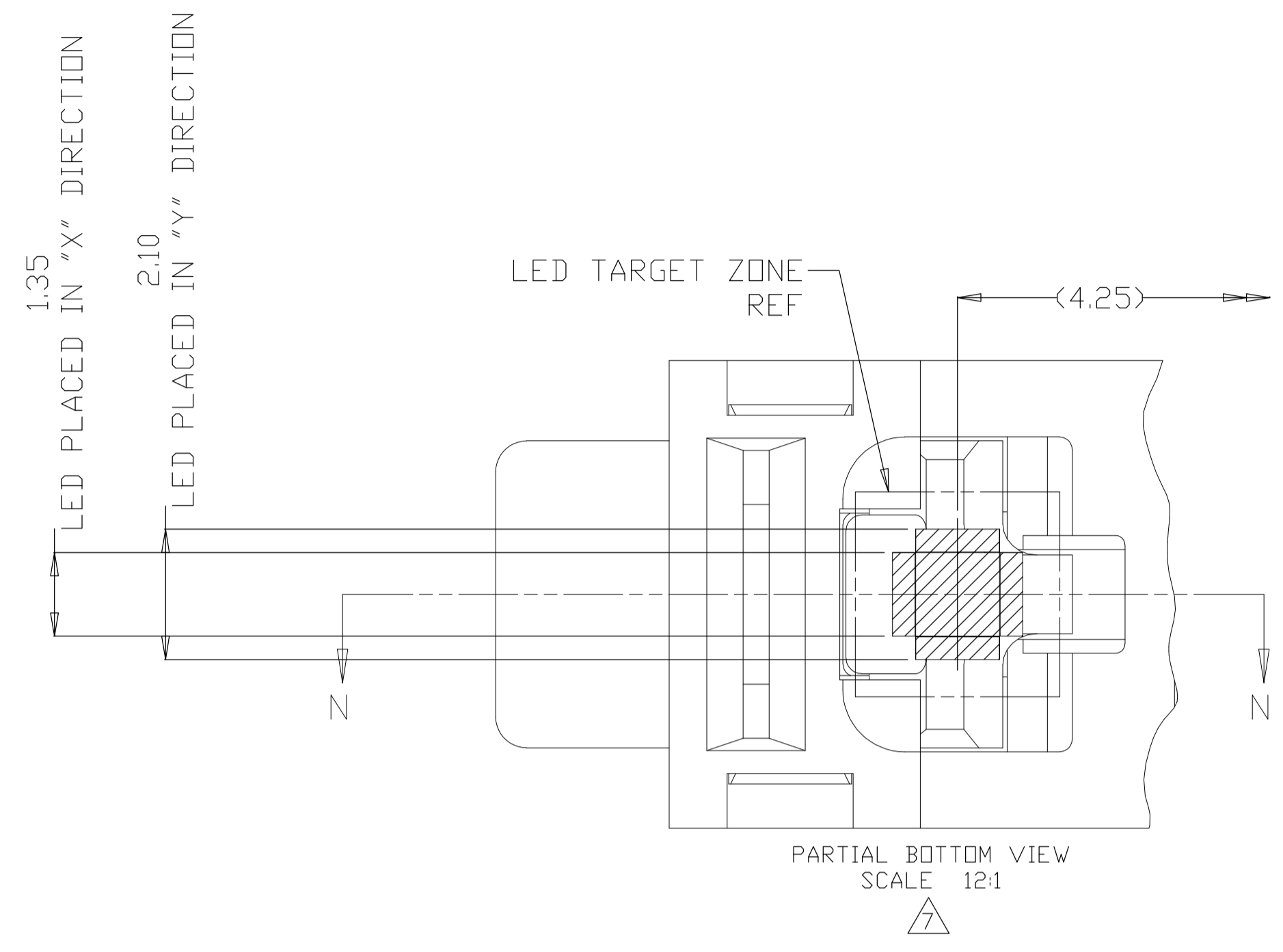


RETENTION BARB TYPE SHOWN ON ALL SHEET UNLESS OTHERWISE NOTED

- MATERIALS:**
- HOUSING: HIGH TEMPERATURE NYLON, UL94 V-0
  - EXTRACTOR: HIGH TEMPERATURE NYLON, UL94 V-0
  - CONTACTS: COPPER ALLOY
  - RETENTION BARB: BRASS, TIN PLATED
- INTERFACE FINISH:**
- 0.00038 MIN THK GOLD OVER 0.00127 MIN THK NICKEL.
  - 0.00008 MIN THK GOLD OVER 0.00127 MIN THK NICKEL.
  - 0.00076 MIN THK GOLD OVER 0.00127 MIN THK NICKEL.
- FINISHED HOLE SIZE:** 0.15 MAXIMUM ANNULAR RING.
- KEEP OUT ZONE:**
- KEEP OUT AREA RESERVED FOR SOCKET EXTRACTORS, BOTH ENDS.
- SOLDERTAIL FINISH:** 0.00300 MIN THK MATTE TIN OVER 0.00127 MIN THK NICKEL.
- LED LOCATION AS APPLICABLE PER CUSTOMER.**
- DATUM -G- IS CONNECTOR SIDE SURFACE OF PCB.**



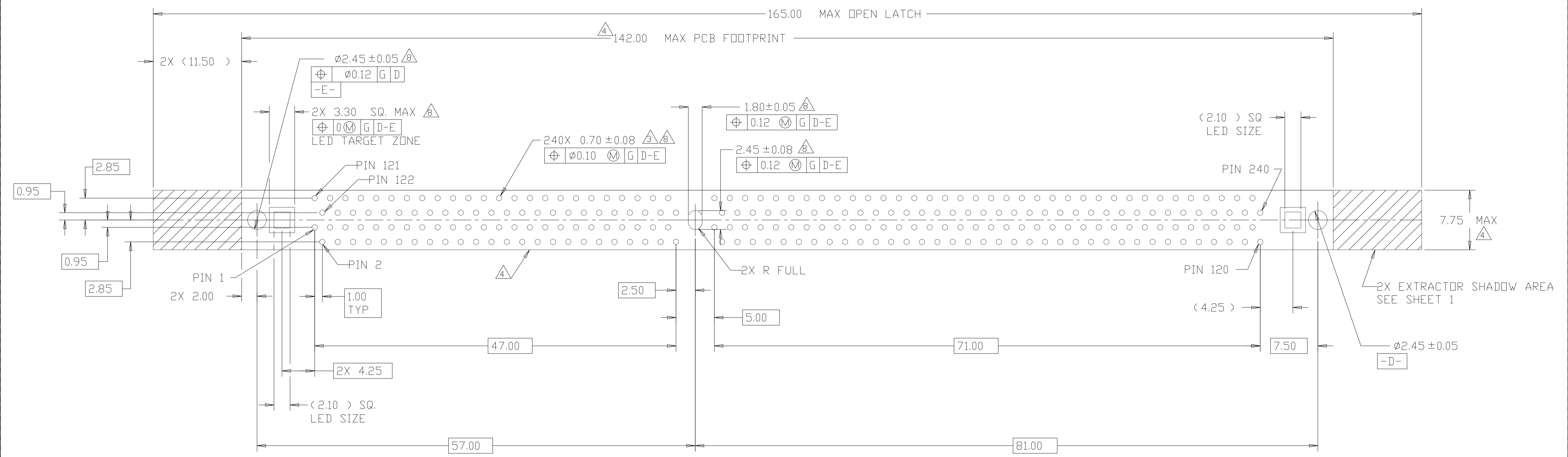
|  |  |  |  |  |  |
|--|--|--|--|--|--|
| THIS DRAWING IS A CONTROLLED DOCUMENT. |  | DWG: LEO ZHOU 28FEB2007                |  | TE Connectivity  |  |
|  |  | CHK: STEVEN YAO 28FEB2007              |  |  |  |
| DIMENSIONS: mm                         |  | TOLERANCES UNLESS OTHERWISE SPECIFIED: |  | NAME: SOCKET ASSEMBLY, VERTICAL DDR3 DIMM, SOLDER TAIL, 240 POSITION |  |
|  |  | 0. PLC ± -                             |  | PRODUCT SPEC: 108-2256   |  |
|  |  | 1. PLC ± 0.5                           |  | APPLICATION SPEC: 114-13154  |  |
|  |  | 2. PLC ± 0.13                          |  | SIZE: A1   |  |
|  |  | 3. PLC ± 0.013                         |  | CASE CODE: 00779   |  |
|  |  | 4. PLC ± 0.0001                        |  | DRAWING NO: 1932000  |  |
|  |  | ANGLES ± -                             |  | RESTRICTED TO: -   |  |
| MATERIAL:                              |  | FINISH:                                |  | CUSTOMER DRAWING   |  |
|  |  | SCALE: 4:1                             |  | SHEET 1 OF 4   |  |
|  |  |  |  | REV H7   |  |



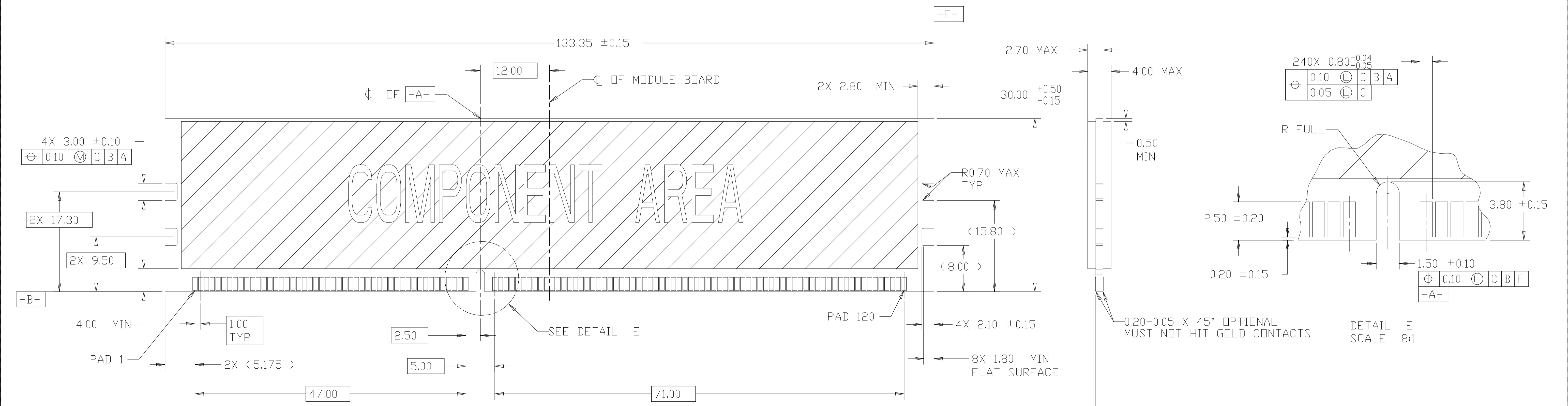
|                |                 |   |                           |             |             |
|----------------|-----------------|---|---------------------------|-------------|-------------|
| RETENTION BARB | BLACK           | BLACK                                     | 0.00076 MIN (30u'')       | 2.54        | 7-1932000-6 |
|                | NATURAL         | BLACK                                     | 0.00076 MIN (30u'')       | 2.54        | 7-1932000-5 |
|                | NATURAL         | BLUE(2935U)                               | 0.00038 MIN(15u'')        | 2.67        | 7-1932000-2 |
|                | NATURAL         | PINK(701C)                                | 0.00008 MIN (3u'', FLASH) | 2.54        | 6-1932000-5 |
|                |                 | BLUE(284C)                                |                           | 2.54        | 6-1932000-4 |
|                | BLACK           | BLACK                                     | 0.00076 MIN (30u'')       | 4.00        | 5-1932000-2 |
|                |                 |   |                           | 3.18        | 5-1932000-1 |
|                | NATURAL         | BLACK                                     | 0.00076 MIN (30u'')       | 4.00        | 4-1932000-8 |
|                |                 |   |                           | 3.18        | 4-1932000-7 |
|                |                 |   |                           | 2.67        | 4-1932000-6 |
|                | NATURAL         | GREEN(368C)<br>BLUE(284C)<br>ORANGE(021C) | 0.00038 MIN (15u'')       | 2.67        | 3-1932000-3 |
|                |                 |   |                           | 2.67        | 2-1932000-5 |
|                |                 |   |                           | 2.67        | 2-1932000-1 |
|                | BLACK           | BLACK                                     | 0.00038 MIN (15u'')       | 3.18        | 1-1932000-7 |
|                |                 |   |                           | 2.67        | 1-1932000-6 |
|                | NATURAL         | BLACK                                     | 0.00008 MIN(3u'')         | 4.00        | 1-1932000-5 |
| 3.18           |                 |   |                           | 1-1932000-1 |             |
| NATURAL        | NATURAL         | 0.00038 MIN (15u'')                       | 2.67                      | 1-1932000-0 |             |
|                |                 |   | 2.67                      | 1932000-7   |             |
|                |                 |   | 4.00                      | 1932000-6   |             |
|                |                 |   | 3.18                      | 1932000-5   |             |
| NATURAL        | NATURAL         | 0.00008 MIN (3u'', FLASH)                 | 2.67                      | 1932000-4   |             |
|                |                 |   | 4.00                      | 1932000-3   |             |
|                |                 |   | 3.18                      | 1932000-2   |             |
|                |                 |   | 2.67                      | 1932000-1   |             |
| HOUSING STYLE  | EXTRACTOR COLOR | HOUSING COLOR                             | CONTACT GOLD INTERFACE    | TAIL LENGTH | PART NUMBER |

THIS DRAWING IS A CONTROLLED DOCUMENT.

|                |  |                           |  |
|----------------|--|---------------------------|--|
| DIMENSIONS: mm | TOLERANCES UNLESS OTHERWISE SPECIFIED: | DIN LEO ZHOU 28FEB2007    | STE  |
| 0 PLC ± -      | 1 PLC ± 0.5                            | CHK STEVEN YAO 28FEB2007  | TE Connectivity  |
| 2 PLC ± 0.13   | 3 PLC ± 0.013                          | APVD STEVEN YAO 28FEB2007 | SOCKET ASSEMBLY, VERTICAL DDR3 DIMM, SOLDER TAIL, 240 POSITION |
| 4 PLC ± 0.0001 | ANGLES ± -                             | PRODUCT SPEC              | RESTRICTED TO  |
| MATERIAL       | FINISH                                 | APPLICATION SPEC          | SIZE CAGE CODE DRAWING NO                                      |
|                |  | WEIGHT                    | A1 00779 1932000   |
|                |  | CUSTOMER DRAWING          | SCALE 4:1 SHEET 2 OF 4 REV H7                                  |

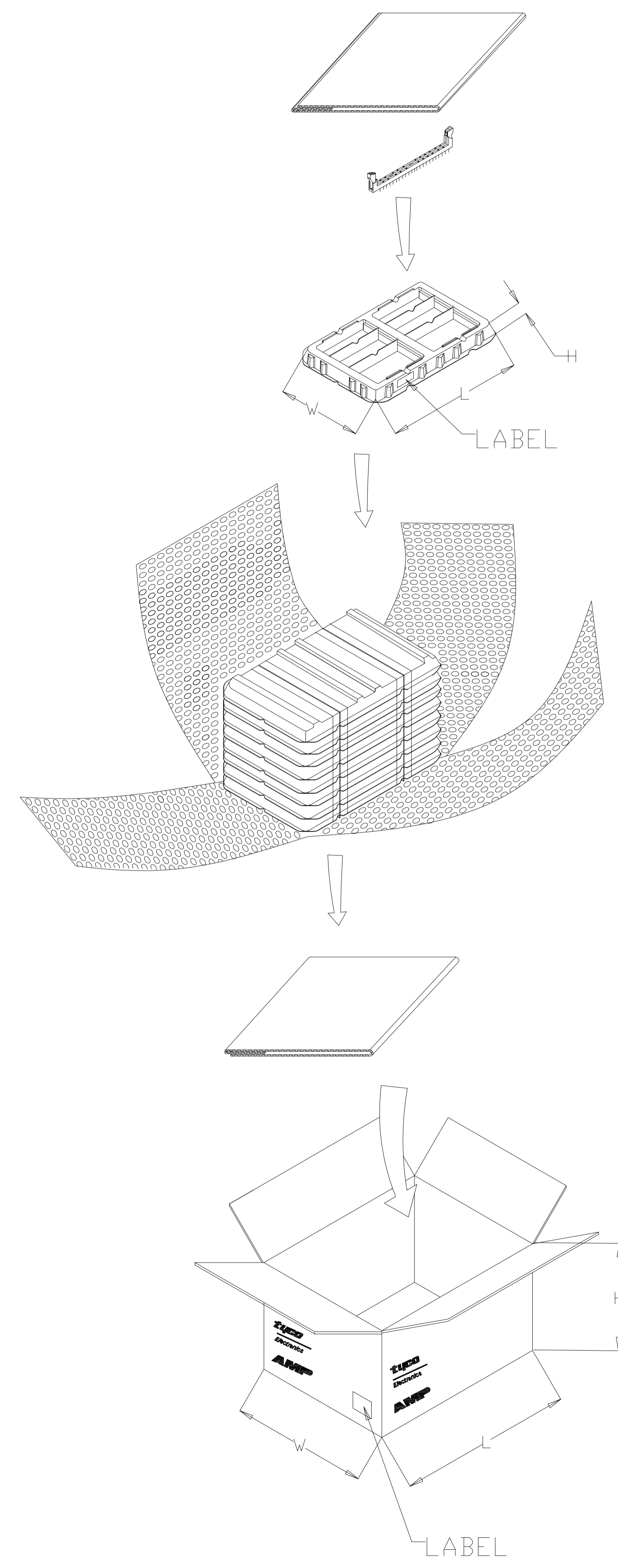


RECOMMENDED PCB LAYOUT  
VIEWED FROM CONNECTOR SIDE



RECOMMENDED MODULE LAYOUT  
SCALE 3:1  
REFER TO JEDEC MO-269 FOR COMPLETE MODULE DETAILS

|  |  |                  |            |           |  |
|--|--|------------------|------------|-----------|--|
| THIS DRAWING IS A CONTROLLED DOCUMENT. |  | DIN              | LEO ZHOU   | 28FEB2007 | <br>TE Connectivity  |
|  |  | CHK              | STEVEN     | 28FEB2007 |  |
|  |  | APVD             | STEVEN YAO | 28FEB2007 | NAME   |
|  |  | PRODUCT SPEC     |            |           | SOCKET ASSEMBLY,<br>VERTICAL DDR3 DIMM,<br>SOLDER TAIL, 240 POSITION |
|  |  | APPLICATION SPEC |            |           | SIZE   |
|  |  | WEIGHT           |            |           | CAGE CODE  |
|  |  | CUSTOMER DRAWING |            |           | DRAWING NO   |
|  |  | SCALE 4:1        |            |           | SHEET 3 OF 4   |
|  |  | REV              |            |           | RESTRICTED TO  |



BOTTOM TRAY

TRAY

CARTON

NOTES:

1. MATERIAL:
  - 1.1 TRAY: PVC
  - 1.2 SHIPPING CARTON : CORRUGATED FIBERBOARD
2. DIMENSION :
  - 2.1 TRAY : L=363, W=255, H=33
  - 2.2 SHIPPING CARTON : L=375, W=265, H=280
3. QUANTITY :
  - 3.1 PRIMARY PACKING : 50 PCS/TRAY
  - 3.2 SECONDARY PACKING : 8 TRAY/CARTON(400PCS)
4. WEIGHT :
  - 4.1 NET WEIGHT : 3.76 KG
  - 4.2 GROSS WEIGHT: 6.00 KG

|   |  |   |  |  |  |
|---|--|---|--|--|--|
| THIS DRAWING IS A CONTROLLED DOCUMENT.  |  | DIN LEO ZHOU 28FEB2007  |  | TE Connectivity  |  |
| DIMENSIONS: mm  |  | CHK STEVEN 28FEB2007  |  |  |  |
| TOLERANCES UNLESS OTHERWISE SPECIFIED:<br>0. PLC ± -<br>1. PLC ± 0.50<br>2. PLC ± 0.13<br>3. PLC ± 0.013<br>4. PLC ± 0.0001<br>ANGLES ± - |  | APVO STEVEN YAO 28FEB2007<br>PRODUCT SPEC<br>APPLICATION SPEC |  | NAME<br>SOCKET ASSEMBLY,<br>VERTICAL DDR3 DIMM,<br>SOLDER TAIL, 240 POSITION |  |
| MATERIAL - FINISH -   |  | WEIGHT -  |  | SIZE A1<br>CAGE CODE 00779<br>DRAWING NO. 1932000                            |  |
| CUSTOMER DRAWING  |  |   |  | RESTRICTED TO<br>SCALE -- SHEET 4 OF 4 REV H7                                |  |