

## Interactive Catalog Replaces Catalog Pages

Honeywell Sensing and Control has replaced the PDF product catalog with the new **Interactive Catalog**. The **Interactive Catalog** is a power search tool that makes it easier to find product information. It includes more installation, application, and technical information than ever before.



**Click this icon to try the new  
Interactive Catalog.**

---

### **Sensing and Control**

Honeywell Inc.

11 West Spring Street

Freeport, Illinois 61032

# Basic Switches

## Double-pole Double-throw

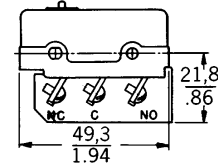


### FEATURES

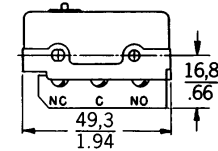
- Two independent single-pole double-throw circuits on one housing
- Design permitting several wiring combinations
- Savings in space and weight
- Mounting interchangeability with type Z switches
- Temperature tolerance to +180°F (82°C)
- UL recognized, CSA certified

### AVAILABLE TERMINALS

**B6**  
6-32 UNC x .188"  
(No. 5 pan head screws)



**A7**  
4-40 UNC x .125"  
Screws with lockwashers.  
Fiberglass insulator isolates terminals and prevents accidental shorting.



### ELECTRICAL RATING

Circuitry	Electrical Data and UL Codes
Double-pole double-throw 	<b>J</b> 10 amps, 125 or 250 vac; 0.3 amp, 125 vdc; 0.15 amp, 250 vdc. UL Code L59

**Characteristics:** O.F. — Operating Force; R.F. — Release Force; P.T. — Pretravel; O.T. — Overtravel; D.T. — Differential Travel; O.P. — Operating Position.

### DOUBLE-POLE DOUBLE-THROW



Dim. Dwg. Fig. 1

### ORDER GUIDE

Catalog Listing	Description	Electrical Data and UL Code	O.F. max. newtons	R.F. min. newtons	P.T. max. mm inches	O.T. mm inches	D.T. max. min. mm inches	O.P.* mm inches
<b>DT-2R-A7</b> <b>MS25008-1</b>	Pin plunger	10 Amps <b>J</b>	3,34-5,56 <b>12-20</b>	0,56 <b>2</b>	1,91 <b>.075</b>	0,13 <b>.005</b>	1,02-1,52 <b>.040-.060</b>	15,6 <b>.615±.015</b>



Dim. Dwg. Fig. 9

<b>DT-2RS1-A7</b>	Straight plunger	10 Amps <b>J</b>	3,34-5,56 <b>12-20</b>	0,28 <b>1</b>	1,91 <b>.075</b>	0,51 <b>.020</b>	1,02-1,52 <b>.040-.060</b>	28,2±0,38 <b>1.11±.015</b>
-------------------	------------------	---------------------	---------------------------	------------------	---------------------	---------------------	-------------------------------	-------------------------------



Dim. Dwg. Fig. 3

<b>DT-2RV3-A7</b>	Straight lever Reversed lever position	10 Amps <b>J</b>	1,11-1,95 <b>4-7</b>	0,14 <b>0.5</b>	6,86 <b>.270</b>	0,25 <b>.010</b>	2,92-4,83 <b>.115-.190</b>	18,3 <b>.719</b>
-------------------	---	---------------------	-------------------------	--------------------	---------------------	---------------------	-------------------------------	---------------------



Dim. Dwg. Fig. 2

<b>DT-2RV-A7</b>	Straight lever	10 Amps <b>J</b>	0,97-1,67 <b>3.5-6</b>	0,28 <b>1</b>	25,4 <b>1</b>	1,57 <b>.062</b>	12,4-19,2 <b>.490-.755</b>	21,8 <b>.859</b>
------------------	----------------	---------------------	---------------------------	------------------	------------------	---------------------	-------------------------------	---------------------

Except where stated \* ±0.76 mm ±.030 in.

# Basic Switches

## Double-pole Double-throw

### ORDER GUIDE



Dim. Dwg. Fig. 8

Catalog Listing	Recommended For	Electrical Data and UL Codes	O.F. max. newtons ounces	R.F. min. newtons ounces	P.T. max. mm inches	O.T. min. mm inches	D.T. max. mm inches	O.P.* mm inches
DT-2RV216-A7	Roller lever (centered steel roller)	10 Amps <b>J</b>	11,1 <b>2.5 lbs.</b>	1,11 <b>4</b>	1,02 <b>.040</b>	0,13 <b>.005</b>	0,51-0,76 <b>.020-.030</b>	31 <b>1.219</b>



Dim. Dwg. Fig. 5

DT-2RV22-A7	1.03 inch (26,2mm) roller lever (steel roller)	10 Amps <b>J</b>	2,5-4,17 <b>9-14</b>	0,83 <b>3</b>	-	0,79 <b>.031</b>	4,95-7,75 <b>.195-.305</b>	30,2±0,38 <b>1.188±.015</b>
-------------	--	---------------------	-------------------------	------------------	---	---------------------	-------------------------------	--------------------------------



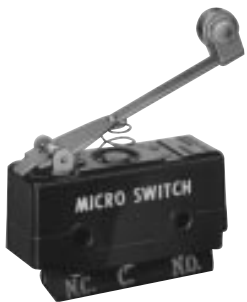
Dim. Dwg. Fig. 7

DT-2RV212-A7	Roller lever Reversed lever position	10 Amps <b>J</b>	2,5-4,17 <b>9-15</b>	0,42 <b>1.5</b>	3,3 <b>.130</b>	0,13 <b>.005</b>	1,27-2,16 <b>.050-.085</b>	29,4 <b>1.156</b>
--------------	--------------------------------------	---------------------	-------------------------	--------------------	--------------------	---------------------	-------------------------------	----------------------



Dim. Dwg. Fig. 6

DT-2RV23-A7	Roller lever Reversed lever position	10 Amps <b>J</b>	1,53-2,64 <b>5.5-9.5</b>	0,21 <b>.75</b>	4,45 <b>.175</b>	0,25 <b>.010</b>	2,16-3,43 <b>.085-.135</b>	29,4 <b>1.156</b>
-------------	--------------------------------------	---------------------	-----------------------------	--------------------	---------------------	---------------------	-------------------------------	----------------------



Dim. Dwg. Fig. 4

DT-2RV2-A7	1.90 inch (48,3 mm) roller lever (steel roller)	10 Amps <b>J</b>	1,25-2,09 <b>4.5-7.5</b>	0,42 <b>1.5</b>	—	1,19 <b>.047</b>	9,27-14,4 <b>.365-.565</b>	31,8 <b>1.250</b>
------------	---	---------------------	-----------------------------	--------------------	---	---------------------	-------------------------------	----------------------

Except where stated \* ±0,76 mm ±.030 in.

Auxiliary actuators see page 68-69.

Standard Basic Switches

# Basic Switches

DT Series

## Double-pole Double-throw

MOUNTING DIMENSIONS (For reference only)

### PIN PLUNGER

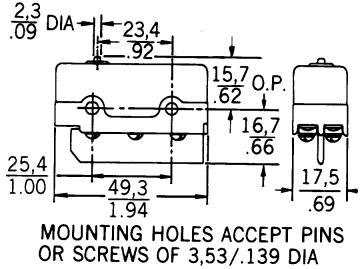


Fig. 1

### STRAIGHT LEVER

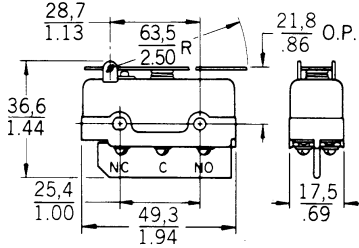


Fig. 2

### STRAIGHT LEVER

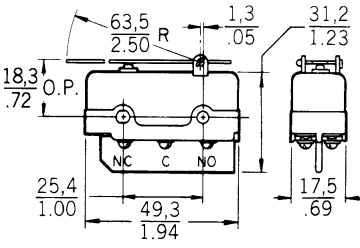


Fig. 3

### ROLLER LEVER

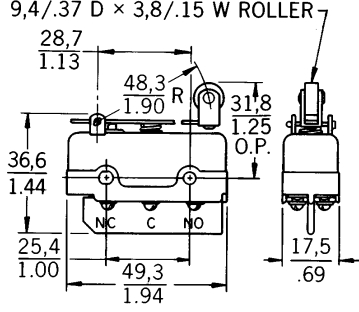


Fig. 4

Key:  $\frac{0,0}{0.00} = \frac{\text{mm}}{\text{inches}}$

# Basic Switches

DT Series

## Double-pole Double-throw

MOUNTING DIMENSIONS (For reference only)

### ROLLER LEVER

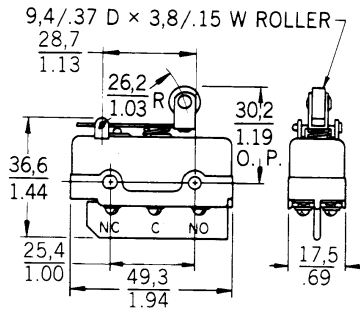


Fig. 5

### ROLLER LEVER

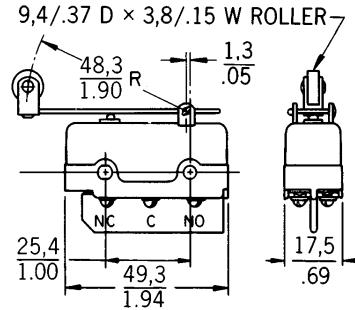


Fig. 6

### ROLLER LEVER

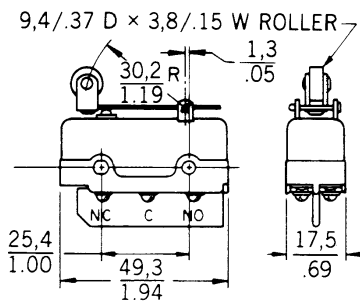


Fig. 7

### ROLLER LEVER

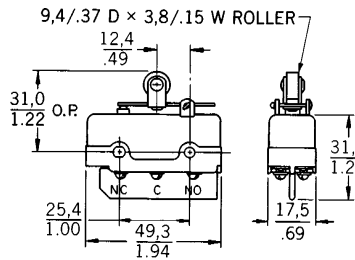


Fig. 8

### STRAIGHT PLUNGER

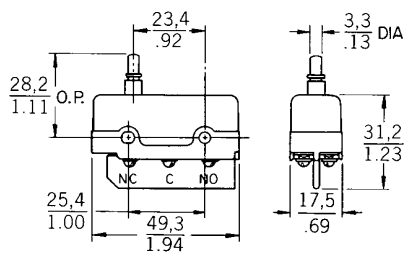


Fig. 9

Standard Basic Switches