

THIS DRAWING IS UNPUBLISHED. RELEASED FOR PUBLICATION 20
 © COPYRIGHT 20 BY TYCO ELECTRONICS CORPORATION. ALL RIGHTS RESERVED.

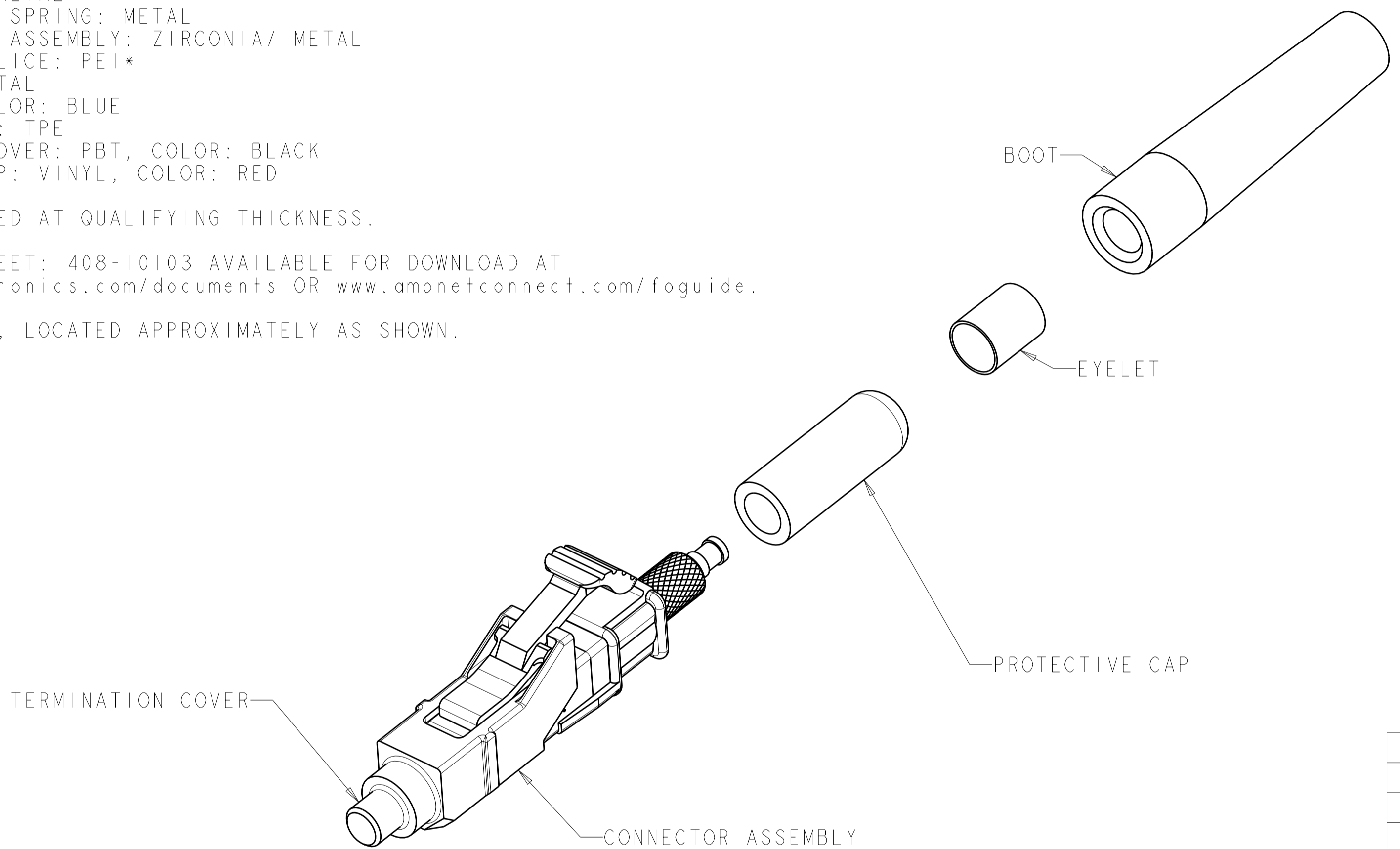
LOC	DIST	REVISIONS			
P	LTR	DESCRIPTION	DATE	DWN	APVD
CE	00				
	C	ECR-08-031868	30DEC2008	KG	SB
	CI	REVISE NOTE 2	16MAR2009	BB	SB

1 MATERIAL:
 CONNECTOR ASSEMBLY:
 CONNECTOR HOUSING: PPSU, COLOR: SEE -NO'S*
 REAR BODY: METAL
 COMPRESSION SPRING: METAL
 FERRULE SUB ASSEMBLY: ZIRCONIA/ METAL
 INTERNAL SPLICE: PEI*
 PLUNGER: METAL
 BOOT: TPE, COLOR: BLUE
 BUILD-UP TUBE: TPE
 TERMINATION COVER: PBT, COLOR: BLACK
 PROTECTIVE CAP: VINYL, COLOR: RED

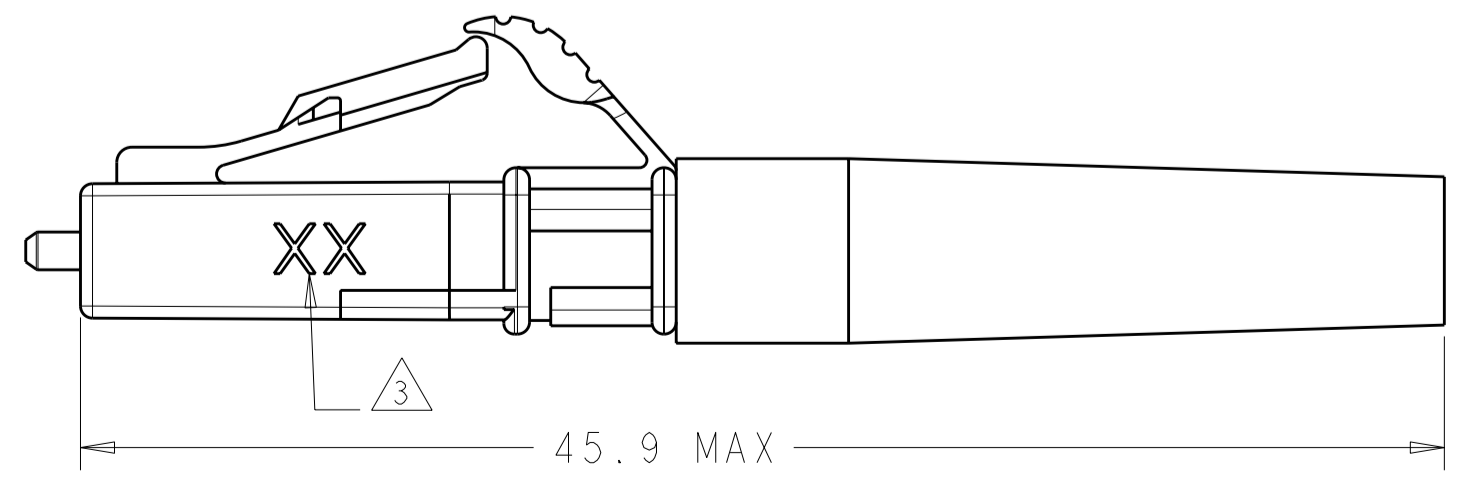
*UL94 V-0 RATED AT QUALIFYING THICKNESS.

2. INSTRUCTION SHEET: 408-10103 AVAILABLE FOR DOWNLOAD AT
www.tycoelectronics.com/documents OR www.ampnetconnect.com/foguide.

3 MARK WITH "SM", LOCATED APPROXIMATELY AS SHOWN.



SLATE	1-1828860-0
ORANGE	1828860-9
VIOLET	1828860-8
BROWN	1828860-7
AQUA	1828860-6
ROSE	1828860-5
BLUE	1828860-4
GREEN	1828860-3
YELLOW	1828860-2
RED	1828860-1
KEYED HOUSING COLOR	PART NO.



THIS DRAWING IS A CONTROLLED DOCUMENT FOR TYCO ELECTRONICS CORPORATION. IT IS SUBJECT TO CHANGE AND THE CONTROLLING ENGINEERING ORGANIZATION SHOULD BE CONTACTED FOR THE LATEST REVISION.

DWN	E MCCORMICK	16MAR2007	Tyco Electronics Harrisburg, PA 17105-3608
CHK	D ERDMAN	16MAR2007	
APVD	D BAECHTLE	16MAR2007	
PRODUCT SPEC			
APPLICATION SPEC			NAME KIT, CONNECTOR, LightCrimp Plus LC SECURE, SIMPLEX, SM, 1.6-2.0mm JACKET
WEIGHT			SIZE A2
CUSTOMER DRAWING			CAGE CODE 00779
			DRAWING NO 1828860
			RESTRICTED TO -
			SCALE 4:1
			SHEET 1
			OF 1
			REV CI