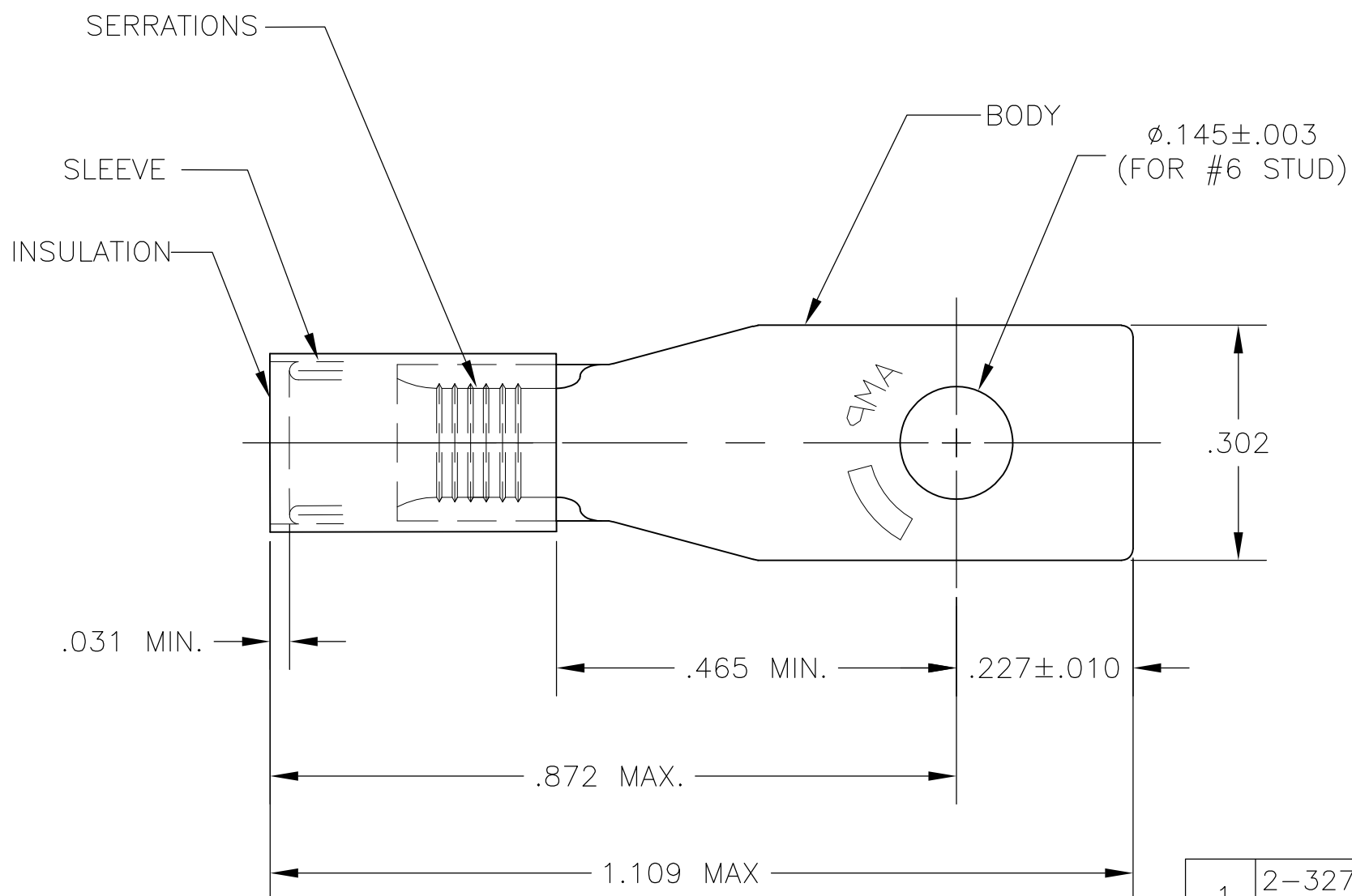


THIS DRAWING IS UNPUBLISHED. RELEASED FOR PUBLICATION  
 © COPYRIGHT BY TYCO ELECTRONICS CORPORATION. ALL INTERNATIONAL RIGHTS RESERVED.

LOC G	DIST 02	REVISIONS			
P	LTR	DESCRIPTION	DATE	DWN	APVD
	M1	REVISED PER ECR-09-026553	04DEC09	JR	TM



- 1 SUPERSEDED BY 2-327958-4
- 2 TONGUE MATERIAL THK=.031±.002 FOR "A" TO "B" WIRE INS. DIA
- 3 OBSOLETE PART NUMBER.
- 4 MEETS MS17143-5, CLASS 1 & 2

OBSOLETE

1	2-327940-1 ON TAPE	2-327940-3	INSULATION: NYLON(MIL-M-20693) TYPE I COLOUR: BLUE
1	WIRE TERMINAL	2-327940-1	BODY&SLEEVE: COPPER (QQ-C-576) TIN PL (MIL-T-10727)
1	2-327940-4 ON TAPE	2-327940-5	INSULATION: NYLON COLOUR: BLUE
1	WIRE TERMINAL	2-327940-4	SLEEVE: COPPER (QQ-C-576)
1	327940 ON TAPE	2-327940-2	BODY: COPPER (QQ-C-576)
1	WIRE TERMINAL	327940	TIN PL (MIL-T-10727)
QTY	DESCRIPTION	PART NO	MATERIAL & FINISH

2-327940-4	2-327940-5	.105	.150	1	4
2-327940-1	2-327940-3	.115	.170	3	
327940	2-327940-2	.115	.170	3	
PART NO	PART # ON TAPE	"A"	"B"		

THIS DRAWING IS A CONTROLLED DOCUMENT.		DWN RAGHAVENDRA HM 09JUN08	Tyco Electronics Corporation Harrisburg, PA 17105-3608	
DIMENSIONS: INCHES	TOLERANCES UNLESS OTHERWISE SPECIFIED:	CHK T MICHIELUTTI 09JUN08	NAME WIRE TERMINAL, PIDG, RECTANGULAR TONGUE WIRE SIZE : 16-14	
	0 PLC ± - 1 PLC ± - 2 PLC ± .008 3 PLC ± - 4 PLC ± - ANGLES ± 5'	APVD T MICHIELUTTI 09JUN08	PRODUCT SPEC -	
MATERIAL SEE TABLE	FINISH SEE TABLE	APPLICATION SPEC -	SIZE A3	CAGE CODE 00779
		WEIGHT -	DRAWING NO G-327940	RESTRICTED TO -
CUSTOMER DRAWING			SCALE 5:1	SHEET 1 OF 1
			REV M1	