

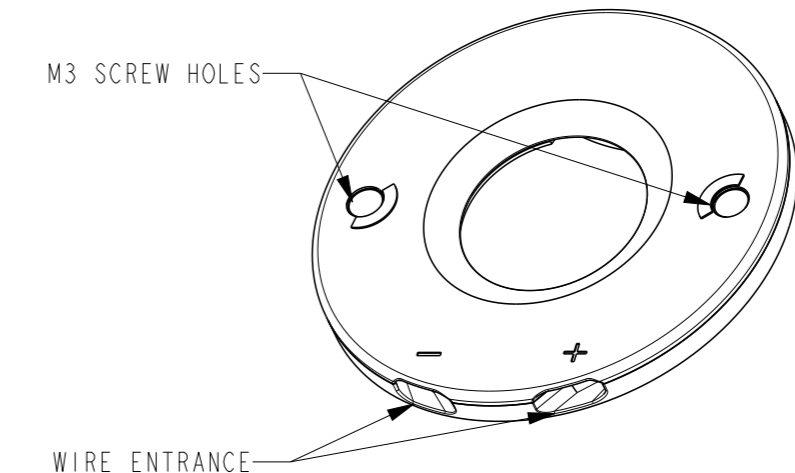
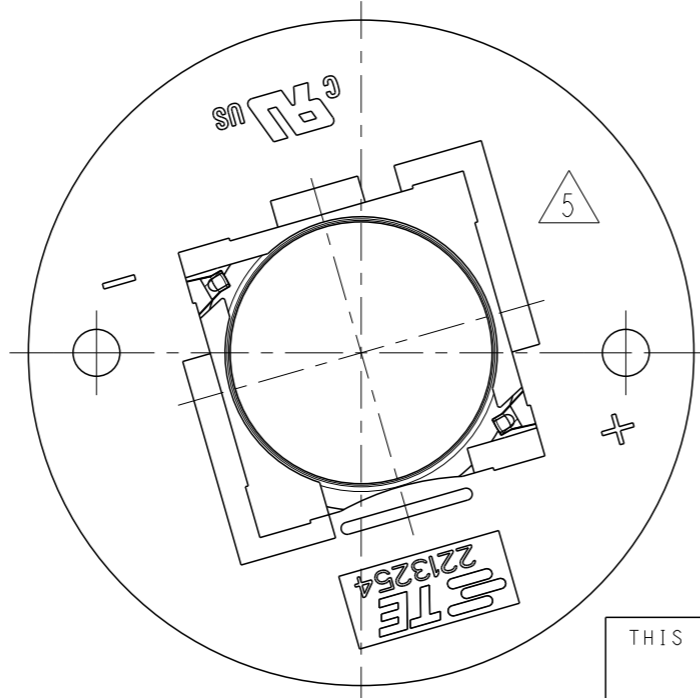
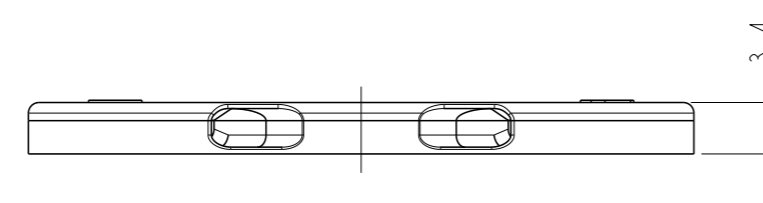
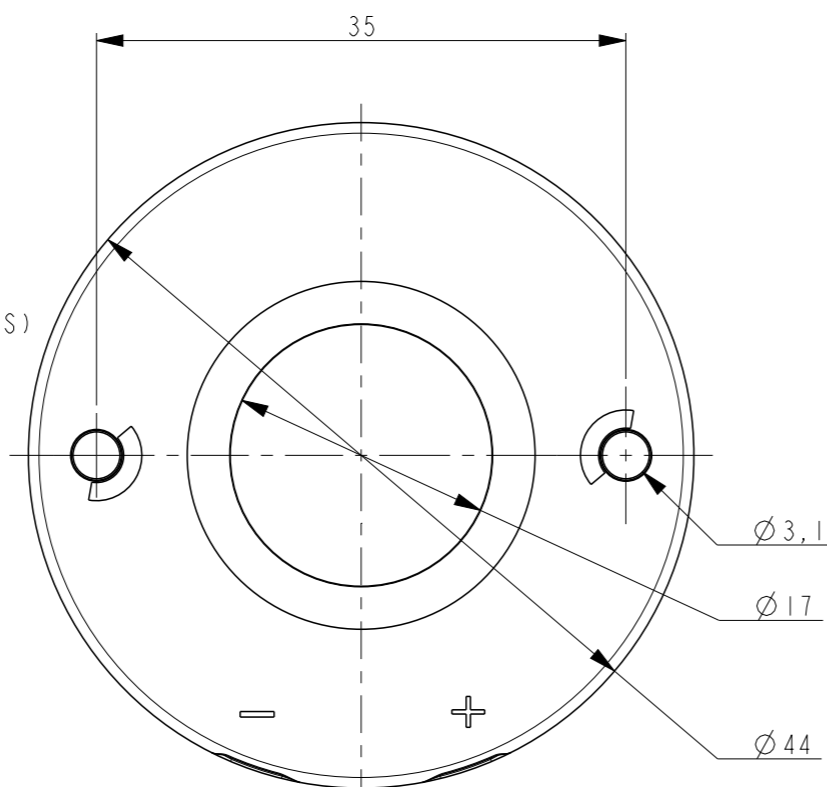
THIS DRAWING IS UNPUBLISHED. RELEASED FOR PUBLICATION

© COPYRIGHT - BY TYCO ELECTRONICS CORPORATION. ALL RIGHTS RESERVED.

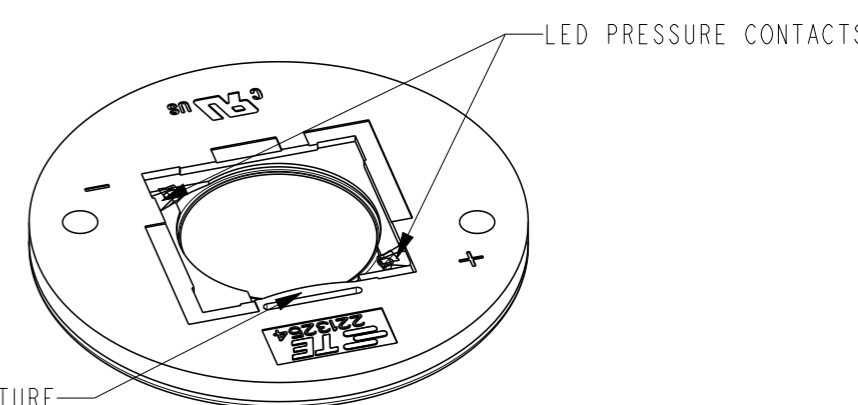
LOC	DIST	REVISIONS					
		P	LTR	DESCRIPTION	DATE	DWN	APVD
H	-		A1	REVISED PER ECR-14-000133	06JAN2014	AB	OL
			A2	ECR-16-001206	27JAN2016	KR	MvE
			A3	ADDED RELEASED LED	06FEB2017	RK	MvE
			B	MATERIAL CHANGE UPDATED	28FEB2017	RK	MvE

NOTES:

- MATERIALS:
HOUSING: GLASS FILLED PBT, HALOGEN FREE FLAME RETARDENT
COLOR : NATURAL/WHITE
CONTACTS: SILVER PLATED COPPER ALLOY
 - FOR SOLID AND STRANDED WIRE AWG 22-18
 - COMPLIES WITH DIRECTIVE 2002/95/EC (ROHS)
 - M3 SCREW TO BE USED FOR MOUNTING
- DATE CODE YY-WW-D ANY WHERE EXCEPT OVER LOGO OR +/- SIGN.




SCALE 3:2



2213254-1 AS SHOWN

LUMAWISE LED HOLDER Z50 LOW PROFILE

2213254-2	LUMAWISE LED HOLDER Z50 STANDARD PROFILE 1919
2213254-1	LUMAWISE LED HOLDER Z50 LOW PROFILE 1919
PART NUMBER	DESCRIPTION

THIS DRAWING IS A CONTROLLED DOCUMENT.		DWN	M.V.ESSEN	6-AUG-13	 TE Connectivity	NAME		LUMAWISE LED HOLDER Z50	
DIMENSIONS:		CHK	M.V.ESSEN	6-AUG-13		PRODUCT SPEC		108-133008	
mm		APVD	O.I.FIUNSE	6-AUG-13		APPLICATION SPEC		114-32048	
TOLERANCES UNLESS OTHERWISE SPECIFIED:		PRODUCT SPEC		WEIGHT		-		RESTRICTED TO	
0 PLC	±-	SIZE		A3	CAGE CODE	00779	DRAWING NO		C=2213254
1 PLC	±-	SCALE		2:1	SHEET		1	OF	3
2 PLC	±-	REVISION		B	REV		B		
3 PLC	±-	CUSTOMER DRAWING		SCALE		SHEET		OF	
4 PLC	±-	FINISH		-		-		-	
ANGLES	±-	MATERIAL		-		-		-	

THIS DRAWING IS UNPUBLISHED.

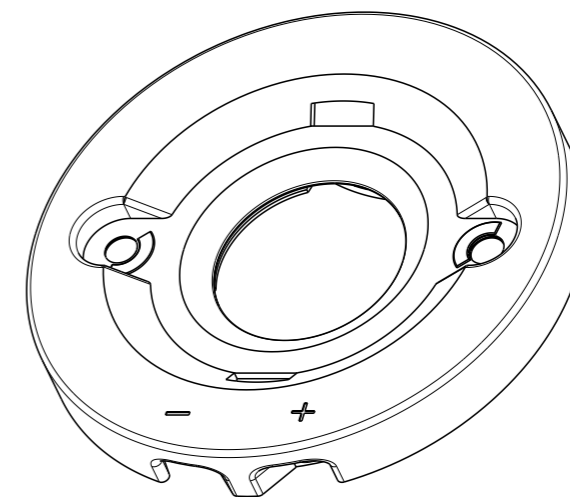
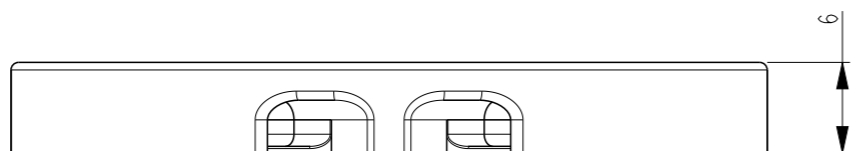
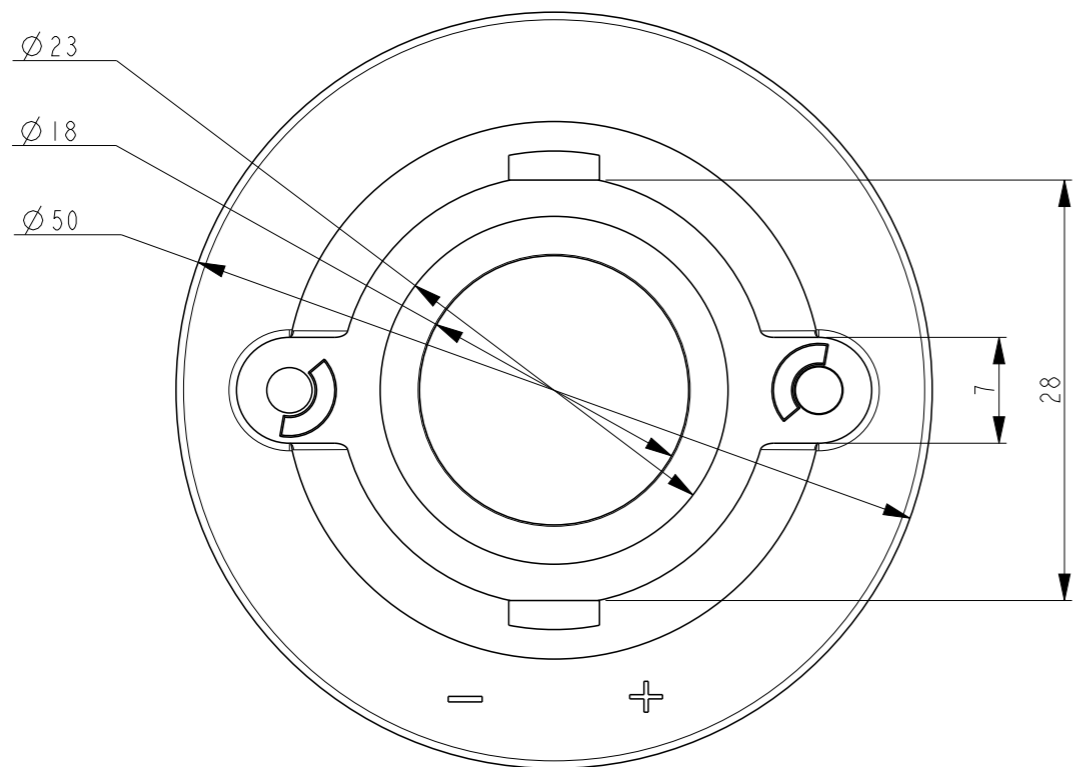
RELEASED FOR PUBLICATION

© COPYRIGHT - BY TYCO ELECTRONICS CORPORATION. ALL RIGHTS RESERVED.

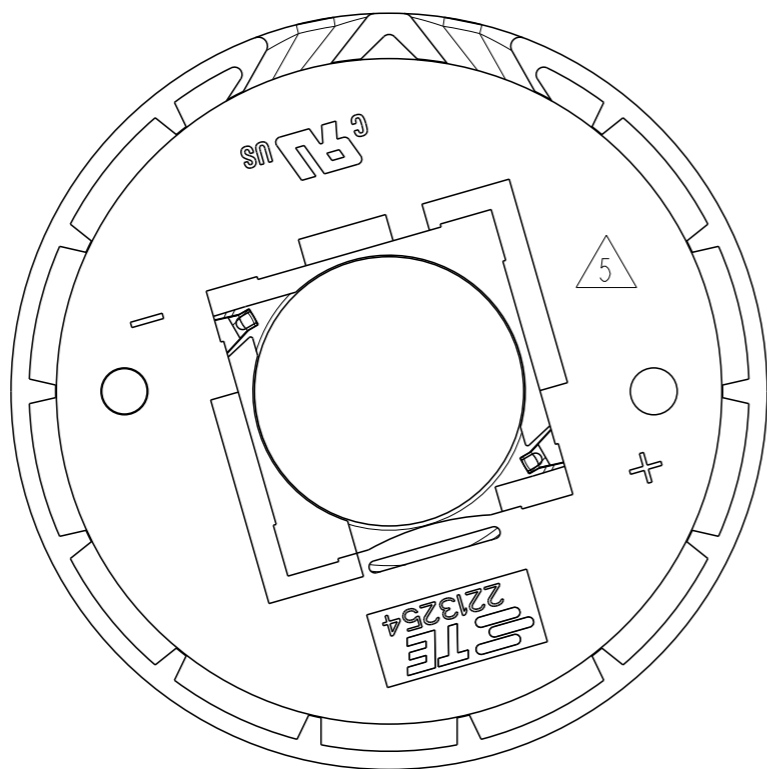
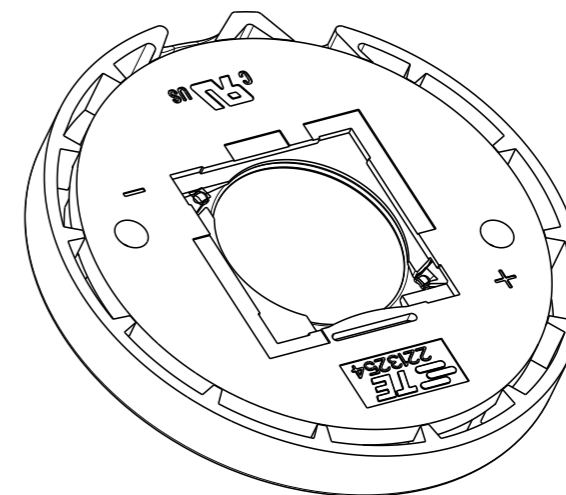
LOC DIST

REVISIONS

P	LTR	DESCRIPTION	DATE	DWN	APVD
	-	SEE SHEET 1	-	-	-



SCALE 3:2




2213254-2 AS SHOWN

LUMAWISE LED HOLDER Z50 STANDARD PROFILE

THIS DRAWING IS A CONTROLLED DOCUMENT.

DIMENSIONS: mm	TOLERANCES UNLESS OTHERWISE SPECIFIED: 0 PLC ±- 1 PLC ±- 2 PLC ±- 3 PLC ±- 4 PLC ±- ANGLES ±-
MATERIAL -	FINISH -

DWN M.V.ESSEN 6-AUG-13	 TE Connectivity
CHK M.V.ESSEN 6-AUG-13	
APVD O.I.FIJNSE 6-AUG-13	
PRODUCT SPEC 108-133008	
APPLICATION SPEC 114-32048	NAME LUMAWISE LED HOLDER Z50 1919
WEIGHT -	SIZE A3
CUSTOMER DRAWING	CAGE CODE 00779
	DRAWING NO G-2213254
	RESTRICTED TO -
	SCALE 2:1
	SHEET 2 OF 3
	REV B

THIS DRAWING IS UNPUBLISHED. RELEASED FOR PUBLICATION
 © COPYRIGHT - BY TYCO ELECTRONICS CORPORATION. ALL RIGHTS RESERVED.

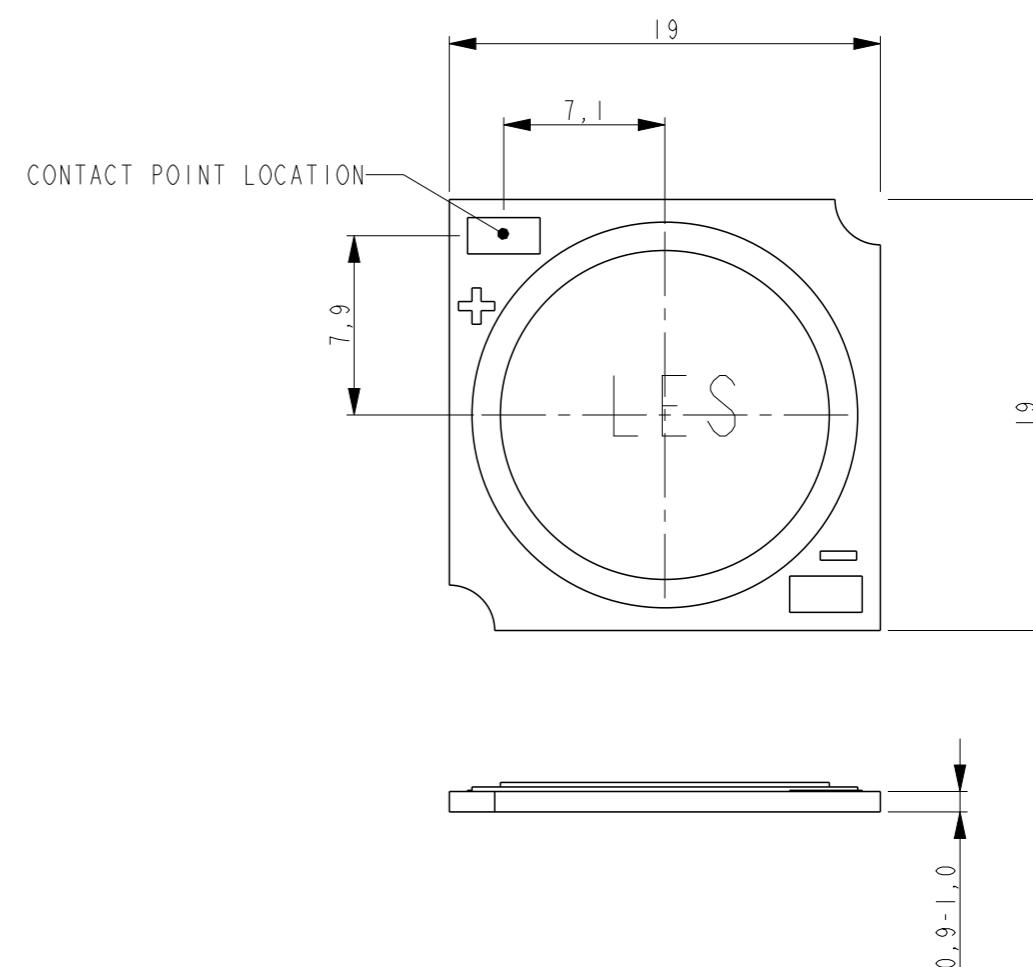
LOC	DIST	REVISIONS					
		P	LTR	DESCRIPTION	DATE	DWN	APVD
			-	SEE SHEET 1	-	-	-

RELEASED LEDS

NAME	TYPE	DATA SHEET	REVISION	TE PART NUMBERS
CITIZEN	CLL 030			2213254-1/-2
CITIZEN	CITIZEN CLL 030			2213254-1/-2
CITIZEN	CLL036-1205C1			2213254-1/-2
CITIZEN	CLL036-1206C1			2213254-1/-2
CITIZEN	CLL036-1208C1, REF.CE-P3080 04/15			2213254-1/-2
CITIZEN	CLU034			2213254-1/-2
CITIZEN	CLU036			2213254-1/-2
CITIZEN	CLU720			2213254-1/-2
CITIZEN	CLL032		CLL032-1212A5-403MIA2	2213254-1/-2
LEXTAR	LEXTAR NIMBUS 1500		E14.07.010	2213254-1/-2
SEOUL	SEOUL SBW2F1B			2213254-1/-2
SEOUL	SEOUL SBW3F1A			2213254-1/-2
SEOUL	SDW02F1C (ZC12)			2213254-1/-2
SEOUL	SDWX3F1C			2213254-1/-2
OSRAM	OSRAM S13 2 ND GEN.			2213254-1/-2
TRIDONIC	SLE-G5-LES15			2213254-1/-2
SEOUL SEMI	SDW02F1C (ZC12)		REV6.0, DEC 2, 2015	2213254-1/-2
PANASONIC	C14 1919		20150730	2213254-1/-2
BRIDGELUX	H15		DS83 REV. A (2/2016)	2213254-1/-2
BRIDGELUX	VI3D GEN 7 ARRAY		DS101 REV. C (07/2016)	2213254-1/-2
TRIDONIC	SLE-G6-LES15		JUNE 22ND 2016	2213254-1/-2
TRIDONIC	SLE-G6-LES17		JUNE 22ND 2016	2213254-1/-2
TRIDONIC	G6 LES 15 SNC/ADV		42614	2213254-1/-2
TRIDONIC	G6 LES 17 SNC/ADV/EXC		42614	2213254-1/-2
EDISON OPTO	2PHM30XWXXPI3001		29-JUL 2014, VERSION 3	2213254-1/-2
EVERLIGHT	EAHP1919/XUANI919			2213254-1/-2
LUMINUS	CHM-9-XH00		NOT FOUND	2213254-1/-2
LUMINUS	CXM-11-AC00		PDS-002279 REV 05	2213254-1/-2
LUMINUS	CHM-11-XH00		PDS-002624 REV 03	2213254-1/-2
LUMINUS	CLM-14 GEN 3		PDS-002819 REV 02	2213254-1/-2
LUMINUS	CXM-14 GEN 3		PDS-002820 REV 02	2213254-1/-2

THE SKETCH BELOW IS SHOWING THE NOMINAL LED COB DIMENSIONS TO MATCH WITH THE Z50 LED HOLDER 1919

FOR TECHNICAL DETAILS ABOUT A PROPER MATCH WITH A SPECIFIC LED COB ARRAY PLEASE CONTACT A REPRESENTATIVE AT TE-CONNECTIVITY



THIS DRAWING IS A CONTROLLED DOCUMENT.		DWN M.V.ESSEN 6-AUG-13		
DIMENSIONS: mm		CHK M.V.ESSEN 6-AUG-13		
TOLERANCES UNLESS OTHERWISE SPECIFIED:		APVD O.I.FIJNSE 6-AUG-13	NAME LUMAWISE LED HOLDER Z50 1919	
0 PLC ±-		PRODUCT SPEC 108-133008	RESTRICTED TO	
1 PLC ±-		APPLICATION SPEC 114-32048	SIZE A3	CAGE CODE 00779
2 PLC ±-		WEIGHT -	DRAWING NO C-2213254	REV B
3 PLC ±-		CUSTOMER DRAWING	SCALE 2:1	SHEET 3 OF 3
4 PLC ±-				
ANGLES ±-				
FINISH -				
MATERIAL -				