

1

2

3

4

A

B

C

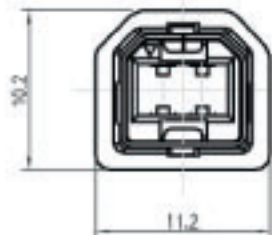
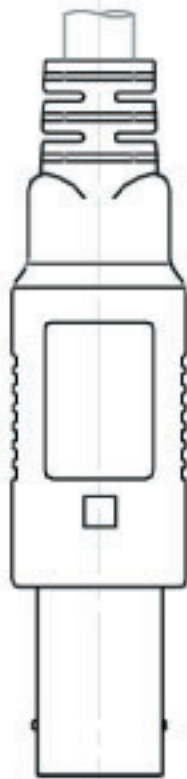
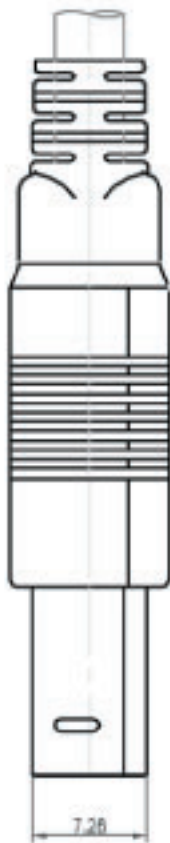
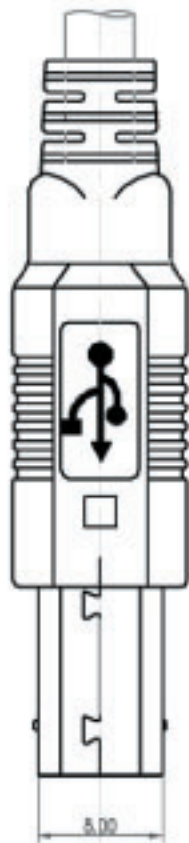
D

A

B

C

D



REV.	DESCRIPTION	DRAWN/DATE	CHECK/DATE	APPROVED/DATE
A	NEW RELEASE NPR-98007	WELLEN 08/23/98	Max 08/03/98	JOHN CHEN 08/04/98
B	REV. PER ECR-09053 Δ 1	Starly 02/23/99	Max 02/26/99	JOHN CHEN 03/01/99
C	REV. PER ECR-09292 Δ X4	Starly 09/19/99	Max 09/29/99	JOHN CHEN 10/04/99
D	REV. PER ECR-00101 Δ X1	KELLY 02/24/00	Max 02/25/00	JOHN CHEN 02/25/00
E	REV. PER SZEGR-00172 Δ X4	WU 11/07/00	TOM 11/16/00	ROGER 11/17/00
F	REV. PER SZEGR-01800 Δ X2	JAO 08/23/01	TOM 08/29/01	MAX 08/29/01

NOTES :

- 1.0. RATING :
 - 1.1. VOLTAGE : 30 VAC (R.M.S.)
 - 1.2. CURRENT : 1.0 AMPERE MAXIMUM PER CONTACT AT 30°C T-RISE
 - 1.3. TEMPERATURE : -55°C TO +85°C UNLESS LIMITED BY CABLE OR OVERMOLD (-40°C TO +60°C STORAGE ;+0°C TO +40°C OPERATING)
- 2.0. ELECTRIC CHARACTERISTIC :
 - 2.1. CONTACT RESISTANCE : 30 MILLIOHMS MAXIMUM INITIAL
 - 2.2. INSULATION RESISTANCE : 1,000 MEGOHMS MINIMUM
 - 2.3. DIELECTRIC WITHSTANDING VOLTAGE : 500 VAC AT SEA LEVEL
- 3.0. MATERIALS : ABS RESIN, UL 94V-0 RATED
- 4.0. OTHERS :
 - 4.1. ALL PART MUST BE PURCHASED SEPARATELY (REFER TO TABLE B)
 - 4.2. PRODUCT NUMBERING CODE: REFER TO TABLE A

GENERAL TOLERANCE	ANGLE TOLERANCE	DRAWN	DATE	ASSMANN Electronics, Inc.
X ±0.38 J ±0.25 JK ±0.13 JKK ±0.05	K ±3.0° K' ±2.0° KK ±1.0°	WELLEN	07/31/98	
FINISH SEE NOTES		DESIGN	DATE	TITLE A-USBPB-HOOD USB B TYPE HOOD
WTL SEE NOTES		MAX YANG	04/10/98	
SCALE 3 : 1	UNIT mm	CHECKED	DATE	SERIES USB B TYPE SERIES DRAWING NO. CI-USBC12-00-00
SHEET 1 OF 2		MAX YANG	08/03/98	
		APPROVED	DATE	SIZE A3
		JOHN CHEN	08/04/98	REV. F

1

2

3

4

1

2

3

4

A

A

B

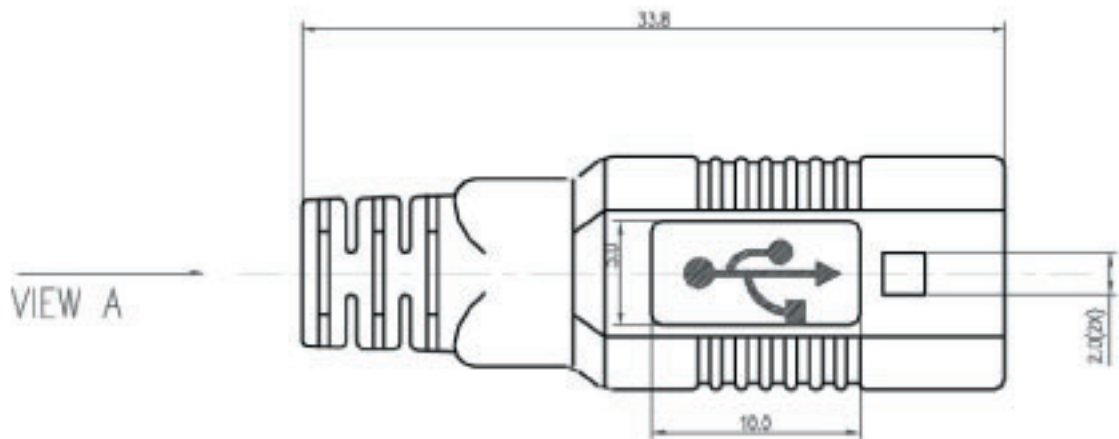
B

C

C

D

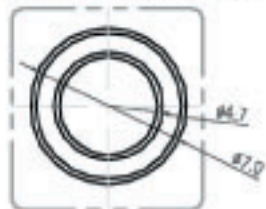
D



CABLE EXIT: TYPE I
(RECOMMENDED CABLE OD=#3.4~#3.8)



CABLE EXIT: TYPE II
(RECOMMENDED CABLE OD=#3.9~#4.6)



CABLE EXIT: TYPE III
(RECOMMENDED CABLE OD=#4.7~#5.3)



CABLE EXIT: TYPE IV
(RECOMMENDED CABLE OD=#4.5~#4.9)



VIEW A

GENERAL TOLERANCE	ANGLE TOLERANCE	DRAWN	DATE
X ±0.28	X ±30°	WELLEN	07/31/98
J ±0.25	F ±42.0°	DESIGN	DATE
JX ±0.13	XF ±1.0°	MAX YANG	04/10/98
JK ±0.08		CHECKED	DATE
		MAX YANG	08/03/98
W/L SEE NOTES	UNIT DIM	APPROVED	DATE
FINISH SEE NOTES		JOHN CHEN	08/04/98
SCALE 3 : 1			
SHEET 2 OF 2			

ASSMANN Electronics, Inc.	
TITLE A-USBPB-HOOD	
USB B TYPE HOOD	
SERIES USB B TYPE SERIES	SIZE A3
DRAWING NO. CI-UBC12-00-00	REV. 7

1

2

3

4