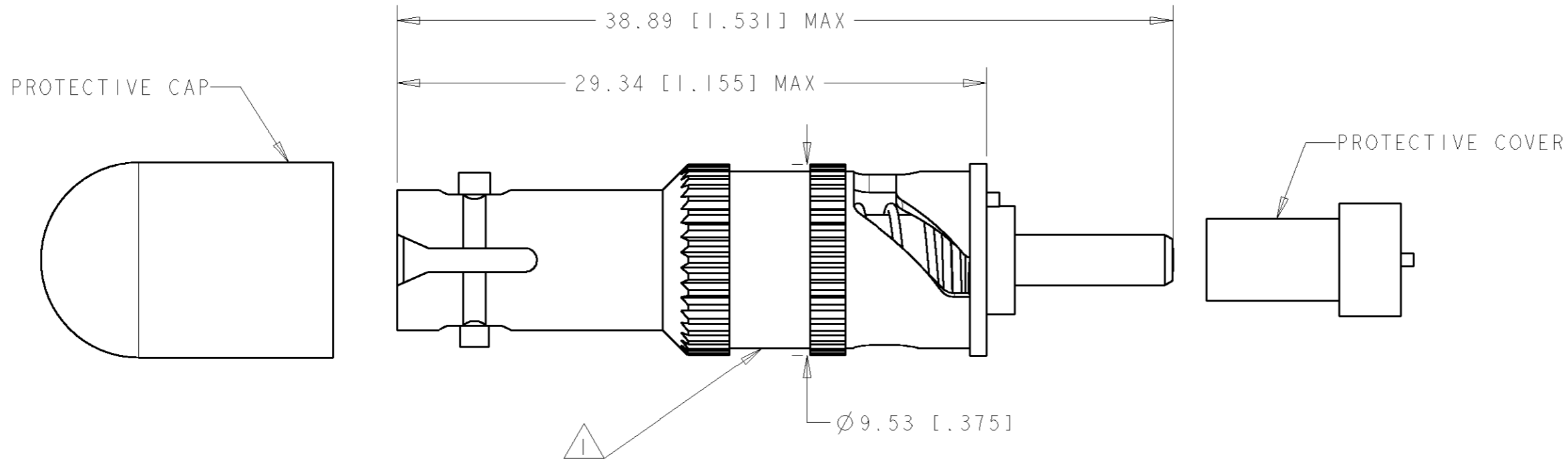


THIS DRAWING IS UNPUBLISHED. RELEASED FOR PUBLICATION 20
 © COPYRIGHT 20 BY TYCO ELECTRONICS CORPORATION. ALL RIGHTS RESERVED.

LOC	DIST	REVISIONS			
P	LTR	DESCRIPTION	DATE	DWN	APVD
CE	00	B	ECR-06-029231	23MAR2007	EJH SB



PERFORMANCE REQUIREMENTS:
 OPERATING WAVELENGTH : 1310/1550 ±25nm
 OPERATING TEMPERATURE : -40°C TO +75°C
 REFLECTANCE : ≤ -55dB
 ATTENUATION TOLERANCE, AMBIENT:
 FOR ATTENUATORS ≥ 5dB: ± 15% OF NOMINAL ATTENUATION VALUE
 FOR ATTENUATORS < 5dB: ±0.75dB
 MEASURED WITH REFERENCE QUALITY LAUNCH LEADS

20	2-5417549-0
15	1-5417549-5
12	1-5417549-2
10	1-5417549-0
6	5417549-6
5	5417549-5
4	5417549-4
3	5417549-3
2	5417549-2
1	5417549-1
NOMINAL ATTENUATION VALUE (dB)	PART NUMBER

⚠ TYCO LOGO, ATTENUATION VALUE, PART NUMBER, AND SERIAL NUMBER ARE PRINTED ON THE LABEL.

<small>THIS DRAWING IS A CONTROLLED DOCUMENT FOR TYCO ELECTRONICS CORPORATION. IT IS SUBJECT TO CHANGE AND THE CONTROLLING ENGINEERING ORGANIZATION SHOULD BE CONTACTED FOR THE LATEST REVISION.</small>		DWN E. HOPKINS 10JAN2005 CHR E. HOPKINS 10JAN2005 APVD S. BUCHTER 10JAN2005		tyco Electronics Tyco Electronics Harrisburg, PA 17105-3608	
DIMENSIONS: mm (inches)		TOLERANCES UNLESS OTHERWISE SPECIFIED: 0 PLC ±- 1 PLC ±1.0 2 PLC ±.38 3 PLC ±- 4 PLC ±- ANGLES ±2		NAME ATTENUATOR, FOPC BOA ST/UPC DW SM	
MATERIAL -		FINISH -		SIZE A3 CAGE CODE 00779 DRAWING NO C-5417549 RESTRICTED TO -	
CUSTOMER DRAWING				SCALE 4:1 SHEET 1 OF 1 REV B	