

Customer Information Sheet

DRAWING No.: S7261-45R

IF IN DOUBT - ASK

©

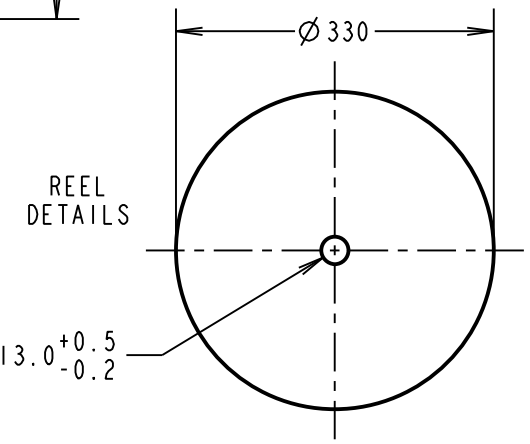
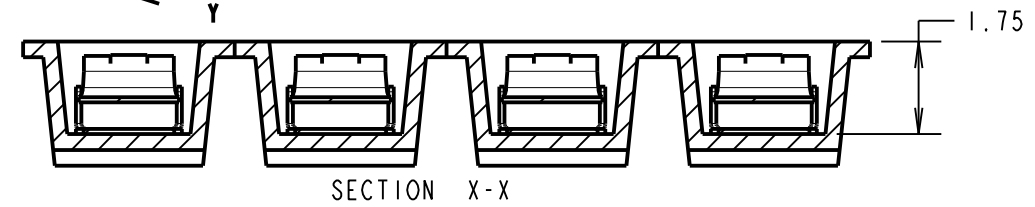
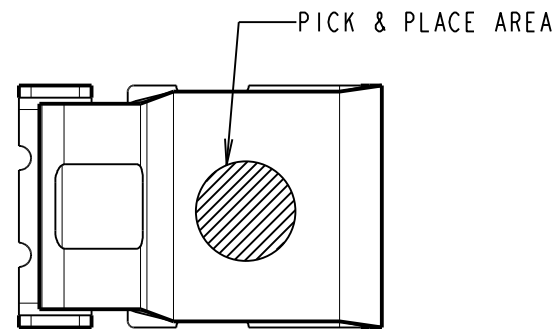
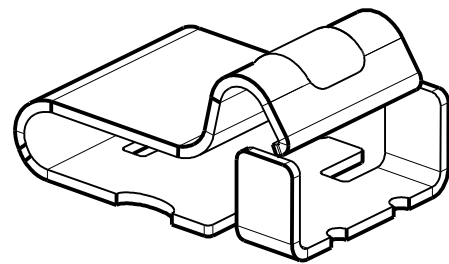
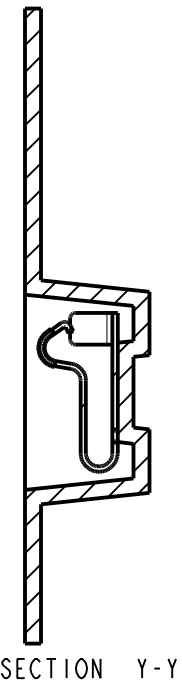
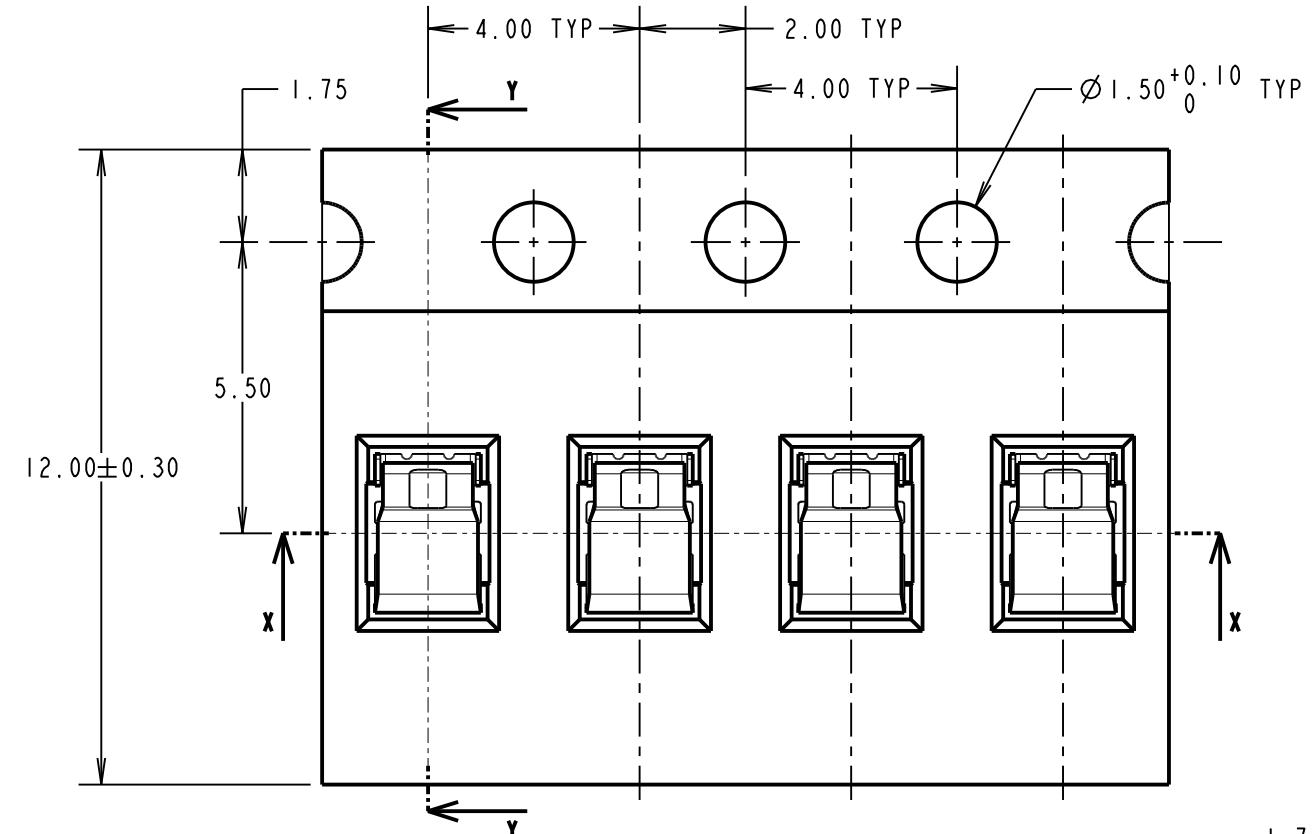
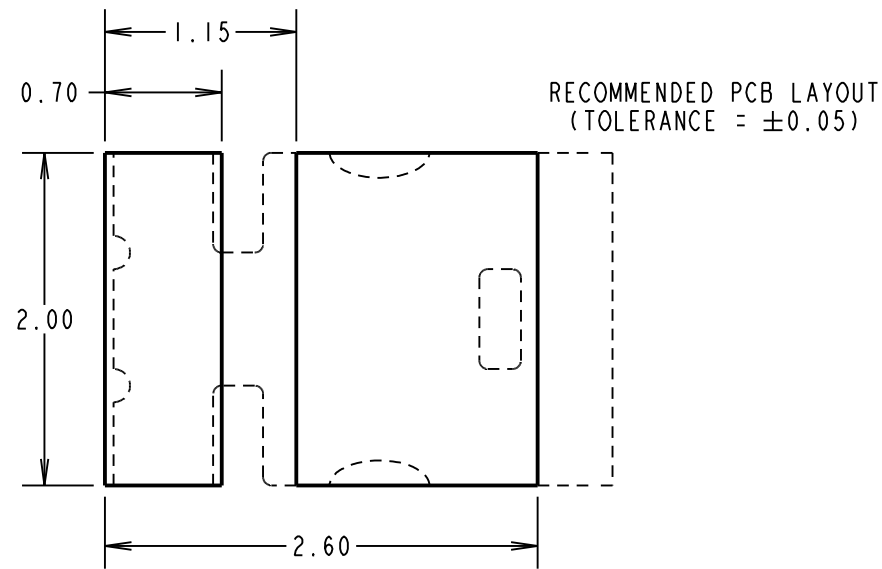
NOT TO SCALE

THIRD ANGLE PROJECTION

ALL DIMENSIONS IN mm

NOTES:

1. QUANTITY PER REEL = 8,000.
2. THIS PRODUCT IS TAPED AND REELED IN GENERAL ACCORDANCE WITH EIA-481-2 (ELECTRONICS INDUSTRIES ASSOCIATION).



SPECIFICATION:

MATERIAL = TITANIUM COPPER ALLOY, 0.08mm THICK
 FINISH = 1.5µ-3.5µ NICKEL ALL OVER, 0.1µ GOLD ON TOP CONTACT AREA AND GOLD FLASH ON BASE

ELECTRICAL:

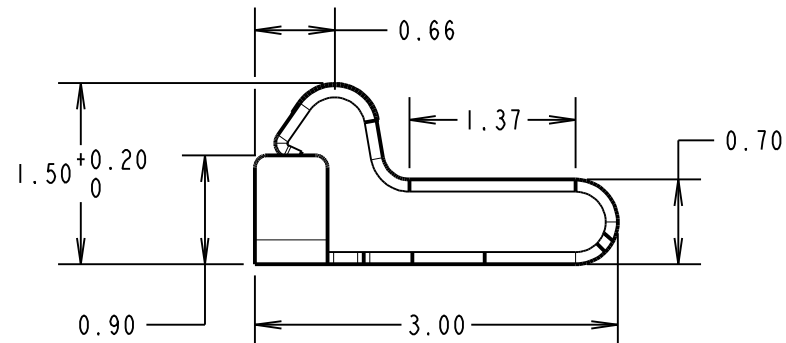
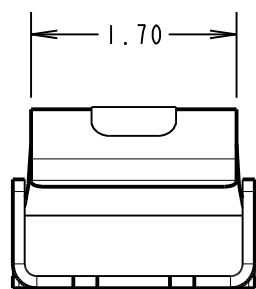
CONTACT RESISTANCE = 50mΩ MAX
 CURRENT RATING = 1A
 VOLTAGE RATING = 250V AC

MECHANICAL:

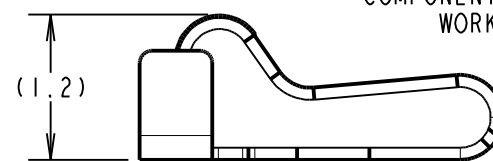
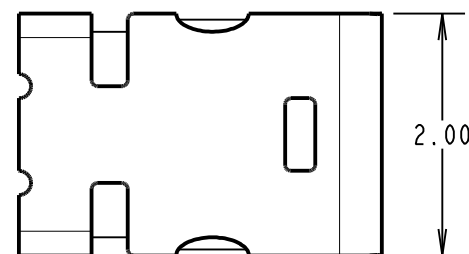
DURABILITY = 10,000 CYCLES
 RECOMMENDED WORKING HEIGHT = 1.20mm / MIN FORCE = 0.78N
 RECOMMENDED MINIMUM WORKING HEIGHT = 0.90mm

ENVIRONMENTAL:

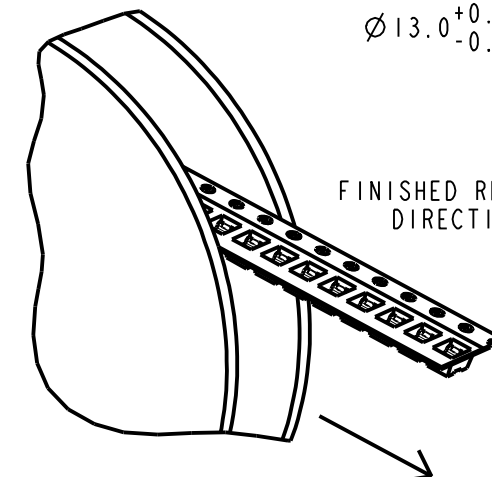
OPERATING TEMPERATURE = -40°C TO +85°C



COMPONENT DETAILS



COMPONENT AT RECOMMENDED WORKING HEIGHT



FINISHED REELING DIRECTION

MSP	2	30.11.15	13179
NAME	ISS.	DATE	C/NOTE
APPROVED:		M. PERREN	
CHECKED:		S. BENNETT	
DRAWN:		S. BENNETT	
CUSTOMER REF.:			
ASSEMBLY DRG:			

HARWIN

www.harwin.com
 technical@harwin.com

THIS DRAWING AND ANY INFORMATION OR DESCRIPTIVE MATTER SET OUT HEREON ARE CONFIDENTIAL AND COPYRIGHT PROPERTY OF THE HARWIN GROUP AND MUST NOT BE DISCLOSED, LOANED, COPIED OR USED FOR MANUFACTURING, TENDERING OR FOR ANY OTHER PURPOSE WITHOUT THEIR WRITTEN PERMISSION.

TOLERANCES

X. = ±1mm
 X.X = ±0.50mm
 X.XX = ±0.10mm
 X.XXX = ±0.01mm
 ANGLES = ±5°
 UNLESS STATED

MATERIAL:

SEE ABOVE

FINISH:

SEE ABOVE

S/AREA:

mm²

TITLE: SMT SPRING CONTACT (1.50mm HIGH) IN TAPE AND REEL

DRAWING NUMBER: S7261-45R