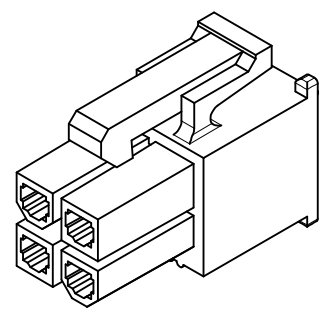
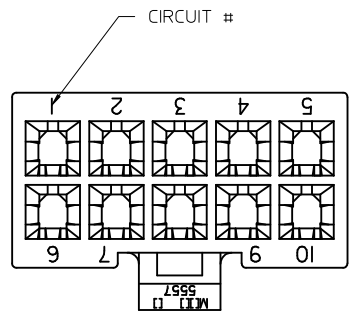
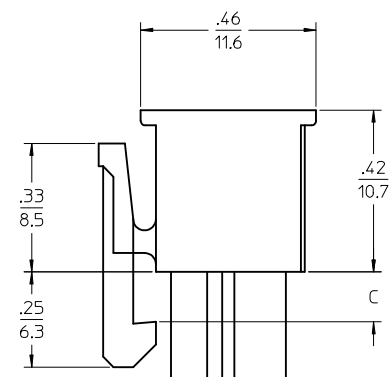
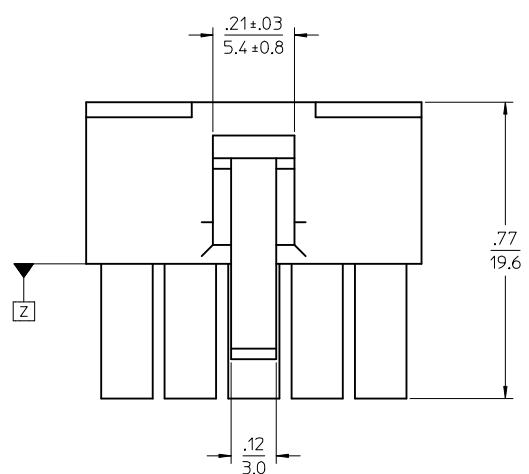


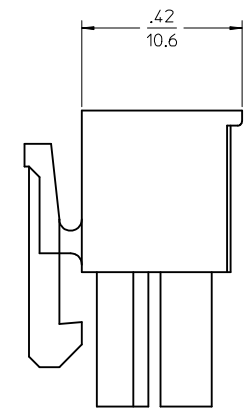
- NOTES:
- MATERIAL:
 - "BLANK" = NYLON 6/6, UNFILLED UL94V-2, COLOR: NATURAL.
 - "BL" = NYLON 6/6, UNFILLED UL94V-2, COLOR: BLACK.
 - "RE" = NYLON 6/6, UNFILLED UL94V-2, COLOR: RED.
 - "YE" = NYLON 6/6, UNFILLED UL94V-2, COLOR: YELLOW
 - "GRE" = NYLON 6/6, UNFILLED UL94V-2, COLOR: GREEN.
 - "210" = NYLON 6/6, UNFILLED UL94V-0, COLOR: NATURAL.
 - "225" = NYLON 6, UNFILLED UL94V-0, COLOR: BLACK, IEC 60335-1, 4th EDITION GLOW WIRE CAPABLE.
 - "400" = NYLON 6/6, UNFILLED UL94V-0, COLOR: BLACK.
 - FINISH: NOT APPLICABLE
 - PRODUCT SPECIFICATION: PS-5556-001
 - PACKAGING: BULK
 - PART MATES WITH MOLEX PLUG #5559 AND HEADERS #5566, #5569.
 - PART TO BE USED WITH MOLEX FEMALE TERMINAL #5556.
 - PART IS NOT DESIGNED FOR CURRENT SHARING.
 - CONNECTORS ARE NOT TO BE MATED OR UNMATED WHILE CIRCUITS ARE LIVE.
 - WIRES ARE TO BE DRESSED IN SUCH A MANNER TO ALLOW THE TERMINALS TO FLOAT FREELY IN THE POCKET.
 - PART CONFORMS TO CLASS "B" REQUIREMENTS OF COSMETIC SPECIFICATION PS-45499-002 WITH THE EXCEPTION OF DISCOLORATION, FLASH AND SINK MEET CLASS "C" REQUIREMENTS.
- \triangle TO BE MEASURED AT SURFACE \square



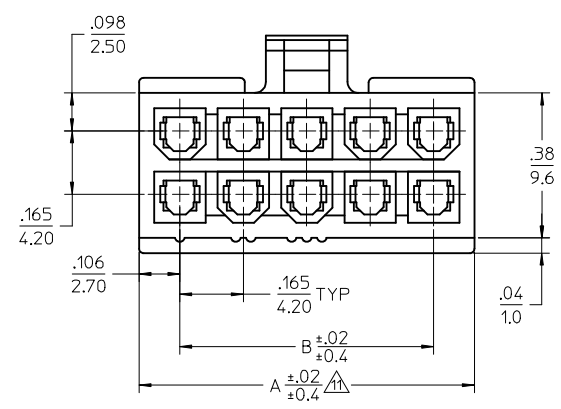
4 CKT SHOWN



4-24 CKT

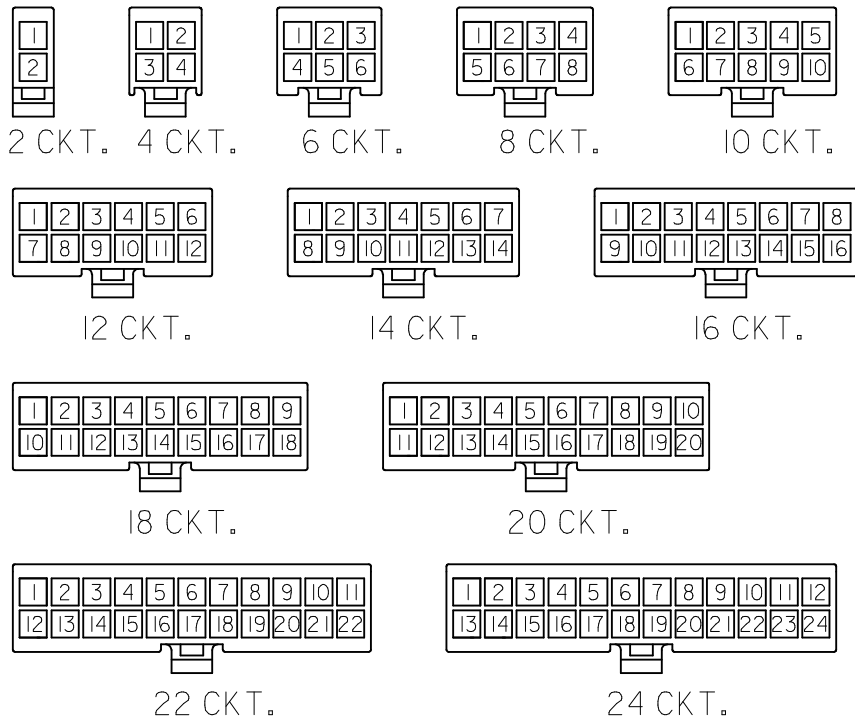


2 CKT ONLY



2.031/(51.60)	1.819/(46.20)		24
1.866/(47.40)	1.654/(42.00)		22
1.701/(43.20)	1.488/(37.80)	.142/	20
1.535/(39.00)	1.323/(33.60)	(3.60)	18
1.370/(34.80)	1.157/(29.40)		16
1.205/(30.60)	0.992/(25.20)		14
1.039/(26.40)	0.827/(21.00)		12
0.874/(22.20)	0.661/(16.80)		10
0.709/(18.00)	0.496/(12.60)	.129/	8
0.543/(13.80)	0.331/(8.40)	(3.30)	6
0.378/(9.60)	0.165/(4.20)		4
0.213/(5.40)			2
A	B	C	NO. OF CKTS.

UPDATE NOTE 1 IEC NO: UCP2012-3041 2012/06/28 DRWINHNGUYEN 2012/06/28 CHKD:JBELL 2012/07/03 APPR:FSMITH	QUALITY SYMBOLS $\nabla=0$ $\nabla=0$ $\nabla=0$	GENERAL TOLERANCES (UNLESS SPECIFIED)		DIMENSION STYLE IN/MM		SCALE 4:1	DESIGN UNITS METRIC	THIRD ANGLE PROJECTION		
		4 PLACES	± --	± ---	DRAWN BY	DATE	NEW MINI FIT CONN REC. HOUSING			
		3 PLACES	± --	± .010	S.MOCHIZUKI	'90/02/22				
		2 PLACES	± 0.25	± .015	CHECKED BY	DATE	MOLEX INCORPORATED			
1 PLACE	± 0.38	± ---	M.FUKUSHIMA	'97/01/08						
DRAFT WHERE APPLICABLE MUST REMAIN WITHIN DIMENSIONS		ANGULAR ± 3 °		APPROVED BY FSMITH		DATE	MATERIAL NO. SEE CHART		DOCUMENT NO. SD-5557-003	
REV: J11		SIZE: C		THIS DRAWING CONTAINS INFORMATION THAT IS PROPRIETARY TO MOLEX INCORPORATED AND SHOULD NOT BE USED WITHOUT WRITTEN PERMISSION						



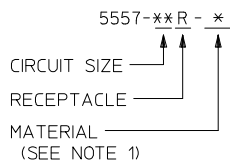
CIRCUIT SIZE LAYOUT
(NOT TO SCALE)

V-0 GLOW WIRE (BLACK)		
50-36-1667	5557-24R-225	24
26-01-3167	5557-22R-225	22
* 26-01-3166	5557-20R-225	20
50-36-1668	5557-18R-225	18
50-36-1669	5557-16R-225	16
50-36-2293	5557-14R-225	14
50-36-1674	5557-12R-225	12
50-36-1671	5557-10R-225	10
50-36-1713	5557-08R-225	8
50-36-1672	5557-06R-225	6
50-30-4461	5557-04R-225	4
50-36-1673	5557-02R-225	2
EDP. NO.	ENG. NO.	NO. OF CKTS.

V-0 (BLACK)			V-0 (NATURAL)		
39-03-9242	5557-24R-400	24	39-01-2245	5557-24R-210	24
39-03-9222	5557-22R-400	22	39-01-2225	5557-22R-210	22
39-03-9202	5557-20R-400	20	39-01-2205	5557-20R-210	20
39-03-9182	5557-18R-400	18	39-01-2185	5557-18R-210	18
39-03-9162	5557-16R-400	16	39-01-2165	5557-16R-210	16
39-03-9142	5557-14R-400	14	39-01-2145	5557-14R-210	14
39-03-9122	5557-12R-400	12	39-01-2125	5557-12R-210	12
39-03-9102	5557-10R-400	10	39-01-2105	5557-10R-210	10
39-03-9082	5557-08R-400	8	39-01-2085	5557-08R-210	8
39-03-9062	5557-06R-400	6	39-01-2065	5557-06R-210	6
39-03-9042	5557-04R-400	4	39-01-2045	5557-04R-210	4
39-03-9022	5557-02R-400	2	39-01-2025	5557-02R-210	2
EDP. NO.	ENG. NO.	NO. OF CKTS.	EDP. NO.	ENG. NO.	NO. OF CKTS.

* = CONSULT FACTORY FOR AVAILABILITY.

LEGEND



V-2 (GREEN)			V-2 (YELLOW)			V-2 (RED)			V-2 (BLACK)			V-2 (NATURAL)		
		24			24	-	-	24	* 39-01-3245	5557-24R-BL	24	39-01-2240	5557-24R	24
		22			22	-	-	22	39-01-3225	5557-22R-BL	22	39-01-2220	5557-22R	22
		20			20	-	-	20	* 39-01-3205	5557-20R-BL	20	39-01-2200	5557-20R	20
		18			18	-	-	18	* 39-01-3185	5557-18R-BL	18	39-01-2180	5557-18R	18
		16			16	-	-	16	* 39-01-3165	5557-16R-BL	16	39-01-2160	5557-16R	16
		14			14	-	-	14	39-01-3145	5557-14R-BL	14	39-01-2140	5557-14R	14
		12			12	-	-	12	39-01-3125	5557-12R-BL	12	39-01-2120	5557-12R	12
		10			10	-	-	10	39-01-3105	5557-10R-BL	10	39-01-2100	5557-10R	10
		8			8	-	-	8	39-01-3085	5557-08R-BL	8	39-01-2080	5557-08R	8
* 39-02-7069	5557-06R-GRE	6	* 39-02-8061	5557-06R-YE	6	-	-	6	39-01-3065	5557-06R-BL	6	39-01-2060	5557-06R	6
		4	* 39-02-8041	5557-04R-YE	4	* 39-02-8040	5557-04R-RE	4	39-01-3045	5557-04R-BL	4	39-01-2040	5557-04R	4
* 39-02-7029	5557-02R-GRE	2	* 39-02-8021	5557-02R-YE	2	-	-	2	39-01-3025	5557-02R-BL	2	39-01-2020	5557-02R	2
EDP. NO.	ENG. NO.	NO. OF CKTS.	EDP. NO.	ENG. NO.	NO. OF CKTS.	EDP. NO.	ENG. NO.	NO. OF CKTS.	EDP. NO.	ENG. NO.	NO. OF CKTS.	EDP. NO.	ENG. NO.	NO. OF CKTS.

SEE SHEET 1
EC NO: UCP2012-3041
DRAWN: NGUYEN
CHKD: BELLE
APPR: FSMITH
2012/06/28
2012/06/28
2012/07/03

QUALITY SYMBOLS
▽=0
▽=0
▽=0

GENERAL TOLERANCES
(UNLESS SPECIFIED)

	mm	INCH
4 PLACES	± .01	± .0005
3 PLACES	± .01	± .010
2 PLACES	± 0.25	± .015
1 PLACE	± 0.38	± .015

ANGULAR ± 3°

DRAFT WHERE APPLICABLE
MUST REMAIN
WITHIN DIMENSIONS

DIMENSION STYLE
IN/MM

SCALE
METRIC

DESIGN UNITS
THIRD ANGLE PROJECTION

DRAWN BY S. MOCHIZUKI DATE '90/02/22
CHECKED BY M. FUKUSHIMA DATE '97/01/08
APPROVED BY FSMITH DATE 2011/02/21

MOLEX INCORPORATED

MATERIAL NO. SEE CHART DOCUMENT NO. SD-5557-003 SHEET NO. 2 OF 2

THIS DRAWING CONTAINS INFORMATION THAT IS PROPRIETARY TO MOLEX INCORPORATED AND SHOULD NOT BE USED WITHOUT WRITTEN PERMISSION