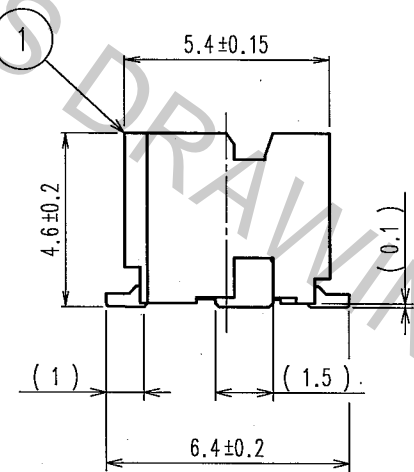
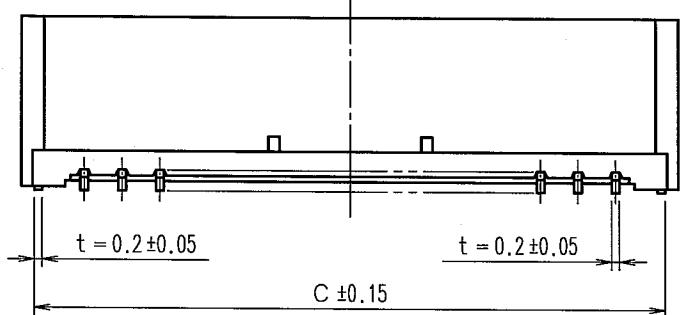
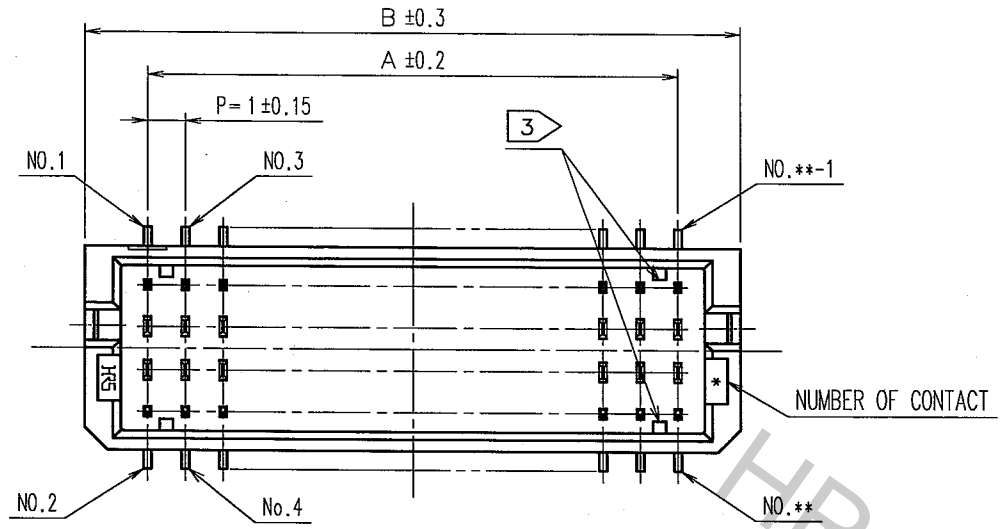
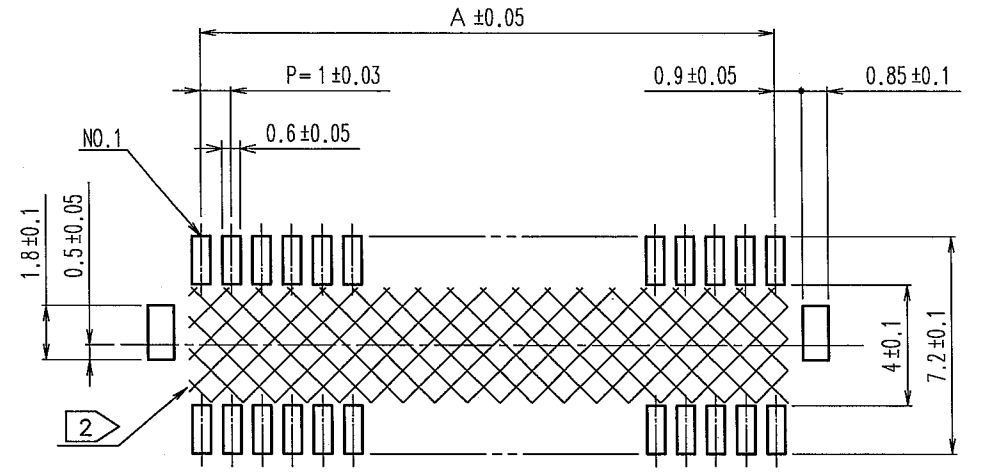


Apr.1.2017 Copyright 2017 HIROSE ELECTRIC CO., LTD. All Rights Reserved.

COUNT	DESCRIPTION OF REVISIONS	BY	CHKD	DATE	COUNT	DESCRIPTION OF REVISIONS	BY	CHKD	DATE

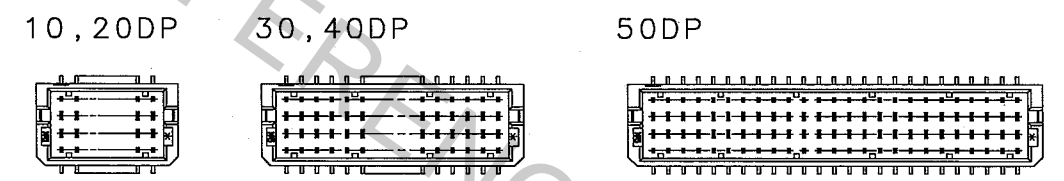


RECOMMENDED PATTERN(FREE)

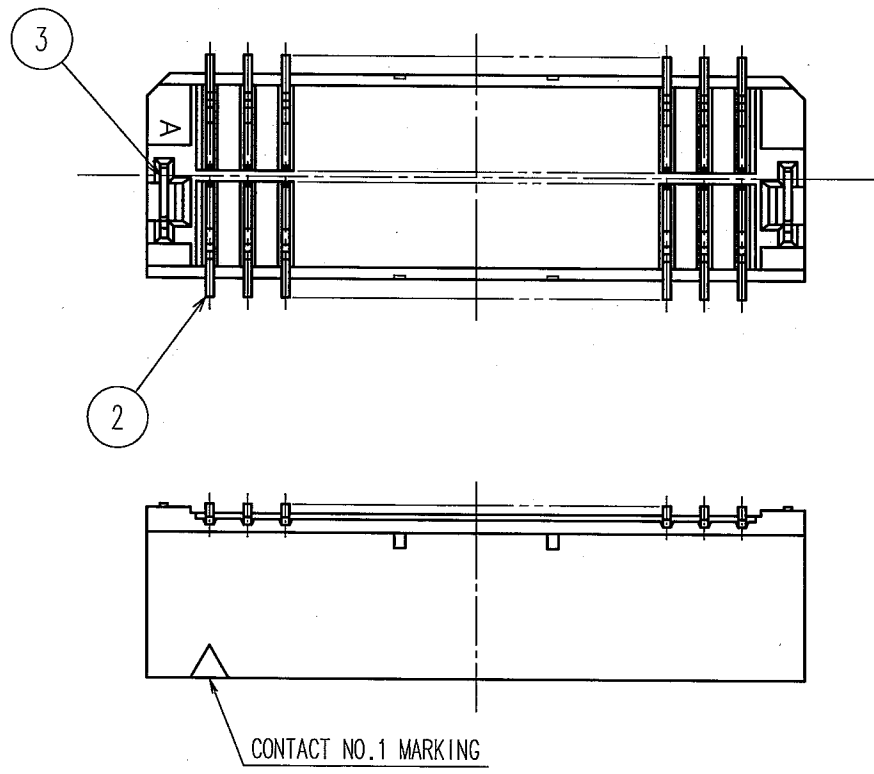
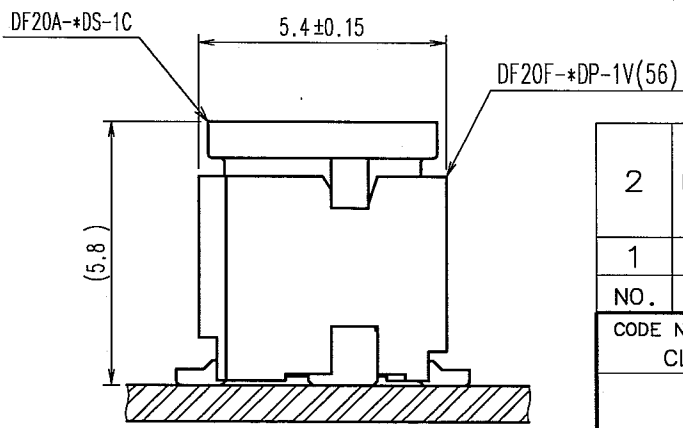


PART NO.	HRS NO.	NUMBER OF CONTACTS	A	B	C
DF20F-10DP-1V(56)	CL686-0032-2-56	10	4.0	7.3	6.6
DF20F-20DP-1V(56)	CL686-0033-5-56	20	9.0	12.3	11.6
DF20F-30DP-1V(56)	CL686-0034-8-56	30	14.0	17.3	16.6
DF20F-40DP-1V(56)	CL686-0035-0-56	40	19.0	22.3	21.6
DF20F-50DP-1V(56)	CL686-0036-3-56	50	24.0	27.3	26.6

NOTES: 1: LEAD CO-PLANARITY SHALL BE 0.1mm MAX INCLUDING METAL HOLD DOWN.  
 2: IF THERE IS PATTERN ON PART, THERE IS A POSSIBILITY THAT IT WILL MAKE CONTACT WITH THE LEADS.  
 3: THE NUMBER AND POSITION OF A RIB ARE AS FOLLOWS BY THE NUMBER OF CONTACTS.



APPLICATION DIAGRAM(FREE)

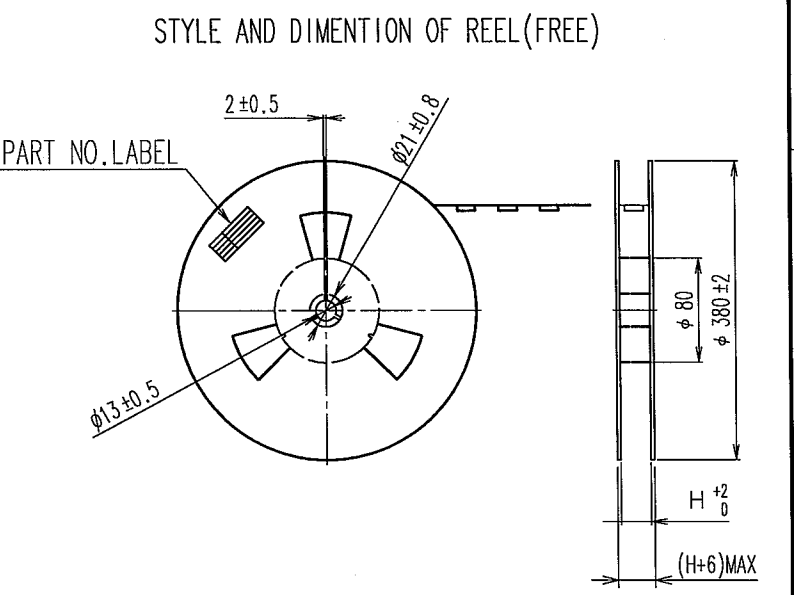
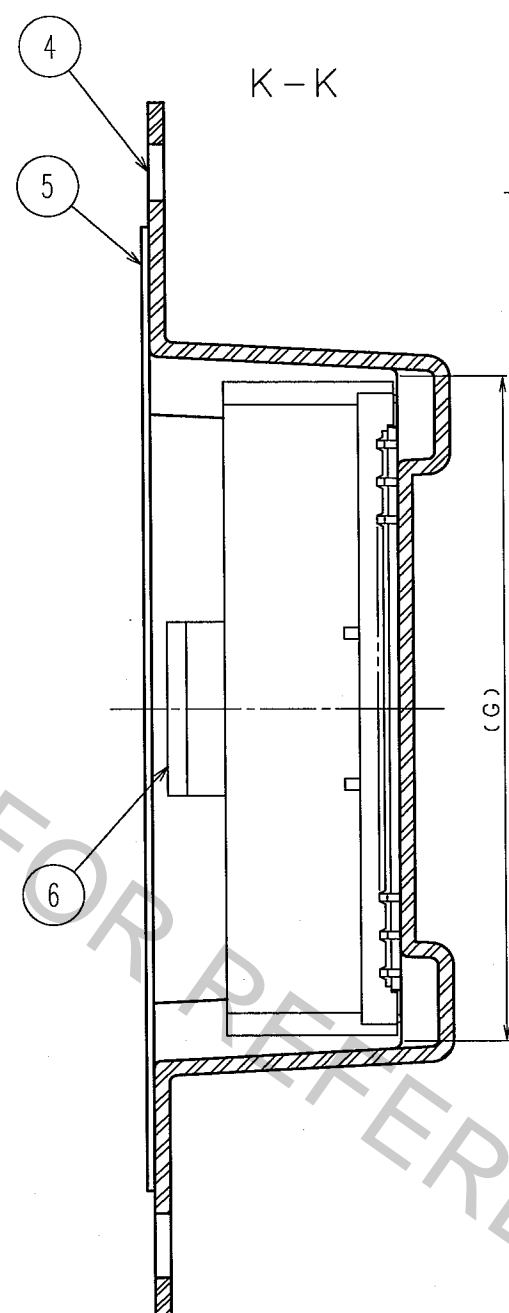
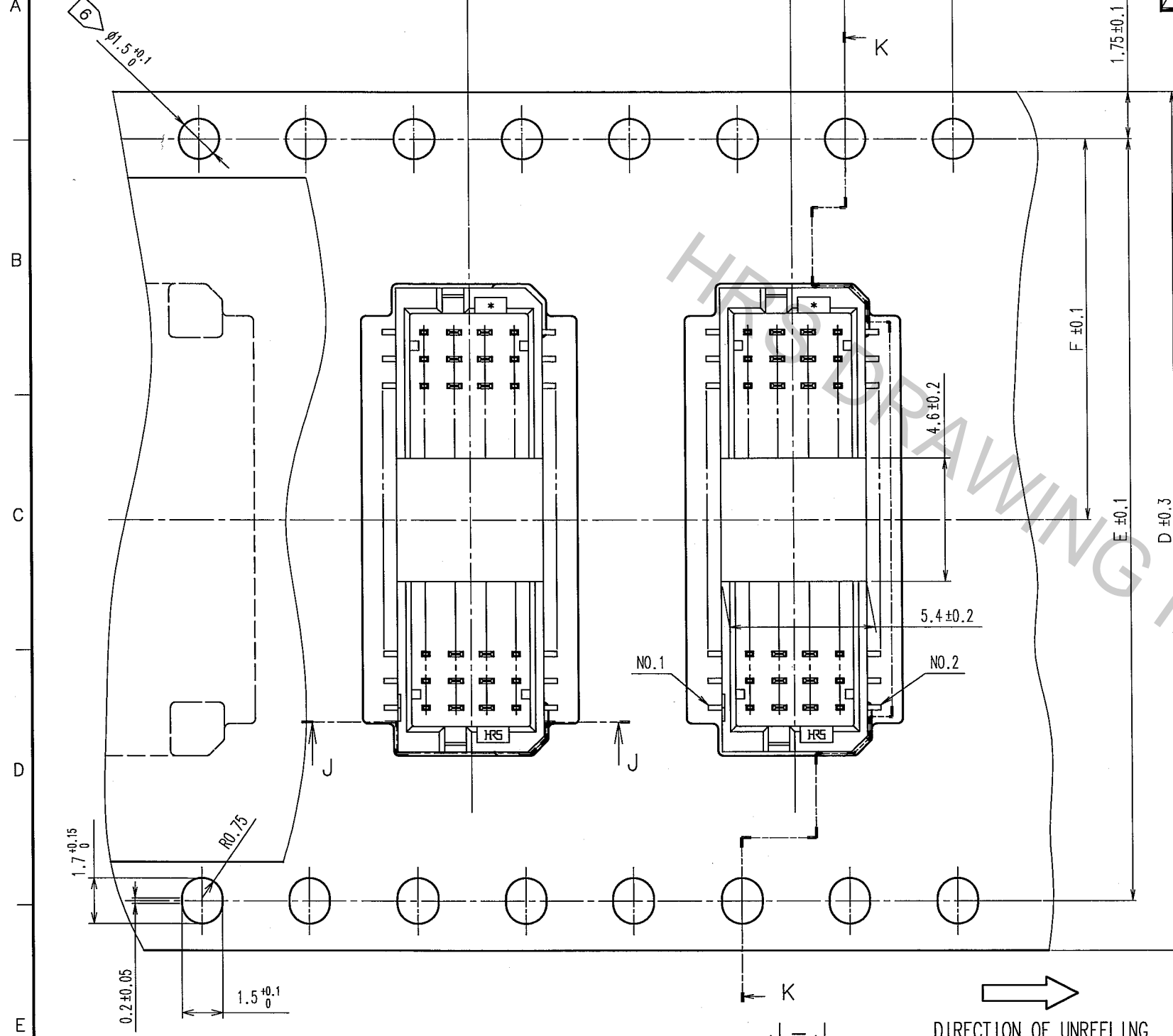


2	PHOSPHER BRONZE	Contact Area: Gold Plated 0.2μm min Lead Area: Gold Plated 0.015μm min Under Plating: Nickel Plated 2μm min	6	POLYAMIDE	NATURAL (BEIGE), UL94V-0
1	POLYAMIDE	NATURAL (BEIGE), UL94V-0	5	POLYESTER	CLEAR (COVER TAPE)
			4	PS	CLEAR (EMBOSSED CARRIER TAPE)
			3	BRASS	Surface: Tin-Copper Plated 1μm min. Under Plating: Nickel Plated 1μm min.
NO.	MATERIAL	FINISH, REMARKS	NO.	MATERIAL	FINISH, REMARKS
CODE NO. (OLD) CL		DRAWN A.MIYAZAKI '06.06.01	DESIGNED A.MIYAZAKI '06.06.01	CHECKED <i>H. Umehara</i> 06.06.06	APPROVED <i>T. Oma</i> 06.06.13
DRAWING NO. EDC3-164529-04		PART NO. DF20F-*DP-1V(56)		CODE NO. CL686-	
SCALE 5 : 1		UNITS mm		1/2	

TO

Apr.1.2017 Copyright 2017 HIROSE ELECTRIC CO., LTD. All Rights Reserved.

COUNT	DESCRIPTION OF REVISIONS	BY	CHKD	DATE	COUNT	DESCRIPTION OF REVISIONS	BY	CHKD	DATE



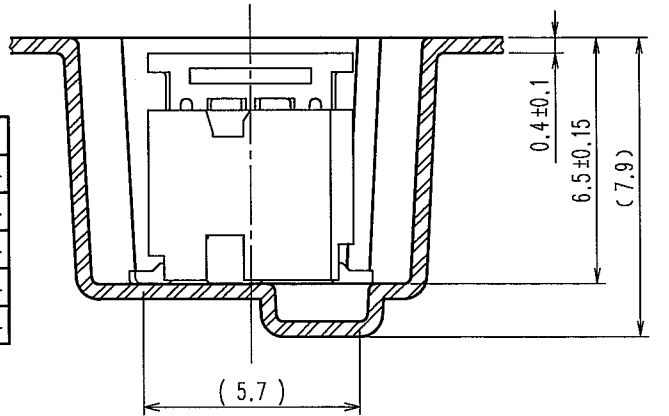
DETAIL OF PART NO. LABEL

- SUPPLIER
- QUANTITY
- PART NO.
- CODE NO.
- DATE OF MANUFACTURED

生産月日	年 月 日
図番	CL686-****-**-56
品名	DF20F-*DP-1V(56)
納入数量	1000K $\phi$
納入者	ヒロセ電機(株)

NOTES4: PER REEL : 1000 CONECTORS  
 5: AT THE BIGINING OF THE REEL, 30 COMPONENTS SHALL BE EMPTY.  
 AT THE END OF REEL, 20 COMPONENTS SHALL BE EMPTY.  
 6: WHEN THE TAPE WIDTH IS 16 OR 24mm, SPROCKET HOLES SHALL BE SET ON THE UPPER SIDE OF REEL AS SHOWN ON THIS DRAWING.

PART NO.	NUMBER OF CONTACTS	D	E	F	G	H
CL686-0032-2-56	10	16	-	7.5	7.6	16.4
CL686-0033-5-56	20	24	-	11.5	12.6	24.4
CL686-0034-8-56	30	32	28.4	14.2	17.6	32.4
CL686-0035-0-56	40	44	40.4	20.2	22.6	44.4
CL686-0036-3-56	50	44	40.4	20.2	27.6	44.4



TO

CODE NO. (OLD) CL	DRAWN A.MIYAZAKI	DESIGNED A.MIYAZAKI	CHECKED H. Uehara	APPROVED T. Ono	RELEASED
	'06.06.01	'06.06.01	06.06.06	06.06.13	
SCALE FREE	DRAWING NO. EDC3-164529-04		PART NO. DF20F-*DP-1V(56)		
UNITS mm	HRS HIROSE ELECTRIC CO., LTD		CODE NO. CL686-		2