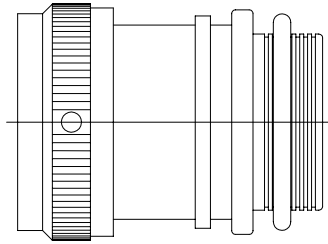


REVISIONS			
LTR	DESCRIPTION	DATE	APPROVED
E	REVISED PER ECN AD93093		



CODE 51 TINEL-LOCK ADAPTER

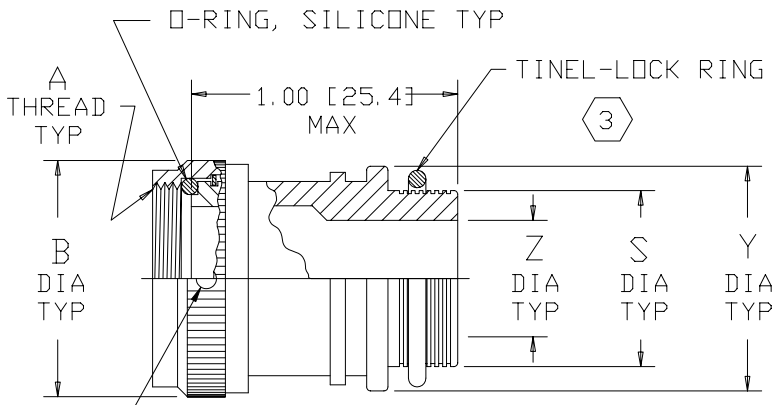
NOTES:

- THIS PRODUCT IS DESIGNED TO TERMINATE A BRAIDED CABLE SHIELD AND A HEAT SHRINKABLE LIPPED BOOT TO A CONNECTOR.
- SEE CH00-0250-008 FOR ORDERING INFORMATION, MODIFICATIONS AND ADDITIONAL DIMENSIONS.
- SEE DRAWING "TR" FOR DETAILS ON TINEL-LOCK RING. RINGS ARE DESIGNED TO BE HEATED ELECTRICALLY. ALL RINGS ARE MARKED WITH THERMOCHROMIC PAINT WHICH CHANGES COLOR WHEN INSTALLATION TEMPERATURE IS REACHED.
- ADAPTER TO BE PERMANENTLY MARKED WITH CODE IDENT. NO. AND PART NO. LESS RING DESIGNATOR (E.G.: 06090-TXR51AB00-1406). RINGS SHALL BEAR NO MARKING.
- FOR LARGER ENTRY SIZES, A 2 PIECE ADAPTER (TYPE II) IS SUPPLIED.
- ADAPTER MATES TO MIL-C-26500, CLASS F, G & R, ALUMINUM SHELL, MS24264, MS24265, MS24266 AND MIL-C-38300 CONNECTORS.
- ANTI-ROTATIONAL SET SCREW, THREE THREADED HOLES $120^\circ \pm 5^\circ$ APART, SINGLE MATING SET SCREW SUPPLIED; AN565DC4H2, NOT REQUIRED FOR TYPE II ADAPTERS.

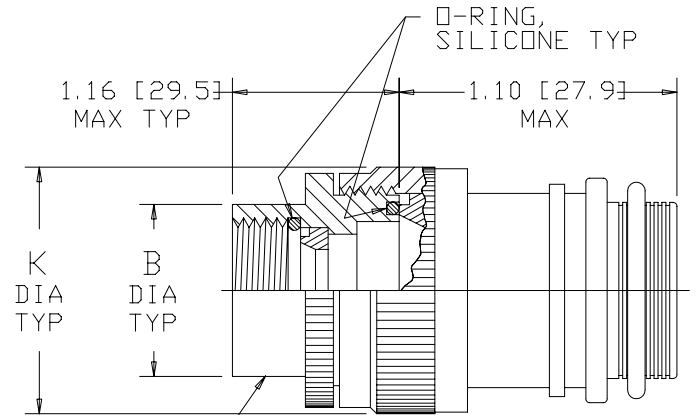
If this document is printed it becomes uncontrolled.
Check for the latest revision.

SPECIFICATION CONTROL DRAWING

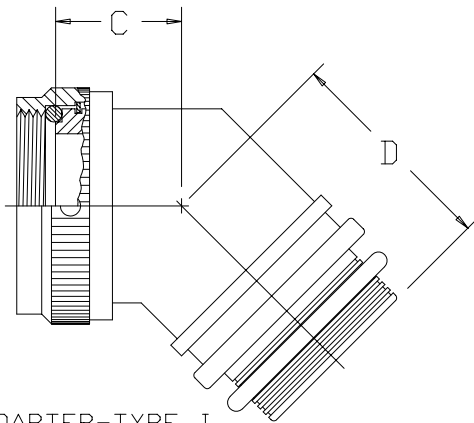
UNLESS OTHERWISE SPECIFIED DIMENSIONS ARE IN INCHES. METRIC DIMENSIONS ARE IN BRACKETS. DECIMALS .XXX ± — [mm] .XX ± — [mm] .X ± — [mm] ANGLES .X ± —	DRAWN J. BITTER	DATE 08-13-93		Tyco Electronics Corporation 300 Constitution Drive Menlo Park, CA. 94025 U.S.A.		
	CHECKED	DATE				
	APPROVED	DATE	TITLE			
	APPROVED	DATE	TINEL-LOCK™ ADAPTER			
CAD NAME \ACAD12\TXR51						
THIRD ANGLE PROJECTION 	SIZE A	CODE IDENT. NO. 06090	DWG. NO. TXR51	REV E	DO NOT SCALE THIS DWG	
				SHEET 1 OF 3		



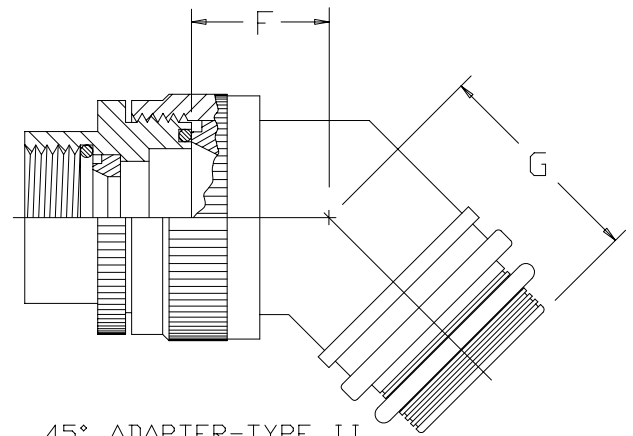
7 STRAIGHT ADAPTER-TYPE I



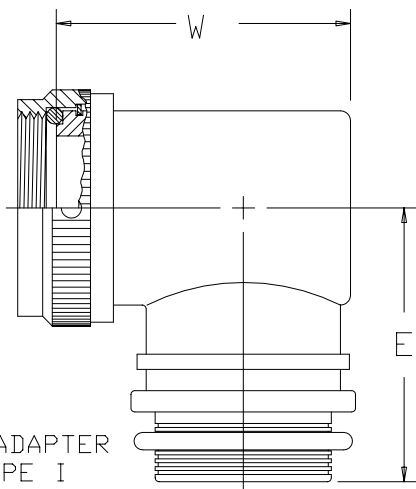
5 STRAIGHT ADAPTER-TYPE II



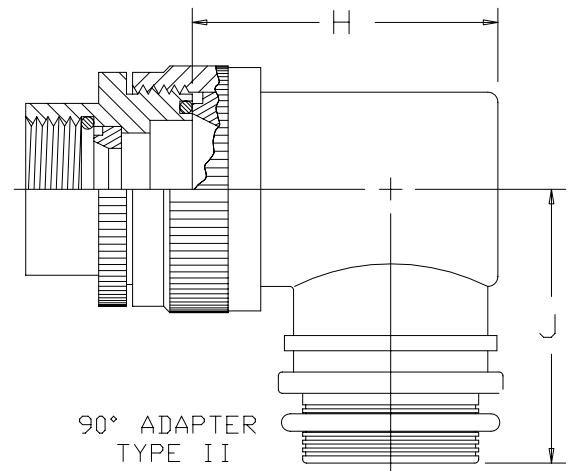
45° ADAPTER-TYPE I



45° ADAPTER-TYPE II



90° ADAPTER TYPE I



90° ADAPTER TYPE II

If this document is printed it becomes uncontrolled.
Check for the latest revision.

SIZE	CODE	IDENT. NO.	DWG. NO.	REV
A		06090	TXR51	E
DO NOT SCALE THIS DWG			CAD NAME \ACAD12\TXR51-2	SHEET 2 OF 3

SEE SHEET 1 FOR REVISION

ORDER NO.	SHELL SIZE $\text{\textcircled{6}}$	MAX ENTRY SIZE TYPE I $\text{\textcircled{5}}$	A THREAD CLASS 2B	B DIA MAX	C MAX	D MAX	E MAX
08	08	05	.438-28 UNEF	.79 [20.1]	.79 [20.1]	.95 [24.1]	1.21 [30.7]
10	10	07	.562-24 UNEF	.91 [23.1]	.81 [20.6]	.97 [24.6]	1.28 [32.5]
12	12	10	.750-20 UNEF	1.10 [27.9]	.85 [21.6]	1.01 [25.7]	1.37 [34.0]
14	14	10	.812-20 UNEF	1.16 [29.5]	.87 [22.1]	1.02 [25.9]	1.40 [35.6]
16	16	12	.936-20 UNEF	1.29 [32.8]	.89 [22.6]	1.05 [26.7]	1.46 [37.1]
18	18	14	1.062-18 UNEF	1.41 [35.8]	.92 [23.4]	1.07 [27.2]	1.53 [38.9]
20	20	16	1.188-18 UNEF	1.54 [39.1]	.94 [23.9]	1.10 [27.9]	1.59 [40.4]
22	22	18	1.312-18 UNEF	1.66 [42.2]	.97 [24.6]	1.13 [28.7]	1.65 [41.9]
24	24	20	1.438-18 UNEF	1.79 [45.5]	1.00 [25.4]	1.15 [29.2]	1.71 [43.4]

ENTRY SIZE	Z +.010 -.020	S DIA	Y ± 0.015 [± 0.38]	W MAX	F MAX	G MAX	H MAX	J MAX	K MAX
04	.250 [6.35]	.376 [9.56] .370 [9.39]	.550 [13.97]	1.17 [29.7]	N/A	N/A	N/A	N/A	N/A
05	.312 [7.92]	.438 [11.13] .432 [10.97]	.612 [15.54]	1.23 [31.2]	N/A	N/A	N/A	N/A	N/A
06	.375 [9.52]	.501 [12.73] .495 [12.57]	.675 [17.14]	1.29 [32.8]	.77 [19.6]	.93 [23.6]	1.19 [30.2]	1.16 [29.5]	.80 [20.3]
07	.437 [11.09]	.563 [14.31] .556 [14.12]	.737 [18.71]	1.35 [34.3]	.80 [20.3]	.95 [24.1]	1.38 [35.1]	1.22 [31.0]	.92 [23.4]
08	.500 [12.70]	.626 [15.91] .619 [15.72]	.800 [20.32]	1.40 [35.6]	.80 [20.3]	.95 [24.1]	1.38 [35.1]	1.22 [31.0]	.92 [23.4]
10	.625 [15.87]	.752 [19.11] .742 [18.84]	.925 [23.49]	1.53 [38.9]	.84 [21.3]	1.00 [25.4]	1.51 [38.4]	1.35 [34.3]	1.18 [30.0]
12	.750 [19.05]	.877 [22.28] .867 [22.02]	1.050 [26.67]	1.67 [42.4]	.86 [21.8]	1.01 [25.7]	1.63 [41.4]	1.40 [35.6]	1.35 [34.3]
14	.875 [22.23]	1.002 [25.46] .991 [25.17]	1.175 [29.84]	1.79 [45.5]	.88 [22.4]	1.04 [26.4]	1.78 [45.2]	1.46 [37.1]	1.41 [35.8]
16	1.000 [25.40]	1.127 [28.63] 1.116 [28.34]	1.300 [33.02]	1.91 [48.5]	.91 [23.1]	1.06 [26.9]	1.88 [47.8]	1.53 [38.9]	1.60 [40.6]
18	1.125 [28.57]	1.252 [31.81] 1.241 [31.52]	1.425 [36.19]	2.03 [51.6]	.93 [23.6]	1.09 [27.7]	2.01 [51.1]	1.59 [40.4]	1.66 [42.2]
20	1.250 [31.75]	1.377 [34.98] 1.366 [34.69]	1.550 [39.37]	2.17 [55.1]	.98 [24.9]	1.13 [28.7]	2.13 [54.1]	1.78 [45.2]	2.04 [51.8]
22	1.375 [34.93]	1.502 [38.15] 1.488 [37.79]	1.675 [42.55]	N/A	1.03 [26.2]	1.38 [35.1]	2.29 [58.2]	1.85 [47.0]	2.23 [56.6]
24	1.500 [38.10]	1.627 [41.33] 1.613 [40.97]	1.800 [45.72]	N/A	1.08 [27.4]	1.44 [36.6]	2.42 [61.5]	1.92 [48.8]	2.23 [56.6]

If this document is printed it becomes uncontrolled.
Check for the latest revision.

SIZE	CODE IDENT. NO.	DWG. NO.	REV
A	06090	TXR51	E
DO NOT SCALE THIS DWG		CAD NAME \ACAD\TXR51-3	SHEET 3 OF 3