

MATERIALS AND FINISHES

BODY BRASS  
PLATED NICKEL

HOUSING BRASS  
PLATED TIN

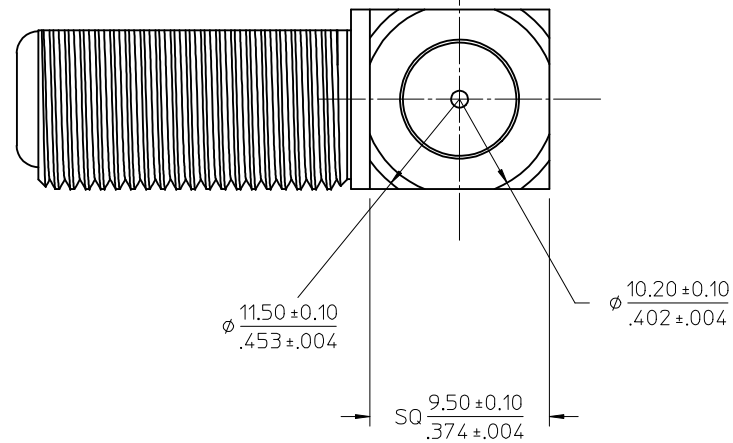
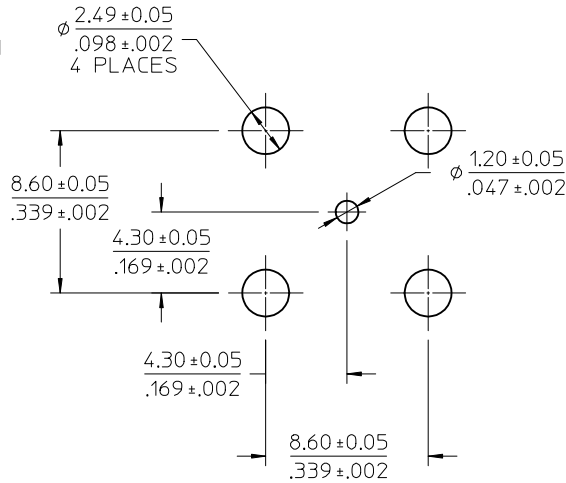
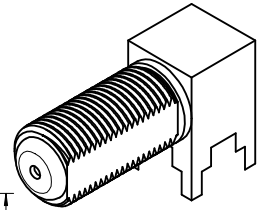
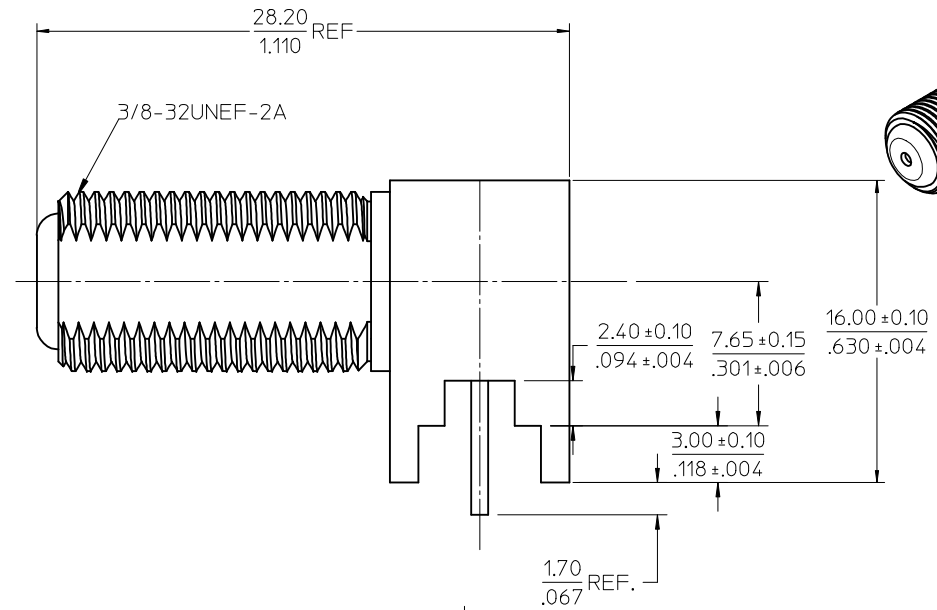
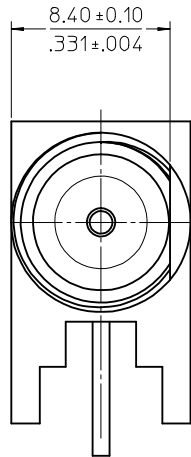
CENTER CONTACT (MATING END)  
PHOSPHOR BRONZE  
PLATED TIN

CENTER CONTACT (PCB END) BRASS.  
PLATED TIN

INSULATOR FRONT P.P./P.E

INSULATOR MIDDLE POM

INSULATOR BOTTOM POM



NOTE:  
WAVE SOLDER ONLY

PART NUMBER: 73330-0030

PCB HOLE CONFIGURATION

PS-89675-368	WAVE SOLDER PROFILE
PS-73598-0080	ELECTRO/MECHANICAL PERFORMANCE
SPECIFICATION	DESCRIPTION

CHG: DIM 18.7 TO 17.7	2009/07/22
EC NO: URFZ20060024	2009/07/27
DRWR: YEH	2009/07/27
CHKD:	
APPR: HUANG	2009/07/27
REV	DESCRIPTION

QUALITY SYMBOLS	GENERAL TOLERANCES (UNLESS SPECIFIED)
▽=0	mm INCH
▽=0	4 PLACES ± --- ± ---
	3 PLACES ± --- ± ---
	2 PLACES ± --- ± ---
	1 PLACE ± --- ± ---
	ANGULAR ± ---°
	DRAFT WHERE APPLICABLE MUST REMAIN WITHIN DIMENSIONS

DIMENSION STYLE	SCALE	DESIGN UNITS	THIRD ANGLE PROJECTION
MM/IN		METRIC	
DRAWN BY	DATE	TITLE	
DARRY	2006/10/27	F R/A JACK PCB 75 OHM	
CHECKED BY	DATE	F-RA/PCB	
JOHNSON	2006/10/27		
APPROVED BY	DATE		
MISEN	2006/10/27		
MATERIAL NO.	DOCUMENT NO.		
73330-0030	SD-73330-003		
SIZE			
C			

MATERIAL NO.	DOCUMENT NO.	SHEET NO.
73330-0030	SD-73330-003	1 OF 1
THIS DRAWING CONTAINS INFORMATION THAT IS PROPRIETARY TO MOLEX INCORPORATED AND SHOULD NOT BE USED WITHOUT WRITTEN PERMISSION		