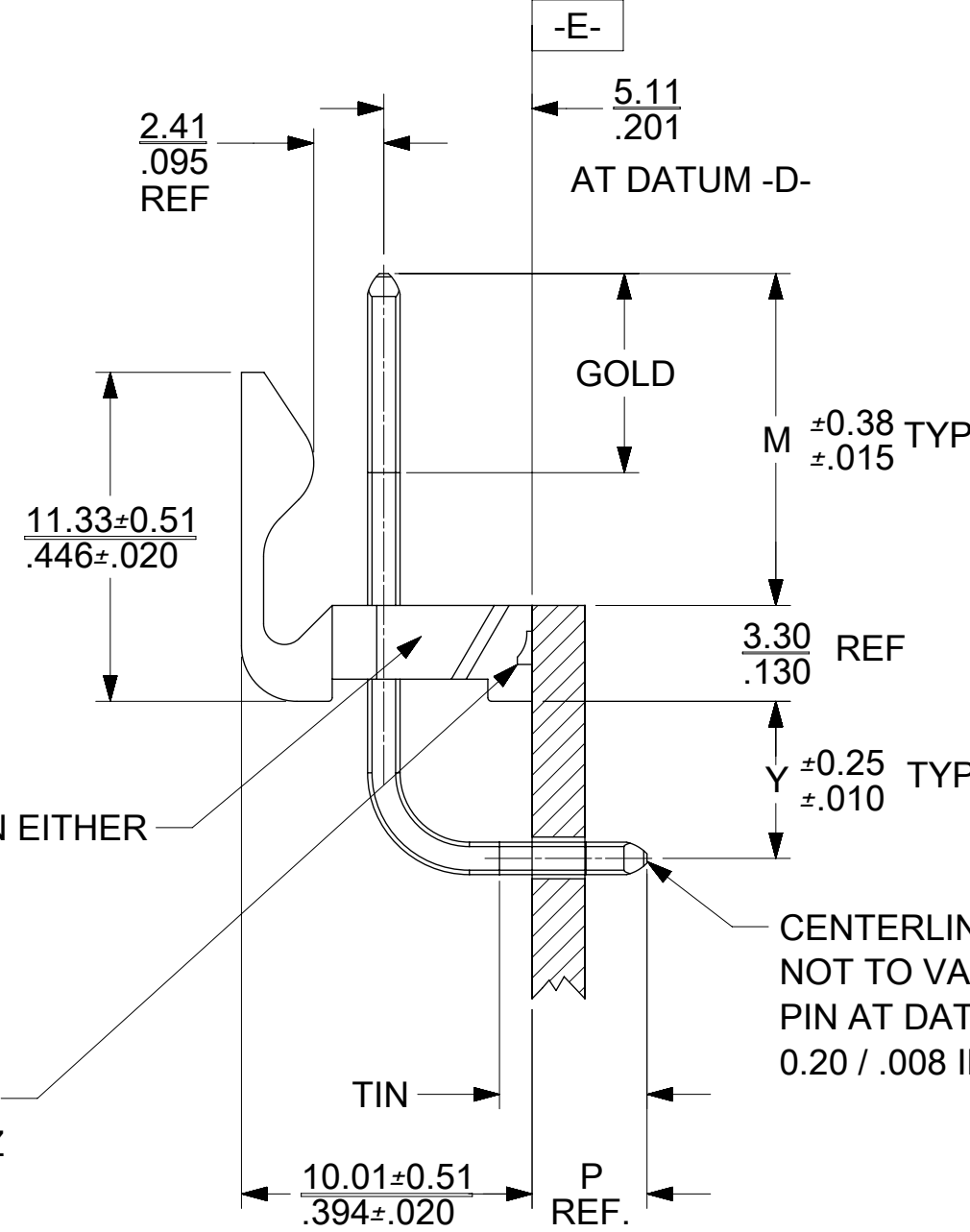


DETAIL Z
SCALE 8:1

FEATURE MAY BE ON EITHER
SIDE OF THE PART

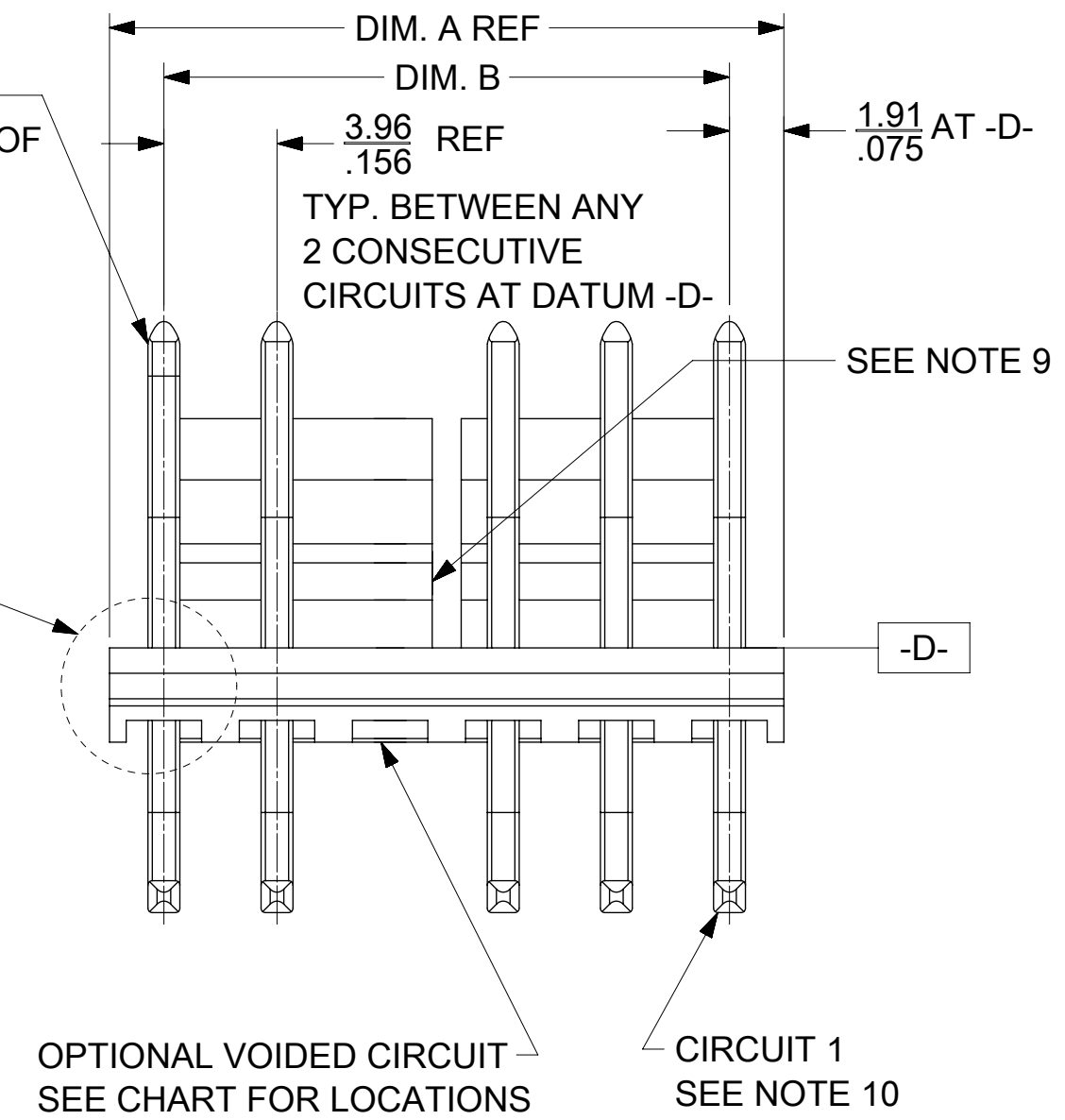
SEE NOTE 11
AND DETAIL Z



CENTERLINE OF PIN AT TIP
NOT TO VARY FROM CENTERLINE OF
PIN AT DATUM -D- BY MORE THAN
0.20 / .008 IN ANY DIRECTION.

SEE DETAIL Z
SEE NOTE 11

CENTERLINE OF PIN AT TIP
NOT TO VARY FROM CENTERLINE OF
PIN AT DATUM -E- BY MORE THAN
0.20 / .008 IN ANY DIRECTION.

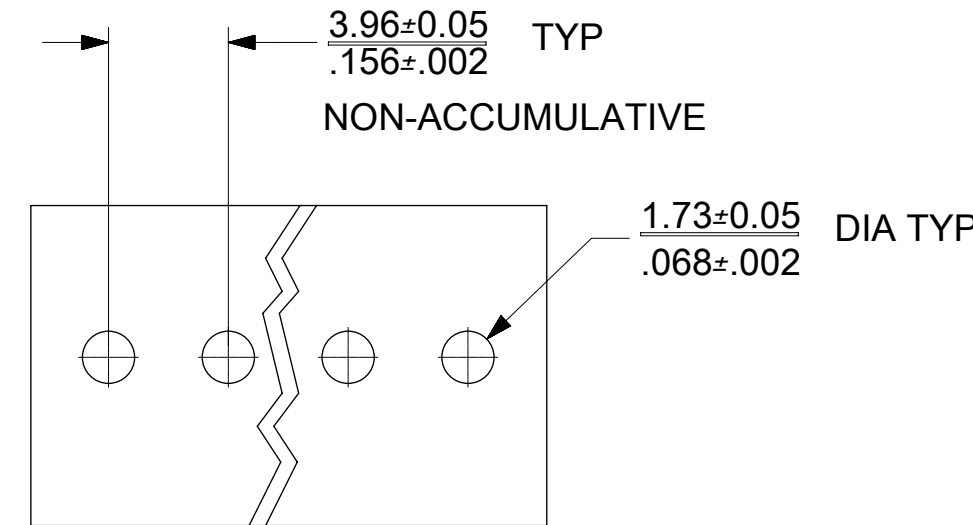


OPTIONAL VOIDED CIRCUIT
SEE CHART FOR LOCATIONS

CIRCUIT 1
SEE NOTE 10

NOTES:

- MATERIAL: HOUSING: NYLON, UL94V-1, COLOR: BLACK
PINS: BRASS
- FINISH: (197) = OVERALL REFLOWED MATTE TIN: 0.00152/.000060 MIN.
OVER 0.00127/.000050 MIN. NICKEL OVERALL.
(208) = SELECT GOLD: 0.00038/.000015 MIN,
SELECT MATTE TIN: 0.00254/.000100 MIN,
BOTH OVER 0.00127/.000050 MIN NICKEL.
(228) = SELECT GOLD: 0.00076/.000030 MIN,
SELECT MATTE TIN: 0.00254/.000100 MIN,
BOTH OVER 0.00127/.000050 MIN NICKEL.
- PRODUCT SPECIFICATION: PS-171813-0001, PS-171813-0002
- PACKAGING INFORMATION: SEE CHART
- SOLDERABILITY: PER SMES-152.
- PIN PUSH-OUT FORCE: PRIOR TO SOLDERING, A 3 LB. MINIMUM FORCE
IN EITHER DIRECTION
- PARTS ARE STACKABLE END TO END ON 3.96/.156 CENTERS.
- THIS PART CONFORMS TO CLASS B REQUIREMENTS OF COSMETIC
SPECIFICATION PS-45499-002.
- SLOTS ON BACKWALL ARE BETWEEN CIRCUITS. SEE CHART FOR LOCATION.
- CIRCUIT 1 DESIGNATION IS USED TO DEFINE VOID LOCATION. CIRCUIT 1
MAY OR MAY NOT LINE UP WITH CIRCUIT 1 ON THE MATING HOUSING.
- FEATURE MAY OR MAY NOT EXTEND ACROSS THE ENTIRE FACE OF THE PART.
SEE DETAIL Z.
- THE PARTS LISTED ON THIS DRAWING ARE CONSTRUCTED TO MEET THE
REQUIREMENT FOR DIRECT SUPPORT OF UNINSULATED LIVE PARTS
AS DESCRIBED IN UL508C.



PCB LAYOUT: COMPONENT SIDE

| CIRCUIT SIZE | DIM. A | DIM. B | SLOT LOCATION BETWEEN CIRCUITS |
|--------------|----------------|--------------------------|--------------------------------|
| 2 | 7.77 .306 | 3.96±0.05 .156±.002 | NONE |
| 3 | 11.73 .462 | 7.92±0.10 .312±.004 | NONE |
| 4 | 15.70 .618 | 11.89±0.15 .468±.006 | NONE |
| 5 | 19.66 .774 | 15.85±0.15 .624±.006 | NONE |
| 6 | 23.62 .930 | 19.81±0.18 .780±.007 | 3 & 4 |
| 7 | 27.58 1.086 | 23.77±0.18 .936±.007 | 4 & 5 |
| 8 | 31.55 1.242 | 27.74±0.20 1.092±.008 | 4 & 5 |
| 9 | 35.51 1.398 | 31.70±0.20 1.248±.008 | 5 & 6 |
| 10 | 39.47 1.554 | 35.66±0.23 1.404±.009 | 5 & 6 |
| 11 | 43.43 1.710 | 39.62±0.23 1.560±.009 | 6 & 7 |
| 12 | 47.40 1.866 | 43.59±0.25 1.716±.010 | 4 & 5 8 & 9 |

| | | | | | | |
|---|---|--|------|------------------------|------------------------|--|
| QUALITY SYMBOLS = 0 = 0 = 0 = 0 = 0 = 0 = 0 = 0 = 0 = 0 | THIS DRAWING CONTAINS INFORMATION THAT IS PROPRIETARY TO MOLEX ELECTRONIC TECHNOLOGIES, LLC AND SHOULD NOT BE USED WITHOUT WRITTEN PERMISSION | GENERAL TOLERANCES (UNLESS SPECIFIED) | | DIMENSION UNITS | SCALE | molex KK RPC .156 HEADER ASS'Y FRICTION LOCK RIGHT ANGLE W/O PEGS PRODUCT CUSTOMER DRAWING |
| | | MM | INCH | MM/IN | 4:1 | |
| | | 4 PLACES ± | ± | DRWN BY | DATE | |
| 3 PLACES ± | ± 0.01 | CHK'D BY | DATE | SSOUSEK | 2012/09/14 | SERIES 171814 |
| 2 PLACES ± 0.25 | ± 0.015 | APPR BY | DATE | FSMITH | 2013/06/11 | |
| 1 PLACES ± 0.38 | ± | ANGULAR TOL = 0.5 | | DRAWING SIZE | THIRD ANGLE PROJECTION | CUSTOMER GENERAL MARKET |
| 0 PLACES ± | ± | DRAFT WHERE APPLICABLE MUST REMAIN WITHIN DIMENSIONS | | C | | |
| REV APPR: FSMITH | | REV APPR: JBELLS | | REV APPR: BAPPELDORN | | DOC TYPE PSD |
| EC NO: 113073 | | EC NO: 113073 | | EC NO: 113073 | | DOC PART 000 |
| 2017/02/03 | | 2017/02/06 | | 2017/02/09 | | SHEET NUMBER 1 OF * |

| OPTIONS | Group | 171814-0002/0012 | Group | 171814-1002/1012 | Group | 171814-2002/2012 |
|---------|-------------|----------------------|-------------|----------------------|-------------|----------------------|
| | Plating: | 197 – TIN | Plating: | 208 – 15 GOLD | Plating: | 228 – 30 GOLD |
| | Mating M | 11.33 / .446 | Mating M | 11.33 / .446 | Mating M | 11.33 / .446 |
| | Gold Loc G | N/A | Gold Loc G | 6.85 / .270 | Gold Loc G | 6.85 / .270 |
| | Height Y | 5.41 / .213 | Height Y | 5.41 / .213 | Height Y | 5.41 / .213 |
| | PC Tail P | 2.54/ .100 | PC Tail P | 2.54/ .100 | PC Tail P | 2.54/ .100 |
| | Tin Loc T | OVERALL | Tin Loc T | 5.08 / .200 | Tin Loc T | 5.08 / .200 |
| | Voided Ckts | NONE | Voided Ckts | NONE | Voided Ckts | NONE |
| | Pack Per | PK-41792-002 BULK | Pack Per | PK-41792-002 BULK | Pack Per | PK-41792-002 BULK |
| | | | | | | |
| Ckts | Material No | | Material No | | Material No | |
| 2 | 171814-0002 | | 171814-1002 | | 171814-2002 | |
| 3 | 171814-0003 | | 171814-1003 | | 171814-2003 | |
| 4 | 171814-0004 | | 171814-1004 | | 171814-2004 | |
| 5 | 171814-0005 | | 171814-1005 | | 171814-2005 | |
| 6 | 171814-0006 | | 171814-1006 | | 171814-2006 | |
| 7 | 171814-0007 | | 171814-1007 | | 171814-2007 | |
| 8 | 171814-0008 | | 171814-1008 | | 171814-2008 | |
| 9 | 171814-0009 | | 171814-1009 | | 171814-2009 | |
| 10 | 171814-0010 | | 171814-1010 | | 171814-2010 | |
| 11 | 171814-0011 | | 171814-1011 | | 171814-2011 | |
| 12 | 171814-0012 | | 171814-1012 | | 171814-2012 | |

| | | | |
|-------------------------|------------------------------|--|----------------------|
| REV: | <u>ECR/ECN INFORMATION:</u> | <u>TITLE:</u> | <u>SHEET No.</u> |
| A4 | EC No.: UCP2016-0009 | KK RPC 156 HEADER ASSEMBLY FRICTION LOCK RIGHT ANGLE W/O PEGS | - 2 - |
| | DATE: 8/27/2015 | | |
| <u>DOCUMENT NUMBER:</u> | <u>CREATED / REVISED BY:</u> | <u>CHECKED BY:</u> | <u>APPROVED BY:</u> |
| SD-171814-0001 | MKIPPER | JBELL | FSMITH-ROEMER |

| | | | | | | |
|---------|-------------|----------------------|-------------|----------------------|-------------|--|
| OPTIONS | Group | 171814-0102/0112 | Group | 171814-1104 | Group | |
| | Plating: | 197 – TIN | Plating: | 208 – 15 GOLD | Plating: | |
| | Mating M | 11.43 / .450 | Mating M | 11.43 / .450 | Mating M | |
| | Gold Loc G | N/A | Gold Loc G | 6.85 / .270 | Gold Loc G | |
| | Height Y | 5.41 / .213 | Height Y | 5.41 / .213 | Height Y | |
| | PC Tail P | 3.96/ .156 | PC Tail P | 3.96/ .156 | PC Tail P | |
| | Tin Loc T | OVERALL | Tin Loc T | 5.08 / .200 | Tin Loc T | |
| | Voided Ckts | NONE | Voided Ckts | NONE | Voided Ckts | |
| | Pack Per | PK-41792-002 BULK | Pack Per | PK-41792-002 BULK | Pack Per | |
| | | | | | | |
| Ckts | Material No | | Material No | | Material No | |
| 2 | 171814-0102 | | | | | |
| 3 | 171814-0103 | | | | | |
| 4 | 171814-0104 | | 171814-1104 | | | |
| 5 | 171814-0105 | | | | | |
| 6 | 171814-0106 | | | | | |
| 7 | 171814-0107 | | | | | |
| 8 | 171814-0108 | | | | | |
| 9 | 171814-0109 | | | | | |
| 10 | 171814-0110 | | | | | |
| 11 | 171814-0111 | | | | | |
| 12 | 171814-0112 | | | | | |

| | | | |
|---|---|--|--------------------------------------|
| REV: A4 | ECR/ECN INFORMATION: EC No.: UCP2016-0009 DATE: 8/27/2015 | TITLE: KK RPC 156 HEADER ASSEMBLY FRICTION LOCK RIGHT ANGLE W/O PEGS | SHEET No. - 3 - |
| DOCUMENT NUMBER: SD-171814-0001 | CREATED / REVISED BY: MKIPPER | CHECKED BY: JBELL | APPROVED BY: FSMITH-ROEMER |

| OPTIONS | Group | 171814-3002/3012 | Group | 171814-4002/4012 | Group | |
|---------|-------------|---------------------------------|-------------|---------------------------------|-------------|--|
| | Plating: | 197 – TIN | Plating: | 208 – 15 GOLD | Plating: | |
| | Mating M | 11.33 / .446 | Mating M | 11.33 / .446 | Mating M | |
| | Gold Loc G | N/A | Gold Loc G | 6.85 / .270 | Gold Loc G | |
| | Height Y | 5.41 / .213 | Height Y | 5.41 / .213 | Height Y | |
| | PC Tail P | 2.54/ .100 | PC Tail P | 2.54/ .100 | PC Tail P | |
| | Tin Loc T | OVERALL | Tin Loc T | 5.08 / .200 | Tin Loc T | |
| | Voided Ckts | NONE | Voided Ckts | NONE | Voided Ckts | |
| | Pack Per | PK-171814-0001 TAPE AND REEL | Pack Per | PK-171814-0001 TAPE AND REEL | Pack Per | |
| | | | | | | |
| Ckts | Material No | | Material No | | Material No | |
| 2 | 171814-3002 | | 171814-4002 | | | |
| 3 | 171814-3003 | | 171814-4003 | | | |
| 4 | 171814-3004 | | 171814-4004 | | | |
| 5 | 171814-3005 | | 171814-4005 | | | |
| 6 | 171814-3006 | | 171814-4006 | | | |
| 7 | 171814-3007 | | 171814-4007 | | | |
| 8 | 171814-3008 | | 171814-4008 | | | |
| 9 | 171814-3009 | | 171814-4009 | | | |
| 10 | 171814-3010 | | 171814-4010 | | | |
| 11 | 171814-3011 | | 171814-4011 | | | |
| 12 | 171814-3012 | | 171814-4012 | | | |

| | | | |
|---|---|--|-----------------------------|
| REV: A4 | ECR/ECN INFORMATION: EC No.: UCP2016-0009 DATE: 8/27/2015 | TITLE: KK RPC 156 HEADER ASSEMBLY FRICTION LOCK RIGHT ANGLE W/O PEGS | SHEET No. - 4 - |
| DOCUMENT NUMBER: SD-171814-0001 | | CREATED / REVISED BY: MKIPPER | CHECKED BY: JBELL |
| | | APPROVED BY: FSMITH-ROEMER | |

| | | | | | | |
|---------|-------------|----------------------|-------------|--|-------------|--|
| OPTIONS | Group | 171814-9999 | Group | | Group | |
| | Plating: | 197 – TIN | Plating: | | Plating: | |
| | Mating M | 11.43 / .450 | Mating M | | Mating M | |
| | Gold Loc G | N/A | Gold Loc G | | Gold Loc G | |
| | Height Y | 5.41 / .213 | Height Y | | Height Y | |
| | PC Tail P | 3.96/ .156 | PC Tail P | | PC Tail P | |
| | Tin Loc T | OVERALL | Tin Loc T | | Tin Loc T | |
| | Voided Ckts | 3, 5, 7 | Voided Ckts | | Voided Ckts | |
| | Pack Per | PK-41792-002 BULK | Pack Per | | Pack Per | |
| | | | | | | |
| Ckts | Material No | | Material No | | Material No | |
| 2 | | | | | | |
| 3 | | | | | | |
| 4 | | | | | | |
| 5 | | | | | | |
| 6 | | | | | | |
| 7 | 171814-9999 | | | | | |
| 8 | | | | | | |
| 9 | | | | | | |
| 10 | | | | | | |
| 11 | | | | | | |
| 12 | | | | | | |

| | | | |
|---|---|--|-----------------------------|
| REV: A4 | ECR/ECN INFORMATION: EC No.: UCP2016-0009 DATE: 8/27/2015 | TITLE: KK RPC 156 HEADER ASSEMBLY FRICTION LOCK RIGHT ANGLE W/O PEGS | SHEET No. - 5 - |
| DOCUMENT NUMBER: SD-171814-0001 | | CREATED / REVISED BY: MKIPPER | CHECKED BY: JBELL |
| | | APPROVED BY: FSMITH-ROEMER | |