



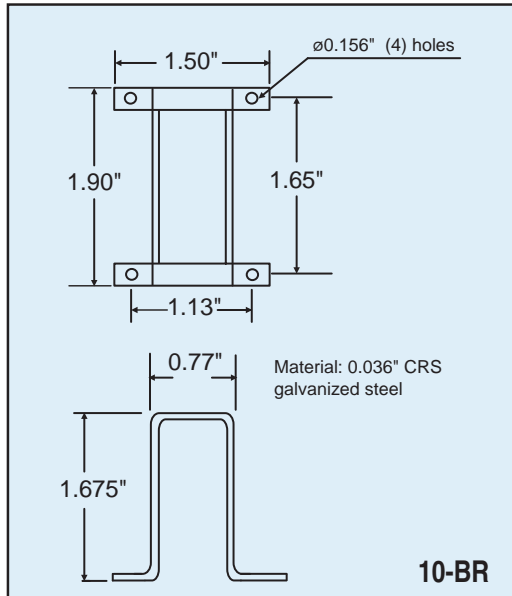
Accessories

Mounting Hardware | TransPort™ Connectors



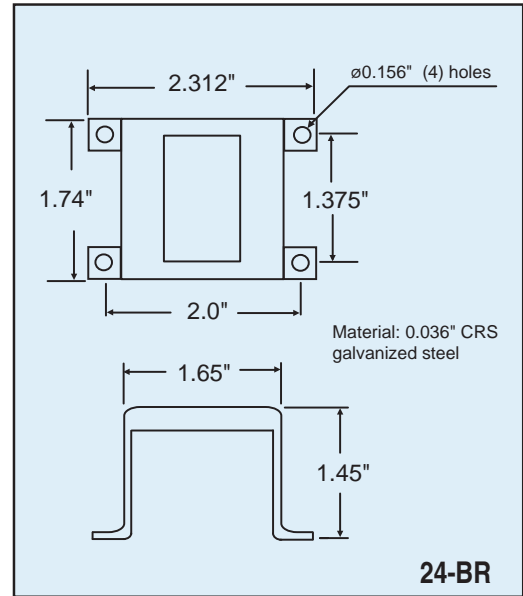
- Signal's accessory products include brackets, screws and TransPort™ connectors to be used in conjunction with a variety of our power transformers.

Brackets

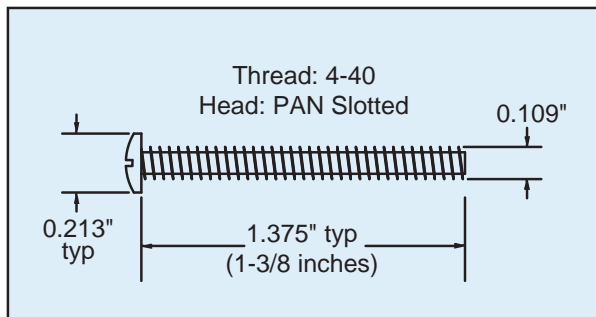


| Bracket | | |
|---------|----------------|----------------|
| Number | MW | MD |
| | Inches (mm) | |
| 10-BR | 1.65 (41.9) | 1.13 (28.7) |
| 24-BR | 1.37 (34.9) | 2.00 (50.8) |

- 10-BR bracket for use with Signal's 10VA size PC, DPC, MPC, and DMPC series transformers
- 24-BR bracket for use with Signal's 24VA size PC, DPC, MPC, and DMPC series transformers
- Please refer to transformer data sheets for details on bracket compatibility and transformer part numbers

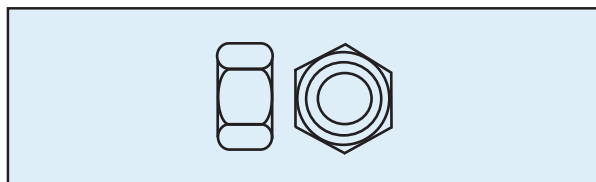


Screws



| Part Number | Description |
|-------------|--|
| ST-MS* | Slotted pan screw 4-40, 1 3/8" long, plastic |
| ST-MN* | Hex nut 4-40, plastic |
| 250-FO-SL* | 1/4" Fast-on spade lug (used with TransPort™ connectors) |

* Sold in bags of 100 only.



- For use with Signal's 14A, ST, DST, LP, and MPL series transformers
- Slotted pan screw 4-40 x 1 3/8" thread size (part number ST-MS)
- Compatible with 4-40 hex nut (part number ST-MN)

©2015 Signal Transformer Inc. Specifications subject to change without notice. 07.15