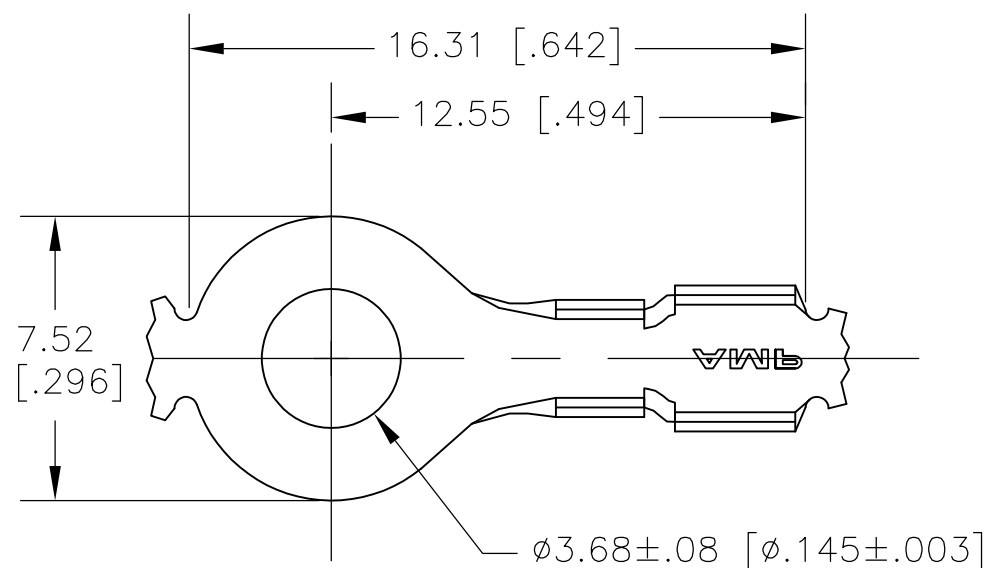
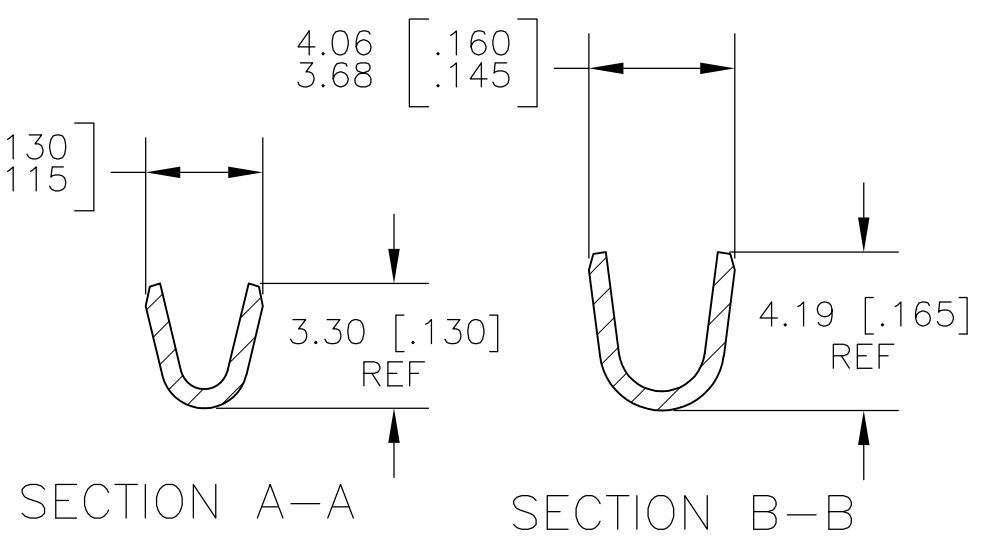
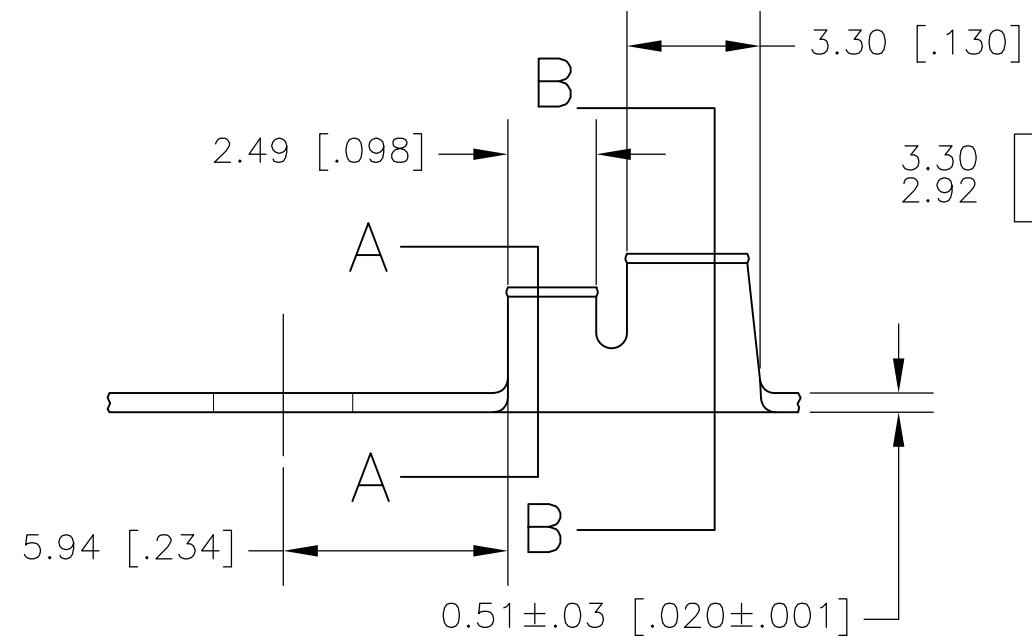


THIS DRAWING IS UNPUBLISHED. RELEASED FOR PUBLICATION  
 © COPYRIGHT BY TYCO ELECTRONICS CORPORATION. ALL RIGHTS RESERVED.

LOC	DIST	REVISIONS			
P	LTR	DESCRIPTION	DATE	DWN	APVD
AF	50	P	REVISED PER ECR-10-06099	07JUL10	HMR PD



1. CONTINUOUS STRIP ON REELS.
  3. WIRE SIZE [22-18] AWG.
  4. INSULATION RANGE 1.52-2.79 [.060-.110] DIA.
- △ 5 PRELIMINARY - NOT FOR PRODUCTION



1/2 HARD STAINLESS STEEL	△ 5 40697-2
082 BRASS	40697
MATERIAL	PART NUMBER

THIS DRAWING IS A CONTROLLED DOCUMENT.		DWN	JR RUTH	17NOV00	Tyco Electronics Corporation Harrisburg, Pa 17105-3608
DIMENSIONS: INCHES		CHK	MS FEHER	17NOV00	
		APVD	D DECKER	17NOV00	
TOLERANCES UNLESS OTHERWISE SPECIFIED:		PRODUCT SPEC		NAME	
0 PLC ± -		-		RING TONGUE	
1 PLC ± -		-		SIZE	
2 PLC ± 0.38 [.015]		-		CAGE CODE	
3 PLC ± -		-		DRAWING NO	
4 PLC ± -		-		RESTRICTED TO	
ANGLES ± -		-		A3 00779 C-40697	
MATERIAL SEE TABLE		FINISH		TIN	
		WEIGHT		-	
		CUSTOMER DRAWING		SCALE 5:1	
				SHEET 1 OF 1	
				REV P	