

REV. NO.	031-7425		
REV.	DATE	REVISIONS	
A	27635 8/2/12	REVISED & UPDATED	

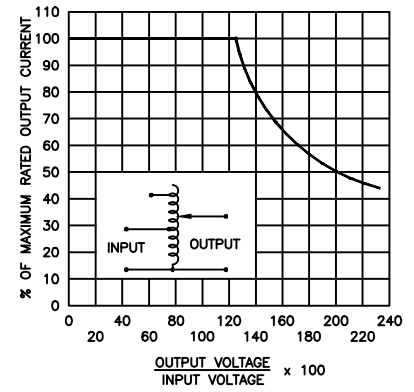
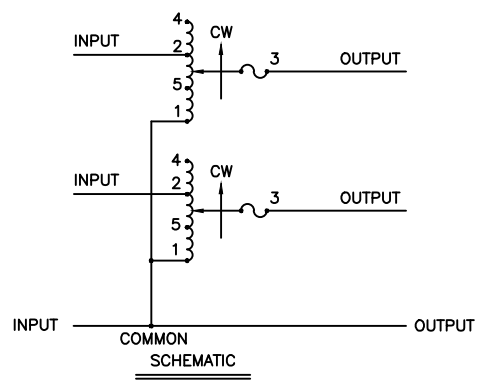
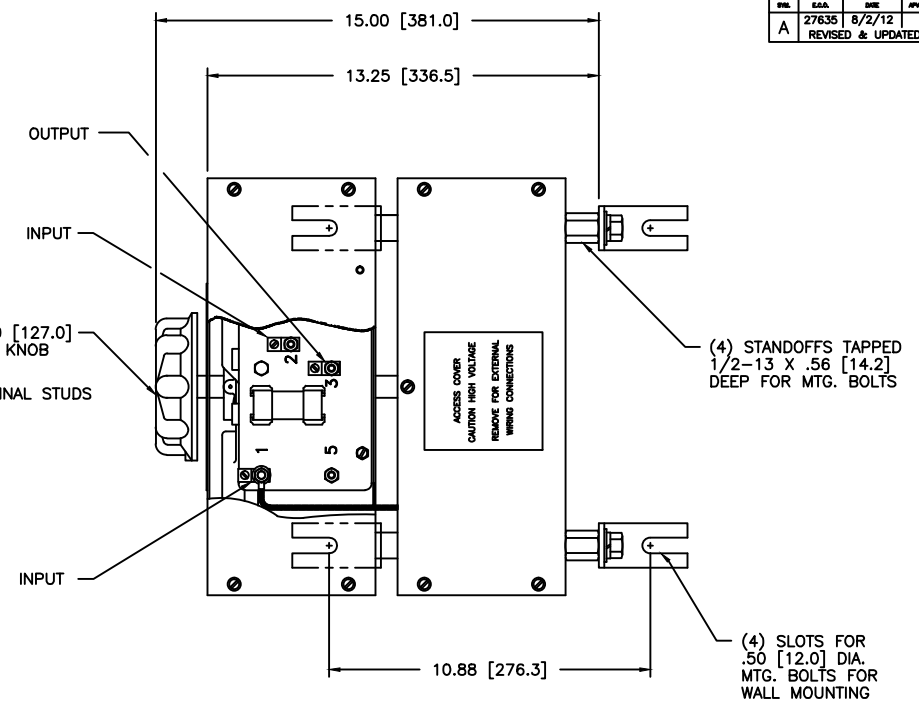
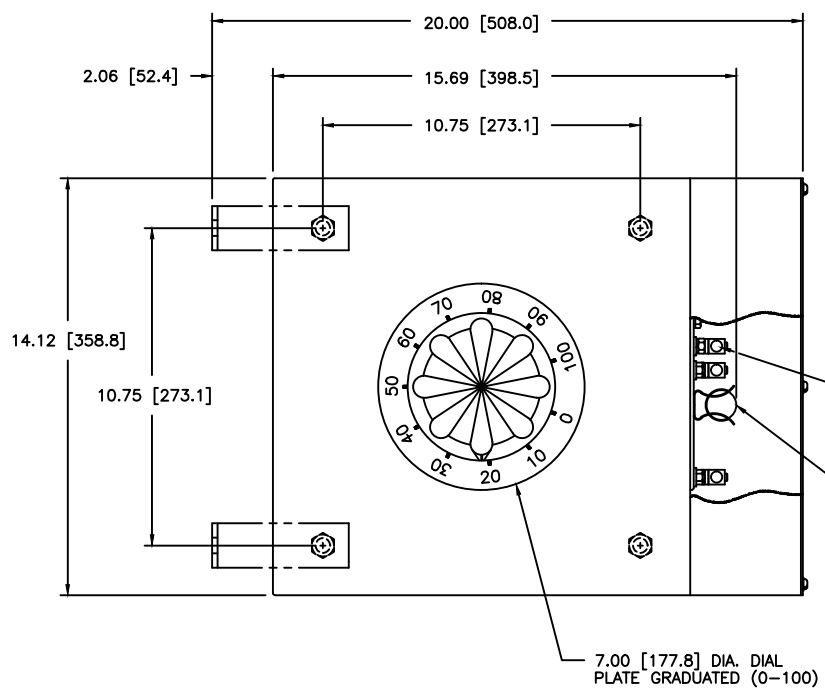


FIGURE A
MAXIMUM OUTPUT CURRENT OF ANY DUAL INPUT VOLTAGE OR VOLTAGE DOUBLER UNIT OPERATED AT LOWER INPUT VOLTAGE.

* MAXIMUM OUTPUT CURRENT IN OUTPUT VOLTAGE RANGE FROM 0 TO 25 PERCENT ABOVE LINE VOLTAGE. AT HIGHER OUTPUT VOLTAGES, OUTPUT CURRENT MUST BE REDUCED ACCORDING TO RATING CURVE (SEE FIGURE A).
++ MAXIMUM KVA AT MAXIMUM OUTPUT AND CORRESPONDING DE-RATED CURRENT. MAXIMUM KVA AT LOWER OUTPUT VOLTAGES MAY BE CALCULATED FROM RATING CURVE, (SEE FIGURE A).
V.D. = VOLTAGE DOUBLER.

SPECIFICATIONS								
WIRING	INPUT		OUTPUT		SHAFT ROTATION TO INCREASE VOLTAGE	TERMINAL CONNECTIONS		
	VOLTS	HERTZ	VOLTS	MAX. AMPS		MAX. KVA	FOR INCREASING VOLTAGE AS VIEWED FROM ROTOR END	
						INPUT	JUMPER	OUTPUT
THREE PHASE OPEN DELTA	240	50/60	0-240	28	11.6	CW	4-1-4	3-1-3
			0-280	28	13.6	CW	2-1-2	3-1-3
	120	50/60	0-280	28-12 V.D.	5.8 ±	CW	5-1-5	3-1-3

<small>UNLESS OTHERWISE SPECIFIED, TOLERANCE IS ± .0001 INCHES AS SHOWN. ALL DIMENSIONS ARE TO CENTER UNLESS OTHERWISE SPECIFIED. DIMENSIONS TO CENTER UNLESS OTHERWISE SPECIFIED. DIMENSIONS TO CENTER UNLESS OTHERWISE SPECIFIED.</small>	<small>ALL DIMENSIONS ARE TO CENTER UNLESS OTHERWISE SPECIFIED. DIMENSIONS TO CENTER UNLESS OTHERWISE SPECIFIED. DIMENSIONS TO CENTER UNLESS OTHERWISE SPECIFIED.</small>	SPEC. CONTROL DRAWING VARIABLE TRANSFORMER TYPE: 5021CT-2D	
<small>The information and design disclosed herein are confidential and are the property of STACO ENERGY PRODUCTS CO. which reserves all rights in this information. No part of this information may be reproduced or transmitted in any form or by any means, electronic, mechanical, photocopying, recording, or by any information storage and retrieval system, without the prior written permission of STACO ENERGY PRODUCTS CO. The foregoing does not apply to resale of this information.</small>	<small>DESIGNED BY</small> TIM RAU <small>DATE</small> 3/7/97 <small>FIRST USED ON</small> DATE <small>REVISED BY</small> DATE <small>SCALE</small> 1:1 <small>SHEET</small> 1 OF 1	<small>DATE</small> 3/7/97 <small>DATE CODE</small> 83008 <small>REV.</small> D <small>DRAWING NO.</small> 031-7425	