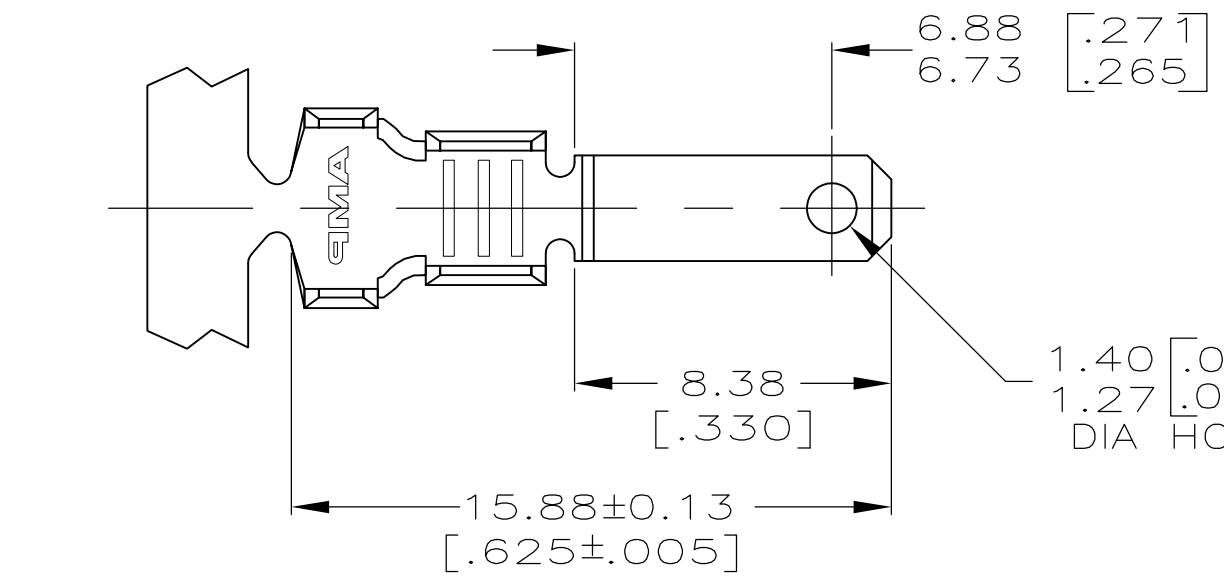


THIS DRAWING IS UNPUBLISHED. RELEASED FOR PUBLICATION
 © COPYRIGHT BY TYCO ELECTRONICS CORPORATION. ALL INTERNATIONAL RIGHTS RESERVED.

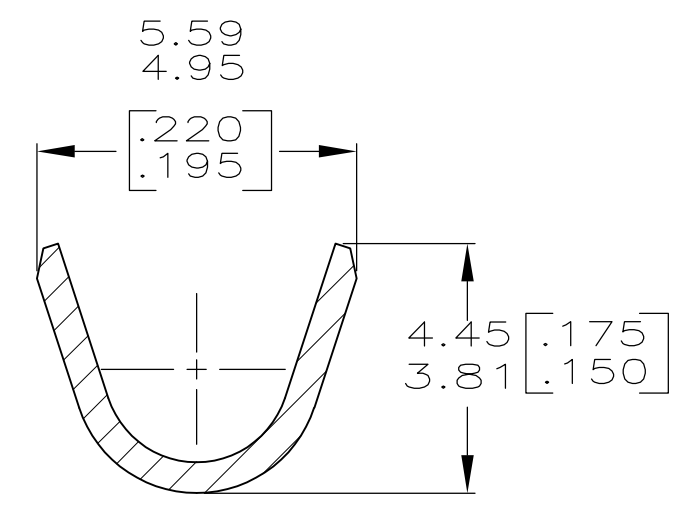
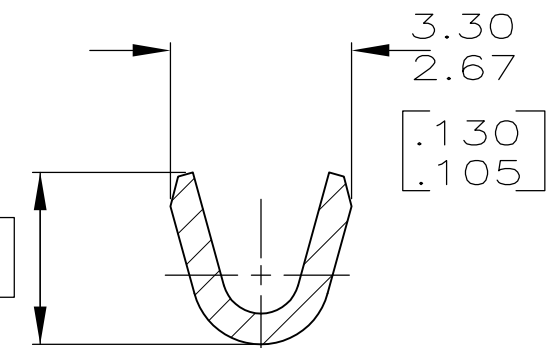
LOC	DIST	REVISIONS			
P	LTR	DESCRIPTION	DATE	DWN	APVD
AF	50	J	REVISED PER ECR-10-004058	09JUN10	HMR PD

- 1 CONTINUOUS STRIP ON REELS.
- 2 WIRE SIZE IS [22-18] AWG.
- 3 INSULATION RANGE IS 1.78-3.30 [.070-.130] DIA.



1.40 [.055]
1.27 [.050]
DIA HOLE

0.81±0.025 [.032±.001] SECTION X-X
SCALE 10:1



SECTION Y-Y
SCALE 10:1

PLAIN	63138-2
TIN	63138-1
FINISH	PART NO

THIS DRAWING IS A CONTROLLED DOCUMENT.		DWN JR RUTH 3/21/95	Tyco Electronics Corporation Harrisburg, PA 17105-3608		
DIMENSIONS: mm [INCHES]		CHK MS FEHER 3/21/95			
TOLERANCES UNLESS OTHERWISE SPECIFIED:		APVD J HUZVAR 3/21/95	NAME TAB, FASTON™, 2.79 [.110] SERIES		
0 PLC ± - 1 PLC ± - 2 PLC ± 0.38 [.015] 3 PLC ± - 4 PLC ± - ANGLES ± -		PRODUCT SPEC -	APPLICATION SPEC -		
MATERIAL 082 PRE-MILLED BRASS	FINISH SEE TABLE	WEIGHT -	SIZE A3	CAGE CODE 00779	DRAWING NO C-63138
CUSTOMER DRAWING			SCALE 5:1	SHEET 1 OF 1	REV J