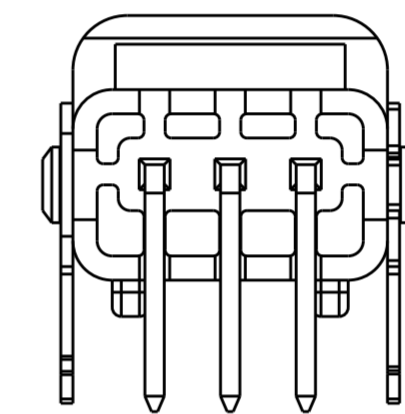
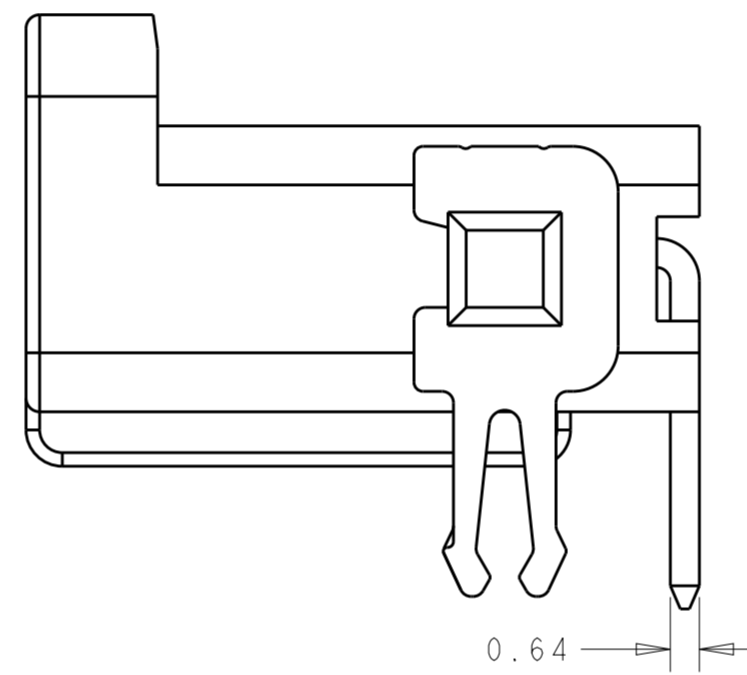
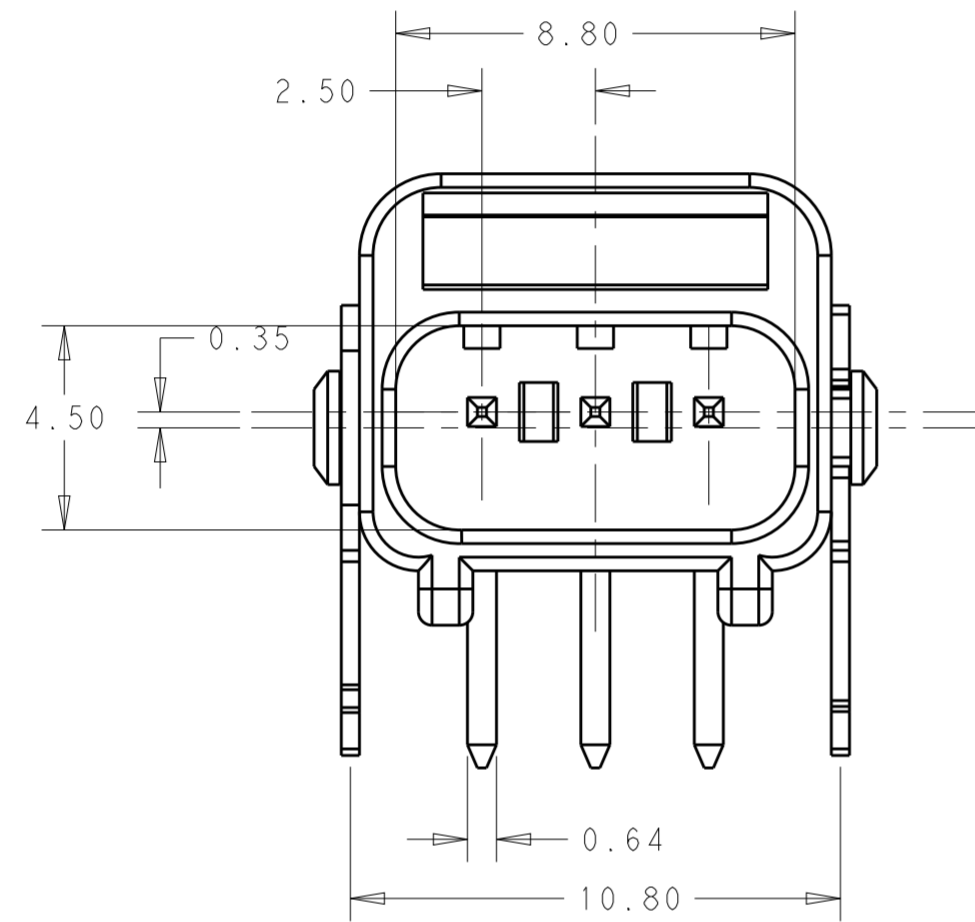
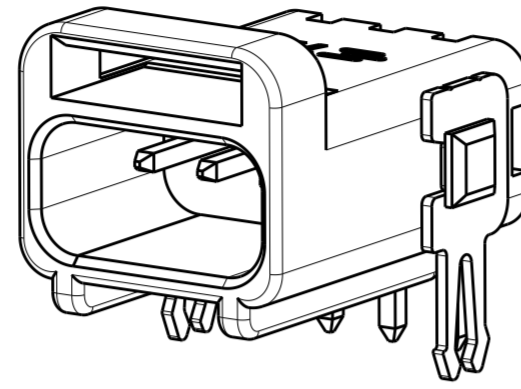


THIS DRAWING IS UNPUBLISHED. RELEASED FOR PUBLICATION
 © COPYRIGHT copyright.d8te- ALL RIGHTS RESERVED.

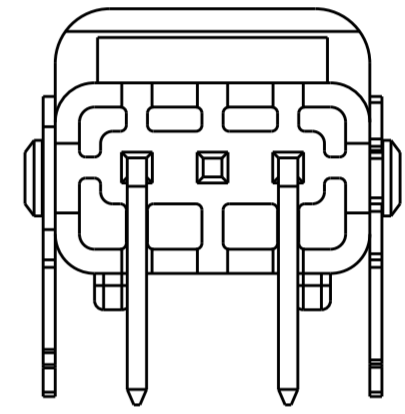
REVISIONS					
P	LTR	DESCRIPTION	DATE	DWN	APVD
	A	FIRST VERSION	25APR2017	G.F	S.M
	A1	ECR-17-015236: ADD COLOR P/N	16OCT2017	G.F	S.M
	A2	ECR-18-009817	28JUN2018	G.F	S.M

NOTES :

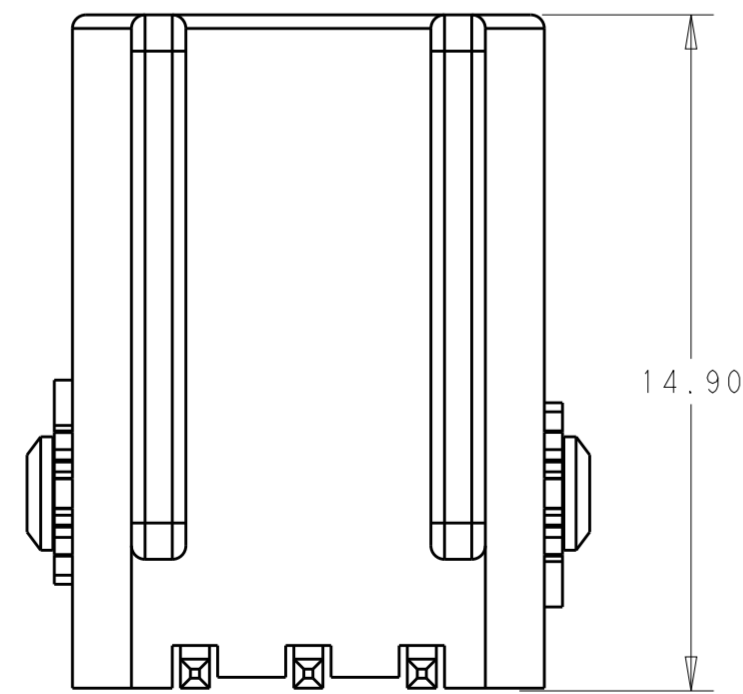
- MATERIALS AND FINISH:
 - HOUSING: LCP
 - CONTACTS: COPPER ALLOY, FINISH: TIN OVER NICKEL UNDERPLATE
- MUST COMPLY WITH DIRECTIVE 2002/95/EC (ROHS)
- PACKAGED IN TRAY



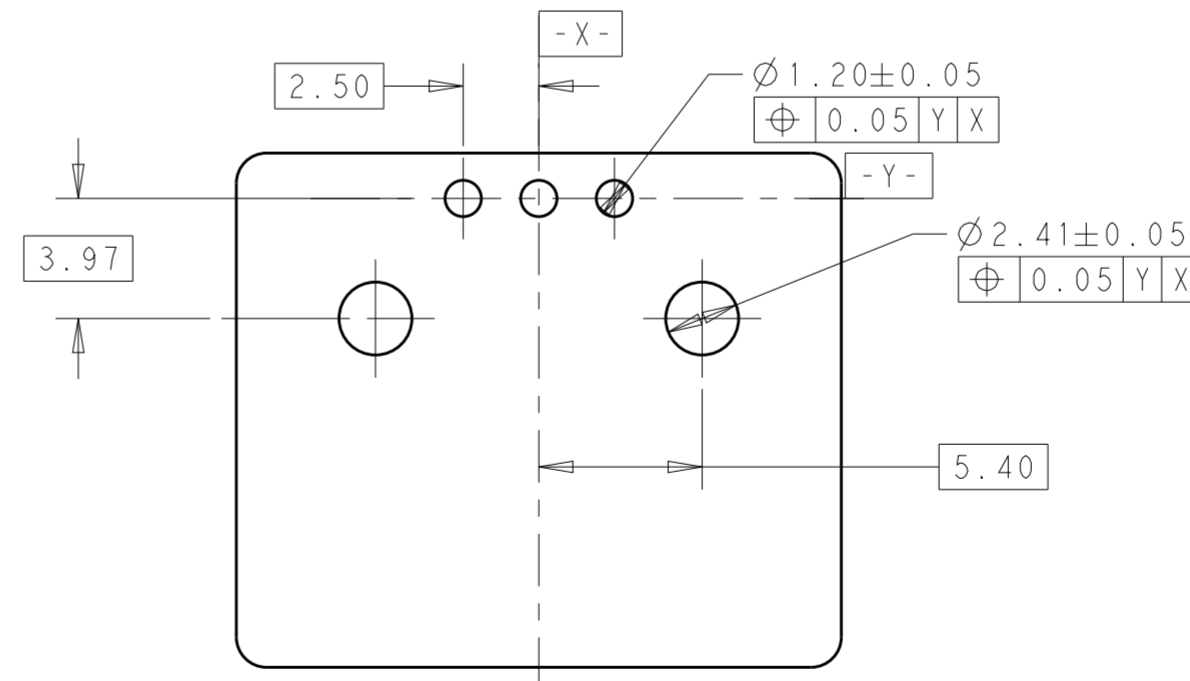
3P: *-2834238-1



2P: *-2834238-2



SCALE 6:1



PCB LAYOUT
SCALE 4:1

WHITE	5-2834238-2	2P
GRAY	4-2834238-2	
RED	3-2834238-2	
BLACK	2-2834238-2	3P
NATURAL	1-2834238-2	
WHITE	5-2834238-1	
GRAY	4-2834238-1	
RED	3-2834238-1	3P
BLACK	2-2834238-1	
NATURAL	1-2834238-1	
COLOR	PART NO	POSITION

THIS DRAWING IS A CONTROLLED DOCUMENT.		DWN GEORGE FU 16OCT2017	STE TE Connectivity	
DIMENSIONS: mm		CHK GEORGE FU 16OCT2017		
TOLERANCES UNLESS OTHERWISE SPECIFIED:		APVD SHI MING 16OCT2017	NAME 2.5mm PITCH RA TH WtoB CONN.	
0 PLC ±		PRODUCT SPEC 108-137266	SIZE A2	
1 PLC ±0.20		APPLICATION SPEC 114-137266	CAGE CODE -	
2 PLC ±0.15		WEIGHT -	DRAWING NO C-2834238	
3 PLC ±		CUSTOMER DRAWING	RESTRICTED TO	
4 PLC ±			SCALE 4:1 SHEET 1 OF 1 REV A2	
ANGLES ±				
FINISH				
NOTE1				