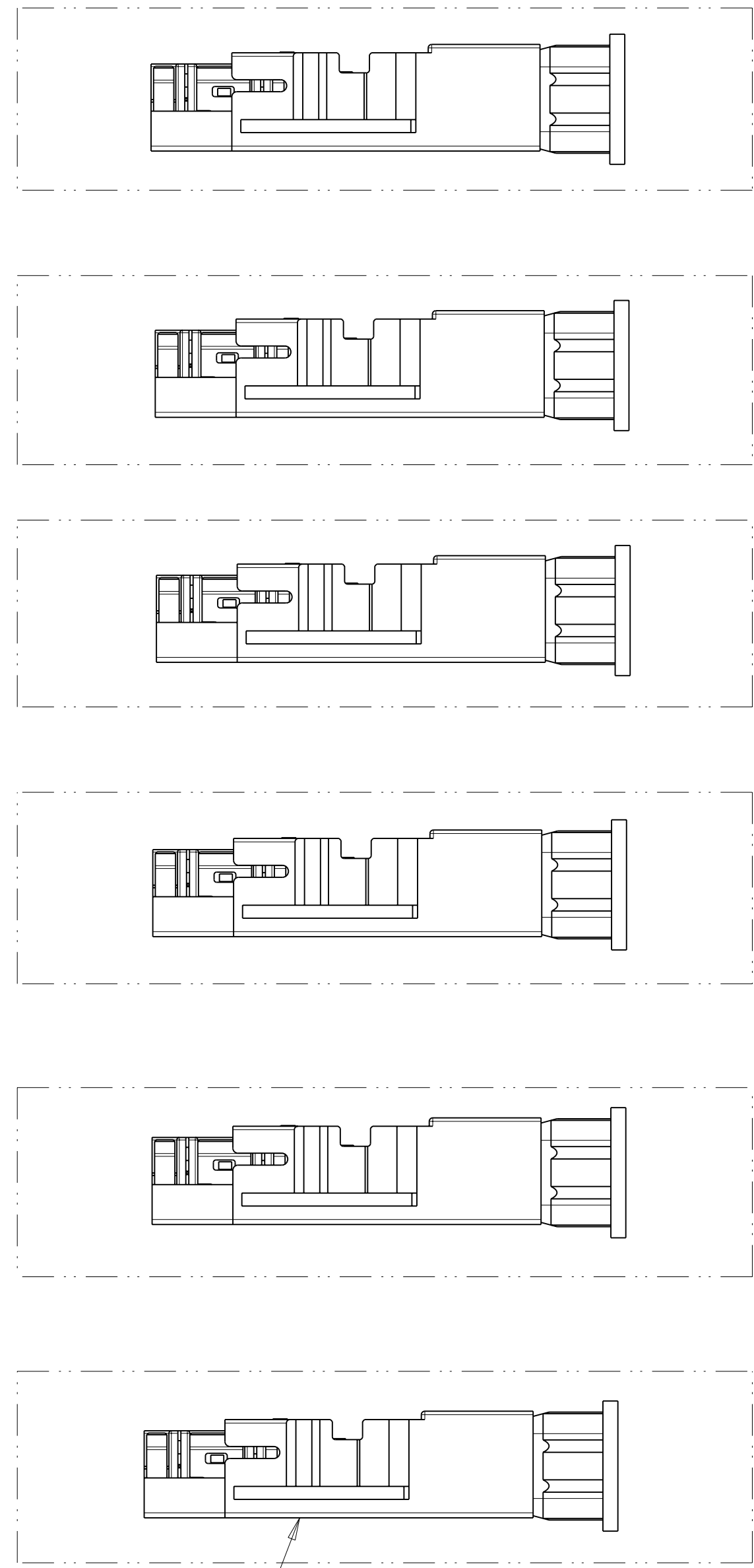
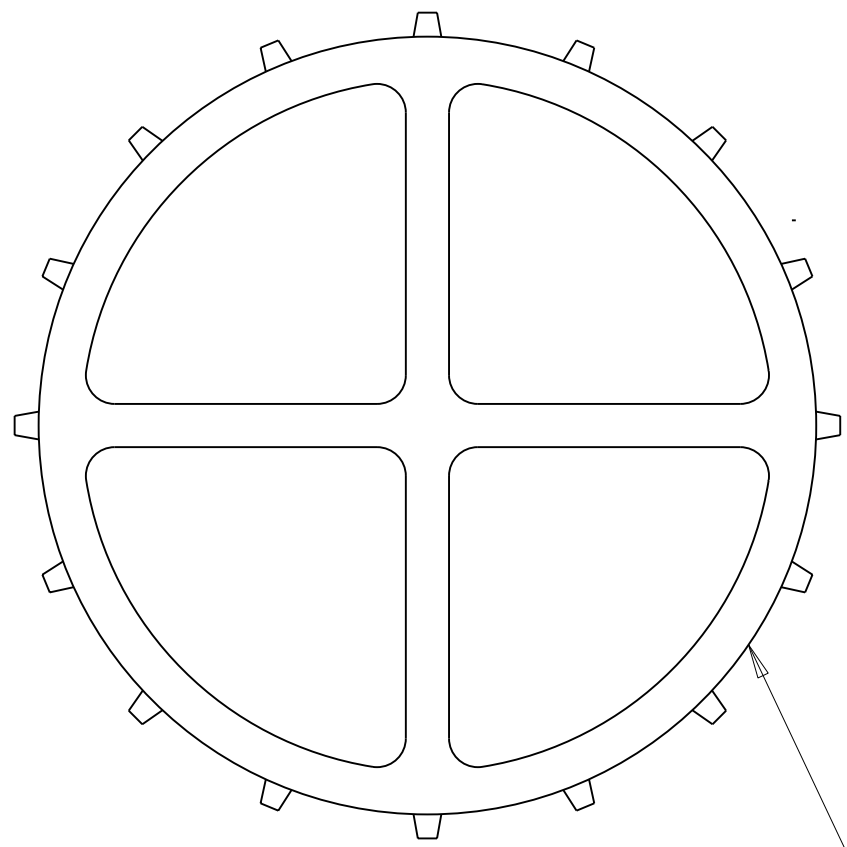


THIS DRAWING IS UNPUBLISHED. RELEASED FOR PUBLICATION .19
 © COPYRIGHT 19 BY AMP INCORPORATED. ALL RIGHTS RESERVED.

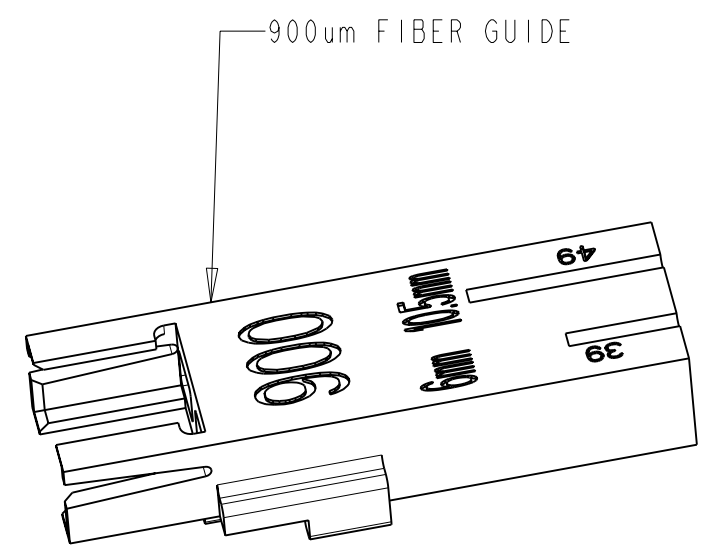
LOC		DIST		REVISIONS			
P	LTR	DESCRIPTION	DATE	DWN	APVD		
	A	REV PER ECR-06-003731	16FEB2006	BB	DK		



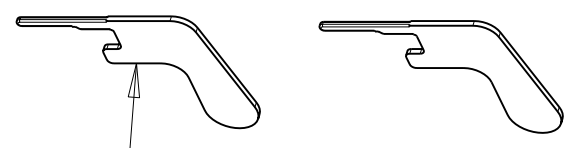
MT-RJ SECURE JACK MODULE ASSEMBLY



ICON WHEEL



900um FIBER GUIDE



MT-RJ ACTUATION KEY

SLATE (K10)	1-6588879-0
ORANGE (K9)	6588879-9
VIOLET (K8)	6588879-8
BROWN (K7)	6588879-7
AQUA (K6)	6588879-6
ROSE (K5)	6588879-5
BLUE (K4)	6588879-4
GREEN (K3)	6588879-3
YELLOW (K2)	6588879-2
RED (K1)	6588879-1
DESCRIPTION	PART NUMBER

<small>THIS DRAWING IS A CONTROLLED DOCUMENT FOR AMP INCORPORATED. IT IS SUBJECT TO CHANGE AND THE CONTROLLING ENGINEERING ORGANIZATION SHOULD BE CONTACTED FOR THE LATEST REVISION.</small>		DWN B. BRIGGS 01NOV2005 CHR D. KIRSCH 01NOV2005 APVD S. BUCHTER 07NOV2005	AMP AMP Incorporated Harrisburg, PA 17105-3608
DIMENSIONS: mm 	TOLERANCES UNLESS OTHERWISE SPECIFIED: 0 PLC ± 1 PLC ± 2 PLC ± 3 PLC ± 4 PLC ± ANGLES ± FINISH -	PRODUCT SPEC - APPLICATION SPEC - WEIGHT -	NAME MT-RJ SECURE JACK KIT, 6-PACK, 50/125, 900um SIZE A2 CAGE CODE 00779 DRAWING NO. C-6588879 SCALE NTS SHEET 1 OF 1 REV A
MATERIAL -			CUSTOMER DRAWING