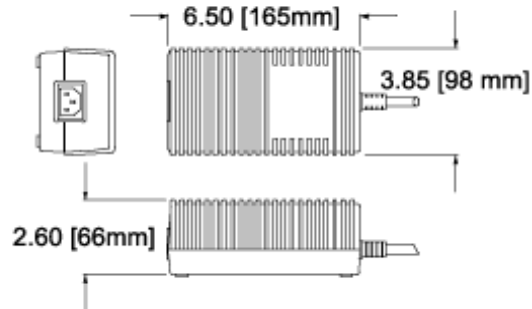


FW72 Series**72 Watt AC Adapter****Features**

Wide range AC input
Fully enclosed plastic case
Fully regulated output
High efficiency
Warranty: 5 years

Environmental

Operating temperature..... 0°C to 40°C
Storage temperature..... -55°C to 85°C
Weight: 2.5 lbs.

EMI

Meets FCC class B, CISPR 22 class B

Safety

CSA Certified to CSA 950
NRTL/C : UL 1950, CSA 950
CE-Marked

Polarity	1	2	3	4	5
	Com	Com	+V	Com	+V

**Electrical specifications****Input**

Voltage 100-240VAC
Current 2.0 Amp @ 100VAC
Frequency 47 – 63 Hz
AC Cord Optional
Input connector 3 Pin IEC 320 input receptacle

Output

Line regulation TYP +/- 1%
Load regulation TYP +/- 5%
Set point +/- 3% at 60% load
Hold up time 20ms minimum at full load 115VAC
Over voltage protection Built-in
Over current protection Built-in
Short circuit protection Pulsing Mode, auto recovery
Efficiency 80% minimum at full load and 115 VAC
Transient response 2ms for 50% load change typical
Ripple/noise (V_{P-P}) +/- 1% (20 MHz bandwidth)
Output connector 5 pin DIN

Output Electrical Specifications

Model No.	Voltage	Power	Current
FW6012-D5	12V	60W	5.0A
FW6024-D5	24V	60W	2.5A
FW7212-D5	12V	72W	6.0A
FW7224-D5	24V	72W	3.0A