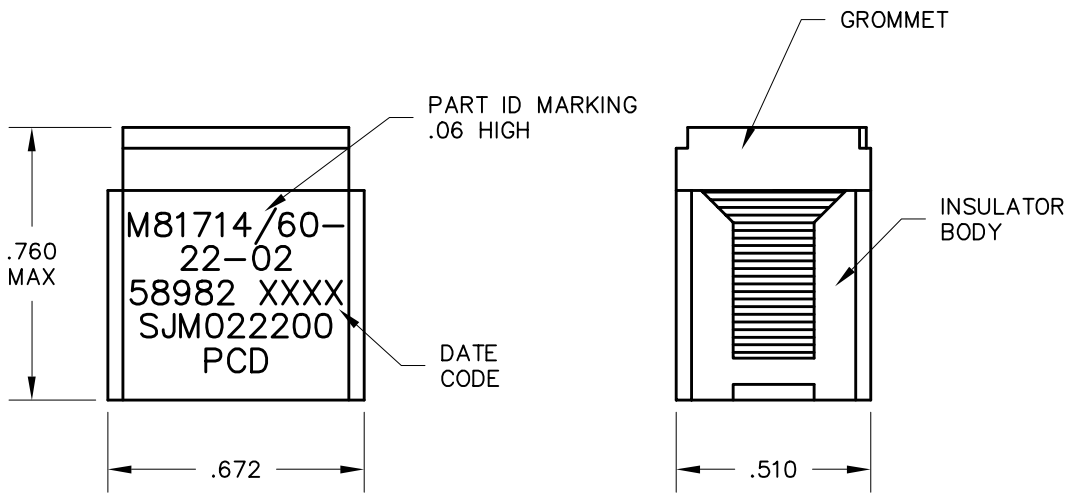
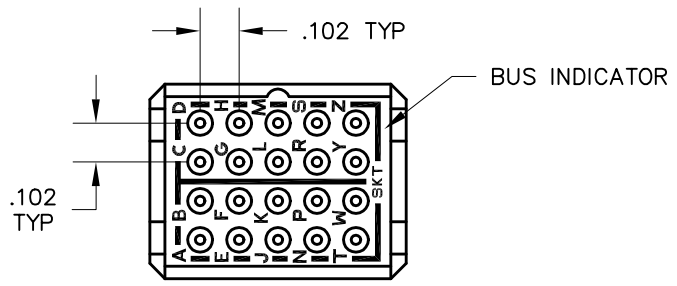


REV	ECN	APP'D
H	3963	JC 4/25/00
J	4127	



- NOTES:
- MATERIALS:  
 BODY: POLYETHERIMIDE PER MIL-P-46184.  
 GROMMET: SILICONE BLEND ELASTOMER.  
 CONTACT RETAINERS: BERYLLIUM COPPER.  
 INTERNAL PIN CONTACTS: COPPER ALLOY,  
 HARD GOLD PLATE  
 PER MIL-G-45204.
  - PERFORMANCE SPECIFICATIONS:  
 OPERATING TEMP: -65° TO 200°C  
 INSULATION RESISTANCE: 5000 MEGOHMS MIN @ 25°C  
 DIELECTRIC WITHSTANDING VOLTAGE:  
 1500 VRMS AT SEA LEVEL  
 AND 200 VRMS AT 110,000 FT. ALTITUDE.  
 CURRENT RATING: 5 AMPS  
 VIBRATION AND SHOCK: PER MIL-T-81714,  
 PARAGRAPH 3.5.5 AND 3.5.8.
  - MODULE SUPPLIED WITH 21 SOCKET CONTACTS PER  
 M39029/22-191 AND TWO (2) MS27488-22 SEALING  
 PLUGS.

DIMENSIONS ANSI Y14.5M UNITS: INCHES ACAD FILE	TOLERANCES .XX ± .XXX ±.010 ANGLES ±2°	PROJECTION 	<b>SPECIFICATION DRAWING</b>			TITLE <b>SOCKET JUNCTION MODULE          SIZE 22 - 2-BUS          M81714/60-22-02</b>	
			ENGR A. PATRIE 4/19/00			SIZE A	DWG NO. <b>SJM022200</b>
ORIGINAL	THIS DOCUMENT CONTAINS PROPRIETARY INFORMATION WHICH IS THE CONFIDENTIAL PROPERTY OF PCD, INC. PEABODY, MA, USA		CHKD J. TON 4/24/00		CODE: 58982		
			APPD J. CAHALY 4/25/00				