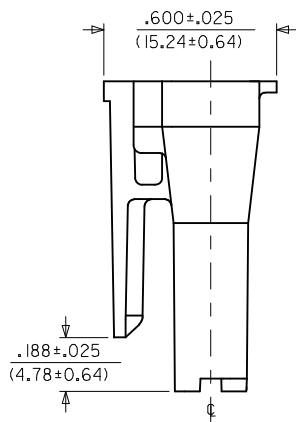
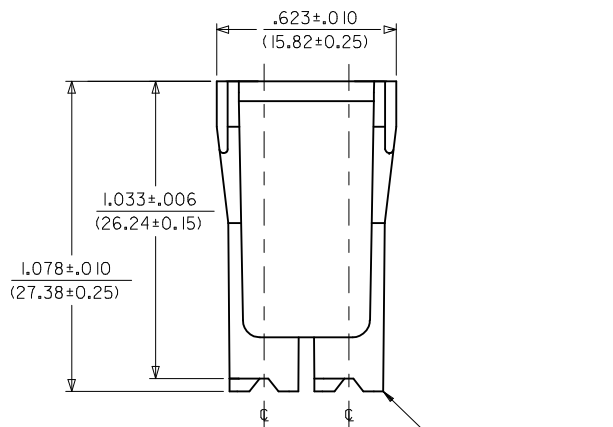


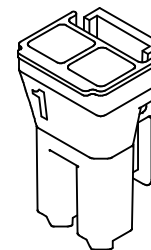
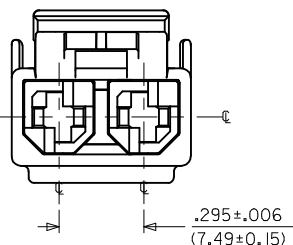
NOTES:

1. MATERIAL: SEE CHART.
2. THIS CONNECTOR HOUSING FOR USE WITH 171825 TERMINALS.
3. THE CONNECTOR HOUSING WILL MATE TO 172042, 172043, 172673, & 43680.
4. PRODUCT SPECIFICATION: PS-171825-001.
5. PACKAGING: PK-44441-001.
6. PARTS CONFORM TO CLASS 'B' REQUIREMENTS OF COSMETIC SPECIFICATION PS-45499-002 BUT, MEETS CLASS 'C' REQUIREMENTS FOR BUBBLES, SINK AND DISCOLORATION.
7. MOLDED IN SERIES NO. MAY BE 172672 OR 44441.

ITEM NUMBER	MATERIAL	COLOR
172672-2002	UL94V-0 NYLON	BLACK
172672-3002	UL94V-2 NYLON, IEC 60335-1 GLOW WIRE CAPABLE	BLACK



CIRCUIT 1



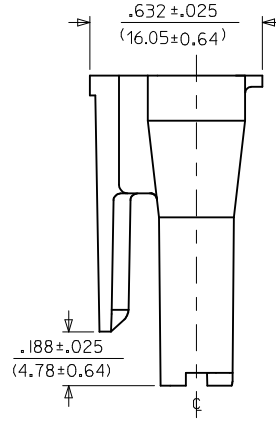
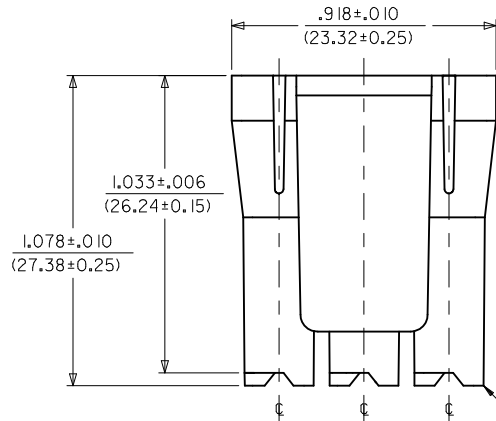
172672-*002
(NO SCALE)

8 CKT TOLERANCE EC NO: UCP2015-4773 DRWN: JDFOX 2015/05/13 CHKD: BANDERSON 2015/05/13 APPR: FSMITH 2015/05/21	QUALITY SYMBOLS 	GENERAL TOLERANCES (UNLESS SPECIFIED)		DIMENSION STYLE IN/MM		SCALE 3:1	DESIGN UNITS INCH	THIRD ANGLE PROJECTION		
		4 PLACES	± ---	± ---	DRAWN BY	DATE	TITLE SUPER-SABRE RECEPTACLE HOUSING			
		3 PLACES	± ---	± .010	JDFOX	2014/07/25				
		2 PLACES	± 0.25	± .014	CHECKED BY	DATE	DOCUMENT NO. SD-172672-001			
1 PLACE	± 0.35	± ---	BANDERSON	2014/07/25						
0 PLACE	± ---	± ---	APPROVED BY	DATE	SHEET NO. 1 OF 6					
ANGULAR ±1/2°		MATERIAL NO. SEE CHART		SIZE C					THIS DRAWING CONTAINS INFORMATION THAT IS PROPRIETARY TO MOLEX INCORPORATED AND SHOULD NOT BE USED WITHOUT WRITTEN PERMISSION	
DRAFT WHERE APPLICABLE MUST REMAIN WITHIN DIMENSIONS										

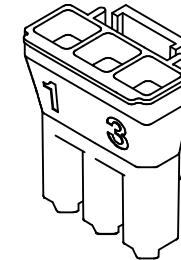
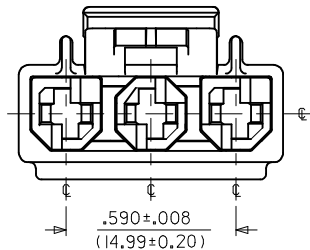
NOTES:

1. MATERIAL: SEE CHART.
2. THIS CONNECTOR HOUSING FOR USE WITH 171825 TERMINALS.
3. THE CONNECTOR HOUSING WILL MATE TO 172042, 172043, 172673, & 43680.
4. PRODUCT SPECIFICATION: PS-171825-001.
5. PACKAGING: PK-44441-001.
6. PARTS CONFORM TO CLASS 'B' REQUIREMENTS OF COSMETIC SPECIFICATION PS-45499-002 BUT, MEETS CLASS 'C' REQUIREMENTS FOR BUBBLES, SINK AND DISCOLORATION.
7. MOLDED IN SERIES NO. MAY BE 172672 OR 44441.

ITEM NUMBER	MATERIAL	COLOR
172672-2003	UL94V-0 NYLON	BLACK
172672-3003	UL94V-2 NYLON IEC 60335-1 GLOW WIRE CAPABLE	BLACK



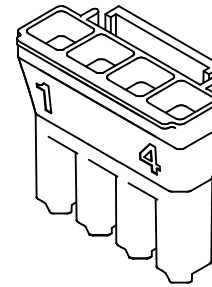
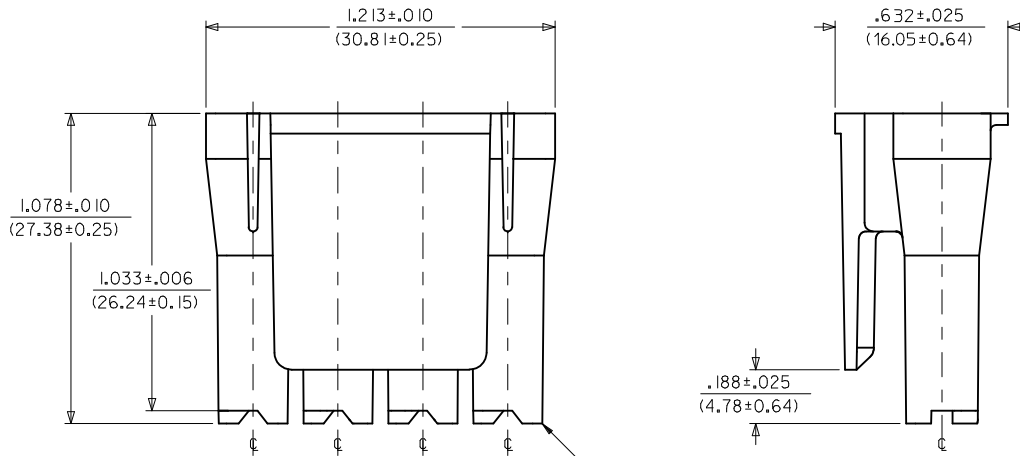
CIRCUIT 1



172672-x003
(NO SCALE)

SEE SHEET 1 EC NO: UCP2015-4773 DRWN:JDOX 2015/05/13 CHKD:ANDERSON 2015/05/13 APPR:FSMITH 2015/05/21	QUALITY SYMBOLS ▽=0 ▽=0 ▽=0	GENERAL TOLERANCES (UNLESS SPECIFIED)		DIMENSION STYLE IN/MM	SCALE 3:1	DESIGN UNITS INCH	THIRD ANGLE PROJECTION	
		4 PLACES ± --- ± ---	3 PLACES ± --- ± .010	DRAWN BY JDOX	DATE 2014/07/25	SUPER-SABRE RECEPTACLE HOUSING		
		2 PLACES ± 0.25 ± .014	1 PLACE ± 0.35 ± ---	CHECKED BY BANDERSON	DATE 2014/07/25			
		0 PLACE ± --- ± ---	ANGULAR ±1/2°		APPROVED BY FSMITH	DATE 2014/07/31	molex	
A3	REV	DRAFT WHERE APPLICABLE MUST REMAIN WITHIN DIMENSIONS		MATERIAL NO. SEE CHART	DOCUMENT NO. SD-172672-001	SHEET NO. 2 OF 6		
THIS DRAWING CONTAINS INFORMATION THAT IS PROPRIETARY TO MOLEX INCORPORATED AND SHOULD NOT BE USED WITHOUT WRITTEN PERMISSION								

ITEM NO	MATERIAL	COLOUR
172672-2004	UL94V-0 NYLON	BLACK
172672-3004	UL94V-2 NYLON IEC 60335-1 GLOW WIRE CAPABLE	BLACK



172672-1004
(NO SCALE)

CIRCUIT 1

NOTES:

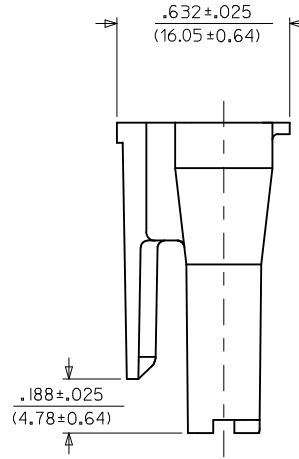
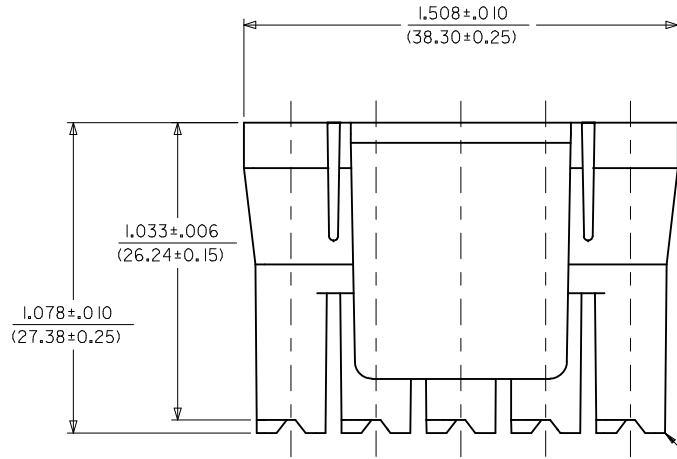
1. MATERIAL: SEE CHART.
2. THIS CONNECTOR HOUSING FOR USE WITH 171825 TERMINALS.
3. THE CONNECTOR HOUSING WILL MATE TO 172042, 172043, 172673, & 43680.
4. PRODUCT SPECIFICATION: PS-171825-001.
5. PACKAGING: PK-44441-001.
6. PART CONFORMS TO CLASS 'B' REQUIREMENTS OF COSMETIC SPECIFICATION PS-45499-002 BUT, MEETS CLASS 'C' REQUIREMENTS FOR BUBBLES, SINK AND DISCOLORATION.
7. MOLDED IN SERIES NO. MAY BE 172672 OR 44441.

SEE SHEET 1 IEC NO: UCP2015-4773 DRWN: JDOX 2015/05/13 CHKD: BANDERSON 2015/05/13 APPR: FSMITH 2015/05/21	QUALITY SYMBOLS 	GENERAL TOLERANCES (UNLESS SPECIFIED)		DIMENSION STYLE		SCALE	DESIGN UNITS	THIRD ANGLE PROJECTION
				IN/MM		3:1	INCH	
				DRAWN BY	DATE	TITLE		
				CHECKED BY	DATE	SUPER-SABRE RECEPTACLE HOUSING		
A3	REV	ANGULAR ±1/2°		MATERIAL NO.		DOCUMENT NO.		SHEET NO. 3 OF 6
		DRAFT WHERE APPLICABLE MUST REMAIN WITHIN DIMENSIONS		SEE CHART		SD-172672-001		
				SIZE		THIS DRAWING CONTAINS INFORMATION THAT IS PROPRIETARY TO MOLEX INCORPORATED AND SHOULD NOT BE USED WITHOUT WRITTEN PERMISSION		
				C				

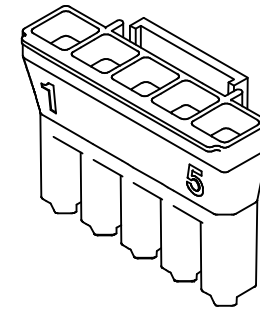
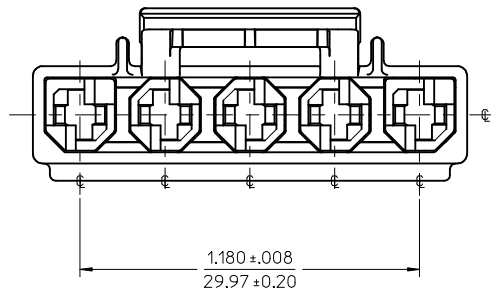
NOTES:

1. MATERIAL: SEE CHART.
2. THIS CONNECTOR HOUSING FOR USE WITH 171825 TERMINALS.
3. THE CONNECTOR HOUSING WILL MATE TO 172042, 172043, 172673, & 43680.
4. PRODUCT SPECIFICATION: PS-171825-001.
5. PACKAGING: PK-44441-001.
6. PARTS CONFORM TO CLASS 'B' REQUIREMENTS OF COSMETIC SPECIFICATION PS-45499-002 BUT, MEETS CLASS 'C' REQUIREMENTS FOR BUBBLES, SINK AND DISCOLORATION.
7. MOLDED IN SERIES NO. MAY BE 172672 OR 44441.

ITEM NUMBER	MATERIAL	COLOR
172672-2005	NYLON, UL94V-0,	BLACK
172672-3005	NYLON, UL94V-2 IEC 60335-1 GLOW WIRE CAPABLE	BLACK



CIRCUIT 1



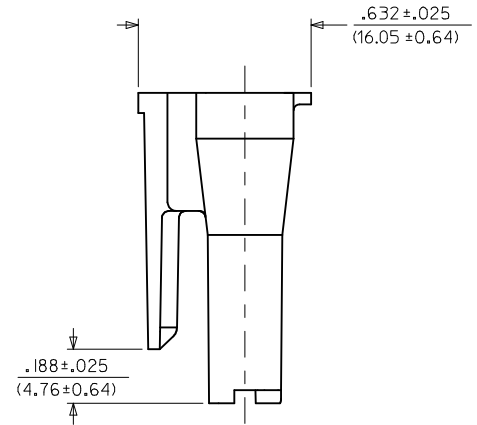
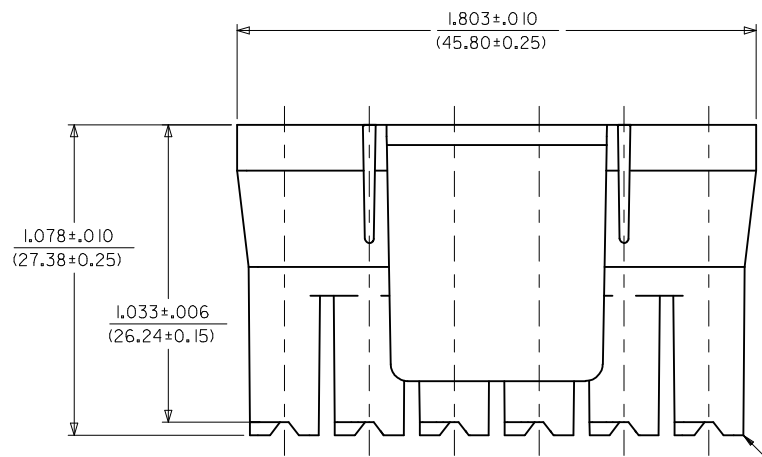
172672-*005
(NO SCALE)

SEE SHEET 1 EC NO: UCP2015-4773 DRWN: JDOX 2015/05/13 CHKD: BANDERSON 2015/05/13 APPR: FSMITH 2015/05/21	QUALITY SYMBOLS	GENERAL TOLERANCES (UNLESS SPECIFIED)		DIMENSION STYLE IN/MM		SCALE 3:1	DESIGN UNITS INCH	THIRD ANGLE PROJECTION	
	▽=0	4 PLACES ± ---	± ---	DRAWN BY JDOX	DATE 2014/07/25	SUPER-SABRE RECEPTACLE HOUSING			
	▽=0	3 PLACES ± ---	± .010	CHECKED BY BANDERSON	DATE 2014/07/25				
	▽=0	2 PLACES ± 0.25	± .014	APPROVED BY FSMITH	DATE 2014/07/31	molex DOCUMENT NO. SD-172672-001 SHEET NO. 4 OF 6			
▽=0	1 PLACE ± 0.35	± ---	MATERIAL NO. SEE CHART						
REV A3	DESCRIPTION	ANGULAR ±1/2°		SIZE C		DRAFT WHERE APPLICABLE MUST REMAIN WITHIN DIMENSIONS THIS DRAWING CONTAINS INFORMATION THAT IS PROPRIETARY TO MOLEX INCORPORATED AND SHOULD NOT BE USED WITHOUT WRITTEN PERMISSION			

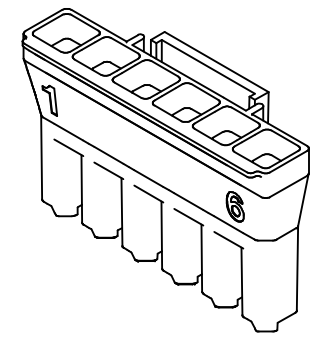
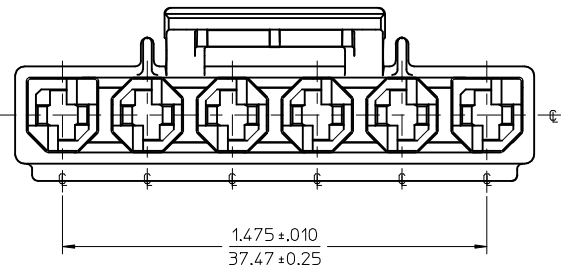
ITEM NO	MATERIAL	COLOUR
172672-2006	UL94V-0 NYLON	BLACK
172672-3006	UL94V-2 NYLON IEC 60335-1 GLOW WIRE CAPABLE	BLACK

NOTES:

1. MATERIAL: SEE CHART.
2. THIS CONNECTOR HOUSING FOR USE WITH 171825 TERMINALS.
3. THE CONNECTOR HOUSING WILL MATE TO 172042, 172043, 172673, & 43680.
4. PRODUCT SPECIFICATION: PS-171825-001.
5. PACKAGING: PK-44441-001.
6. PART CONFORMS TO CLASS 'B' REQUIREMENTS OF COSMETIC SPECIFICATION PS-45499-002 BUT, MEETS CLASS 'C' REQUIREMENTS FOR BUBBLES, SINK AND DISCOLORATION.
7. MOLDED IN SERIES NO. MAY BE 172672 OR 44441.



CIRCUIT 1

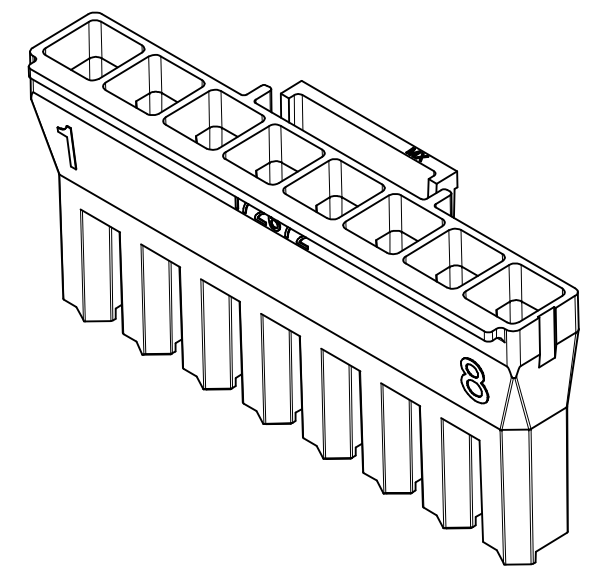
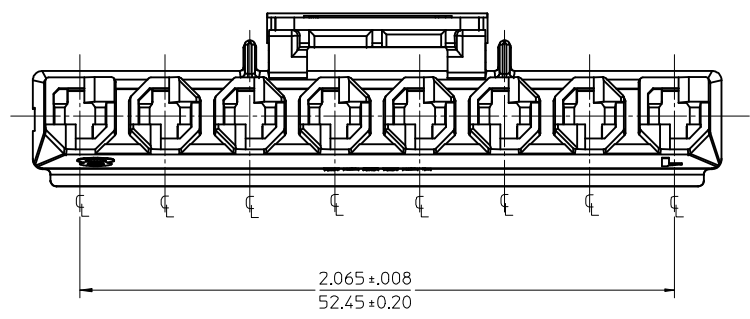
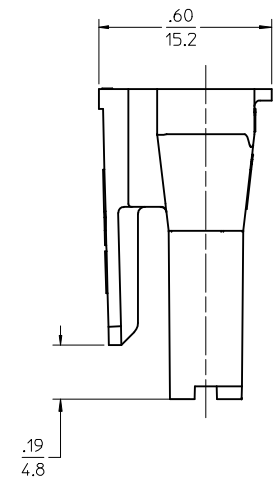
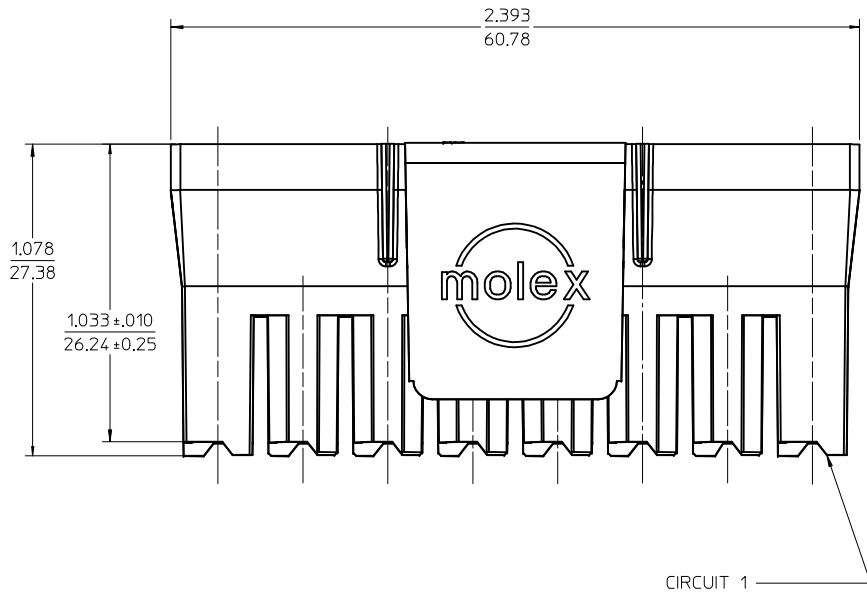


SEE SHEET 1 IEC NO: UCP2015-4773 DRWN: JDFOX CHKD: BANDERSON APPR: FSMITH	2015/05/13 2015/05/13 2015/05/21	DESCRIPTION REV	QUALITY SYMBOLS	GENERAL TOLERANCES (UNLESS SPECIFIED)	DIMENSION STYLE	SCALE	DESIGN UNITS	THIRD ANGLE PROJECTION
			▽=0	mm INCH	IN/MM	3:1	INCH	TITLE SUPER-SABRE RECEPTACLE HOUSING molex DOCUMENT NO. SD-172672-001 SHEET NO. 5 OF 6
			▽=0	4 PLACES ± --- ± ---	DRAWN BY DATE	TITLE SUPER-SABRE RECEPTACLE HOUSING		
			▽=0	3 PLACES ± --- ±.010	CHECKED BY DATE			
▽=0	2 PLACES ± 0.25 ±.014	BANDERSON 2014/07/25						
			1 PLACE ± 0.35 ± ---	APPROVED BY DATE				
			0 PLACE ± --- ± ---	FSMITH 2014/07/31				
			ANGULAR ±1/2°	MATERIAL NO.				
			DRAFT WHERE APPLICABLE MUST REMAIN WITHIN DIMENSIONS	SIZE	SEE CHART			

ITEM NUMBER	MATERIAL	COLOR
172672-2008	UL94V-0 NYLON	BLACK
172672-3008	UL94V-2 NYLON, IEC 60335-1 GLOW WIRE CAPABLE	BLACK

NOTES:

1. MATERIAL: SEE CHART
2. FINISH: NONE
3. PRODUCT SPECIFICATION: PS-171825-001.
4. PACKAGING: PK-44441-001.
5. THIS CONNECTOR HOUSING FOR USE WITH 171825 SERIES TERMINALS.
6. THIS CONNECTOR MATES TO 172042, & 172043.
7. PART CONFORMS TO CLASS 'B' REQUIREMENTS OF COSMETIC SPECIFICATION PS-45499-002 BUT, MEETS CLASS 'C' REQUIREMENTS FOR BUBBLES, SINK AND DISCOLORATION.
8. MOLDED IN SERIES NO. MAY BE 172672 OR 44441.



SEE SHEET 1 IEC NO: UCP2015-4773 DRWN: JDFOX CHKD: BANDERSON APPR: FSMITH	2015/05/13 2015/05/13 2015/05/21	QUALITY SYMBOLS	GENERAL TOLERANCES (UNLESS SPECIFIED)	DIMENSION STYLE	SCALE	DESIGN UNITS	THIRD ANGLE PROJECTION
		▽=0	mm INCH	IN/MM	3:1	INCH	SUPER-SABRE RECEPTACLE HOUSING molex DOCUMENT NO. SD-172672-001 SHEET NO. 6 OF 6
		▽=0	4 PLACES ± --- ± ---	DRAWN BY DATE	TITLE JDFOX 2014/07/25 CHECKED BY DATE BANDERSON 2014/07/25 APPROVED BY DATE FSMITH 2014/07/31		
		▽=0	3 PLACES ± --- ± .010	ANGULAR ±1/2°			
REV	2 PLACES ± 0.25 ± .014	DRAFT WHERE APPLICABLE MUST REMAIN WITHIN DIMENSIONS					