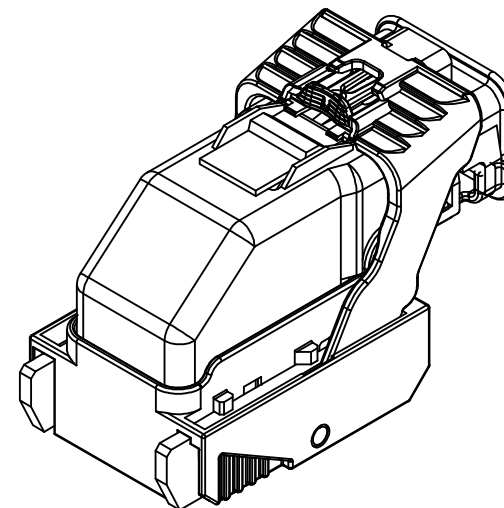


INDEX

	PAGE TITLE	PAGE
	TITLE BLOCK	1
L	PART BLOCK	2
	KPC BLOCK	3
	COMPONENT TABLE	4
K	NOTES	5
	NOTES	6
	WIRE DRESS PACKAGING DIMENSIONS	7
J	LOCATION AND PACKAGING DIMENSIONS REFERENCING INTERFACE DATUMS B & C	8
	LOCATION AND PACKAGING DIMENSIONS REFERENCING INTERFACE DATUM A	9
I	KEY ID REF - WIRE DRESS OPTION 0	10
	KEY ID REF - WIRE DRESS OPTION 9	11
	CIRCUIT CONFIGURATIONS	12
H	CIRCUIT CONFIGURATIONS	13
	COMPONENT CONNECTOR INTERFACE	14
	COMPONENT CONNECTOR INTERFACE	15
	COMPONENT CONNECTOR INTERFACE	16
G	COMPONENT CONNECTOR INTERFACE	17
	COMPONENT CONNECTOR INTERFACE	18
	COMPONENT CONNECTOR INTERFACE	19
F	COMPONENT CONNECTOR INTERFACE	20
	COMPONENT CONNECTOR INTERFACE	21
	ADDITIONAL COMPONENTS REQUIRED	22




MX123 HARNESS CONN - SEALED  
18/49/56 CKTS

ENTER DESCRIPTION IEC NO: UAU2017-0870 DRAWN IN ITALIA 2017/03/27 CHKD: APPR:VKOSHY 2017/03/29 REV:	QUALITY SYMBOLS	GENERAL TOLERANCES (UNLESS SPECIFIED)	DIMENSION STYLE	SCALE	DESIGN UNITS	THIRD ANGLE PROJECTION
	▽=0	4 PLACES ±--- ±---	MM ONLY	1:1	METRIC	
	▽=0	3 PLACES ±--- ±---				
	▽=0	2 PLACES ±0.13 ±---				
		1 PLACE ±0.25 ±---				
		0 PLACE ±--- ±---				
		ANGULAR ± 1 °				
		DRAFT WHERE APPLICABLE MUST REMAIN WITHIN DIMENSIONS	SEE BOM TABLE			
			MATERIAL NO.	DOCUMENT NO.		SHEET NO.
				SD-34576-0001		1 OF 22
			THIS DRAWING CONTAINS INFORMATION THAT IS PROPRIETARY TO MOLEX INCORPORATED AND SHOULD NOT BE USED WITHOUT WRITTEN PERMISSION			

22	RD	A	C	001		0.000	YAZAKI: 7158-3114-90	2.8MM CAVITY PLUG
21	RD	A		001		0.000	PLUG-WRG HARN CONN MX0.64	
20	RD	A		001		0.000	TERM-AG 0.5MM/0.75MM ISO,MX64	
19	RD	A		001		0.000	TERM-AG 0.35MM ISO,MX64	
18	RD	A	C	006		0.009	WIRE HARNESS COVER	18/49/56 WAY
17	RD	A	2	001		0.041	HARN CONN ASM 56 CKT	KEY J OPTION 9
16	RD	A	2	001		0.041	HARN CONN ASM 56 CKT	KEY H OPTION 9
15	RD	A	2	001		0.041	HARN CONN ASM 56 CKT	KEY G OPTION 9
14	RD	A	2	001		0.041	HARN CONN ASM 56 CKT	KEY J OPTION 0
13	RD	A	2	001		0.041	HARN CONN ASM 56 CKT	KEY H OPTION 0
12	RD	A	2	001		0.041	HARN CONN ASM 56 CKT	KEY G OPTION 0
11	RD	A	2	001		0.040	HARN CONN ASM 49 CKT	KEY C OPTION 9
10	RD	A	2	001		0.040	HARN CONN ASM 49 CKT	KEY B OPTION 9
09	RD	A	2	001		0.040	HARN CONN ASM 49 CKT	KEY A OPTION 9
08	RD	A	2	001		0.040	HARN CONN ASM 49 CKT	KEY C OPTION 0
07	RD	A	2	001		0.040	HARN CONN ASM 49 CKT	KEY B OPTION 0
06	RD	A	2	001		0.040	HARN CONN ASM 49 CKT	KEY A OPTION 0
05	RD	A	2	001		0.044	HARN CONN ASM 18 CKT	KEY H OPTION 9
04	RD	A	2	001		0.044	HARN CONN ASM 18 CKT	KEY G OPTION 9
03	RD	A	2	001		0.044	HARN CONN ASM 18 CKT	KEY H OPTION 0
02	RD	A	2	001		0.044	HARN CONN ASM 18 CKT	KEY G OPTION 0
01	RD	A		001		1.285	HARNNESS CONN ASM-SEALED 18/49/56CKTS,MX123	
							DRAWING	
DWG ITM	DWG RLTN SHIP	D L S	ST	REV	P D I	MASS (KG)	PART NAME	NOTES

PARTS SHOWN ON DRAWING

<b>ENTER DESCRIPTION</b> IEC NO: UAU2017-0870 DRAWN: ITALIA 2017/03/27 CHKD: APPR: VKOSHY 2017/03/29 REV:	QUALITY SYMBOLS	GENERAL TOLERANCES (UNLESS SPECIFIED)	DIMENSION STYLE	SCALE	DESIGN UNITS	THIRD ANGLE PROJECTION
	▽=0	mm INCH	MM ONLY	1:1	METRIC	
	▽=0	4 PLACES # --- # ---	DRAWN BY SKRA JENDRANA	DATE 2016/12/15	TITLE ICD - MX123 18/49/56CKT INTERFACE CONNECTION DRW MOLEX	
	▽=0	3 PLACES # --- # ---	CHECKED BY VKOSHY	DATE 2016/12/15		
	2 PLACES # 0.13 # ---	APPROVED BY VKOSHY	DATE 2017/03/03	MATERIAL NO.		
	1 PLACE # 0.25 # ---	ANGULAR ± 1 °	SEE BOM TABLE	SHEET NO. 2 OF 22	THIS DRAWING CONTAINS INFORMATION THAT IS PROPRIETARY TO MOLEX INCORPORATED AND SHOULD NOT BE USED WITHOUT WRITTEN PERMISSION	
	0 PLACE # --- # ---	DRAFT WHERE APPLICABLE MUST REMAIN WITHIN DIMENSIONS				

KEY PRODUCT CHARACTERISTICS  
(IN ACCORDANCE WITH QN 1805 OR ON 1050)



SAFETY/COMPLIANCE

TOTAL ON DRAWING

4



FIT/FUNCTION

LAST NO. USED

4

NO	TYPE	DESCRIPTION	RATIONALE	PAGE/ZONE
1	F/F	32.68	IMPROVE CONNECTOR SYSTEM MATING	15
2	F/F	29.00	INSURE PROPER RELEASE OF LEVER	15
3	F/F	15.25	INSURE FINAL MATE POSITION	16
4	F/F	POSITIONAL TOLERANCE (2 PLACES)	INSURE CONNECTOR SYSTEM MATIBILITY	19

ENTER DESCRIPTION IEC NO: UAU2017-0870 DRAWN: CHITALIA 2017/03/27 CHKD: APPR: VKOSHY 2017/03/29 REV:	QUALITY SYMBOLS	GENERAL TOLERANCES (UNLESS SPECIFIED)	DIMENSION STYLE	SCALE	DESIGN UNITS	THIRD ANGLE PROJECTION	
	▽=0	4 PLACES ± 0.13	MM ONLY	1:1	METRIC	☉	
	▽=0	3 PLACES ± 0.25	mm				
	▽=0	2 PLACES ± 0.25	INCH				
		ANGULAR ± 1°	DRAWN BY	DATE	TITLE		
		DRAFT WHERE APPLICABLE MUST REMAIN WITHIN DIMENSIONS	SKRAJENDRANA	2016/12/15	ICD - MX123 18/49/56CKT INTERFACE CONNECTION DRW		
			CHECKED BY	DATE	MOLEX		
			VKOSHY	2016/12/15			
			APPROVED BY	DATE			
			VKOSHY	2017/03/03			
			MATERIAL NO.	DOCUMENT NO.			
			SEE BOM TABLE	SD-34576-0001			
			SIZE D				
			THIS DRAWING CONTAINS INFORMATION THAT IS PROPRIETARY TO MOLEX INCORPORATED AND SHOULD NOT BE USED WITHOUT WRITTEN PERMISSION				
						SHEET NO. 3 OF 22	

QTY	MFG.	MFG. P/N	DESCRIPTION	Key Option	Wire Dress Option	Key Config.	Color	Status
1	MOLEX	34575-0003	WIRE HARNESS COVER*	N/A	NA	N/A	BLACK	AVAILABLE
2	MOLEX	34851-0007	HARN CONN ASM 18 CKT	G	0	1358	BLUE	ACTIVE
3	MOLEX	34851-0008	HARN CONN ASM 18 CKT	H	0	2458	ST GRAY	ACTIVE
4	MOLEX	34851-0019	HARN CONN ASM 18 CKT	G	9	1358	BLUE	ACTIVE
5	MOLEX	34851-0020	HARN CONN ASM 18 CKT	H	9	2458	ST GRAY	ACTIVE
6	MOLEX	34576-0103	HARN CONN ASM 49 CKT	A	0	1458	BLACK	ACTIVE
7	MOLEX	34576-0203	HARN CONN ASM 49 CKT	B	0	1468	ST GRAY	NOT ACTIVE
8	MOLEX	34576-0303	HARN CONN ASM 49 CKT	C	0	2467	BLUE	ACTIVE
9	MOLEX	34576-1303	HARN CONN ASM 49 CKT	A	9	1458	BLACK	ACTIVE
10	MOLEX	34576-1403	HARN CONN ASM 49 CKT	B	9	1468	ST GRAY	NOT ACTIVE
11	MOLEX	34576-1503	HARN CONN ASM 49 CKT	C	9	2467	BLUE	ACTIVE
12	MOLEX	34576-0703	HARN CONN ASM 56 CKT	G	0	1358	BLUE	AVAILABLE
13	MOLEX	34576-0803	HARN CONN ASM 56 CKT	H	0	2458	ST GRAY	AVAILABLE
14	MOLEX	34576-0903	HARN CONN ASM 56 CKT	J	0	2457	BLACK	NOT ACTIVE
15	MOLEX	34576-1903	HARN CONN ASM 56 CKT	G	9	1358	BLUE	AVAILABLE
16	MOLEX	34576-2003	HARN CONN ASM 56 CKT	H	9	2458	ST GRAY	NOT ACTIVE
17	MOLEX	34576-2103	HARN CONN ASM 56 CKT	J	9	2457	BLACK	NOT ACTIVE
18	MOLEX	34736-0028	MX64 RCPT TERM Ag 0.5mm/0.75mm ISO GA8E B (RIGHT PAYOFF)	N/A	N/A	N/A	N/A	AVAILABLE
19	MOLEX	34736-0026	MX64 RCPT TERM Ag 0.35mm ISO B (RIGHT PAYOFF)	N/A	N/A	N/A	N/A	AVAILABLE
20	MOLEX	34586-0001	MX123 0.64MM GROMMET PLUG	N/A	N/A	N/A	N/A	NATURAL AVAILABLE
21	YAZAKI	7116-4150-02	2.8mm YESC SEALED FEMALE TERMINAL TIN 0.35mm2-0.50mm2	N/A	N/A	N/A	N/A	NOT ACTIVE
22	YAZAKI	7116-4151-02	2.8mm YESC SEALED FEMALE TERMINAL TIN 0.75mm2-1.0mm2	N/A	N/A	N/A	N/A	NOT ACTIVE
23	YAZAKI	7116-4152-02	2.8mm YESC SEALED FEMALE TERMINAL TIN 1.5mm2-2.5mm2	N/A	N/A	N/A	N/A	AVAILABLE
24	YAZAKI	7158-3111-60	2.8mm CABLE SEAL (wire O.D. range 1.2mm-1.9mm)	N/A	N/A	N/A	GREEN	NOT ACTIVE
25	YAZAKI	7158-3112-70	2.8mm CABLE SEAL (wire O.D. range 1.8mm-2.3mm)	N/A	N/A	N/A	YELLOW	NOT ACTIVE
26	YAZAKI	7158-3113-40	2.8mm CABLE SEAL (wire O.D. range 2.1mm-3.0mm)	N/A	N/A	N/A	WHITE	AVAILABLE
27	YAZAKI	7158-3114-90	2.8mm YESC CAVITY PLUG	N/A	N/A	N/A	BLUE	AVAILABLE
28	DELPHI	33140138	6.35mm APEX RCPT TERM Sn/Ag GRIP CODE-10 (6mm2) - GREASED	N/A	N/A	N/A	N/A	AVAILABLE
29	DELPHI	33140135	6.35mm APEX RCPT TERM Sn/Ag GRIP CODE-TBD (1mm2) - GREASED	N/A	N/A	N/A	N/A	AVAILABLE
30	QSR	A-0549C	6.35mm CABLE SEAL (FOR 6.0mm2 WIRE SIZE - 3.6 TO 4.2mm INSULATION OD)	N/A	N/A	N/A	WHITE	AVAILABLE
31	QSR	A-0549B	6.35mm CABLE SEAL (FOR 0.75-1.25mm2 WIRE SIZE - 1.8 TO 2.3mm INSULATION OD)	N/A	N/A	N/A	BLUE	AVAILABLE
32	MOLEX	63825-8400	MX64 TERM HAND CRIMP TOOL	N/A	N/A	N/A	N/A	AVAILABLE
33	MOLEX	63813-1400	MX64 TERM SERVICE TOOL	N/A	N/A	N/A	N/A	AVAILABLE
34	MOLEX	63902-5300	MX64 CRIMP APPLICATOR with TOOL KIT 0.5/0.75mm2 PAYOFF DIRECTION D (left payoff) (contact Molex for payoff detail)	N/A	N/A	N/A	N/A	AVAILABLE
35	MOLEX	63902-5370	MX64 APPLICATOR TOOL KIT 0.5/0.75mm2	N/A	N/A	N/A	N/A	AVAILABLE
36	MOLEX	63902-5100	MX64 CRIMP APPLICATOR with TOOL KIT 0.35mm2 PAYOFF DIRECTION D (left payoff) (contact Molex for payoff detail)	N/A	N/A	N/A	N/A	AVAILABLE
37	MOLEX	63902-5170	MX64 APPLICATOR TOOL KIT 0.35mm2	N/A	N/A	N/A	N/A	AVAILABLE
38	SPX	J35616-64	0.64mm PROBE TOOL (for rcpt)	N/A	N/A	N/A	N/A	AVAILABLE
39	SPX	J35616-64A	0.64mm PROBE TOOL WITH EXT (for rcpt)	N/A	N/A	N/A	N/A	AVAILABLE
40	SPX	J35616-65	0.64mm PROBE TOOL WITH EXT (for pin)	N/A	N/A	N/A	N/A	AVAILABLE
41	SPX	J35616-4A	2.8mm PROBE TOOL (for rcpt)	N/A	N/A	N/A	N/A	AVAILABLE
42	YAZAKI	X39899-J374	2.8mm TERM SERVICE TOOL	N/A	N/A	N/A	N/A	AVAILABLE
43	TOI	7000-1001	18CKT PASS THROUGH ADAPTERS	N/A	N/A	N/A	BLACK	AVAILABLE
44	TOI	7000-1004	49CKT PASS THROUGH ADAPTERS	N/A	N/A	N/A	BLACK	AVAILABLE
45	TOI	79917-0060	56CKT PASS THROUGH ADAPTERS	N/A	N/A	N/A	BLACK	AVAILABLE
46	MOLEX	63813-1500	6.35mm APEX TERM SERVICE TOOL	N/A	N/A	N/A	N/A	AVAILABLE

\* MX123 WIRE HARNESS COVER MATES TO ANY 18/49/56 CKT MX123 HARN CONN ASSY SHOWN ON THIS TABLE

<b>ENTER DESCRIPTION</b> IEC NO: UAU2017-0870 DRAWN IN ITALY 2017/03/27 CHKD: APPR:VKOSHY 2017/03/29 REV: A4	QUALITY SYMBOLS ∇=0 ∇=0 ∇=0	GENERAL TOLERANCES (UNLESS SPECIFIED): 4 PLACES ± mm ± INCH 3 PLACES ± mm ± INCH 2 PLACES ± 0.13 ± INCH 1 PLACE ± 0.25 ± INCH 0 PLACE ± --- ± INCH	DIMENSION STYLE MM ONLY	SCALE 1:1	DESIGN UNITS METRIC	THIRD ANGLE PROJECTION
	DRAFT WHERE APPLICABLE MUST REMAIN WITHIN DIMENSIONS		MATERIAL NO. SEE BOM TABLE	DOCUMENT NO. SD-34576-0001	SHEET NO. 4 OF 22	TITLE ICD - MX123 18/49/56CKT INTERFACE CONNECTION DRW MOLEX
	THIS DRAWING CONTAINS INFORMATION THAT IS PROPRIETARY TO MOLEX INCORPORATED AND SHOULD NOT BE USED WITHOUT WRITTEN PERMISSION					
	molex					

**NOTES: UNLESS OTHERWISE SPECIFIED**

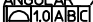
**1. MATERIAL FOR INTERFACE:**

- A. RESIN:**  
 1. 30% G.F. PBT, 20% MAX. (BY WEIGHT) REGRIND.  
 2. MATING CONNECTOR INTERFACE PART COLOR MUST BE SAME AS MATCHING KEYED HARNESS CONNECTOR ASSEMBLY.  
 3. MUST BE VALIDATED FOR INDIVIDUAL DEVICE APPLICATION REQUIREMENTS.
- B. 0.64MM PINS:**  
 1. BASE MATERIAL: COPPER ALLOY, CONDUCTIVITY >= 28% IACS AT 20°C, TENSILE STRENGTH >= 635 N/mm², SURFACE ROUGHNESS R<sub>a</sub>6 MAX.  
 2. PLATING FINISH: SILVER (Ag) PLATING TO BE 1.9-3.3 µm ELECTRODEPOSITED SEMI-BRIGHT SILVER OVER 1.25-2.25 µm DUCTILE SULPHAMATE NICKEL PER NOTE 1(D).  
 3. ANTI-TARNISH: SYNTHETIC HYDROCARBON CONTACT SURFACE FINISH OR EQUIVALENT APPLIED WITHOUT VOID TO CONTACT AREA (MIN 3.7mm FROM PIN TIP).
- C. 2.8MM BLADE:**  
 1. BASE MATERIAL: COPPER ALLOY, CONDUCTIVITY >= 28% IACS AT 20°C, TENSILE STRENGTH >= 350 N/mm², SURFACE ROUGHNESS R<sub>a</sub>6 MAX.  
 2. PLATING FINISH: TIN PLATING TO BE 2.5-5.0 µm ELECTRODEPOSITED TIN MATTE FINISH OVER 1.25-2.5µm DUCTILE SULPHAMATE NICKEL PER NOTE 1(D).
- D. 6.3MM BLADE:**  
 1. BASE MATERIAL: COPPER ALLOY, CONDUCTIVITY >= 50% IACS AT 20°C,  
 2. PLATING FINISH: SILVER (Ag) PLATING TO BE 1.9-3.3 µm ELECTRODEPOSITED SEMI-BRIGHT SILVER, OVER 1.25-2.5µm DUCTILE SULPHAMATE NICKEL PER NOTE 1(D) WITH ENVIRONMENTAL BARRIER OR  
 TIN/SILVER (ELECTRO-DEPOSITED), UNDERPLATE 0.5-2.0 µm NICKEL OR COPPER, TOP PLATING: 1.0-3.0 µm (SILVER RANGE 3.75-X.XX NO ANTI-TARNISH COATING REQUIRED).

**E. PLATING REQUIREMENTS:**

- 1. SILVER PLATING**  
 a. 99.5% PURE SEMI-BRIGHT WITH NO ORGANIC BRIGHTNERS OR CHROMATES.  
**2. NICKEL PLATING**  
 a. ELECTRODEPOSITED DUCTILE SULFAMATE NICKEL WITH A NON-BRIGHTENED FINISH. NO ORGANIC OR BRIGHTENING AGENTS SHALL BE ALLOWED.  
 b. SHALL ONLY BE USED AS AN UNDERLYING PLATING AND MAY NOT BE USED AS AN ELECTRICAL CONTACT SURFACE PLATING.  
 c. SHALL BE NODULE FREE WHEN VIEWED AT 10X MAGNIFICATION IN MEASURED IN CONTACT SURFACE AREA PLUS 0.5MM PERIMETER AROUND THE CONTACT SURFACE AREA.  
 d. ALL PLATINGS SHALL HAVE A 1.0% MAXIMUM BY WEIGHT IMPURITIES. IMPURITIES ARE DEFINED AS ALL ELEMENTS NOT THE PRIMARY PLATING OR HARDENING AGENT IF APPLICABLE, AS DETERMINED BY WET CHEMICAL ANALYSIS OR AUGER METHOD. NO SINGLE IMPURITY SHALL EXCEED 0.1% MAXIMUM BY WEIGHT.  
**3. TESTING**  
 a. THICKNESS TO BE MEASURED IN CONTACT SURFACE AREA PLUS 0.5MM PERIMETER AROUND THE CONTACT SURFACE AREA AS DESIGNATED IN THE DRAWING. THICKNESS SHALL BE DETERMINED BY METHOD OF X-RAY (XRF).  
 b. PLATING ADHESION SHALL BE TESTED BY A BEND TEST FOR ALL METALS. THE TEST SAMPLE SHALL BE BENT 90 DEGREES TO DETERMINE DEPOSIT ADHESION. TESTING SHALL BE COMPLETED IN ACCORDANCE WITH ASTM SPEC B571.

**2. DESIGN - GENERAL:**

- A. THIS IS A 100% CAD GENERATED PART. THE CAD MATHEMATICAL DATA IS THE MASTER FOR THIS PART. WHERE DIMENSIONS ARE SPECIFIED ON THE DRAWING, THE DRAWING IS THE AUTHORITY FOR DIMENSIONAL VALUES. FOR DIMENSIONAL OR ANY INFORMATION NOT SHOWN ON THIS DRAWING, ANALYZE THE CAD MODEL.**  
**B. DIMENSIONS OBTAINED FROM THE DIGITAL MODEL ARE BASIC:**  
 1. FOR RELATIONSHIPS BETWEEN FEATURES WHEN ESTABLISHED BY GEOMETRIC TOLERANCES.  
 2. FOR THE FORM OF A FEATURE WHEN CONTROLLED BY A PROFILE TOLERANCE.  
 3. FOR THE SIZE, FORM AND/OR RELATIONSHIP BETWEEN FIXED DATUM TARGETS.  
**C. DIMENSIONS OBTAINED FROM THE DIGITAL MODEL ARE ROUNDED TO TWO DECIMAL PLACES (PER IEEE/ASTM SI 10-2002)**  
**D. VIEWS AND SECTIONS ON THIS DRAWING ARE IN ACCORDANCE WITH GM DCS SECTION C3. E. THE DIGITAL MODEL MUST CORRESPOND TO THE RELEASE LEVEL SHOWN IN THE PART BLOCK ON THIS DOCUMENT.**  
**F. TOLERANCES:**  
 1. LINEAR 0.X ± 0.30  
 0.XX ± 0.10  
 0.XXX ± 0.10  
 2. ANGULAR X° ± 3°  
 3.   
**G. MINIMUM WALL THICKNESS REQUIRED: 1.3mm.**  
**H. CORNERS SHOWN AS SHARP TO BE R 0.2 MAX.**  
**J. LETTERING SHALL BE 0.15 MAX RAISED IN 0.20 MAX RECESS PAD. THIS INCLUDES MATERIAL CODE, RECYCLING CODE, CAVITY ID AND DATE CODE.**  
**K-1. PARTS MUST BE FREE OF DISCOLORATION, SALT RESIDUE AND OTHER IMPERFECTIONS THAT AFFECT FIT OR FUNCTION.**  
**K-2. SCRATCHES OR DENTS NOT TO EXCEED 0.013mm IN DEPTH.**  
**L. FOLLOWING PRODUCTION CODES TO BE PERMANENTLY MARKED & HUMAN READABLE TO A LETTER HEIGHT OF 1.5 ± 0.5MM X 0.3 MAX DEEP**  
 1. MATERIAL #: XXXXX-XXXX  
 2. DATE CODE: JULY (JULIAN DAY, LAST DIGIT OF YEAR)  
 3. INSPECTION MACHINE CODE + SERIAL #: X\_XXXXX

**3. DESIGN - MANUFACTURING:**

- A. DRAFT TO BE WITHIN TOLERANCE.**  
**B. ALLOWABLE FLASH MAX 0.2 HIGH X MAX 0.13 THICK.**  
**C. ALLOWABLE PARTING LINE MISMATCH 0.2 MAX.**  
**D. EJECTOR PINS MARK TO BE FLUSH TO 0.25 MAX DEPRESSED.**  
**E. ALLOWABLE GATE VESTIGE FLUSH TO 0.25 MAX PROTRUSION.**  
**F. NO EXTERNAL MOLD RELEASE AGENT ALLOWED DURING MANUFACTURING.**  
**G. STEEL THAT FORMS THE INDICATED SURFACE MUST BE POLISHED WITH A DIAMOND FINISH (SPI A-2) OVER THE FULL PERIPHERY OF THE TOOL. SURFACE MUST HAVE NO MISMATCH.**  
**H. ANY PROCESS LUBRICANT REMAINING ON THE TERMINAL MUST NOT VARNISH OR DEGRADE IT'S ELECTRICAL PERFORMANCE UP TO A MAXIMUM CLASS AMBIENT TEMPERATURE PER SAE USCAR-2 FOR 1008 HOURS. PROCESS LUBRICANTS SHOULD BE APPROVED BY THE RESPONSIBLE ENGINEER.**  
**J. OPTIONAL FEATURES PROVIDED FOR AUTOMATION.**  
**K. PART MUST BE FREE FROM BURRS AND SHARP EDGES, WHICH MUST BE DETRIMENTAL TO SATISFACTORY ASSEMBLY, SAFE HANDLING OR FUNCTION OF PART.**  
**L. PARTS AS DELIVERED TO ASSEMBLY SHALL BE CLEAN AND FREE OF DEBRIS, RESIDUAL ABRASIVE MATERIAL AND CORROSION PRODUCTS ADVERESLY AFFECTING FUNCTION OR APPEARANCE.**  
**M. RESTRICTED AND REPORTABLE SUBSTANCES FOR PARTS PER GMW3059.**

ENTER DESCRIPTION IEC NO: UAU2017-0870 DRAWN BY: ITALIA CHKD: CHKO APPR: VKOSHY 2017/03/27 2017/03/29 2017/03/29 REV: A4	QUALITY SYMBOLS ∇=0 ∇=0 ∇=0	GENERAL TOLERANCES (UNLESS SPECIFIED): mm    INCH 4 PLACES ± --- ± --- 3 PLACES ± --- ± --- 2 PLACES ± 0.13 ± --- 1 PLACE ± 0.25 ± --- 0 PLACE ± --- ± --- ANGULAR ± 1 ° DRAFT WHERE APPLICABLE MUST REMAIN WITHIN DIMENSIONS	DIMENSION STYLE MM ONLY SCALE 1:1 DESIGN UNITS METRIC THIRD ANGLE PROJECTION	DRAWN BY: SKRA JENDRANA DATE: 2016/12/15 CHECKED BY: VKOSHY DATE: 2016/12/15 APPROVED BY: VKOSHY DATE: 2017/03/03	TITLE ICD - MX123 18/49/56CKT INTERFACE CONNECTION DRW MOLEX MATERIAL NO. SD-34576-0001 DOCUMENT NO. SD-34576-0001 SHEET NO. 5 OF 22
	THIS DRAWING CONTAINS INFORMATION THAT IS PROPRIETARY TO MOLEX INCORPORATED AND SHOULD NOT BE USED WITHOUT WRITTEN PERMISSION				

NOTES: UNLESS OTHERWISE SPECIFIED

4. SYSTEM REQUIREMENTS:

A. HARNESS CONNECTOR IS COMPATIBLE WITH THE FOLLOWING WIRE SIZE NO'S:  
 0.35mm<sup>2</sup>, MEETING GMW15626 - MIN OD OF 1.20MM  
 0.50mm<sup>2</sup>, MEETING GMW15626  
 0.75mm<sup>2</sup>, MEETING GMW15626 - MAX OD OF 2.06MM

B. CABLE TIE SPECIFICATIONS:

1. CABLE TIE:
  - TENSILE RATING: 220N / (50lbs) MIN
  - TIE LENGTH: 186mm MIN
  - TIE WIDTH: 4.75mm MAX
  - MATERIAL: NYLON
2. INSTALLATION:
  - CABLE TIE TENSION: 190N MIN
3. DRESSED WIRE BUNDLE PACKAGING: SEE FIG. 1

C. WHEN MATED WITH COMPONENT CONNECTOR INTERFACE AND/OR DRESS COVER, HARNESS CONNECTOR SYSTEM CONFORMS TO THE FOLLOWING:

1. SAE/USCAR-2, REV: 3 APRIL, 2001, CLASS 3
2. FIELD CORRELATED LIFE TEST, SAE/USCAR-20, NOV, 2001
3. GMW #3191 AUGUST 22, 2000 (DRAFT); TEMPERATURE CLASS 3 (145°C), SEALING CLASS 1 (HIGH PRESSURE SPRAY), VIBRATION CLASS 2 (ON BODY)
4. TPA USER FORCES (FULLY POPULATED WITH TERMINALS)
  - a. REMOVAL FROM LOCK TO PRE-SET: <=120N

D. WIRE SPECIFICATIONS:

1. WIRE SURFACE MUST BE FREE OF SCRATCHES, GROOVES OR DENTS WHERE FUNCTIONAL

5. TERMINAL CURRENT RATINGS:

A. MX64 RCPT TERM

ALL TESTING DONE IN ACCORDANCE WITH USCAR-2 REV5 SECTION 5.3

1. MX64 RCPT TERM Ag 0.50/0.75mm<sup>2</sup> CRIMPED TO 0.75mm<sup>2</sup> ISO WIRE AND MATED TO MX123 0.64MM PIN: SEE TABLE BELOW
2. MX64 RCPT TERM Ag 0.35mm<sup>2</sup> CRIMPED TO 0.35mm<sup>2</sup> ISO WIRE AND MATED TO MX123 0.64MM PIN: SEE TABLE BELOW

WIRE	CURRENT RATING			
	23 °C	85 °C	105 °C	125 °C
0.75mm <sup>2</sup>	11.3A	11.3A	9.5A	6.6A
0.50mm <sup>2</sup>	10.0A	10.0A	8.3A	5.7A
0.35mm <sup>2</sup>	8.5A	8.5A	7.1A	5.0A

B. 2.8MM RCPT TERM

ALL TESTING DONE IN ACCORDANCE WITH MOLEX DVP&R 0279 (TR# 7125)

1. 2.8MM RCPT TERM TIN 2.0mm<sup>2</sup> CRIMPED TO 2.0mm<sup>2</sup> ISO WIRE AND MATED TO MX123 2.8MM BLADE: 25.6 AMPS AT 125°C

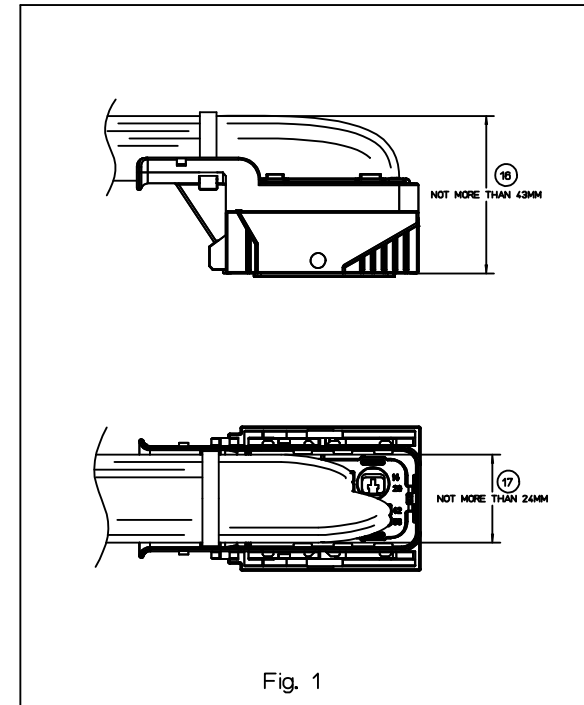
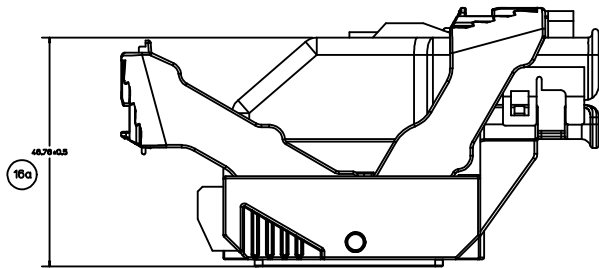
C. 6.3MM RCPT TERM - DELPHI APEX

ALL TESTING DONE IN ACCORDANCE WITH USCAR-2 REV5 SECTION 5.3

1. 6.3MM RCPT TERM TIN/SILVER CRIMPED TO 6.0MM BLADE (Sn/Ag PLATED): 36A AT 125°C
6. CONTACT MOLEX AUTOMOTIVE FOR AVAILABLE CUSTOM PATTERNS OF CAVITIES OPEN FOR CIRCUITS - SEE GM DRAWING 13507495

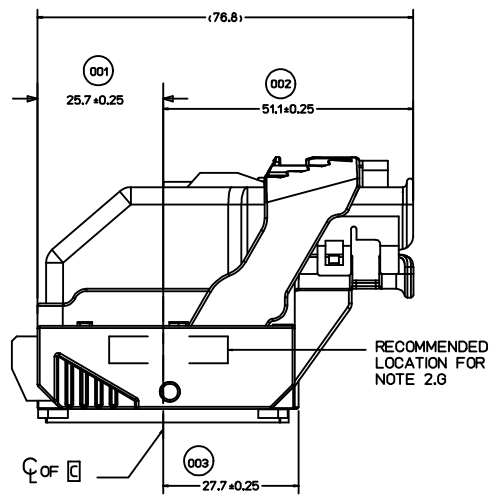
ENTER DESCRIPTION IEC NO: UAU2017-0870 DRAWN: CHITRALIA 2017/03/27 CHKD: APPR: VKOSHY 2017/03/29 REV:	QUALITY SYMBOLS	GENERAL TOLERANCES (UNLESS SPECIFIED)	DIMENSION STYLE	SCALE	DESIGN UNITS	THIRD ANGLE PROJECTION	
	▽=0	4 PLACES ± --- ± ---	MM ONLY	1:1	METRIC	☉	
	▽=0	3 PLACES ± --- ± ---	mm INCH	DRAWN BY	DATE	TITLE	
	▽=0	2 PLACES ± 0.13 ± ---	SKRAJENDRANA 2016/12/15	DATE	ICD - MX123 18/49/56CKT	INTERFACE CONNECTION DRW	
	1 PLACE ± 0.25 ± ---	1 PLACE ± --- ± ---	APPROVED BY	DATE			
	0 PLACE ± --- ± ---	0 PLACE ± --- ± ---	VKOSHY 2017/03/03	DATE			
		ANGULAR ± 1 °	MATERIAL NO.	DOCUMENT NO.			
		DRAFT WHERE APPLICABLE MUST REMAIN WITHIN DIMENSIONS	SEE BOM TABLE	SD-34576-0001			
			SIZE D	THIS DRAWING CONTAINS INFORMATION THAT IS PROPRIETARY TO MOLEX INCORPORATED AND SHOULD NOT BE USED WITHOUT WRITTEN PERMISSION			
						SHEET NO. 6 OF 22	

20 19 18 17 16 15 14 13 12 11 10 9 8 7 6 5 4 3 2 1

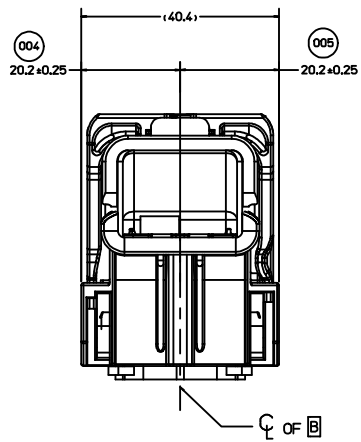


<b>ENTER DESCRIPTION</b> IEC NO: UAU2017-0870 DRAWN: CHITALIA 2017/03/27 CHKD: APPR: VKOSHY 2017/03/29	QUALITY SYMBOLS	GENERAL TOLERANCES (UNLESS SPECIFIED)	DIMENSION STYLE	SCALE	DESIGN UNITS	THIRD ANGLE PROJECTION
	$\nabla=0$ $\nabla=0$ $\nabla=0$	mm INCH 4 PLACES ± --- ± --- 3 PLACES ± --- ± --- 2 PLACES ± 0.13 ± --- 1 PLACE ± 0.25 ± --- 0 PLACE ± --- ± ---	MM ONLY	1:1	METRIC	DRAWN BY: SKRAJENDRANA 2016/12/15 CHECKED BY: VKOSHY 2016/12/15 APPROVED BY: VKOSHY 2017/03/03
TITLE: ICD - MX123 18/49/56CKT INTERFACE CONNECTION DRW MOLEX MATERIAL NO. SEE BOM TABLE DOCUMENT NO. SD-34576-0001 SHEET NO. 7 OF 22	THIS DRAWING CONTAINS INFORMATION THAT IS PROPRIETARY TO MOLEX INCORPORATED AND SHOULD NOT BE USED WITHOUT WRITTEN PERMISSION					

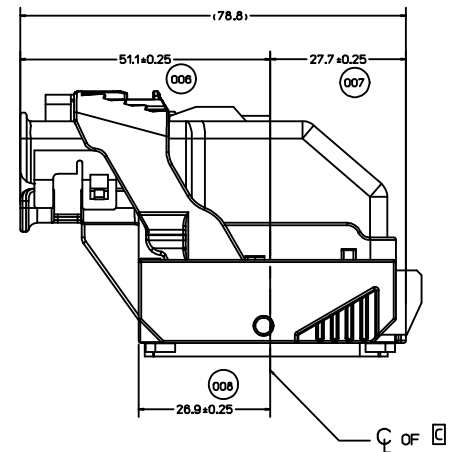
19 18 17 16 15 14 13 12 11 10 9 8 7 6 5 4 3 2 1



WIRE DRESS OPTION 0 SHOWN



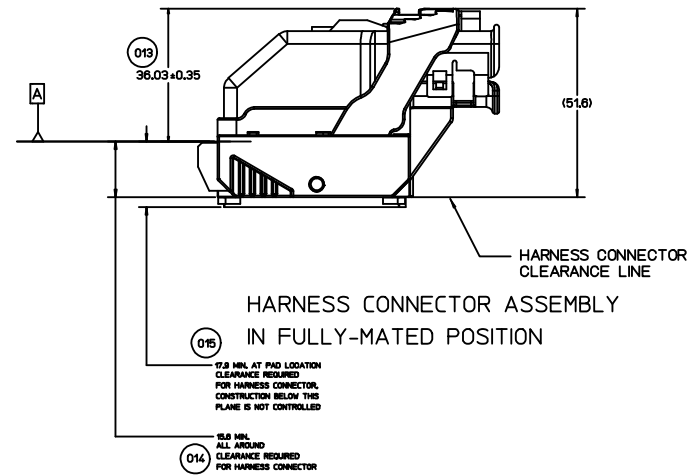
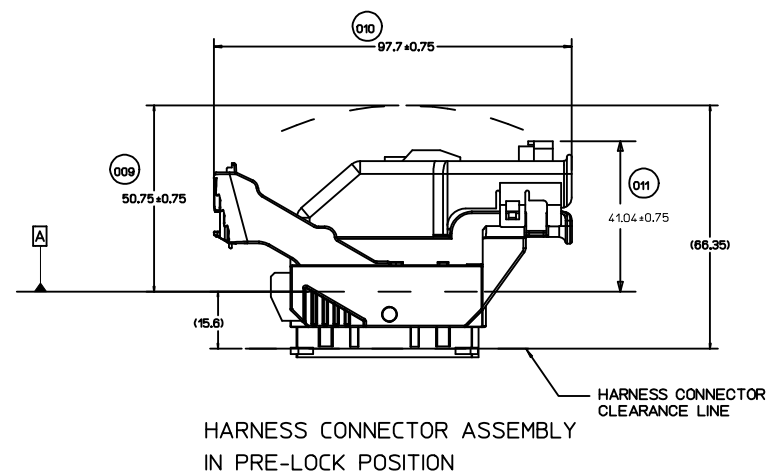
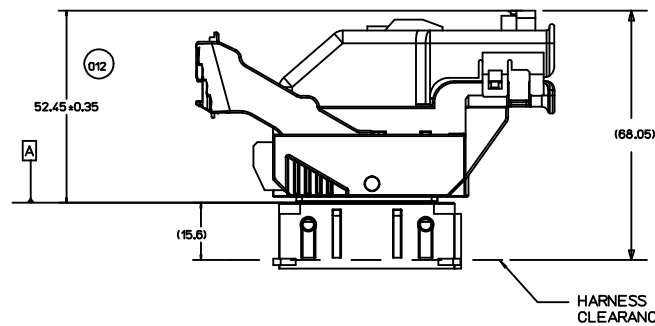
WIRE DRESS OPTION 0 SHOWN



WIRE DRESS OPTION 9 SHOWN

<b>ENTER DESCRIPTION</b> IEC NO: UAU2017-0870 DRAWN: ACHITALLIA 2017/03/27 CHKD: APPR: VKOSHY 2017/03/29 REV:	QUALITY SYMBOLS	GENERAL TOLERANCES (UNLESS SPECIFIED)	DIMENSION STYLE	SCALE	DESIGN UNITS	THIRD ANGLE PROJECTION
	▽=0	mm	MM ONLY	1:1	METRIC	☉
	▽=0	INCH				
	▽=0					
	4 PLACES ±		DRAWN BY	DATE	TITLE	
	3 PLACES ±		SKRA JENDRANA	2016/12/15	ICD - MX123 18/49/56CKT	
	2 PLACES ±0.13		CHECKED BY	DATE	INTERFACE CONNECTION DRW	
	1 PLACE ±0.25		VKOSHY	2016/12/15	MOLEX	
	0 PLACE ±		APPROVED BY	DATE	<b>molex</b>	
			VKOSHY	2017/03/03		
		ANGULAR ± 1°	MATERIAL NO.	DOCUMENT NO.	SHEET NO.	
		DRAFT WHERE APPLICABLE MUST REMAIN WITHIN DIMENSIONS	SEE BOM TABLE	SD-34576-0001	8 OF 22	
			SIZE D	THIS DRAWING CONTAINS INFORMATION THAT IS PROPRIETARY TO MOLEX INCORPORATED AND SHOULD NOT BE USED WITHOUT WRITTEN PERMISSION		





<b>ENTER DESCRIPTION</b> IEC NO: UAU2017-0870 DRAWN: ITALIA 2017/03/27 CHKD: APPR: VKOSHY 2017/03/29 REV:	QUALITY SYMBOLS	GENERAL TOLERANCES (UNLESS SPECIFIED)	DIMENSION STYLE	SCALE	DESIGN UNITS	THIRD ANGLE PROJECTION
	▽=0	4 PLACES ± mm ± INCH	MM ONLY	1:1	METRIC	
	▽=0	3 PLACES ± 0.13				
	▽=0	2 PLACES ± 0.25				
		1 PLACE ±				
		0 PLACE ±				
		ANGULAR ± 1 °				
		DRAFT WHERE APPLICABLE MUST REMAIN WITHIN DIMENSIONS				
			SEE BOM TABLE			

TITLE: ICD - MX123 18/49/56CKT INTERFACE CONNECTION DRW MOLEX

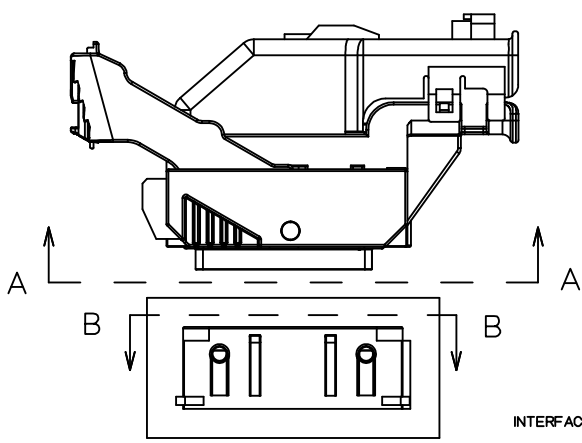
**molex**

MATERIAL NO. SKRAJENDRANA 2016/12/15  
 DATE 2016/12/15  
 CHECKED BY VKOSHY  
 DATE 2017/03/03  
 APPROVED BY VKOSHY  
 DATE 2017/03/03

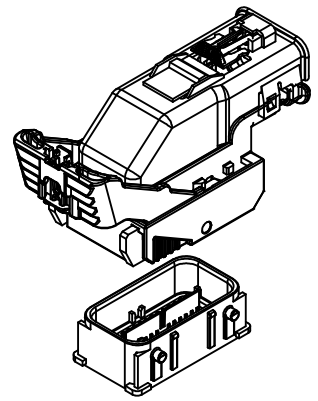
DOCUMENT NO. SD-34576-0001

SHEET NO. 9 OF 22

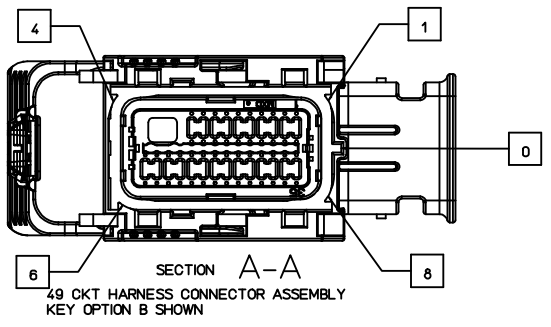
THIS DRAWING CONTAINS INFORMATION THAT IS PROPRIETARY TO MOLEX INCORPORATED AND SHOULD NOT BE USED WITHOUT WRITTEN PERMISSION



INTERFACE SIDE SHOWN IN ALL SECTION VIEWS

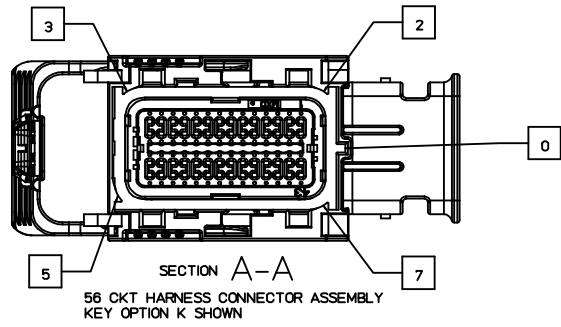


NOTE: REFERENCE THE COMPONENT TABLE FOR KEY OPTIONS AND CONFIGURATIONS



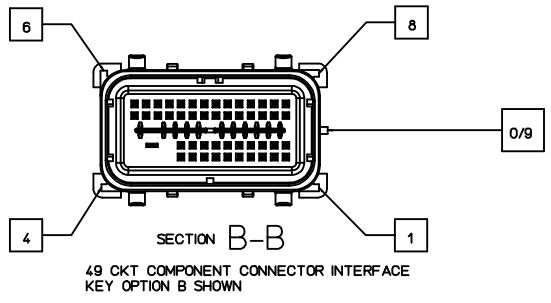
SECTION A-A

49 CKT HARNESS CONNECTOR ASSEMBLY  
KEY OPTION B SHOWN



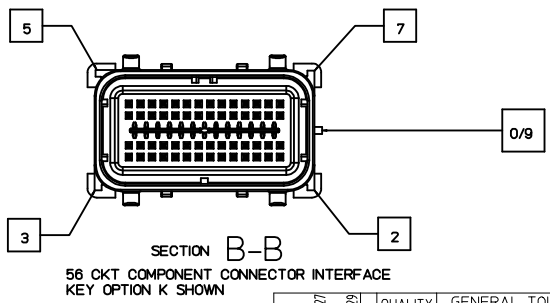
SECTION A-A

56 CKT HARNESS CONNECTOR ASSEMBLY  
KEY OPTION K SHOWN



SECTION B-B

49 CKT COMPONENT CONNECTOR INTERFACE  
KEY OPTION B SHOWN

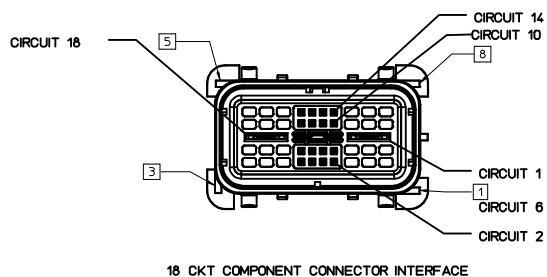
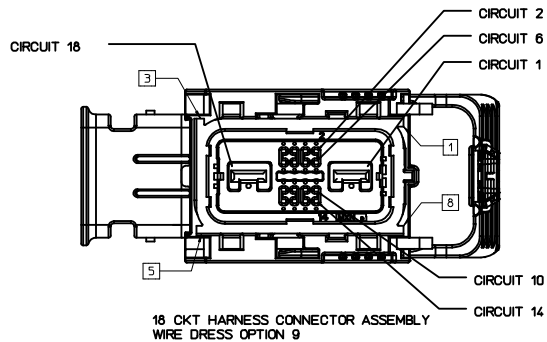
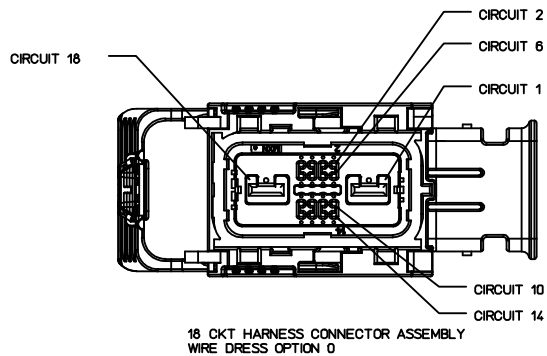


SECTION B-B

56 CKT COMPONENT CONNECTOR INTERFACE  
KEY OPTION K SHOWN

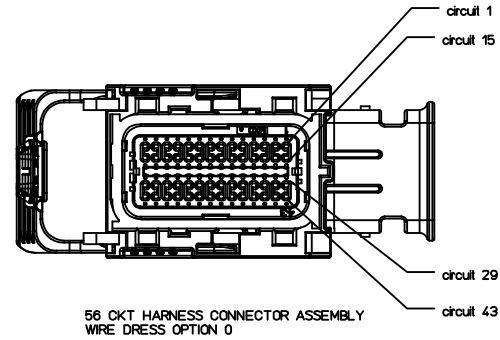
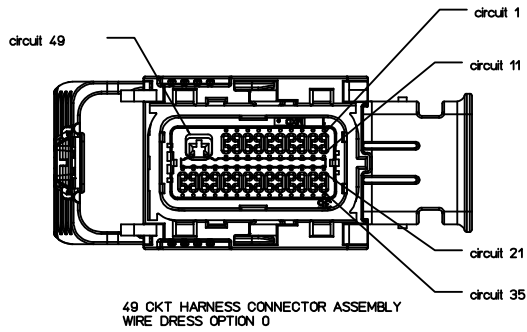
ENTER DESCRIPTION IEC NO: UAU2017-0870 DRAWN: CHAITALIA CHKD: APPR: VKOSHY 2017/03/27 2017/03/29 A4	QUALITY SYMBOLS	GENERAL TOLERANCES (UNLESS SPECIFIED)	DIMENSION STYLE	SCALE	DESIGN UNITS	THIRD ANGLE PROJECTION	
	▽=0	4 PLACES ± --- INCH	MM ONLY	1:1	METRIC		
	▽=0	3 PLACES ± 0.13					
	▽=0	2 PLACES ± 0.25					
		0 PLACE ± ---					
		ANGULAR ± 1 °					
		DRAFT WHERE APPLICABLE MUST REMAIN WITHIN DIMENSIONS					
			MATERIAL NO.	DOCUMENT NO.		SHEET NO.	
			SEE BOM TABLE	SD-34576-0001		10 OF 22	
			THIS DRAWING CONTAINS INFORMATION THAT IS PROPRIETARY TO MOLEX INCORPORATED AND SHOULD NOT BE USED WITHOUT WRITTEN PERMISSION				



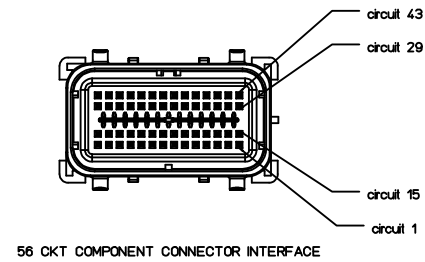
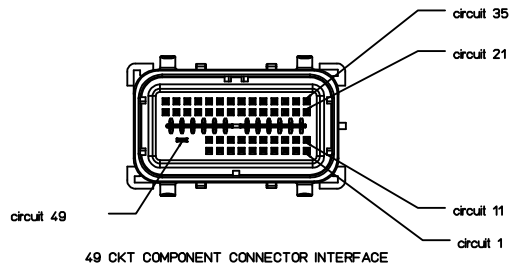
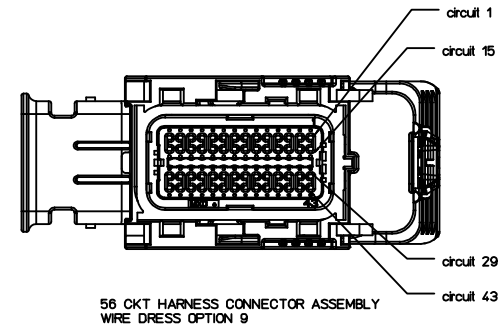
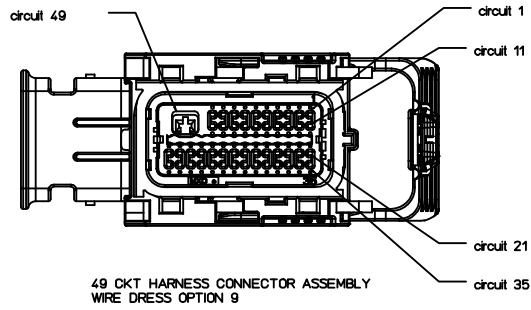


INTERFACE SIDE SHOWN ON ALL VIEWS

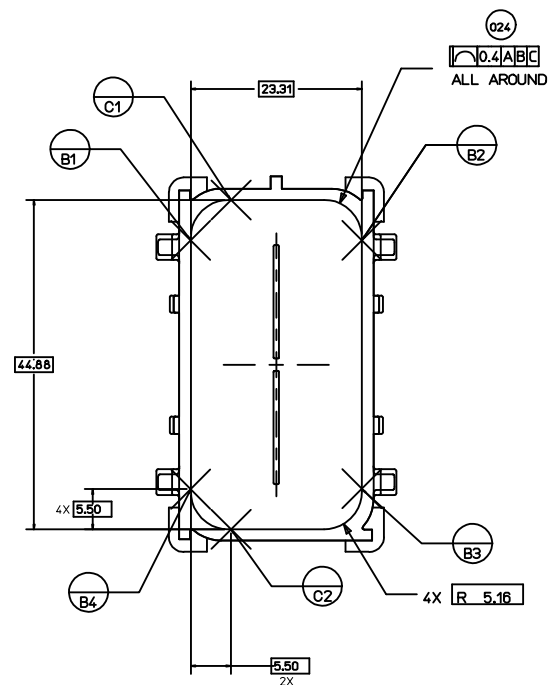
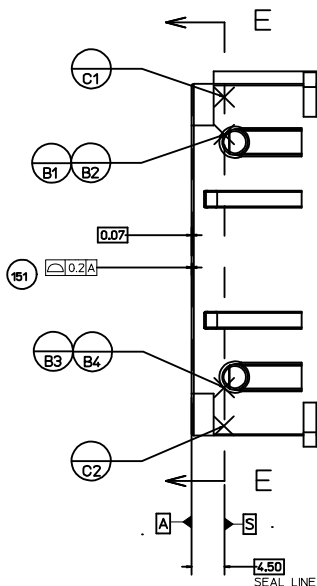
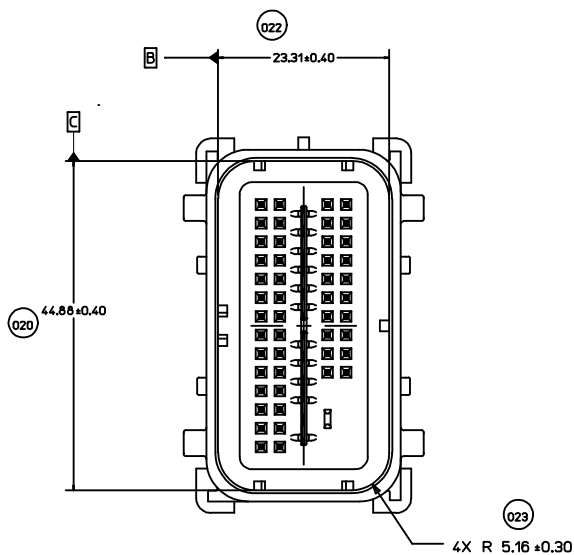
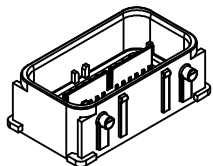
<b>ENTER DESCRIPTION</b> IEC NO: UAU2017-0870 DRAWN: ACHITALLIA 2017/03/27 CHKD: APPR: VKOSHY 2017/03/29 REV:	QUALITY SYMBOLS	GENERAL TOLERANCES (UNLESS SPECIFIED)	DIMENSION STYLE	SCALE	DESIGN UNITS	THIRD ANGLE PROJECTION	
	▽=0	mm INCH	MM ONLY	1:1	METRIC		
	▽=0	4 PLACES ± 0.13					
	▽=0	3 PLACES ± 0.25					
		ANGULAR ± 1°					
		DRAFT WHERE APPLICABLE MUST REMAIN WITHIN DIMENSIONS	SEE BOM TABLE				
			MATERIAL NO.	DOCUMENT NO.		SHEET NO.	
				SD-34576-0001		12 OF 22	
			THIS DRAWING CONTAINS INFORMATION THAT IS PROPRIETARY TO MOLEX INCORPORATED AND SHOULD NOT BE USED WITHOUT WRITTEN PERMISSION				



INTERFACE SIDE SHOWN ON ALL VIEWS



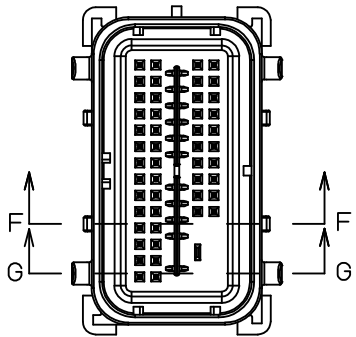
ENTER DESCRIPTION IEC NO: UAU2017-0870 DRAWN BY: DRWNA/ITALIA CHKD: APPR:VKOSHY DATE: 2017/03/27 APPR:VKOSHY	QUALITY SYMBOLS	GENERAL TOLERANCES (UNLESS SPECIFIED)	DIMENSION STYLE	SCALE	DESIGN UNITS	THIRD ANGLE PROJECTION
	▽=0	4 PLACES ± mm ± INCH	MM ONLY	1:1	METRIC	
	▽=0	3 PLACES ± 0.13				
	▽=0	2 PLACES ± 0.25				
		ANGULAR ± 1°				
		DRAFT WHERE APPLICABLE MUST REMAIN WITHIN DIMENSIONS				
			DRAWN BY: SKRAJENDRANA	DATE: 2016/12/15	TITLE: ICD - MX123 18/49/56CKT INTERFACE CONNECTION DRW	
			CHECKED BY: VKOSHY	DATE: 2016/12/15		
			APPROVED BY: VKOSHY	DATE: 2017/03/03		
			MATERIAL NO. SEE BOM TABLE	DOCUMENT NO. SD-34576-0001		
						SHEET NO. 13 OF 22
			THIS DRAWING CONTAINS INFORMATION THAT IS PROPRIETARY TO MOLEX INCORPORATED AND SHOULD NOT BE USED WITHOUT WRITTEN PERMISSION			



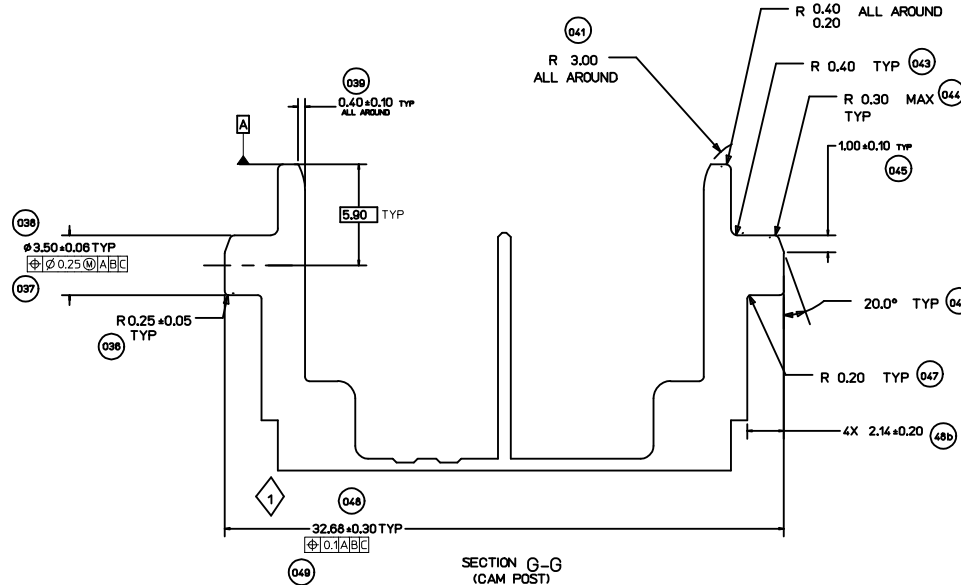
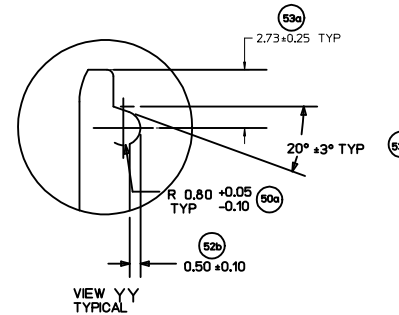
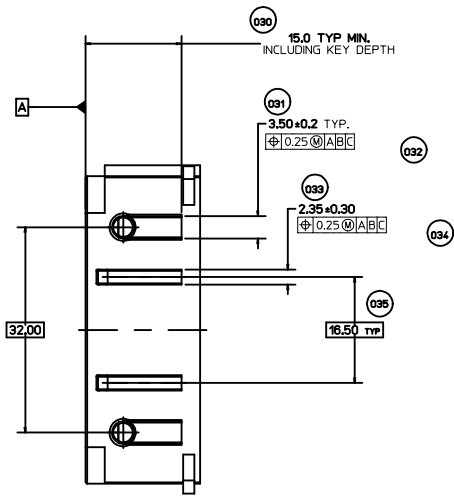
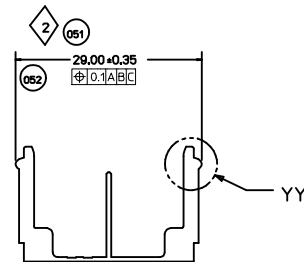
SECTION E-E  
(AT SEAL LINE)

UNLESS SPECIFIED, TOLERANCE OF THE DEVICE INTERFACE TO BE  $\boxed{0.13|ABC}$

<b>ENTER DESCRIPTION</b> IEC NO: UAU2017-0870 DRAWN BY: CHYO CHKD: APPR:VKOSHY DATE: 2017/03/27 2017/03/29	QUALITY SYMBOLS	GENERAL TOLERANCES (UNLESS SPECIFIED)	DIMENSION STYLE	SCALE	DESIGN UNITS	THIRD ANGLE PROJECTION	
	$\nabla=0$ $\nabla=0$ $\nabla=0$	mm INCH 4 PLACES ± --- ± --- 3 PLACES ± 0.13 ± --- 2 PLACES ± 0.25 ± --- 1 PLACE ± --- ± --- 0 PLACE ± --- ± ---	MM ONLY	1:1	METRIC	SKRA JENDRANA 2016/12/15 VKOSHY 2016/12/15 VKOSHY 2017/03/03	ICD - MX123 18/49/56CKT INTERFACE CONNECTION DRW MOLEX <b>molex</b>
	ANGULAR ± 1 ° DRAFT WHERE APPLICABLE MUST REMAIN WITHIN DIMENSIONS	SEE BOM TABLE THIS DRAWING CONTAINS INFORMATION THAT IS PROPRIETARY TO MOLEX INCORPORATED AND SHOULD NOT BE USED WITHOUT WRITTEN PERMISSION	MATERIAL NO. SD-34576-0001	DOCUMENT NO. SD-34576-0001	SHEET NO. 14 OF 22		
	SIZE D						

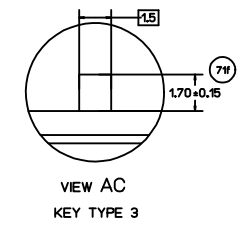
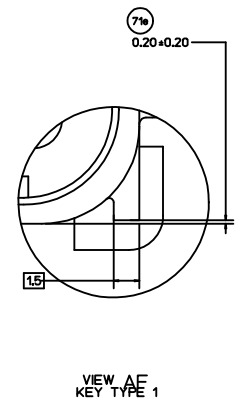
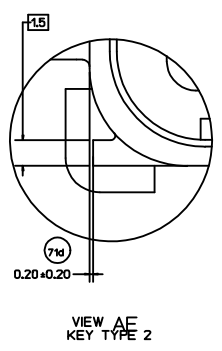
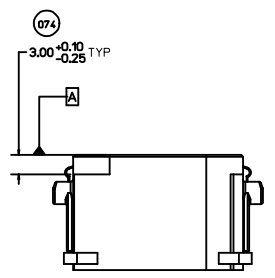
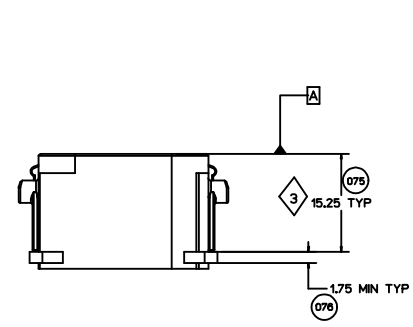
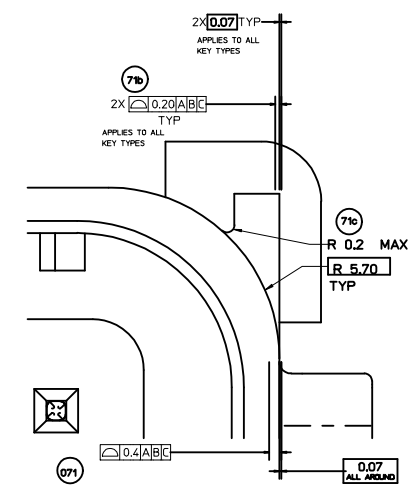
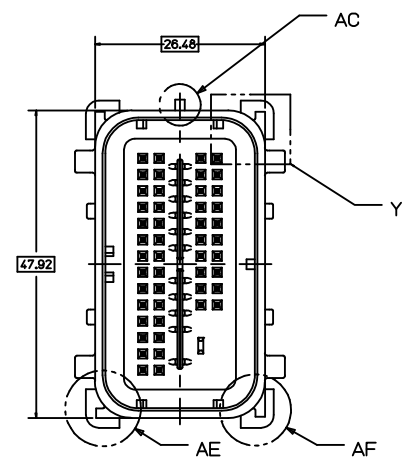
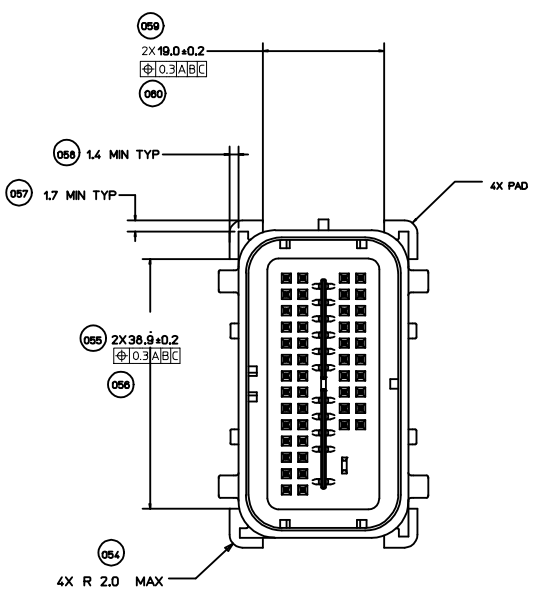


SECTION F-F  
(RELEASE FEATURE)



ENTER DESCRIPTION ELEC NO: UAU2017-0870 DRAWN IN ITALY 2017/03/27 CHKD: APPR: VKOSHY	QUALITY SYMBOLS	GENERAL TOLERANCES (UNLESS SPECIFIED)	DIMENSION STYLE	SCALE	DESIGN UNITS	THIRD ANGLE PROJECTION
	▽=0	mm	MM ONLY	1:1	METRIC	☉
	▽=0	INCH				
	▽=0					
	4 PLACES +---+---		DRAWN BY	DATE	TITLE	
	3 PLACES +---+---		SKRAJENDRANA	2016/12/15	ICD - MX123 18/49/56CKT	
	2 PLACES +---+---		CHECKED BY	DATE	INTERFACE CONNECTION DRW	
	1 PLACE +---+---		VKOSHY	2016/12/15	MOLEX	
	0 PLACE +---+---		APPROVED BY	DATE	<b>molex</b> DOCUMENT NO. SD-34576-0001	
			VKOSHY	2017/03/03		
	ANGULAR ± 1 °		MATERIAL NO.	DOCUMENT NO.	SHEET NO.	
	DRAFT WHERE APPLICABLE MUST REMAIN WITHIN DIMENSIONS		SEE BOM TABLE	SD-34576-0001	15 OF 22	
			SIZE	THIS DRAWING CONTAINS INFORMATION THAT IS PROPRIETARY TO MOLEX INCORPORATED AND SHOULD NOT BE USED WITHOUT WRITTEN PERMISSION		

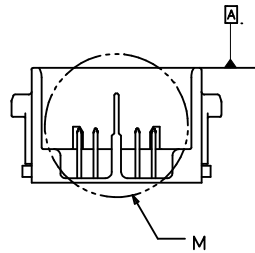
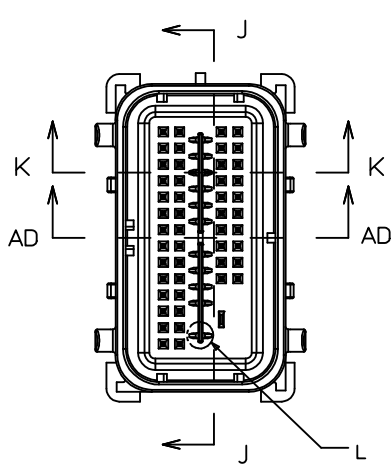
20 19 18 17 16 15 14 13 12 11 10 9 8 7 6 5 4 3 2 1



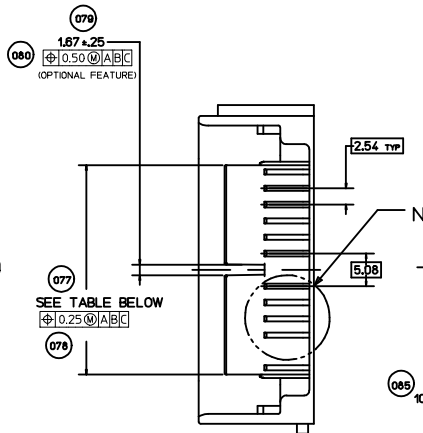
ENTER DESCRIPTION IEC NO: UAU2017-0870 DRAWN: CHITALIA CHKD: APPR: VKOSHY 2017/03/27 2017/03/29	QUALITY SYMBOLS	GENERAL TOLERANCES (UNLESS SPECIFIED)	DIMENSION STYLE	SCALE	DESIGN UNITS	THIRD ANGLE PROJECTION
	$\nabla = 0$ $\nabla = 0$ $\nabla = 0$	mm INCH 4 PLACES +---+---+---+--- 3 PLACES +---+---+--- 2 PLACES +---+--- 1 PLACE +--- 0 PLACE ---	MM ONLY	1:1	METRIC	
	ANGULAR ± 1 ° DRAFT WHERE APPLICABLE MUST REMAIN WITHIN DIMENSIONS	DRAWN BY: SKRAJENDRANA CHECKED BY: VKOSHY APPROVED BY: VKOSHY DATE: 2016/12/15 DATE: 2016/12/15 DATE: 2017/03/03	SEE BOM TABLE THIS DRAWING CONTAINS INFORMATION THAT IS PROPRIETARY TO MOLEX INCORPORATED AND SHOULD NOT BE USED WITHOUT WRITTEN PERMISSION	TITLE: ICD - MX123 18/49/56CKT INTERFACE CONNECTION DRW MOLEX molex	DOCUMENT NO.: SD-34576-0001 SHEET NO.: 16 OF 22	
	A4	MATERIAL NO.: SIZE: D				

19 18 17 16 15 14 13 12 11 10 9 8 7 6 5 4 3 2 1

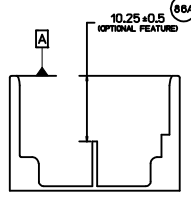




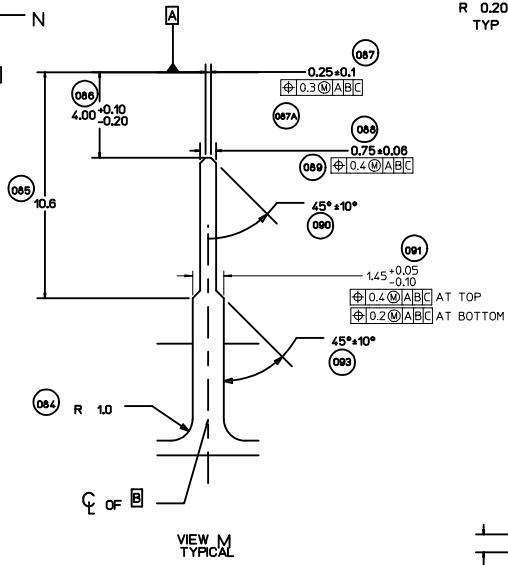
SECTION K-K



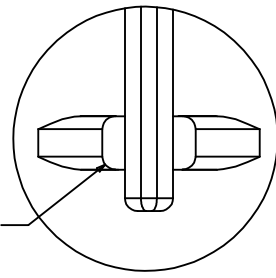
SECTION J-J



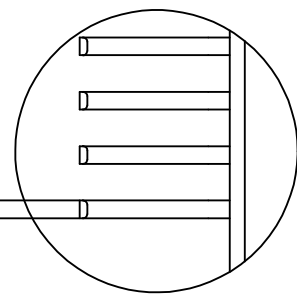
SECTION AD-AD



VIEW M TYPICAL



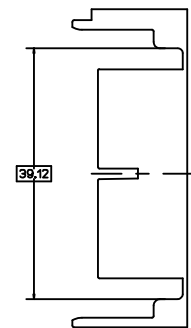
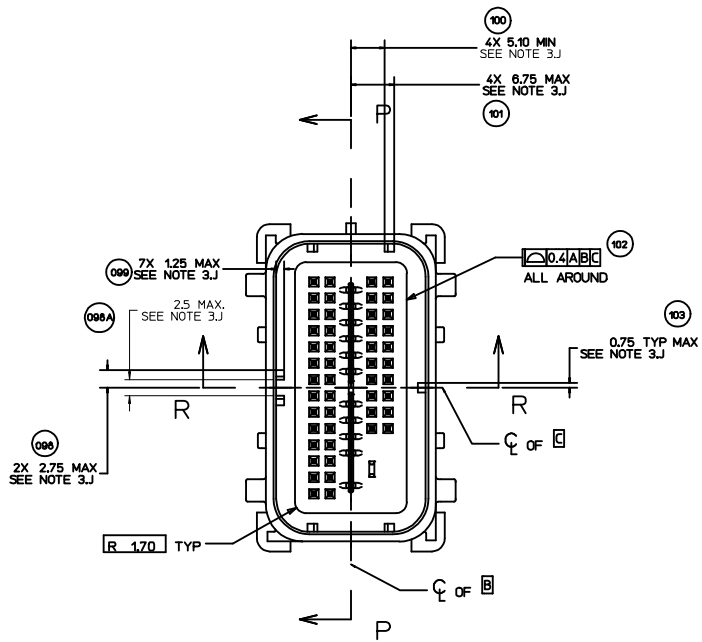
VIEW L



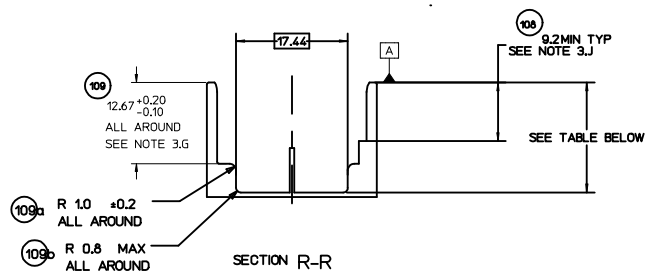
VIEW N

CKT	DIM (077)
49 / 56 CKT	32.60 +0.10/-0.60
18 CKT	10.04 +0.10/-0.60

<b>ENTER DESCRIPTION</b> IEC NO: UAU2017-0870 DRAWN IN ITALY 2017/03/27 CHKD: APPR:VKOSHY APPR:VKOSHY 2017/03/29	QUALITY SYMBOLS	GENERAL TOLERANCES (UNLESS SPECIFIED)	DIMENSION STYLE	SCALE	DESIGN UNITS	THIRD ANGLE PROJECTION
	∇=0 ∇=0 ∇=0	4 PLACES ± mm ± INCH 3 PLACES ± --- ± --- 2 PLACES ± 0.13 ± --- 1 PLACE ± 0.25 ± --- 0 PLACE ± --- ± ---	MM ONLY	1:1	METRIC	SKRA JENDRANA 2016/12/15 VKOSHY 2016/12/15 VKOSHY 2017/03/03
	ANGULAR ± 1 ° DRAFT WHERE APPLICABLE MUST REMAIN WITHIN DIMENSIONS	SEE BOM TABLE THIS DRAWING CONTAINS INFORMATION THAT IS PROPRIETARY TO MOLEX INCORPORATED AND SHOULD NOT BE USED WITHOUT WRITTEN PERMISSION	SKRA JENDRANA 2016/12/15 VKOSHY 2016/12/15 VKOSHY 2017/03/03	ICD - MX123 18/49/56CKT INTERFACE CONNECTION DRW MOLEX	MOLEX SD-34576-0001	SHEET NO. 17 OF 22
	MATERIAL NO. DOCUMENT NO.					



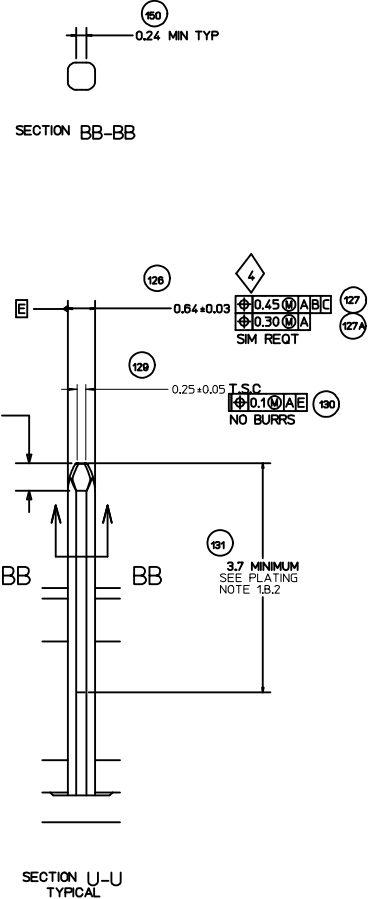
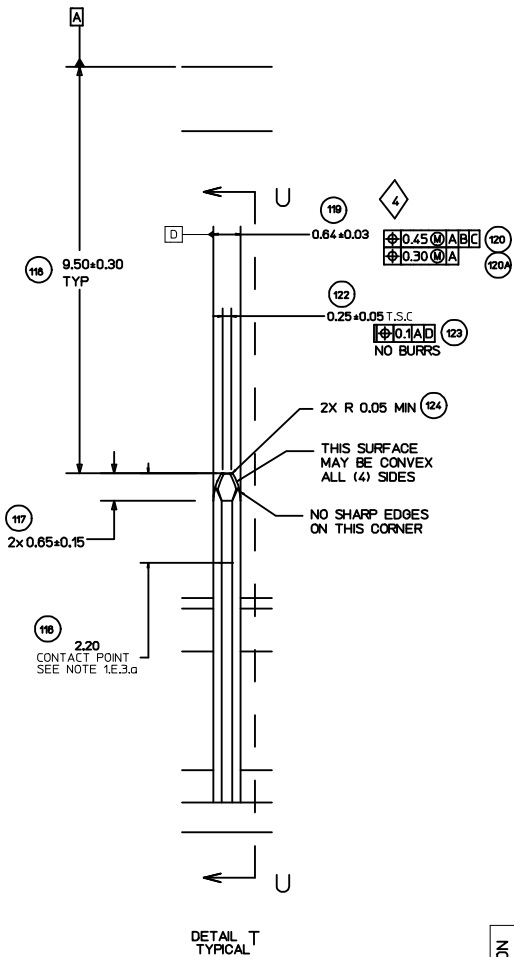
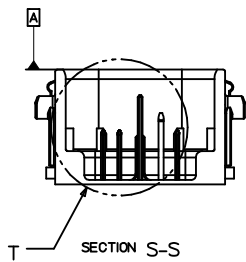
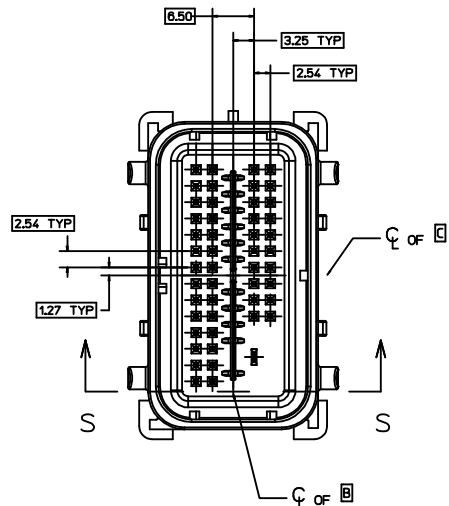
SECTION P-P



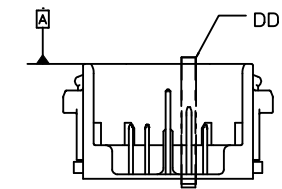
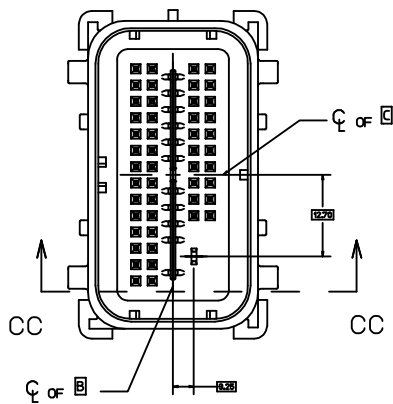
SECTION R-R

CKT	DIM 100
49 / 56 CKT	17.20 +0.20/-0.10
18 CKT	17.50 +0.20/-0.10

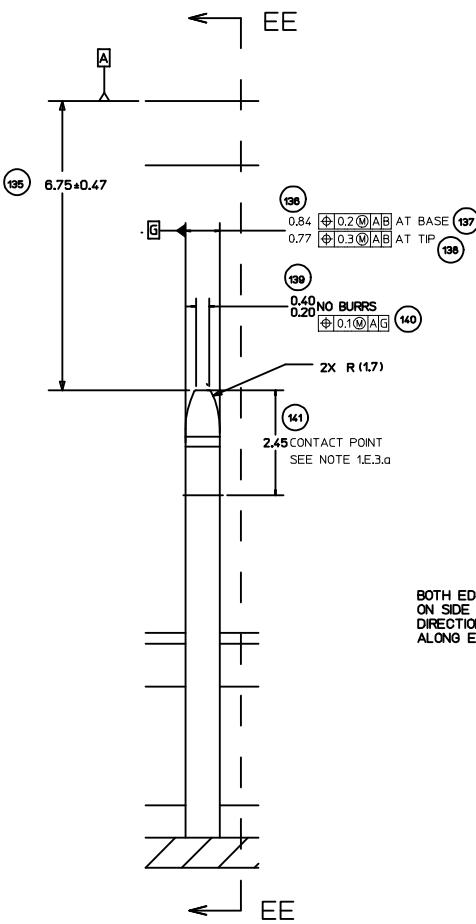
<b>ENTER DESCRIPTION</b> IEC NO: UAU2017-0870 DRAWN: CHTALIA 2017/03/27 CHKD: APPR: VKOSHY 2017/03/29 REV:	QUALITY SYMBOLS ∇=0 ∇=0 ∇=0	GENERAL TOLERANCES (UNLESS SPECIFIED) mm INCH 4 PLACES ± --- + --- 3 PLACES ± --- + --- 2 PLACES ± 0.13 + --- 1 PLACE ± 0.25 + --- 0 PLACE ± --- + --- ANGULAR ± 1 ° DRAFT WHERE APPLICABLE MUST REMAIN WITHIN DIMENSIONS	DIMENSION STYLE MM ONLY DRAWN BY SKRAJENDRANA 2016/12/15 CHECKED BY VKOSHY 2016/12/15 APPROVED BY VKOSHY 2017/03/03 MATERIAL NO. SEE BOM TABLE SIZE D	SCALE 1:1 DESIGN UNITS METRIC THIRD ANGLE PROJECTION TITLE ICD - MX123 18/49/56CKT INTERFACE CONNECTION DRW MOLEX DOCUMENT NO. SD-34576-0001 SHEET NO. 18 OF 22
	<b>molex</b>			
	THIS DRAWING CONTAINS INFORMATION THAT IS PROPRIETARY TO MOLEX INCORPORATED AND SHOULD NOT BE USED WITHOUT WRITTEN PERMISSION			



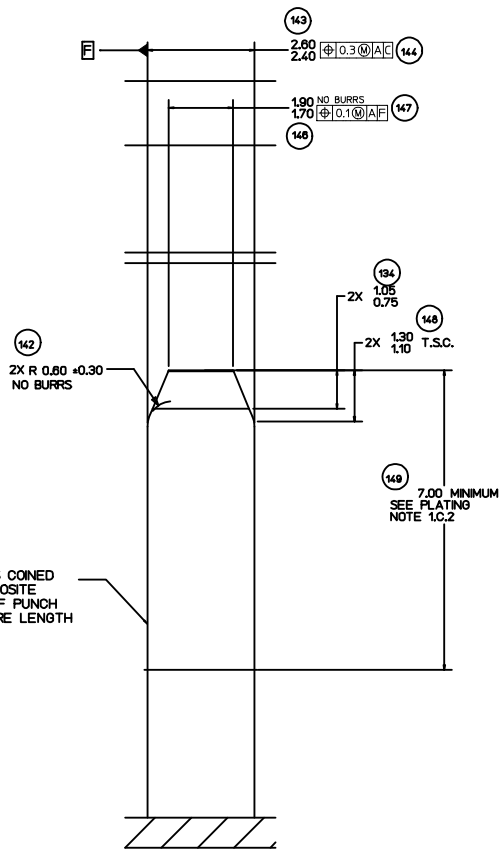
<b>ENTER DESCRIPTION</b> IEC NO: UAU2017-0870 DRAWN: CHTALIA 2017/03/27 CHKD: APPR: VKOSHY 2017/03/29	QUALITY SYMBOLS	GENERAL TOLERANCES (UNLESS SPECIFIED):	DIMENSION STYLE	SCALE	DESIGN UNITS	THIRD ANGLE PROJECTION
	▽=0	mm	MM ONLY	1:1	METRIC	☉
	▽=0	INCH	4 PLACES ± ---	DRAWN BY	DATE	TITLE
	▽=0	ANGULAR ± 1°	SKRAJENDRANA 2016/12/15	SKRAJENDRANA 2016/12/15	ICD - MX123 18/49/56CKT	
▽=0	DRAFT WHERE APPLICABLE MUST REMAIN WITHIN DIMENSIONS	3 PLACES ± ---	CHECKED BY	DATE	INTERFACE CONNECTION DRW	<b>molex</b> DOCUMENT NO. SD-34576-0001 SHEET NO. 19 OF 22
▽=0	SEE BOM TABLE	2 PLACES ± 0.13	VKOSHY 2016/12/15	MOLEX		
▽=0	SIZE D	1 PLACE ± 0.25	APPROVED BY	DATE	THIS DRAWING CONTAINS INFORMATION THAT IS PROPRIETARY TO MOLEX INCORPORATED AND SHOULD NOT BE USED WITHOUT WRITTEN PERMISSION	
		0 PLACE ± ---	VKOSHY 2017/03/03			



SECTION CC-CC



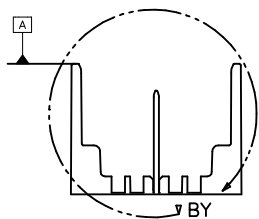
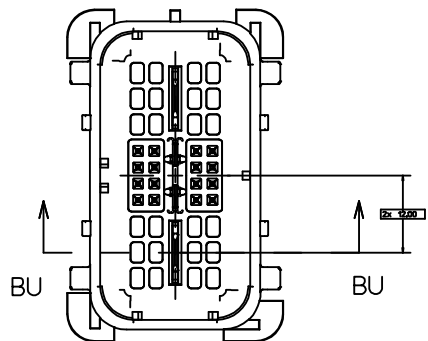
DETAIL DD  
TYPICAL



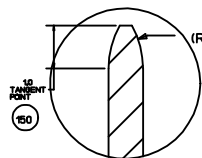
SECTION EE-EE  
TYPICAL

BOTH EDGES COINED  
ON SIDE OPPOSITE  
DIRECTION OF PUNCH  
ALONG ENTIRE LENGTH

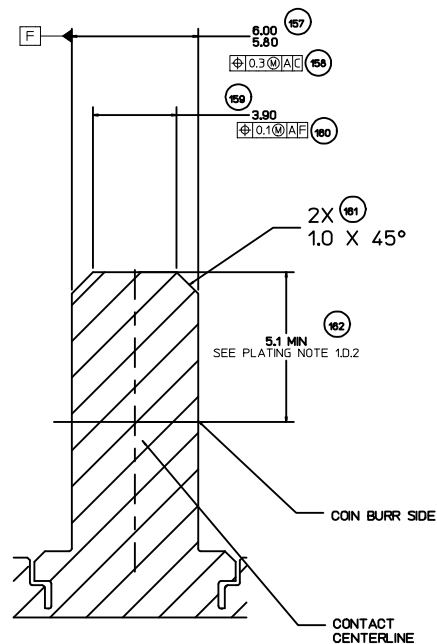
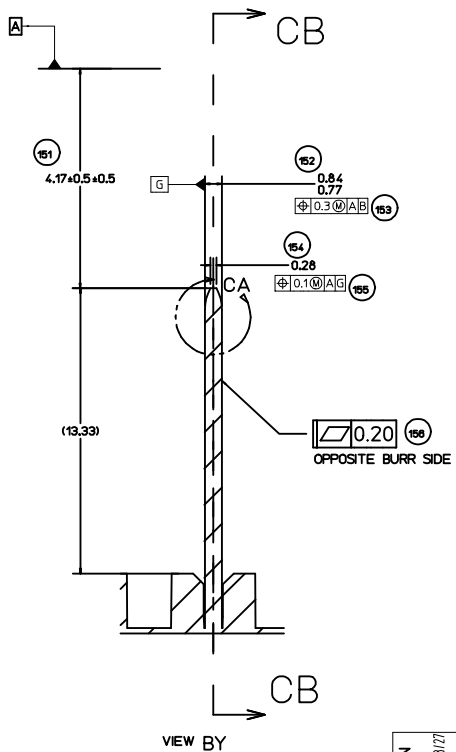
<b>ENTER DESCRIPTION</b> IEC NO: UAU2017-0870 DRAWN: CHITALLA CHKD: APPR: VKOSHY 2017/03/27 2017/03/29	QUALITY SYMBOLS ∇=0 ∇=0 ∇=0		GENERAL TOLERANCES (UNLESS SPECIFIED) mm INCH 4 PLACES ± --- ± --- 3 PLACES ± --- ± --- 2 PLACES ± 0.13 ± --- 1 PLACE ± 0.25 ± --- 0 PLACE ± --- ± ---		DIMENSION STYLE MM ONLY		SCALE 1:1		DESIGN UNITS METRIC		THIRD ANGLE PROJECTION	
	ANGULAR ± 1 °		DRAFT WHERE APPLICABLE MUST REMAIN WITHIN DIMENSIONS		MATERIAL NO. SEE BOM TABLE		DOCUMENT NO. SD-34576-0001		SHEET NO. 20 OF 22		TITLE ICD - MX123 18/49/56CKT INTERFACE CONNECTION DRW MOLEX	
	SIZE D		THIS DRAWING CONTAINS INFORMATION THAT IS PROPRIETARY TO MOLEX INCORPORATED AND SHOULD NOT BE USED WITHOUT WRITTEN PERMISSION									



SECTION BU-BU

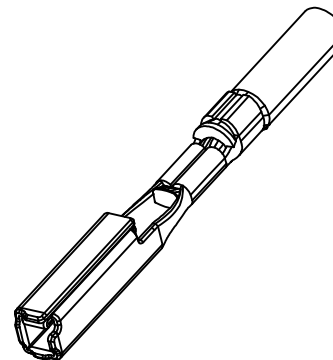
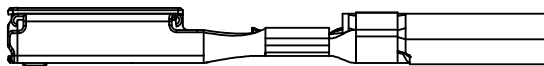


VIEW CA  
SCALE 10:1



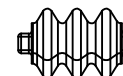
<b>ENTER DESCRIPTION</b> IEC NO: UAU2017-0870 DRAWN: ITALIA 2017/03/27 CHKD: APPR: VKOSHY 2017/03/29 REV:	QUALITY SYMBOLS	GENERAL TOLERANCES (UNLESS SPECIFIED)	DIMENSION STYLE	SCALE	DESIGN UNITS	THIRD ANGLE PROJECTION
	$\nabla=0$ $\nabla=0$ $\nabla=0$	mm INCH 4 PLACES #--- #--- 3 PLACES #--- #--- 2 PLACES #0.13 #--- 1 PLACE #0.25 #--- 0 PLACE #--- #---	MM ONLY	1:1	METRIC	
	MATERIAL NO. SEE BOM TABLE	DATE SKRA JENDRANA 2016/12/15 DATE VKOSHY 2016/12/15 DATE VKOSHY 2017/03/03	TITLE ICD - MX123 18/49/56CKT INTERFACE CONNECTION DRW MOLEX	DOCUMENT NO. SD-34576-0001	SHEET NO. 21 OF 22	
	DRAFT WHERE APPLICABLE MUST REMAIN WITHIN DIMENSIONS	ANGULAR $\pm 1^\circ$ DRAFT WHERE APPLICABLE MUST REMAIN WITHIN DIMENSIONS	THIS DRAWING CONTAINS INFORMATION THAT IS PROPRIETARY TO MOLEX INCORPORATED AND SHOULD NOT BE USED WITHOUT WRITTEN PERMISSION			

MOLEX MX64 RECEPTACLE TERMINAL INFORMATION						
ITEM	MOLEX P/N	WIRE SIZE MM2	TYPE	PLATING	REEL WIND DIRECTION	COMMENTS
1	34736-0025	0.35	ISO	SILVER	LEFT	
2	34736-0026	0.35	ISO	SILVER	RIGHT	
3	34736-0027	0.5 / 0.75	ISO	SILVER	LEFT	
4	34736-0028	0.5 / 0.75	ISO	SILVER	RIGHT	



CAVITY PLUGS								
ITEM	MFG	MFG P/N	SIZE	COLOR	MFG DRAWING	PROD SPEC	APP SPEC	COMMENTS
1	MOLEX	34586-0001	0.64	NATURAL	SD-34586-001	PS-34566-0000	AS-34566-001	
2	YAZAKI	7158-3114-90	2.8	BLUE	7158-3114-90	YPES-11-04-062	YPES-15-299	

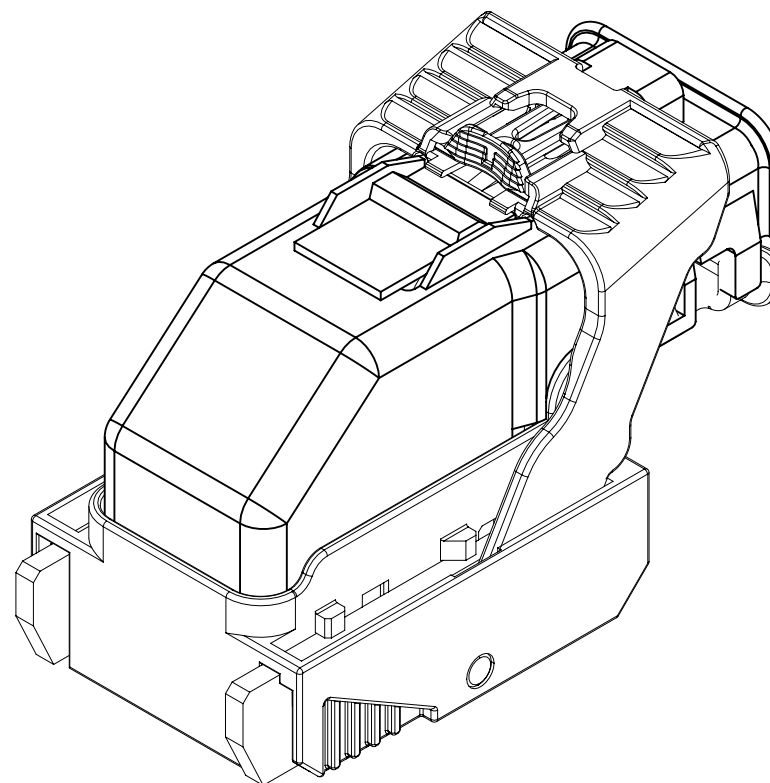
ITEM 1




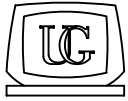
ITEM 2

ENTER DESCRIPTION EEC NO: UAU2017-0870 DRAWN: ITALIA 2017/03/27 CHKD: APPR: VKOSHY 2017/03/29 REV DESCRIPTION	QUALITY SYMBOLS	GENERAL TOLERANCES (UNLESS SPECIFIED)	DIMENSION STYLE	SCALE	DESIGN UNITS	THIRD ANGLE PROJECTION
	▽=0	mm INCH	MM ONLY	1:1	METRIC	☉
	▽=0	4 PLACES ± --- ± ---	DRAWN BY SKRA JENDRANA	DATE 2016/12/15	TITLE ICD - MX123 18/49/56CKT	
	▽=0	3 PLACES ± --- ± ---	CHECKED BY VKOSHY	DATE 2016/12/15	INTERFACE CONNECTION DRW	
	ANGULAR ± 1 °	DRAFT WHERE APPLICABLE MUST REMAIN WITHIN DIMENSIONS	MATERIAL NO.	SEE BOM TABLE	DOCUMENT NO. SD-34576-0001	SHEET NO. 22 OF 22
THIS DRAWING CONTAINS INFORMATION THAT IS PROPRIETARY TO MOLEX INCORPORATED AND SHOULD NOT BE USED WITHOUT WRITTEN PERMISSION						

INDEX	
PAGE TITLE	PAGE
TITLE BLOCK	1
REVISION BLOCK	2
PART BLOCK	3
KPC BLOCK	4
COMPONENT TABLE	5
NOTES	6
NOTES	7
WIRE DRESS PACKAGING DIMENSIONS	8
LOCATION AND PACKAGING DIMENSIONS REFERENCING INTERFACE DATUMS B & C	9
LOCATION AND PACKAGING DIMENSIONS REFERENCING INTERFACE DATUM A	10
KEY ID REF - WIRE DRESS OPTION 0	11
KEY ID REF - WIRE DRESS OPTION 9	12
CIRCUIT CONFIGURATIONS	13
CIRCUIT CONFIGURATIONS	14
COMPONENT CONNECTOR INTERFACE	15
COMPONENT CONNECTOR INTERFACE	16
COMPONENT CONNECTOR INTERFACE	17
COMPONENT CONNECTOR INTERFACE	18
COMPONENT CONNECTOR INTERFACE	19
COMPONENT CONNECTOR INTERFACE	20
COMPONENT CONNECTOR INTERFACE	21
COMPONENT CONNECTOR INTERFACE	22



ISO VIEW

	THIS DOCUMENT IS IN ACCORDANCE WITH ASME Y14.5M-1994 AS AMENDED BY THE GM GLOBAL DIMENSIONING AND TOLERANCING ADDENDUM - 2004.			DATE	
	 CHANGE RESTRICTED NO MANUAL CHANGES	REFERENCE 12H (MOLEX AUTOMOTIVE)	DRAFTER D. KOEHLER	28AP15	
DO NOT SCALE	APVD1 M.R. OOSTERINK		29AP15		
	METRIC DIMENSIONS SHOWN IN MILLIMETERS UNLESS OTHERWISE SPECIFIED	DRAWING NAME HARNESS CONN ASM-SEALED 18/49/56 CKTS, MX123	APVD2 J. SWARTZ	29AP15	
APVD3 G. FLECK			08MY15		
APVD4 APVD5					
	DRAWING NUMBER 12642694	DWG STATUS		PAGE NUMBER	
		ST R	REV 001	PDI 	1 of 22

PAGE	DWG STATUS					REVISION HISTORY	AUTH	DR	CK	ENG
	DATE	ST	REV	CHG	PDI					

PAGE	DWG STATUS					REVISION HISTORY	AUTH	DR	CK	ENG
	DATE	ST	REV	CHG	PDI					
	08MY15	R	001			RELEASED TO PRODUCTION AT DLS A	CRMRJD	DFK	MRO	GF





KEY PRODUCT CHARACTERISTICS  
(IN ACCORDANCE WITH QN 1805 OR ON 1050)



SAFETY/COMPLIANCE

TOTAL ON  
DRAWING

5



FIT/FUNCTION

LAST NO.  
USED

5

NO	TYPE	DESCRIPTION	RATIONALE	PAGE/ZONE
1	F/F	32.68	IMPROVE CONNECTOR SYSTEM MATING	16
2	F/F	29.00	INSURE PROPER RELEASE OF LEVER	16
3	F/F	15.25	INSURE FINAL MATE POSITION	17
5	F/F	POSITIONAL TOLERANCE (2 PLACES)	INSURE CONNECTOR SYSTEM MATIBILITY	20



PAGE TITLE  
KPC BLOCK

DRAWING NUMBER

12642694

DWG STATUS

ST	REV	PD1
----	-----	-----


R	001	
---	-----	--

PAGE NUMBER

4 OF 22

P. No	MFG.	MFG. P/N	GM P/N	Effective Date	APPLICABLE COMPONENTS	Key Option	Wire Dress Option	Key Config.	Color	Status
					DESCRIPTION					
1	Molex	34575-0003	12582679	02JN03	WIRE HARNESS COVER	N/A	NA	N/A	BLACK	AVAILABLE
2	Molex	34576-0103	12666118	31JL15	HARN CONN ASM 49 CKT	A	0	1458	BLACK	ACTIVE
3	Molex	34576-0203	12650786	T.B.D.	HARN CONN ASM 49 CKT	B	0	1468	ST GRAY	NOT ACTIVE
4	Molex	34576-0303	12666120	31JL15	HARN CONN ASM 49 CKT	C	0	2467	BLUE	ACTIVE
5	Molex	34576-0403	12615660	T.B.D.	HARN CONN ASM 49 CKT	D	0	2367	BROWN	NOT ACTIVE
6	Molex	34576-0503	12615661	T.B.D.	HARN CONN ASM 49 CKT	E	0	2468	GREEN	NOT ACTIVE
7	Molex	34576-0603	12615662	T.B.D.	HARN CONN ASM 49 CKT	F	0	1357	NATURAL	NOT ACTIVE
8	Molex	34576-0703	12582680	11JN04	HARN CONN ASM 56 CKT	G	0	1358	BLUE	AVAILABLE
9	Molex	34576-0803	12582681	11JN04	HARN CONN ASM 56 CKT	H	0	2458	ST GRAY	AVAILABLE
10	Molex	34576-0903	12615658	T.B.D.	HARN CONN ASM 56 CKT	J	0	2457	BLACK	NOT ACTIVE
11	Molex	34576-1003	AVA77166	T.B.D.	HARN CONN ASM 56 CKT	K	0	2357	BROWN	NOT ACTIVE
12	Molex	34576-1103	AVA77167	T.B.D.	HARN CONN ASM 56 CKT	L	0	2368	GREEN	NOT ACTIVE
13	Molex	34576-1203	AVA77168	T.B.D.	HARN CONN ASM 56 CKT	M	0	2358	NATURAL	NOT ACTIVE
14	Molex	34576-1303	12666119	31JL15	HARN CONN ASM 49 CKT	A	9	1458	BLACK	ACTIVE
15	Molex	34576-1403	12650787	T.B.D.	HARN CONN ASM 49 CKT	B	9	1468	ST GRAY	NOT ACTIVE
16	Molex	34576-1503	12666121	31JL15	HARN CONN ASM 49 CKT	C	9	2467	BLUE	ACTIVE
17	Molex	34576-1603	12615663	T.B.D.	HARN CONN ASM 49 CKT	D	9	2367	BROWN	NOT ACTIVE
18	Molex	34576-1703	12615664	T.B.D.	HARN CONN ASM 49 CKT	E	9	2468	GREEN	NOT ACTIVE
19	Molex	34576-1803	12615665	T.B.D.	HARN CONN ASM 49 CKT	F	9	1357	NATURAL	NOT ACTIVE
20	Molex	34576-1903	12603600	11JN04	HARN CONN ASM 56 CKT	G	9	1358	BLUE	AVAILABLE
21	Molex	34576-2003	12603601	T.B.D.	HARN CONN ASM 56 CKT	H	9	2458	ST GRAY	NOT ACTIVE
22	Molex	34576-2103	12615659	T.B.D.	HARN CONN ASM 56 CKT	J	9	2457	BLACK	NOT ACTIVE
23	Molex	34576-2203	AVA77192	T.B.D.	HARN CONN ASM 56 CKT	K	9	2357	BROWN	NOT ACTIVE
24	Molex	34576-2303	AVA77193	T.B.D.	HARN CONN ASM 56 CKT	L	9	2368	GREEN	NOT ACTIVE
25	Molex	34576-2403	AVA77143	T.B.D.	HARN CONN ASM 56 CKT	M	9	2358	NATURAL	NOT ACTIVE
26	Molex	34851-0007	12644156	31AU15	HARN CONN ASM 18 CKT	G	0	1358	BLUE	ACTIVE
27	Molex	34851-0008	12644158	31AU15	HARN CONN ASM 18 CKT	H	0	2458	ST GRAY	ACTIVE
28	Molex	34851-0019	12644157	31AU15	HARN CONN ASM 18 CKT	G	9	1358	BLUE	ACTIVE
29	Molex	34851-0020	12644159	31AU15	HARN CONN ASM 18 CKT	H	9	2458	ST GRAY	ACTIVE
30	Molex	34736-2002	12642697	01AU10	MX64 RCPT TERM Ag 18/20 GAGE B (RIGHT PAYOFF)	N/A	N/A	N/A	N/A	AVAILABLE
31	Molex	34736-2001	12642696	01AU10	MX64 RCPT TERM Ag 22 GAGE B (RIGHT PAYOFF)	N/A	N/A	N/A	N/A	AVAILABLE
32	Molex	34586-0001	T.B.D.	11JN04	MX123 0.64MM GROMMET PLUG	N/A	N/A	N/A	NATURAL	AVAILABLE
33	Yazaki	7116-4150-02	12588066	02JN03	2.8mm YESC SEALED FEMALE TERMINAL TIN 20/22 GAGE (CABLE RANGE 0.30mm-0.60mm)	N/A	N/A	N/A	N/A	NOT ACTIVE
34	Yazaki	7116-4151-02	12588067	02JN03	2.8mm YESC SEALED FEMALE TERMINAL TIN 16/18 GAGE (CABLE RANGE 0.75mm-1.40mm)	N/A	N/A	N/A	N/A	NOT ACTIVE
35	Yazaki	7116-4152-02	12582685	02JN03	2.8mm YESC SEALED FEMALE TERMINAL TIN 14 GAGE (CABLE RANGE 1.50mm-2.50mm)	N/A	N/A	N/A	N/A	AVAILABLE
36	Yazaki	7158-3111-60	12588068	02JN03	2.8mm CABLE SEAL (wire O.D. range 1.20mm-1.90mm)	N/A	N/A	N/A	GREEN	NOT ACTIVE
37	Yazaki	7158-3112-70	12588069	02JN03	2.8mm CABLE SEAL (wire O.D. range 1.80mm-2.30mm)	N/A	N/A	N/A	YELLOW	NOT ACTIVE
38	Yazaki	7158-3113-40	12582686	02JN03	2.8mm CABLE SEAL (wire O.D. range 2.18mm-3.00mm)	N/A	N/A	N/A	WHITE	AVAILABLE
39	Yazaki	7158-3114-90	T.B.D.	02JN03	2.8mm YESC CAVITY PLUG	N/A	N/A	N/A	BLUE	AVAILABLE
40	FCI	33140138	12646399	10JA14	6.35mm APEX RCPT TERM Sn/Ag GRIP CODE-10 (6mm2) - Greased	N/A	N/A	N/A	N/A	AVAILABLE
41	FCI	33140135	12654556	10JA14	6.35mm APEX RCPT TERM Sn/Ag GRIP CODE-TBD (1mm2) - Greased	N/A	N/A	N/A	N/A	AVAILABLE
42	QSR	A-0549C	12646688	01SE14	6.35mm CABLE SEAL (FOR 6.0mm2 WIRE SIZE - 3.6 TO 4.2mm INSULATION OD)	N/A	N/A	N/A	WHITE	AVAILABLE
43	QSR	A-0549B	12654557	01SE14	6.35mm CABLE SEAL (FOR 0.75-1.25mm2 WIRE SIZE - 1.8 TO 2.3mm INSULATION OD)	N/A	N/A	N/A	BLUE	AVAILABLE
44	Molex	63811-4200	XX019825	02JN03	MX64 TERM HAND CRIMP TOOL	N/A	N/A	N/A	N/A	AVAILABLE
45	Molex	63813-1400	XX019826	02JN03	MX64 TERM SERVICE TOOL	N/A	N/A	N/A	N/A	AVAILABLE
46	Molex	63865-8000	XX019827	02JN03	MX64 CRIMP APPLICATOR with TOOL KIT 18/20 GAGE PAYOFF DIRECTION D (left payoff) (contact Molex for payoff detail)	N/A	N/A	N/A	N/A	AVAILABLE
47	Molex	63865-8070	XX019828	02JN03	MX64 APPLICATOR TOOL KIT 18/20 GAGE	N/A	N/A	N/A	N/A	AVAILABLE
48	Molex	63865-8100	XX019829	02JN03	MX64 CRIMP APPLICATOR with TOOL KIT 22 GAGE PAYOFF DIRECTION D (left payoff) (contact Molex for payoff detail)	N/A	N/A	N/A	N/A	AVAILABLE
49	Molex	63865-8170	XX019830	02JN03	MX64 APPLICATOR TOOL KIT 22 GAGE	N/A	N/A	N/A	N/A	AVAILABLE
50	SPX	J35616-64	T.B.D.	02JN03	0.64mm PROBE TOOL (for rcpt)	N/A	N/A	N/A	N/A	AVAILABLE
51	SPX	J35616-64A	T.B.D.	02JN03	0.64mm PROBE TOOL WITH EXT (for rcpt)	N/A	N/A	N/A	N/A	AVAILABLE
52	SPX	J35616-65	T.B.D.	02JN03	0.64mm PROBE TOOL WITH EXT (for pin)	N/A	N/A	N/A	N/A	AVAILABLE
53	SPX	J35616-4A	T.B.D.	02JN03	2.8mm PROBE TOOL (for rcpt)	N/A	N/A	N/A	N/A	AVAILABLE
54	YAZAKI	X39899-J374	12094430	02JN03	2.8mm TERM SERVICE TOOL	N/A	N/A	N/A	N/A	AVAILABLE
55	TQ1	7000-1001	N/A	01FE15	18CKT PASS THROUGH ADAPTERS	N/A	N/A	N/A	BLACK	AVAILABLE
56	TQ1	7000-1004	N/A	01FE15	49CKT PASS THROUGH ADAPTERS	N/A	N/A	N/A	BLACK	AVAILABLE
57	TQ1	79917-0060	N/A	02JA08	56CKT PASS THROUGH ADAPTERS	N/A	N/A	N/A	BLACK	AVAILABLE
58	Molex	63813-1500	J-38125-217	01SE14	6.35mm APEX TERM SERVICE TOOL	N/A	N/A	N/A	N/A	AVAILABLE

\* MX123 WIRE HARNESS COVER MATES TO ANY 18/49/56 CKT MX123 HARN CONN ASSY SHOWN ON THIS TABLE

	PAGE TITLE	DRAWING NUMBER	DWG STATUS			PAGE NUMBER
	COMPONENT TABLE	12642694	ST	REV	PDI	5 of 22
			R	001		

NOTES: UNLESS OTHERWISE SPECIFIED

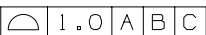
1. MATERIAL FOR INTERFACE:

- A. RESIN:
  - 1. 30% G.F. PBT; 20% MAX. (BY WEIGHT) REGRIND.
  - 2. MATING CONNECTOR INTERFACE PART COLOR MUST BE SAME AS MATCHING KEYED HARNESS CONNECTOR ASSEMBLY.
  - 3. MUST BE VALIDATED FOR INDIVIDUAL DEVICE APPLICATION REQUIREMENTS.
- B. 0.64MM PINS:
  - 1. BASE MATERIAL: COPPER ALLOY; CONDUCTIVITY  $\geq$  28% IACS AT 20°C; TENSILE STRENGTH  $\geq$  635 N/mm<sup>2</sup>; SURFACE ROUGHNESS R<sub>a</sub> 6 MAX.
  - 2. PLATING FINISH: SILVER (Ag). PLATING TO BE 1.9-3.3  $\mu$ m ELECTRODEPOSITED SEMI-BRIGHT SILVER OVER 1.25-2.25  $\mu$ m DUCTILE SULPHAMATE NICKEL PER NOTE 1(D).
  - 3. ANTI-TARNISH: SYNTHETIC HYDROCARBON CONTACT SURFACE FINISH OR EQUIVALENT APPLIED WITHOUT VOID TO CONTACT AREA (MIN 3.7mm FROM PIN TIP).
- C. 2.8MM BLADE:
  - 1. BASE MATERIAL: COPPER ALLOY; CONDUCTIVITY  $\geq$  28% IACS AT 20°C; TENSILE STRENGTH  $\geq$  350 N/mm<sup>2</sup>; SURFACE ROUGHNESS R<sub>a</sub> 6 MAX.
  - 2. PLATING FINISH: TIN. PLATING TO BE 2.5-5.0  $\mu$ m ELECTRODEPOSITED TIN, MATTE FINISH OVER 1.25-2.5  $\mu$ m DUCTILE SULPHAMATE NICKEL PER NOTE 1(D).
- D. 6.3MM BLADE:
  - 1. BASE MATERIAL: COPPER ALLOY; CONDUCTIVITY  $\geq$  50% IACS AT 20°C;
  - 2. PLATING FINISH: SILVER (Ag) PLATING TO BE 1.9-3.3  $\mu$ m ELECTRODEPOSITED SEMI-BRIGHT SILVER, OVER 1.25-2.5  $\mu$ m DUCTILE SULPHAMATE NICKEL PER NOTE 1(D) WITH ENVIRONMENTAL BARRIER OR TIN/SILVER (ELECTRO-DEPOSITED), UNDERPLATE 0.5-2.0  $\mu$ m NICKEL OR COPPER. TOP PLATING: 1.0-3.0  $\mu$ m (SILVER RANGE 3.75-X.XX NO ANTI-TARNISH COATING REQUIRED).

E. PLATING REQUIREMENTS:


- 1. SILVER PLATING
  - a. 99.5% PURE SEMI-BRIGHT WITH NO ORGANIC BRIGHTNERS OR CHROMATES.
- 2. NICKEL PLATING
  - a. ELECTRODEPOSITED DUCTILE SULFAMATE NICKEL WITH A NON-BRIGHTENED FINISH. NO ORGANIC OR BRIGHTENING AGENTS SHALL BE ALLOWED.
  - b. SHALL ONLY BE USED AS AN UNDERLYING PLATING AND MAY NOT BE USED AS AN ELECTRICAL CONTACT SURFACE PLATING.
  - c. SHALL BE NODULE FREE WHEN VIEWED AT 10X MAGNIFICATION IN MEASURED IN CONTACT SURFACE AREA PLUS 0.5MM PERIMETER AROUND THE CONTACT SURFACE AREA.
  - d. ALL PLATINGS SHALL HAVE A 1.0% MAXIMUM BY WEIGHT IMPURITIES. IMPURITIES ARE DEFINED AS ALL ELEMENTS NOT THE PRIMARY PLATING OR HARDENING AGENT IF APPLICABLE, AS DETERMINED BY WET CHEMICAL ANALYSIS OR AUGER METHOD. NO SINGLE IMPURITY SHALL EXCEED 0.1% MAXIMUM BY WEIGHT.
- 3. TESTING
  - a. THICKNESS TO BE MEASURED IN CONTACT SURFACE AREA PLUS 0.5MM PERIMETER AROUND THE CONTACT SURFACE AREA AS DESIGNATED IN THE DRAWING. THICKNESS SHALL BE DETERMINED BY METHOD OF X-RAY (XRF).
  - b. PLATING ADHESION SHALL BE TESTED BY A BEND TEST FOR ALL METALS. THE TEST SAMPLE SHALL BE BENT 90 DEGREES TO DETERMINE DEPOSIT ADHESION. TESTING SHALL BE COMPLETED IN ACCORDANCE WITH ASTM SPEC B571.

2. DESIGN - GENERAL:

- A. THIS IS A 100% CAD GENERATED PART. THE CAD MATHEMATICAL DATA IS THE MASTER FOR THIS PART. WHERE DIMENSIONS ARE SPECIFIED ON THE DRAWING, THE DRAWING IS THE AUTHORITY FOR DIMENSIONAL VALUES. FOR DIMENSIONAL OR ANY INFORMATION NOT SHOWN ON THIS DRAWING, ANALYZE THE CAD MODEL.
- B. DIMENSIONS OBTAINED FROM THE DIGITAL MODEL ARE BASIC:
  - 1. FOR RELATIONSHIPS BETWEEN FEATURES WHEN ESTABLISHED BY GEOMETRIC TOLERANCES.
  - 2. FOR THE FORM OF A FEATURE WHEN CONTROLLED BY A PROFILE TOLERANCE.
  - 3. FOR THE SIZE, FORM AND/OR RELATIONSHIP BETWEEN FIXED DATUM TARGETS.
- C. DIMENSIONS OBTAINED FROM THE DIGITAL MODEL ARE ROUNDED TO TWO DECIMAL PLACES (PER IEEE/ASTM SI 10-2002)
- D. VIEWS AND SECTIONS ON THIS DRAWING ARE IN ACCORDANCE WITH GM DCS SECTION C3.
- E. THE DIGITAL MODEL MUST CORRESPOND TO THE RELEASE LEVEL SHOWN IN THE PART BLOCK ON THIS DOCUMENT.
- F. TOLERANCES:
  - 1. LINEAR
    - 0.X  $\pm$  0.30
    - 0.XX  $\pm$  0.10
    - 0.XXX  $\pm$  0.10
  - 2. ANGULAR X°  $\pm$  3°
  - 3.  1.0 A B C
- G. MINIMUM WALL THICKNESS REQUIRED: 1.3mm.
- H. CORNERS SHOWN AS SHARP TO BE R 0.2 MAX.
- J. LETTERING SHALL BE 0.15 MAX RAISED IN 0.20 MAX RECESS PAD. THIS INCLUDES MATERIAL CODE, RECYCLING CODE, CAVITY ID AND DATE CODE.
- K-1. PARTS MUST BE FREE OF DISCOLORATION, SALT RESIDUE AND OTHER IMPERFECTIONS THAT AFFECT FIT OR FUNCTION.
- K-2. SCRATCHES OR DENTS NOT TO EXCEED 0.013mm IN DEPTH.
- L. FOLLOWING PRODUCTION CODES TO BE PERMANENTLY MARKED & HUMAN READABLE TO A LETTER HEIGHT OF 1.5  $\pm$  0.5MM X 0.3 MAX DEEP
  - 1. MATERIAL #: XXXXX-XXXX
  - 2. DATE CODE: JJYY (JULIAN DAY, LAST DIGIT OF YEAR)
  - 3. INSPECTION MACHINE CODE + SERIAL #: X\_XXXXX

3. DESIGN - MANUFACTURING:

- A. DRAFT TO BE WITHIN TOLERANCE.
- B. ALLOWABLE FLASH MAX 0.2 HIGH X MAX 0.13 THICK.
- C. ALLOWABLE PARTING LINE MISMATCH 0.2 MAX.
- D. EJECTOR PINS MARK TO BE FLUSH TO 0.25 MAX DEPRESSED.
- E. ALLOWABLE GATE VESTIGE FLUSH TO 0.25 MAX PROTRUSION.
- F. NO EXTERNAL MOLD RELEASE AGENT ALLOWED DURING MANUFACTURING.
- G. STEEL THAT FORMS THE INDICATED SURFACE MUST BE POLISHED WITH A DIAMOND FINISH (SPI A-2) OVER THE FULL PERIPHERY OF THE TOOL. SURFACE MUST HAVE NO MISMATCH.
- H. ANY PROCESS LUBRICANT REMAINING ON THE TERMINAL MUST NOT VARNISH OR DEGRADE IT'S ELECTRICAL PERFORMANCE UP TO A MAXIMUM CLASS AMBIENT TEMPERATURE PER SAE USCAR-2 FOR 1008 HOURS. PROCESS LUBRICANTS SHOULD BE APPROVED BY THE RESPONSIBLE ENGINEER.
- J. OPTIONAL FEATURES PROVIDED FOR AUTOMATION.
- K. PART MUST BE FREE FROM BURRS AND SHARP EDGES, WHICH MIGHT BE DETRIMENTAL TO SATISFACTORY ASSEMBLY, SAFE HANDLING OR FUNCTION OF PART.
- L. PARTS AS DELIVERED TO ASSEMBLY SHALL BE CLEAN AND FREE OF DEBRIS, RESIDUAL ABRASIVE MATERIAL AND CORROSION PRODUCTS ADVERESLY AFFECTING FUNCTION OR APPEARANCE.
- M. RESTRICTED AND REPORTABLE SUBSTANCES FOR PARTS PER GMW3059.

	PAGE TITLE	DRAWING NUMBER	DWG STATUS			PAGE NUMBER	
	NOTES		12642694	ST	REV		PDI
				R	001		

NOTES: UNLESS OTHERWISE SPECIFIED

4. SYSTEM REQUIREMENTS:

- A. HARNESS CONNECTOR IS COMPATIBLE WITH THE FOLLOWING WIRE SIZE NO'S:  
 SAE 14AWG, MEETING SAE J1128  
 SAE 18AWG, MEETING SAE J1128, MAX O.D. OF 2.06 MM  
 SAE 20AWG, MEETING SAE J1128  
 SAE 22AWG, MEETING SAE J1128, MIN O.D. OF 1.47 MM  
 ISO 6mm<sup>2</sup>, FLR2X-A/T-125 PER GM 15626 (FEB 2008)
- B. CABLE TIE SPECIFICATIONS:  
 1. CABLE TIE:  
     TENSILE RATING: 220N / (50lbs) MIN  
     TIE LENGTH: 186mm MIN  
     TIE WIDTH: 4.75mm MAX  
     MATERIAL: NYLON  
 2. INSTALLATION:  
     CABLE TIE TENSION: 190N MIN  
 3. DRESSED WIRE BUNDLE PACKAGING: SEE FIG. 1
- C. WHEN MATED WITH COMPONENT CONNECTOR INTERFACE AND/OR DRESS COVER, HARNESS CONNECTOR SYSTEM CONFORMS TO THE FOLLOWING:  
 1. SAE/USCAR-2, REV: 3 APRIL, 2001; CLASS 3  
 2. FIELD CORRELATED LIFE TEST, SAE/USCAR-20, NOV. 2001  
 3. GMW #3191 AUGUST 22, 2000 (DRAFT); TEMPERATURE CLASS 3 (145°C), SEALING CLASS 1 (HIGH PRESSURE SPRAY), VIBRATION CLASS 2 (ON BODY)  
 4. TPA USER FORCES (FULLY POPULATED WITH TERMINALS)  
     a. REMOVAL FROM LOCK TO PRE-SET: <=120N
- D. WIRE SPECIFICATIONS:  
 1. WIRE SURFACE MUST BE FREE OF SCRATCHES, GROOVES OR DENTS WHERE FUNCTIONAL

5. TERMINAL CURRENT RATINGS:

ALL TESTING DONE IN ACCORDANCE WITH USCAR-2 REV5 SECTION 5.3

- A. MX64 RCPT TERM  
 1. MX64 RCPT TERM Ag 18/20 GAGE CRIMPED TO SAE WIRE SIZE NO.18 AND MATED TO MX123 0.64MM PIN: 11.3 AMPS  
 2. MX64 RCPT TERM Ag 22 GAGE CRIMPED TO SAE WIRE SIZE NO.22 AND MATED TO MX123 0.64MM PIN:8.5 AMPS

WIRE	CURRENT RATING			
	23 deg.C	85 deg.C	105 deg.C	125 deg.C
18AWG	11.3A	11.3A	9.5A	6.6A
20AWG	10.0A	10.0A	8.3A	5.7A
22AWG	8.6A	8.6A	7.1A	5.0A

- B. 2.8MM RCPT TERM  
 1. 2.8MM RCPT TERM TIN 14 GAGE CRIMPED TO SAE WIRE SIZE NO.14 AND MATED TO MX123 2.8MM BLADE: 25.6 AMPS
- C. 6.3MM RCPT TERM - FCI APEX  
 1. 6.3MM RCPT TERM TIN/SILVER CRIMPED TO 6.0MM<sup>2</sup> WIRE AND MATED TO MOLEX 6.3MM<sup>2</sup> BLADE (Sn/Ag PLATED):36A AT 125°C

6. CONTACT MOLEX AUTOMOTIVE FOR AVAILABLE CUSTOM PATTERNS OF CAVITIES OPEN FOR CIRCUITS

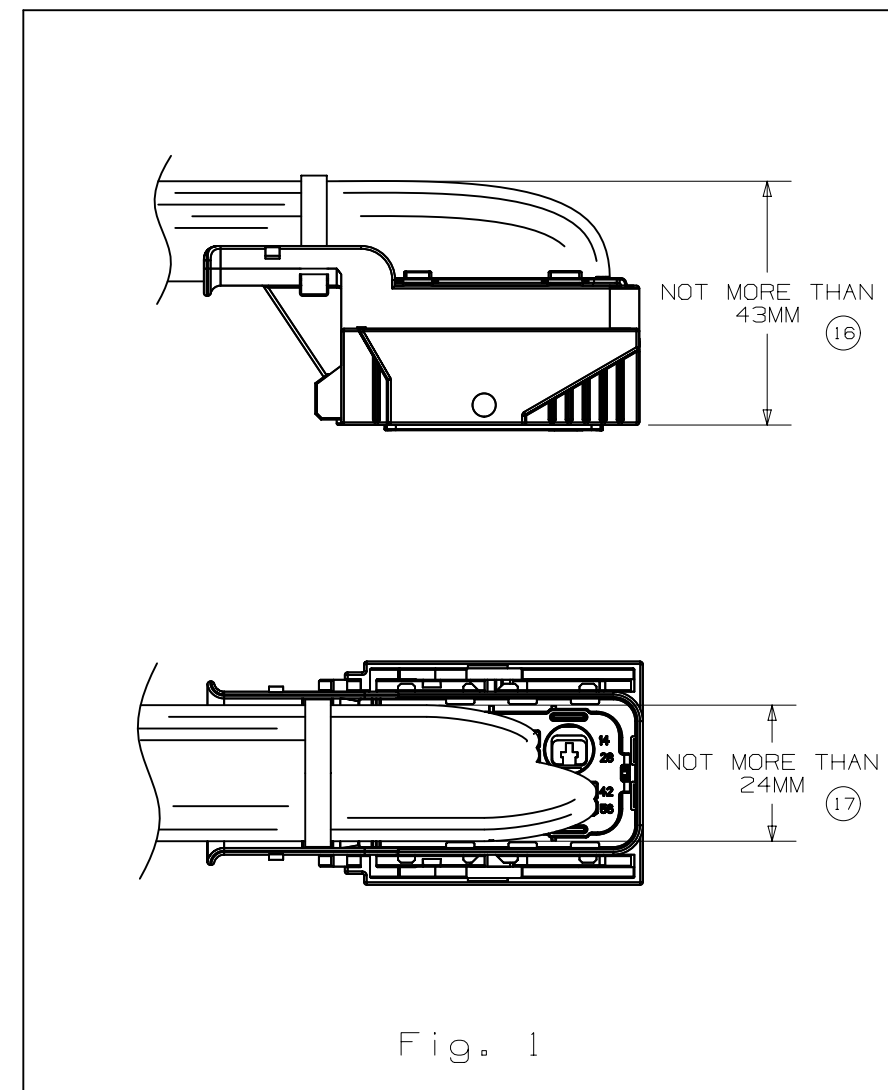
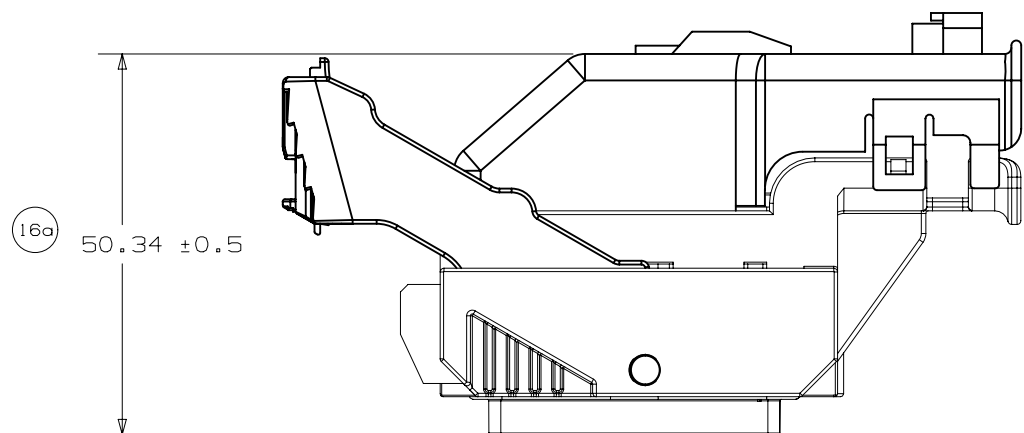


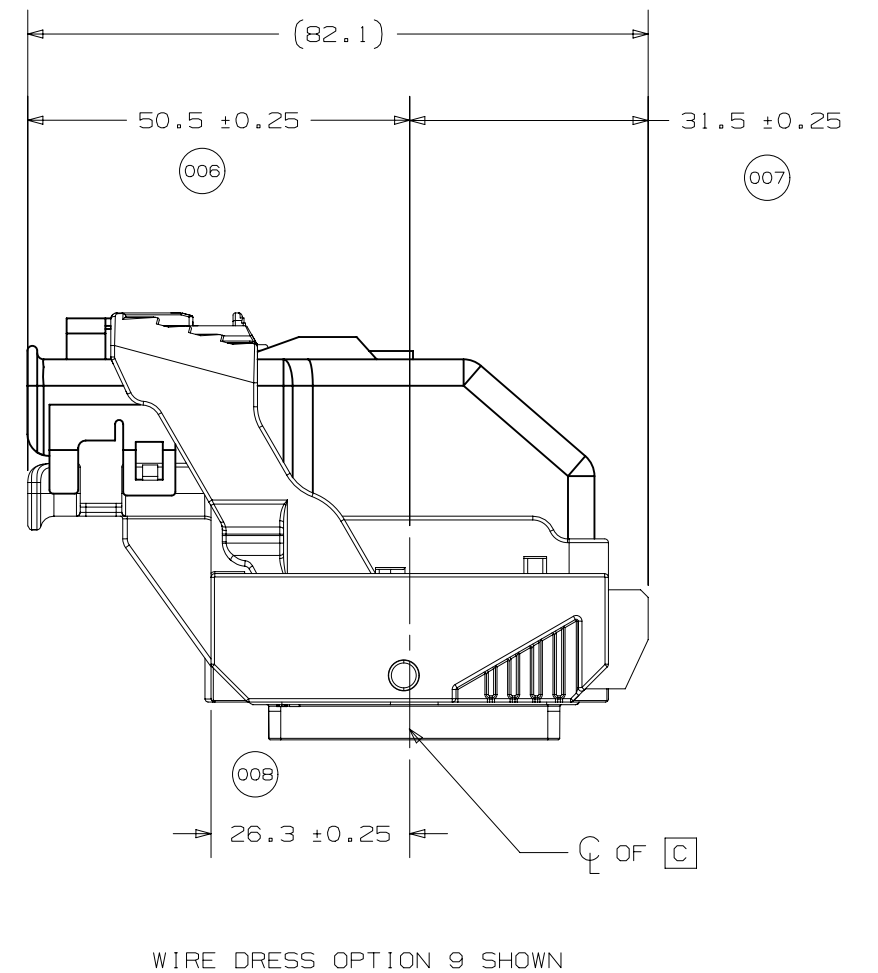
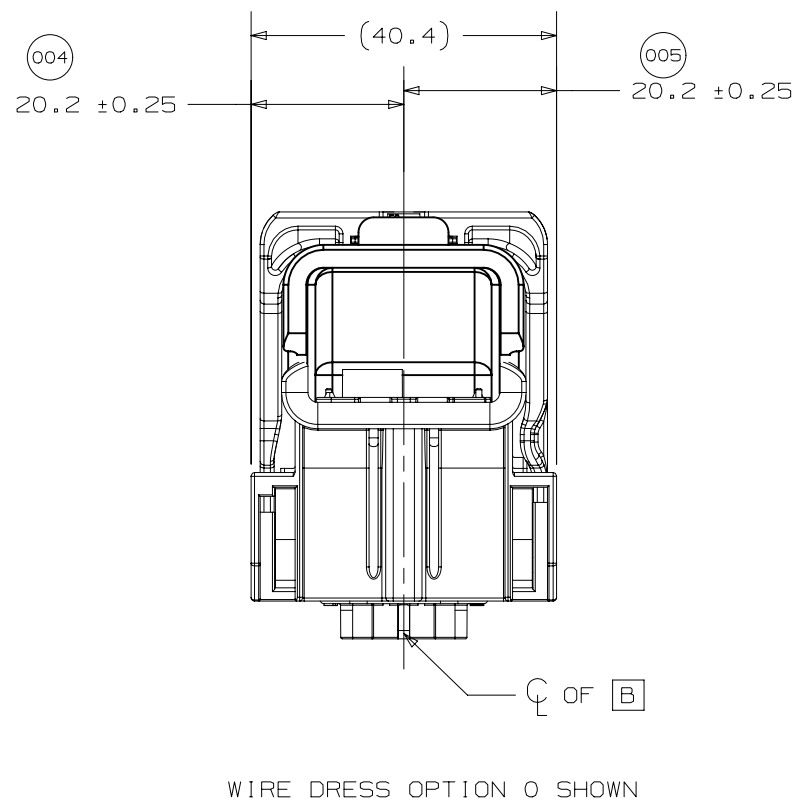
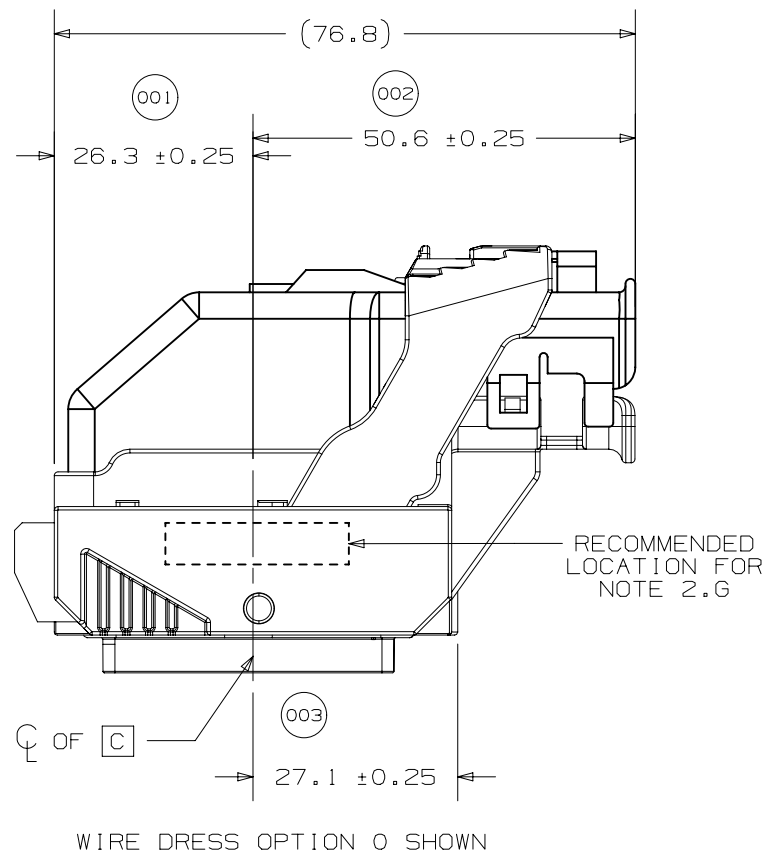
PAGE TITLE  
 NOTES

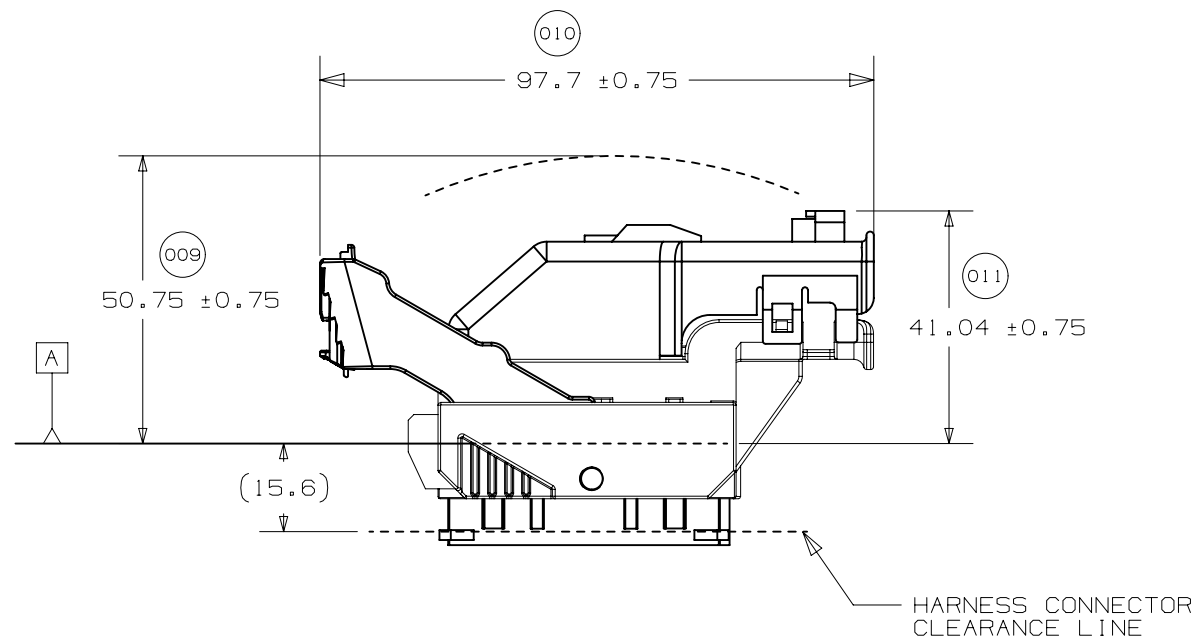
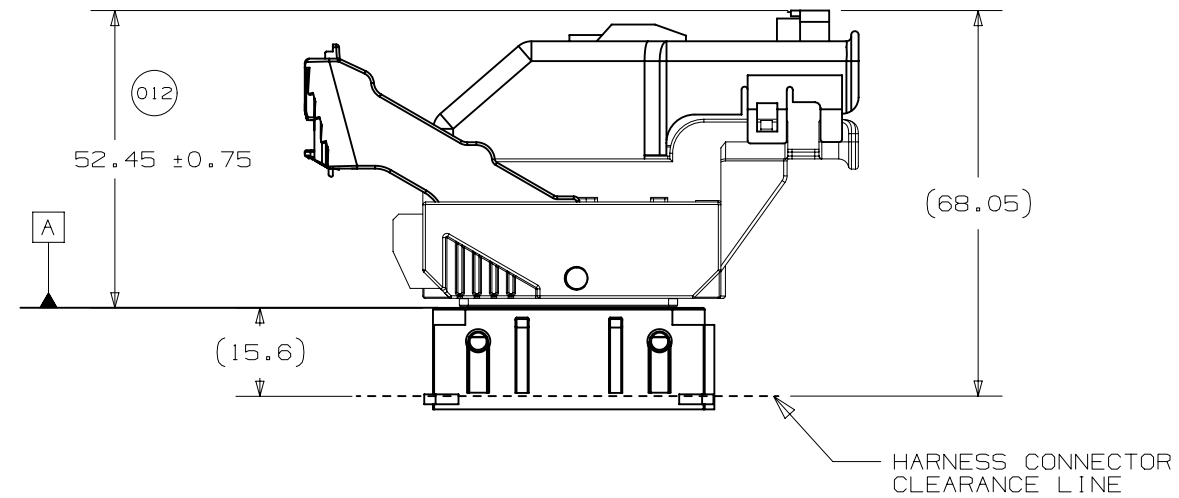
DRAWING NUMBER  
 12642694

DWG STATUS		
ST	REV	PDI
R	001	

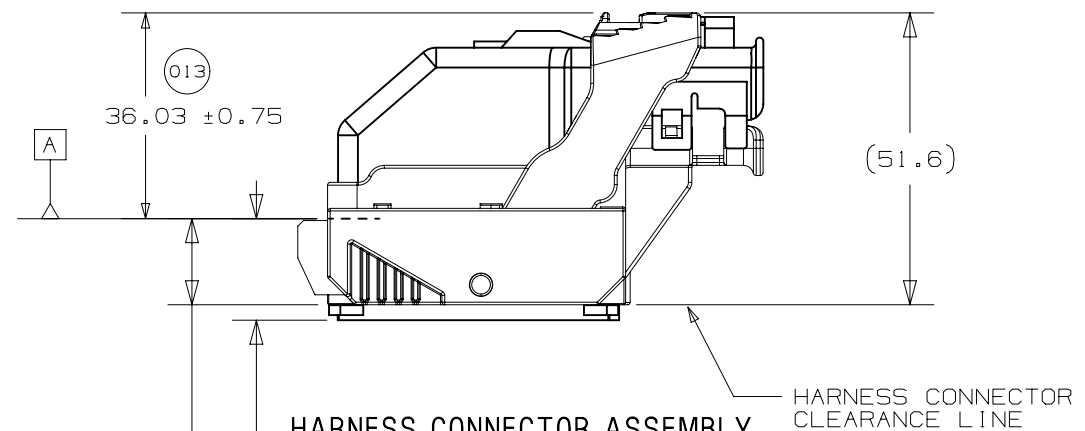
PAGE NUMBER  
 7 of 22







HARNESS CONNECTOR ASSEMBLY  
IN PRE-LOCK POSITION



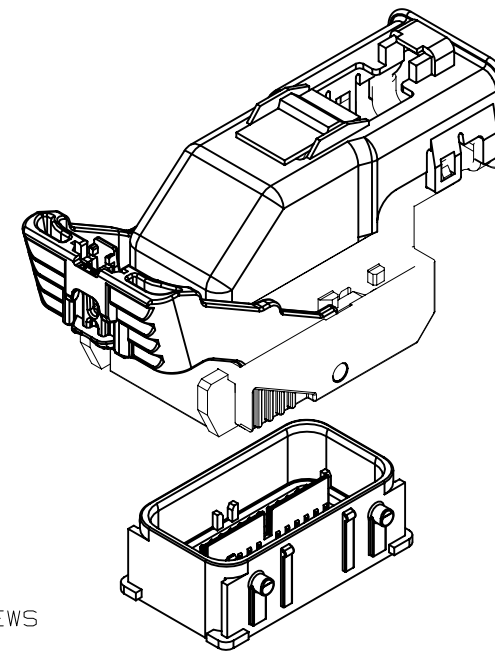
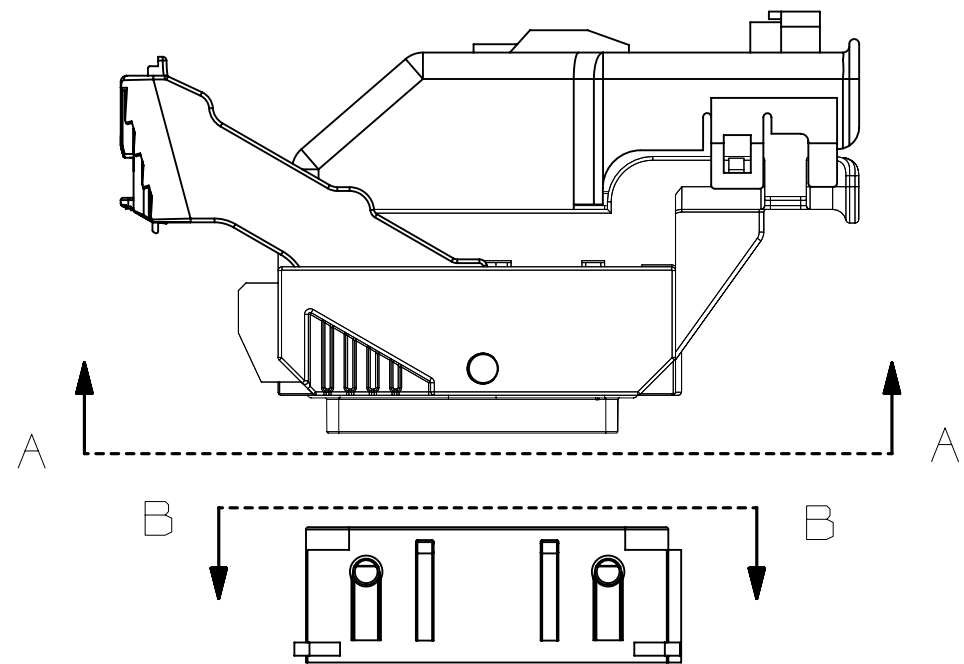
HARNESS CONNECTOR ASSEMBLY  
IN FULLY-MATED POSITION

17.9 MIN. AT PAD LOCATION  
CLEARANCE REQUIRED  
FOR HARNESS CONNECTOR,  
CONSTRUCTION BELOW THIS  
PLANE IS NOT CONTROLLED

15.6 MIN.  
ALL AROUND  
CLEARANCE REQUIRED  
FOR HARNESS CONNECTOR

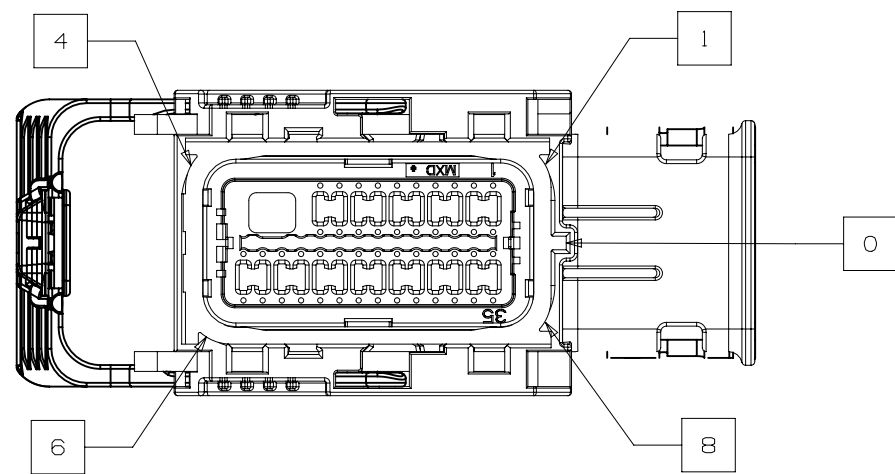




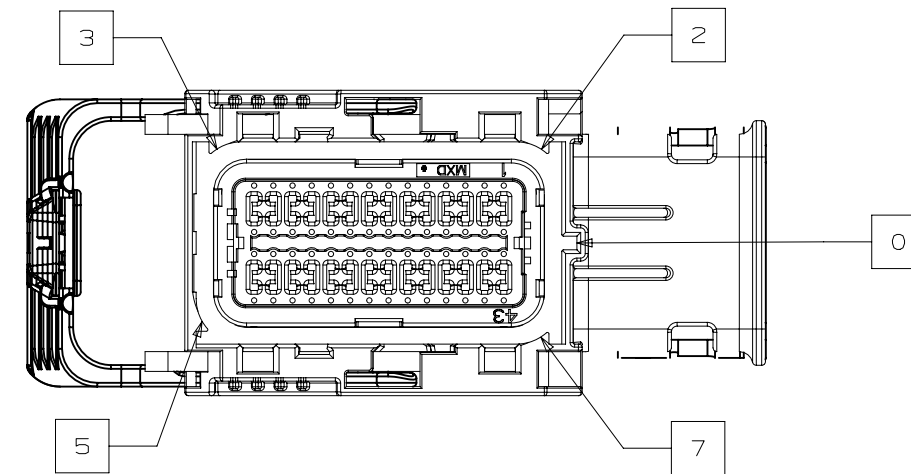


NOTE: REFERENCE THE COMPONENT TABLE FOR KEY OPTIONS AND CONFIGURATIONS

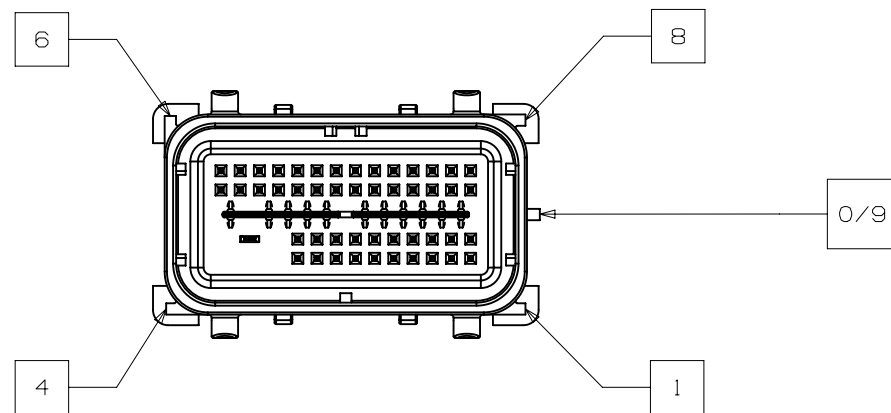
INTERFACE SIDE SHOWN IN ALL SECTION VIEWS



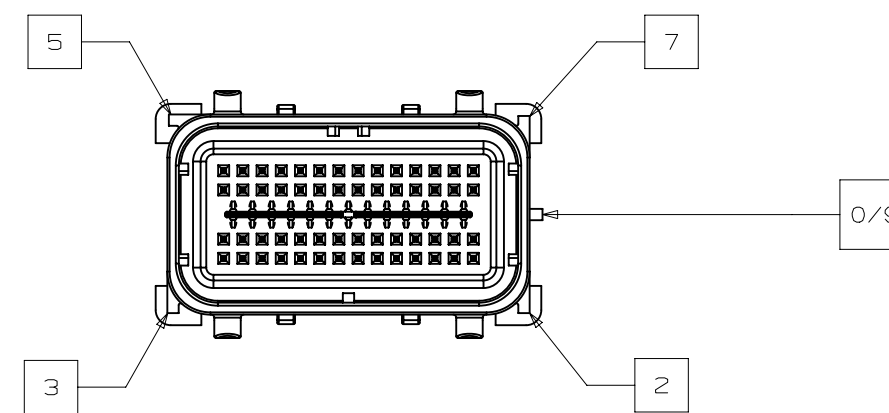
SECTION A-A  
KEY OPTION B SHOWN



SECTION A-A  
KEY OPTION K SHOWN



SECTION B-B  
KEY OPTION B SHOWN



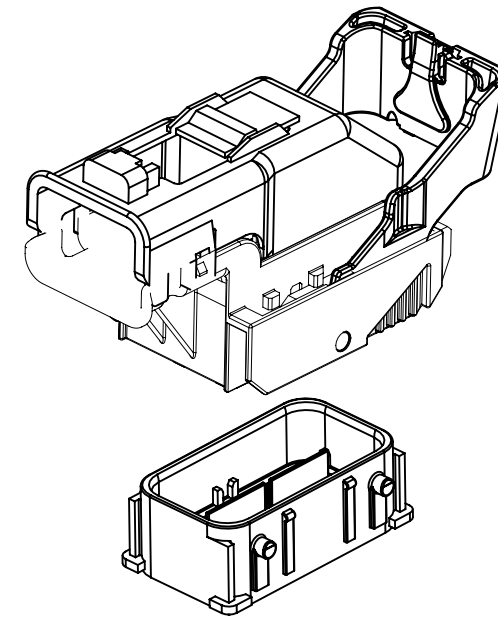
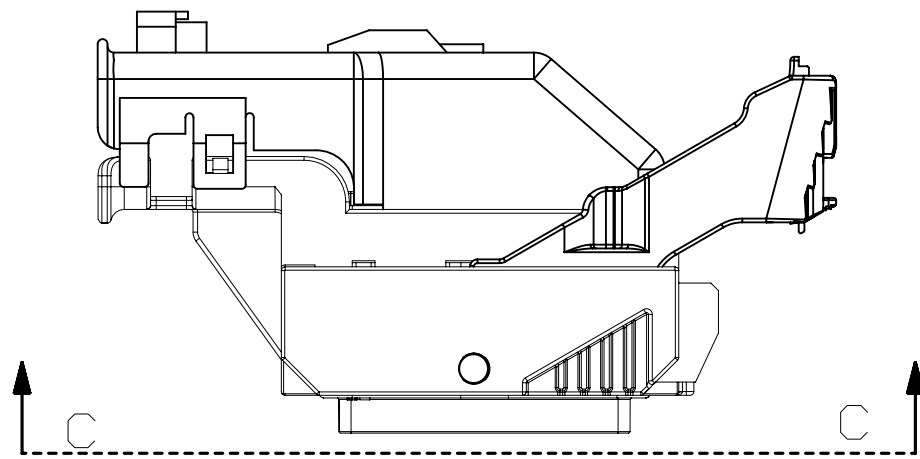
SECTION B-B  
KEY OPTION K SHOWN



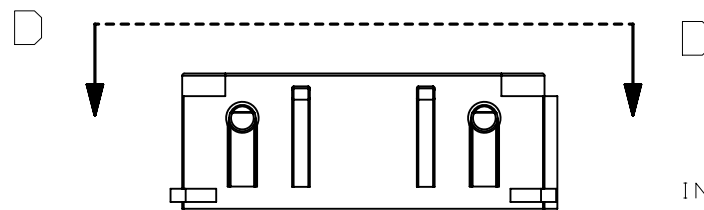
PAGE TITLE  
KEY ID REF - WIRE DRESS OPTION 0

DRAWING NUMBER  
12642694

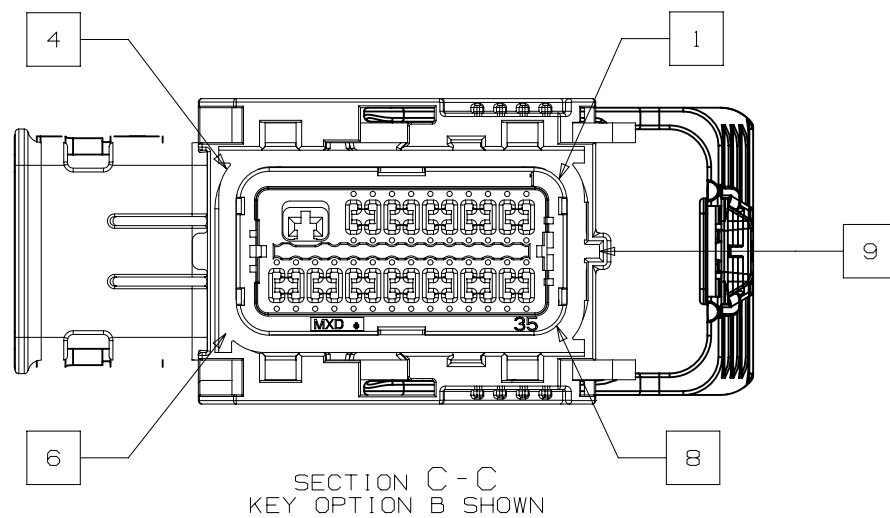
DWG STATUS			PAGE NUMBER	
ST	REV	PD1	11	OF 22
R	001			



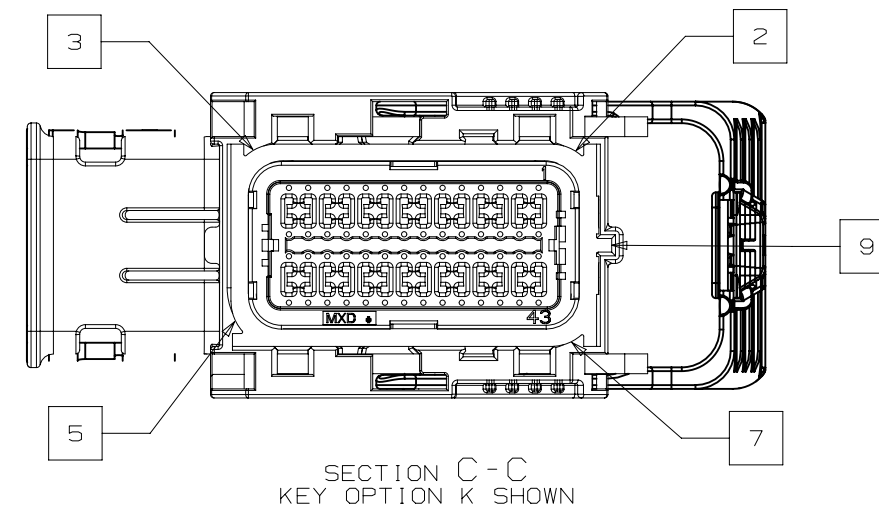
NOTE: REFERENCE THE COMPONENT TABLE FOR KEY OPTIONS AND CONFIGURATIONS



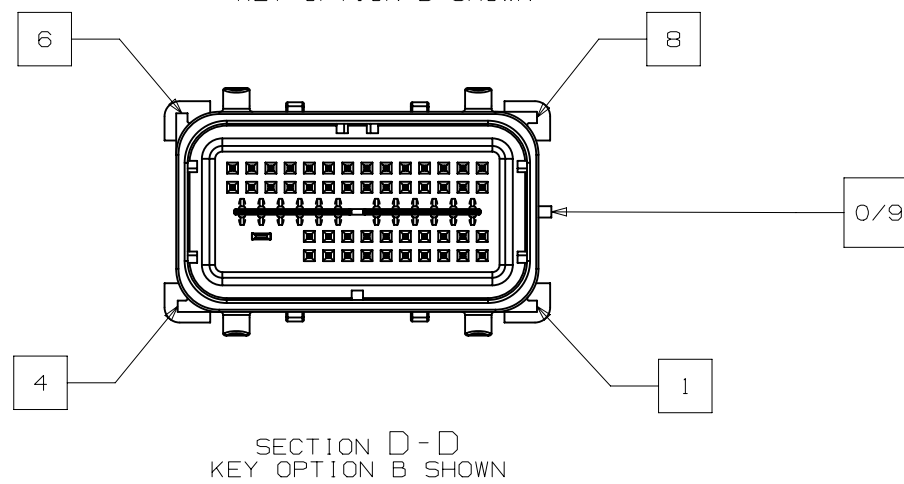
INTERFACE SIDE SHOWN ON ALL SECTION VIEWS



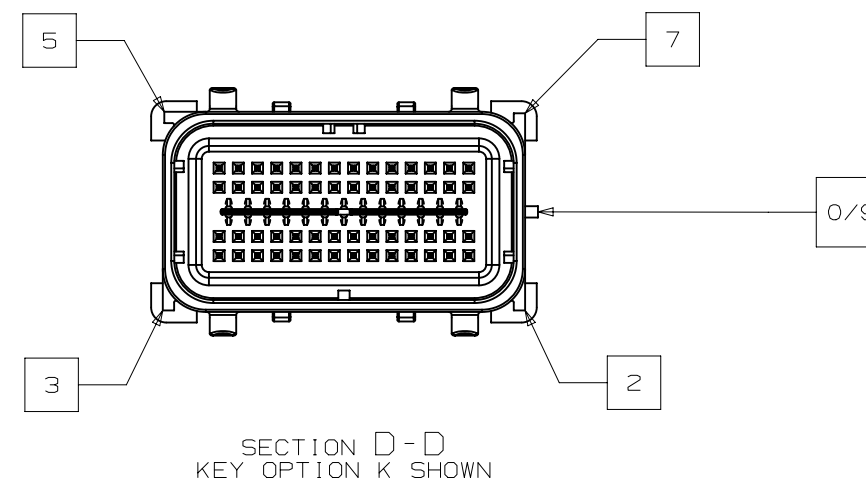
SECTION C-C  
KEY OPTION B SHOWN



SECTION C-C  
KEY OPTION K SHOWN



SECTION D-D  
KEY OPTION B SHOWN



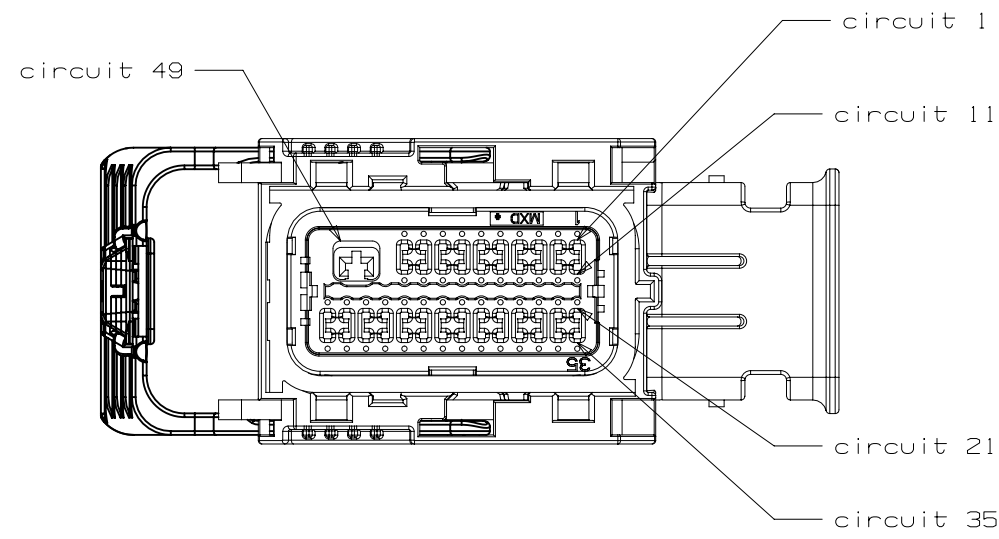
SECTION D-D  
KEY OPTION K SHOWN



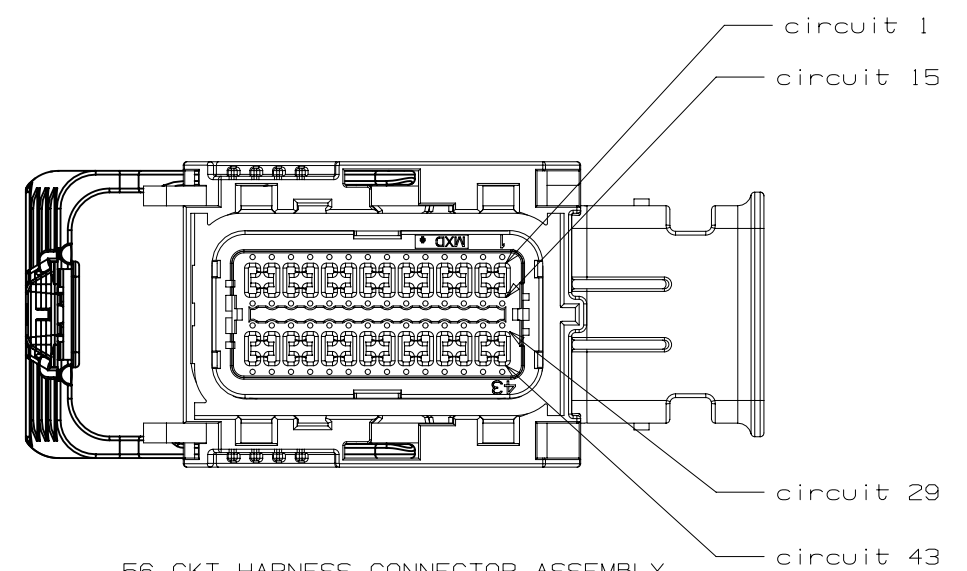
PAGE TITLE  
KEY ID REF - WIRE DRESS OPTION 9

DRAWING NUMBER  
12642694

DWG STATUS			PAGE NUMBER
ST	REV	PD1	
R	001		12 of 22

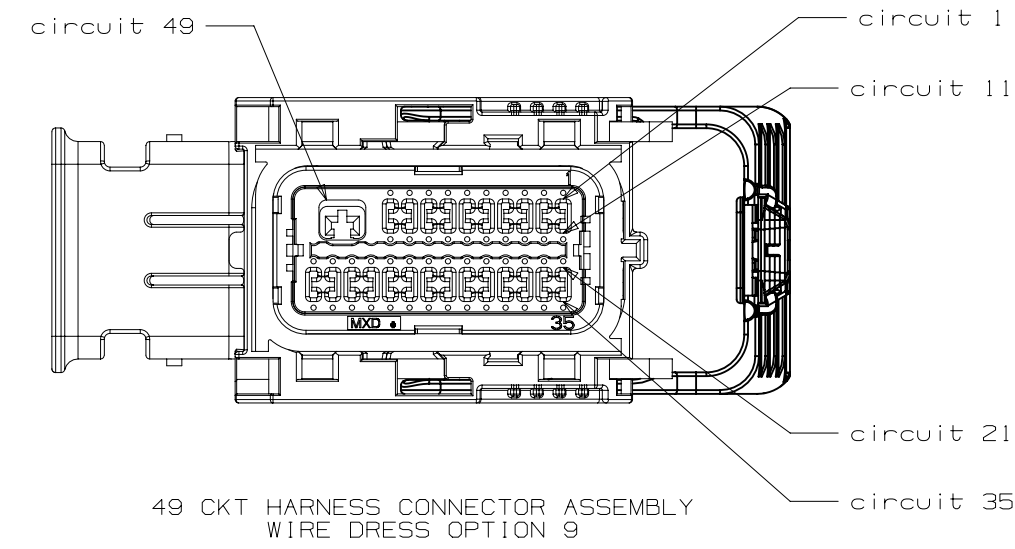


49 CKT HARNESS CONNECTOR ASSEMBLY  
WIRE DRESS OPTION 0

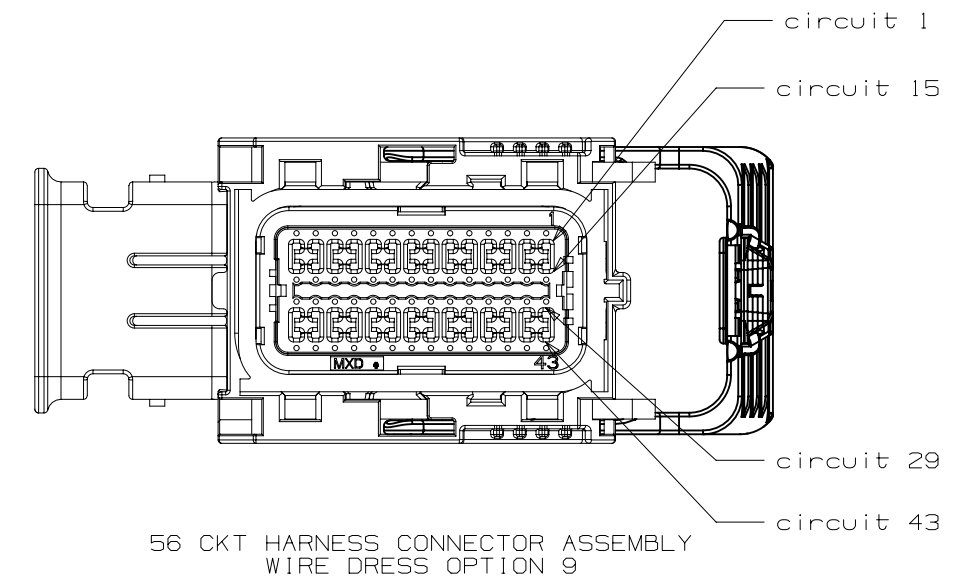


56 CKT HARNESS CONNECTOR ASSEMBLY  
WIRE DRESS OPTION 0

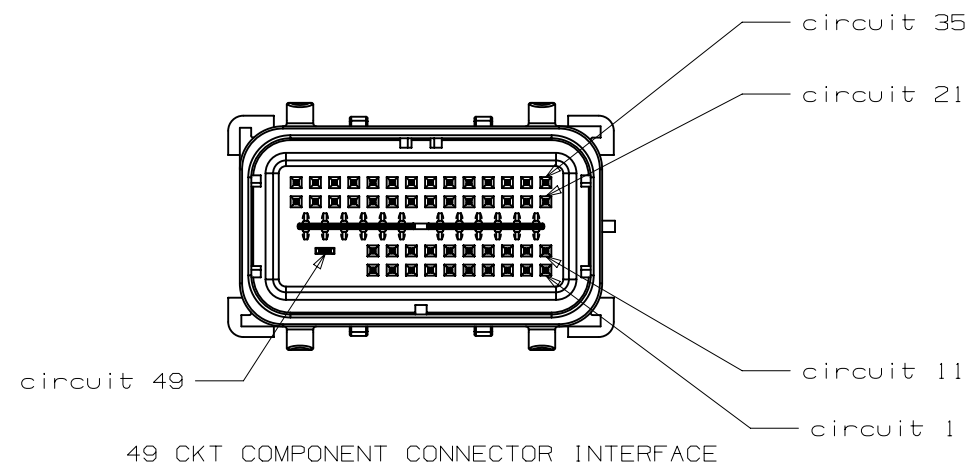
INTERFACE SIDE SHOWN ON ALL VIEWS



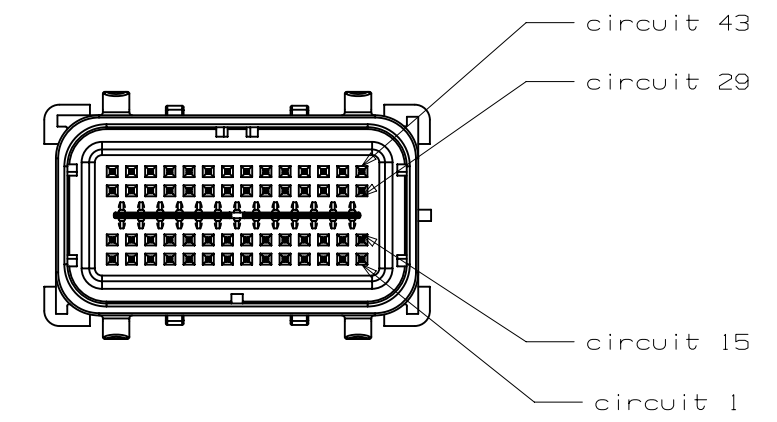
49 CKT HARNESS CONNECTOR ASSEMBLY  
WIRE DRESS OPTION 9



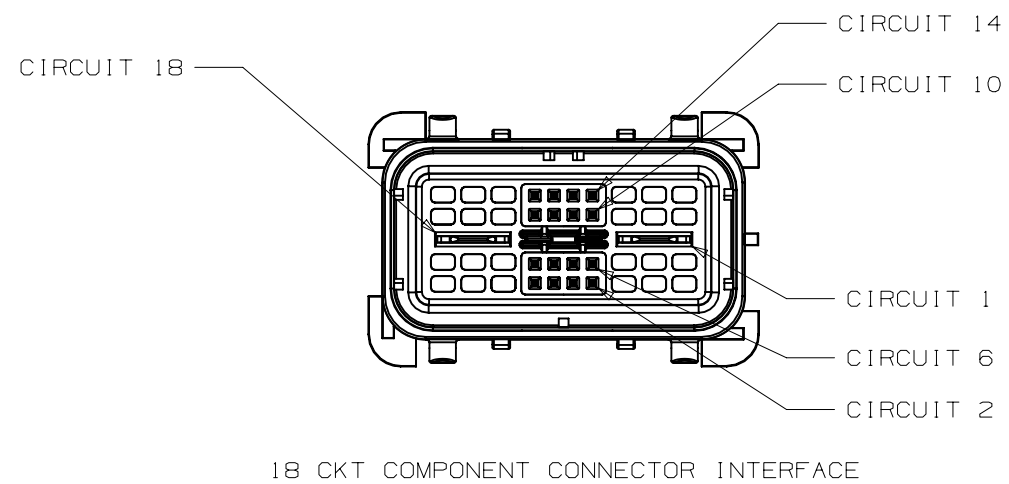
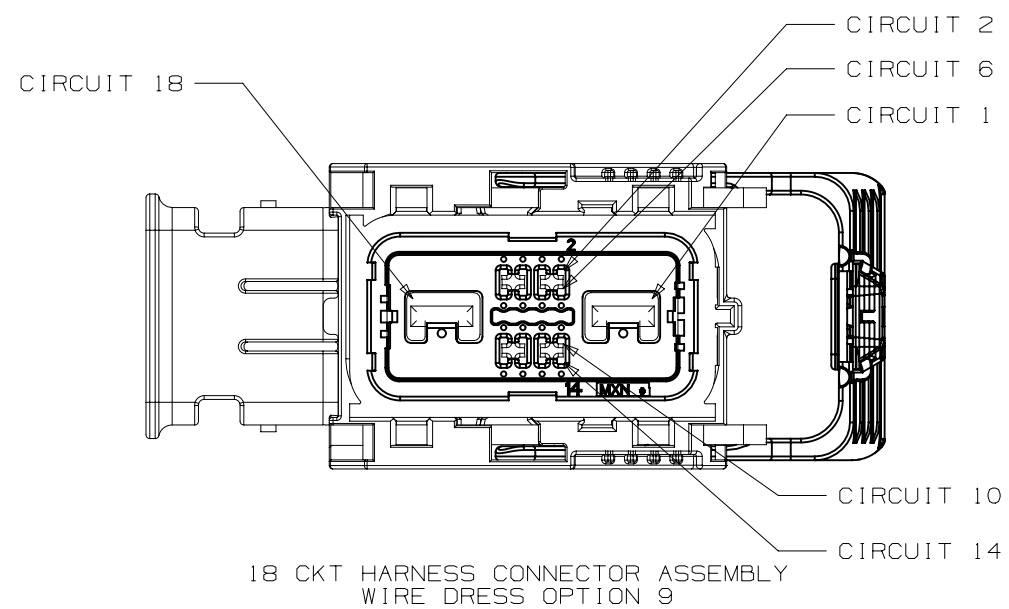
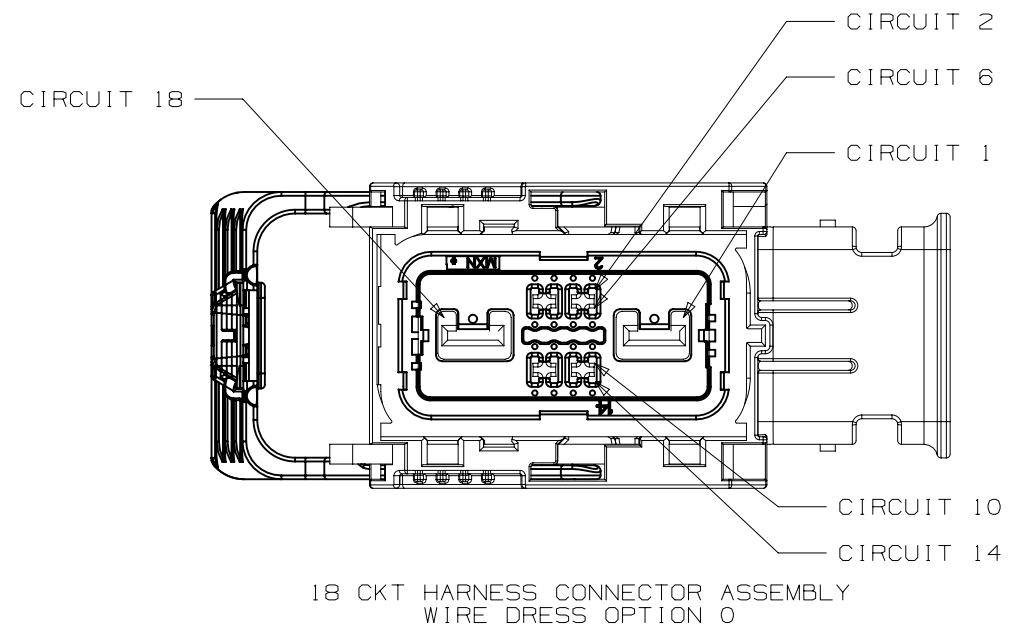
56 CKT HARNESS CONNECTOR ASSEMBLY  
WIRE DRESS OPTION 9



49 CKT COMPONENT CONNECTOR INTERFACE



56 CKT COMPONENT CONNECTOR INTERFACE



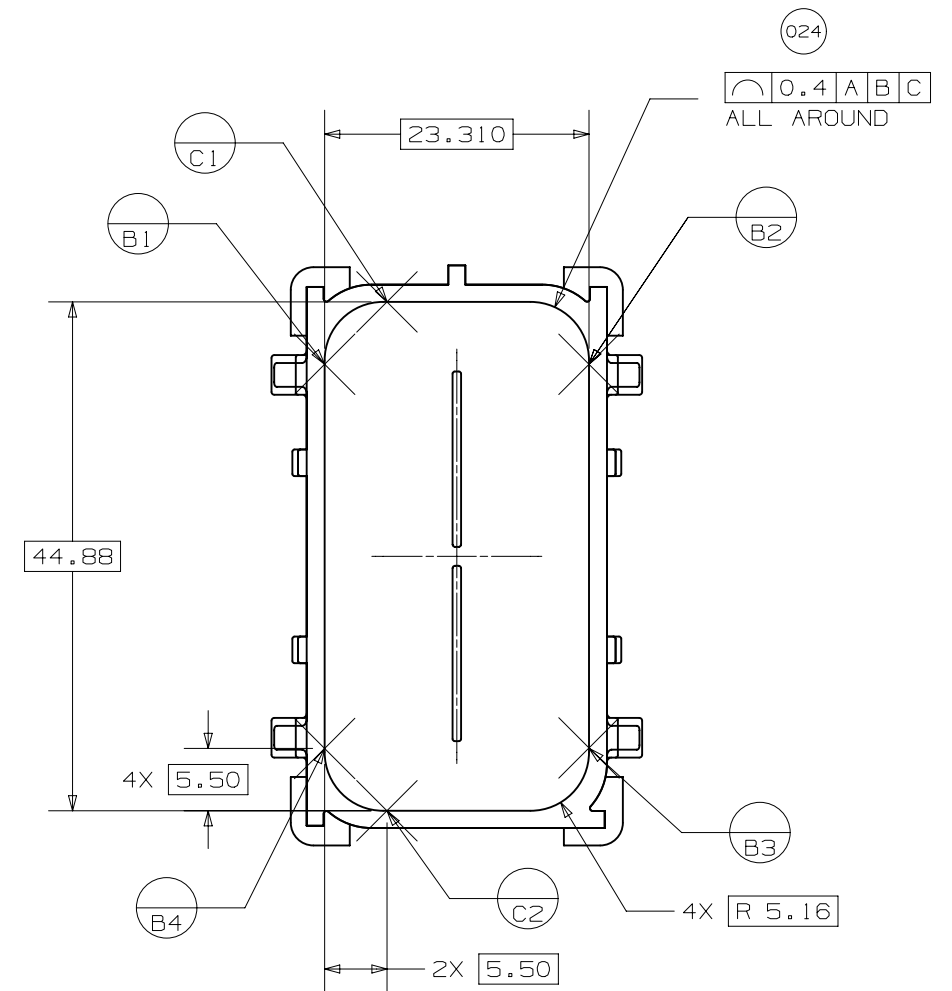
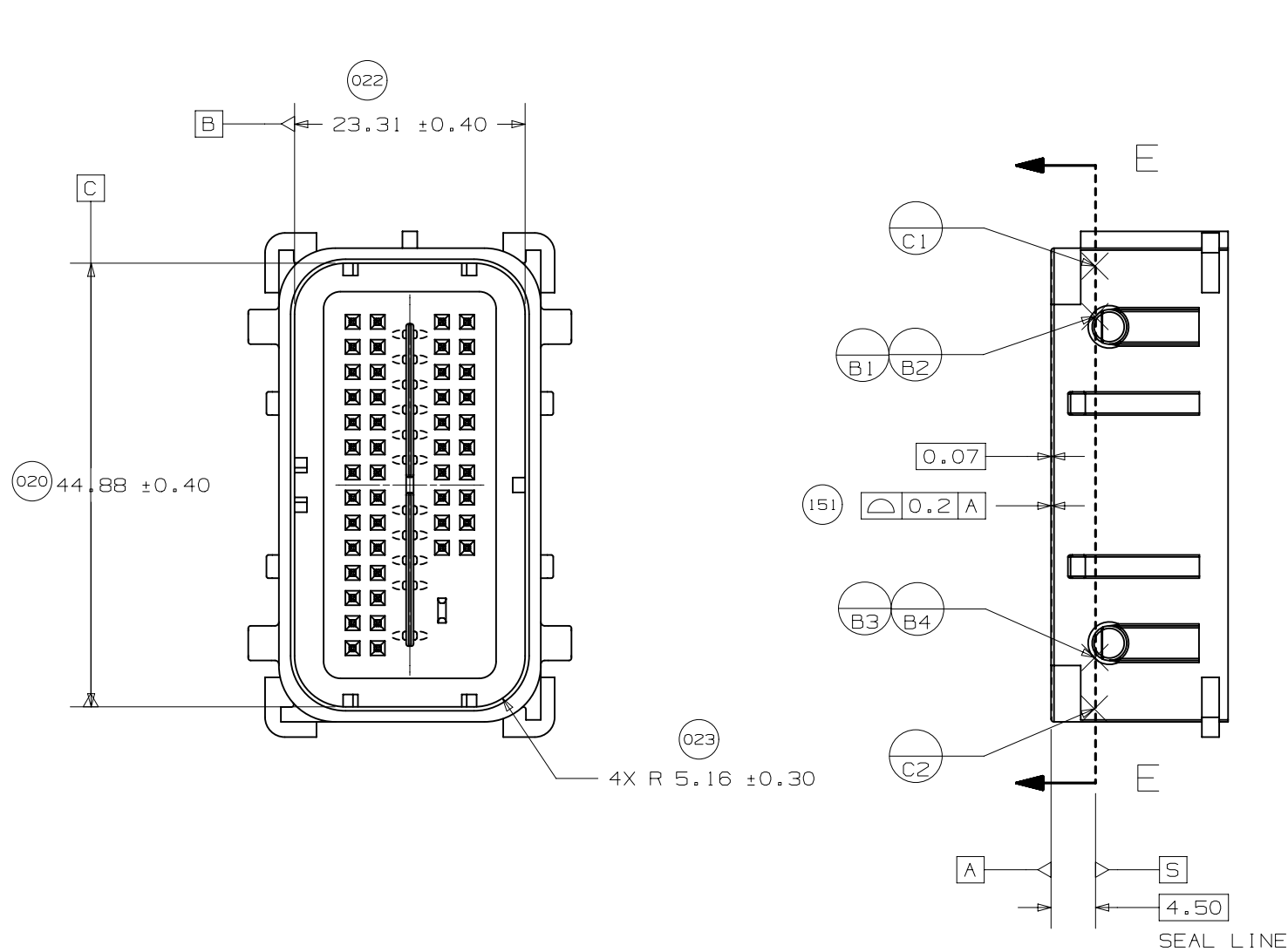
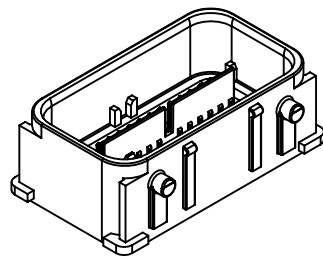
INTERFACE SIDE SHOWN ON ALL VIEWS



PAGE TITLE  
CIRCUIT CONFIGURATIONS

DRAWING NUMBER  
12642694

DWG STATUS			PAGE NUMBER	
ST	REV	PDI	14	OF 22
R	001			



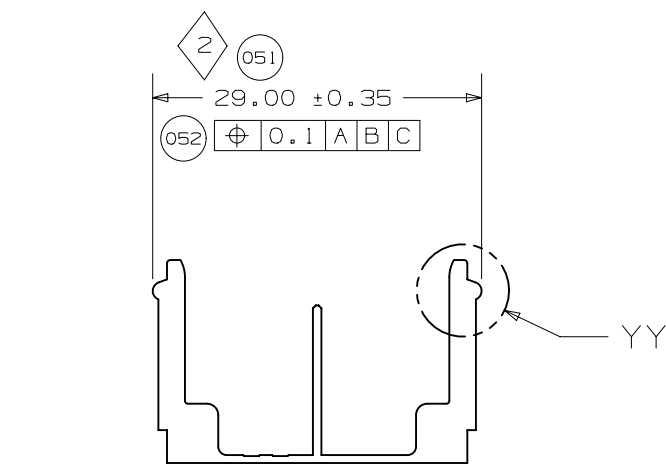
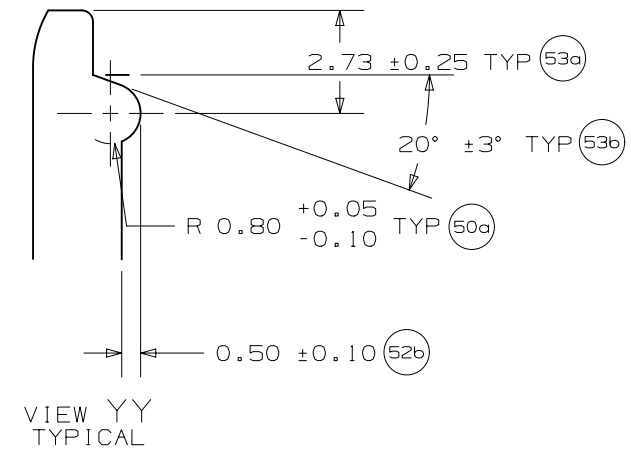
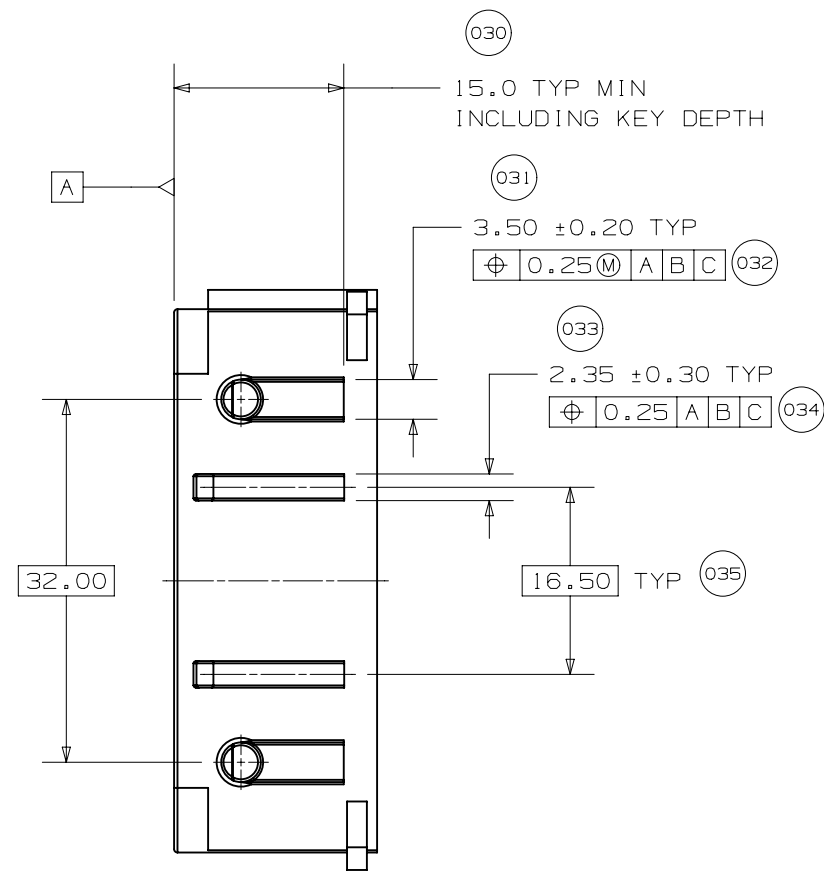
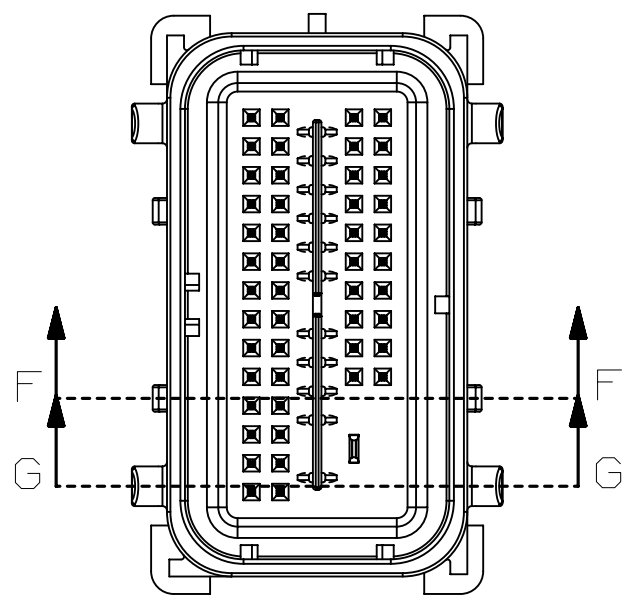
UNLESS SPECIFIED, TOLERANCE OF THE DEVICE INTERFACE TO BE  $\nabla 0.13 \text{ A B C}$



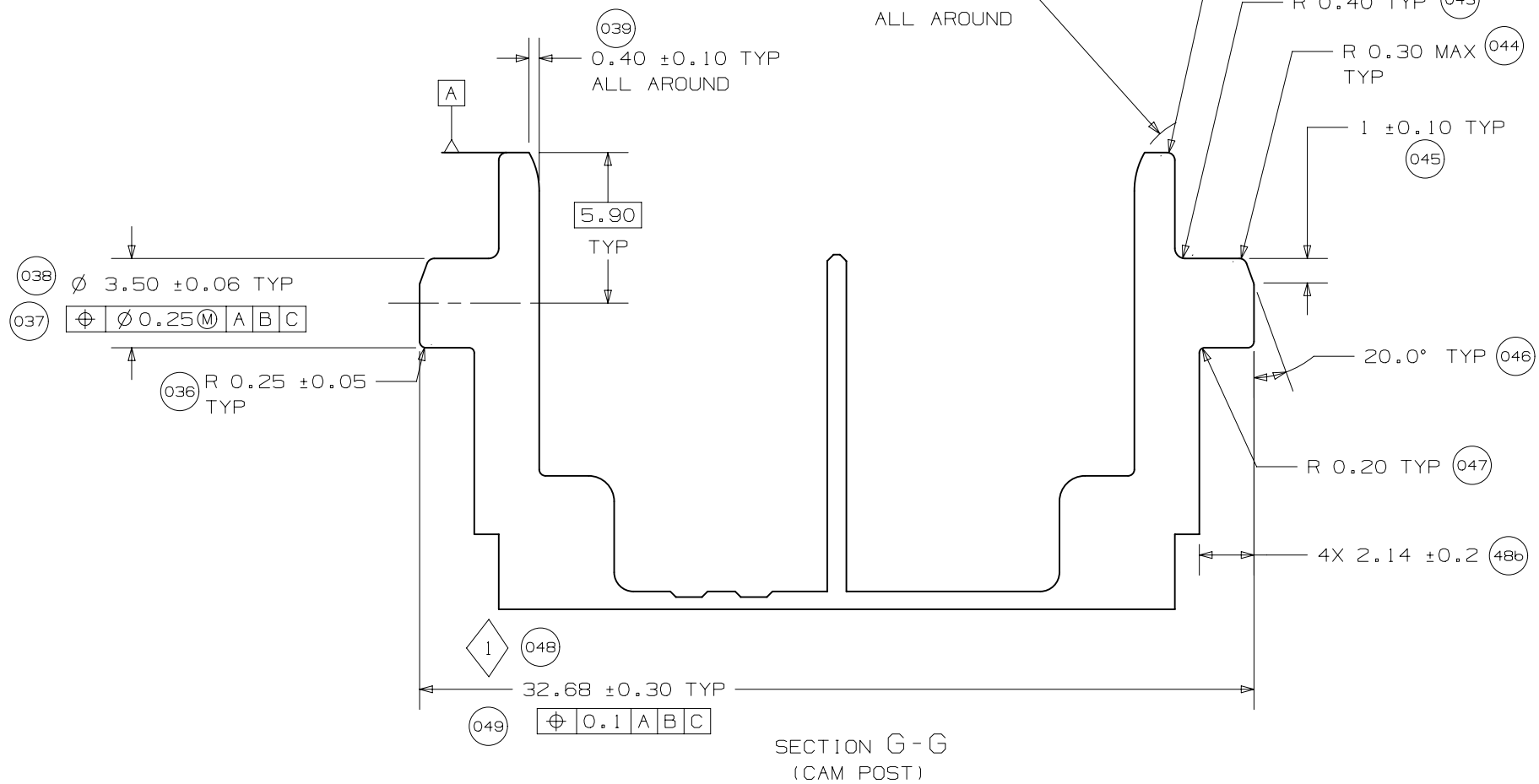
PAGE TITLE  
COMPONENT CONNECTOR INTERFACE

DRAWING NUMBER  
12642694

DWG STATUS			PAGE NUMBER
ST	REV	PD1	
R	001		15 of 22

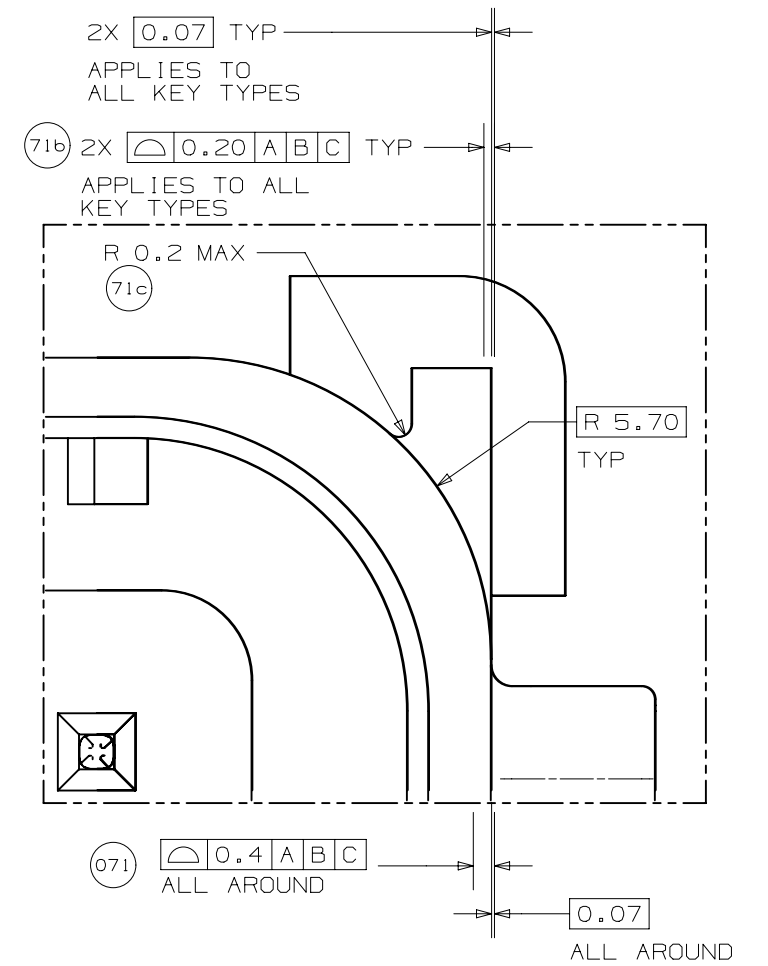
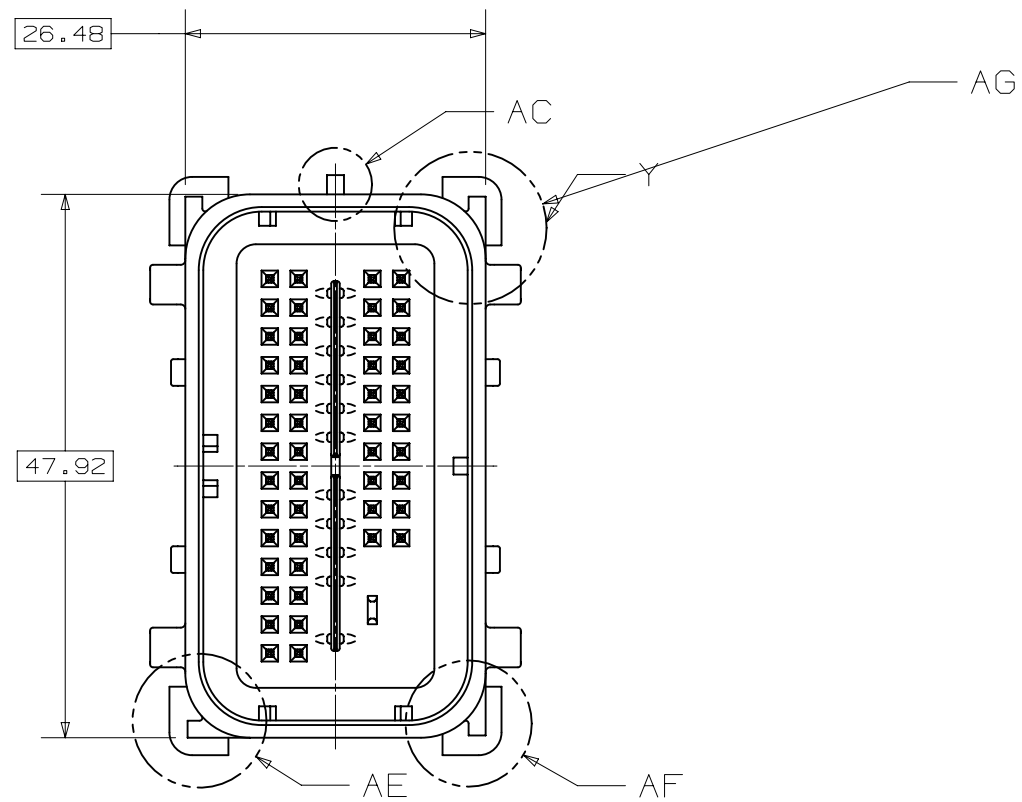
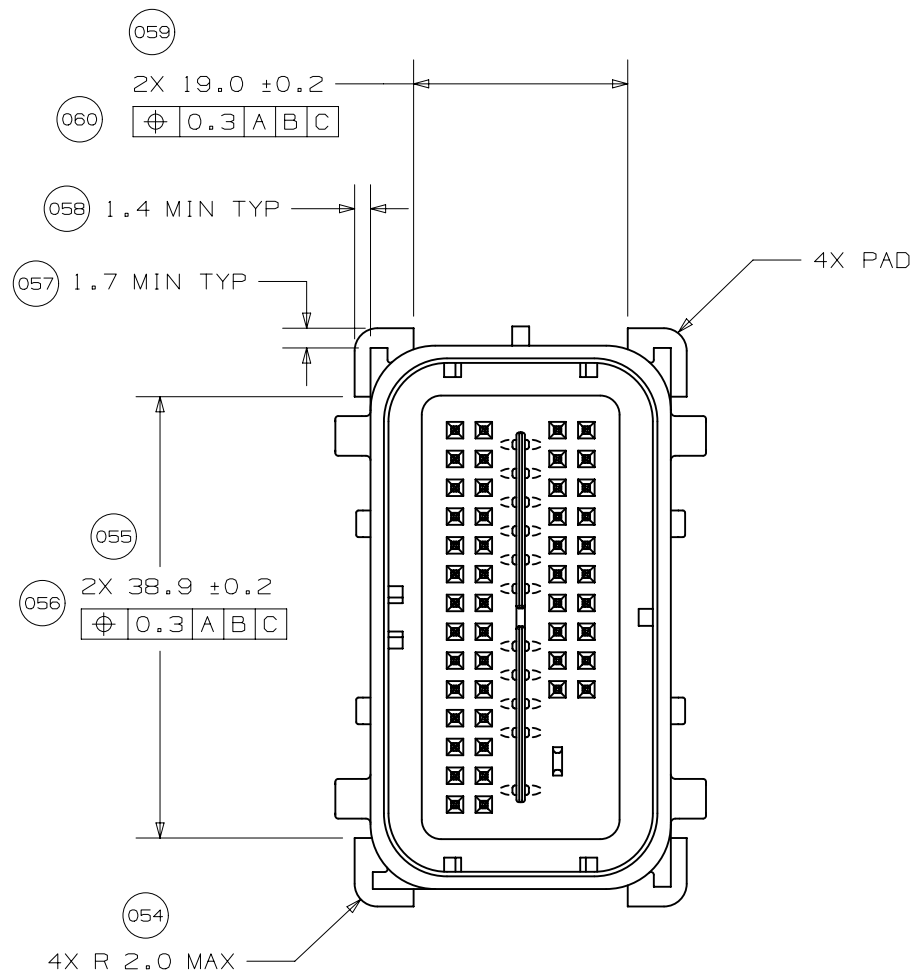


SECTION F - F  
(RELEASE FEATURE)

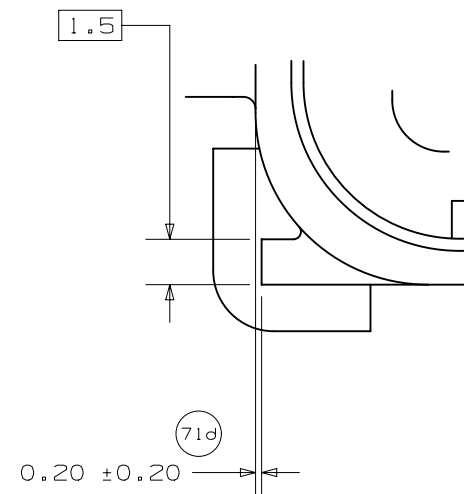
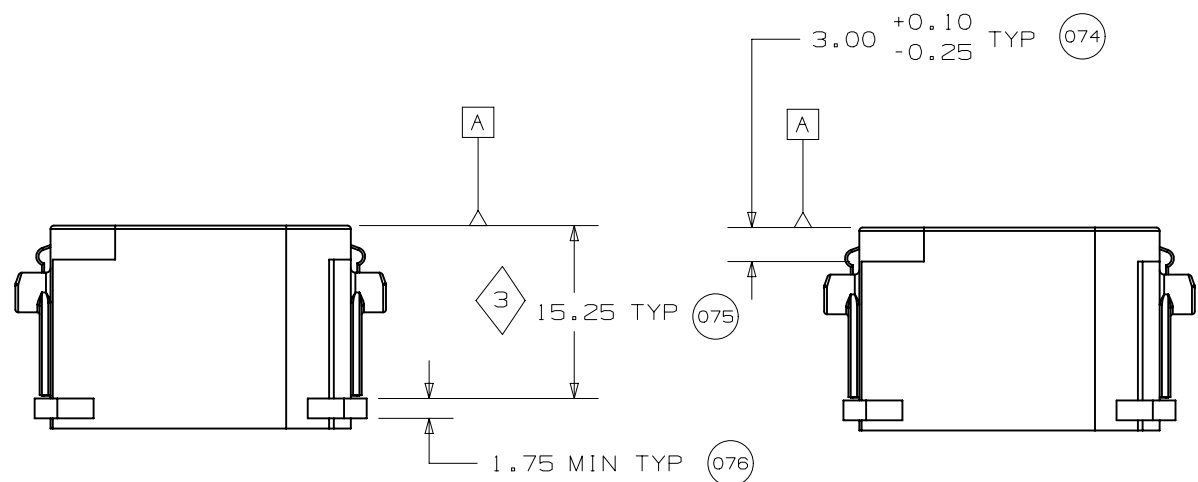


SECTION G - G  
(CAM POST)

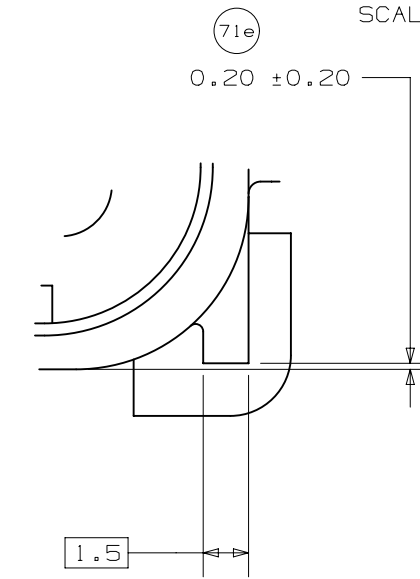




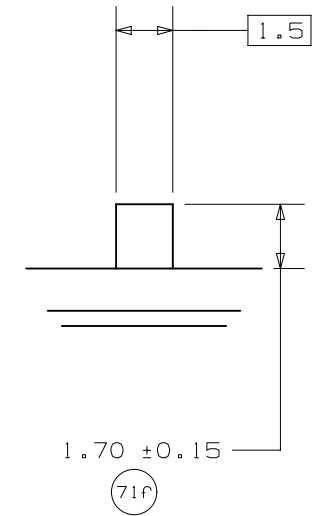
DETAIL Y  
SCALE 7:1



VIEW AE  
KEY TYPE 2



VIEW AF  
KEY TYPE 1



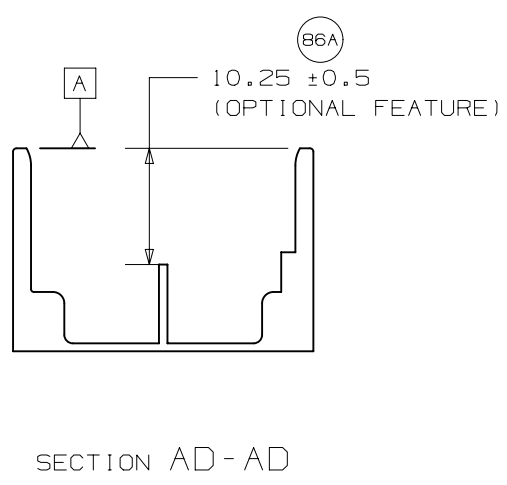
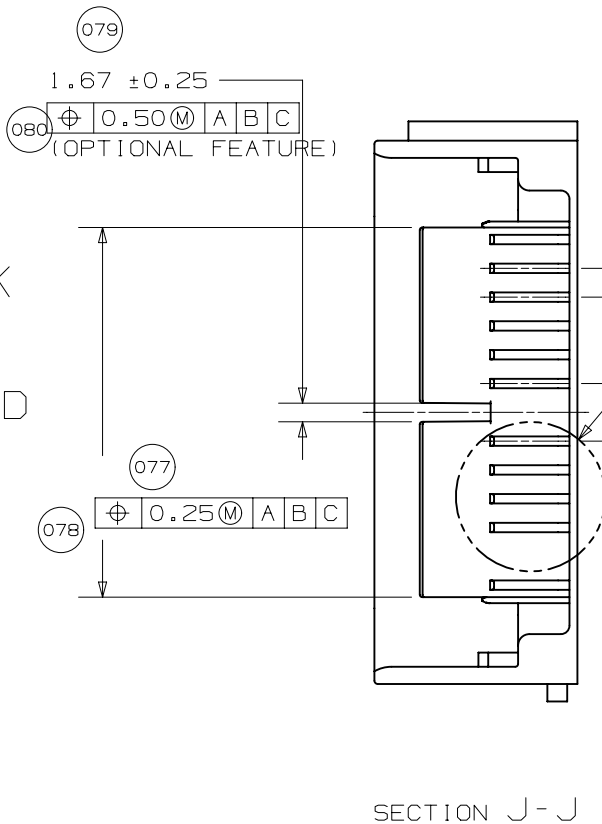
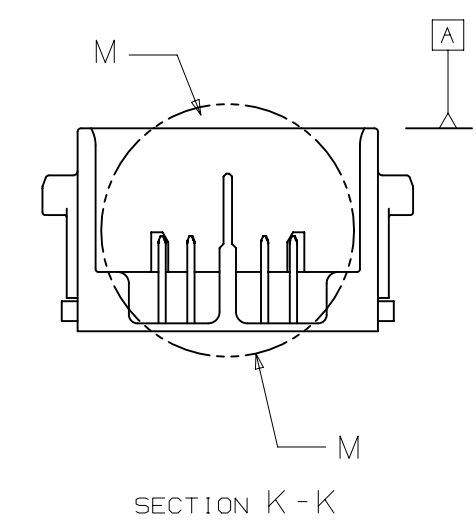
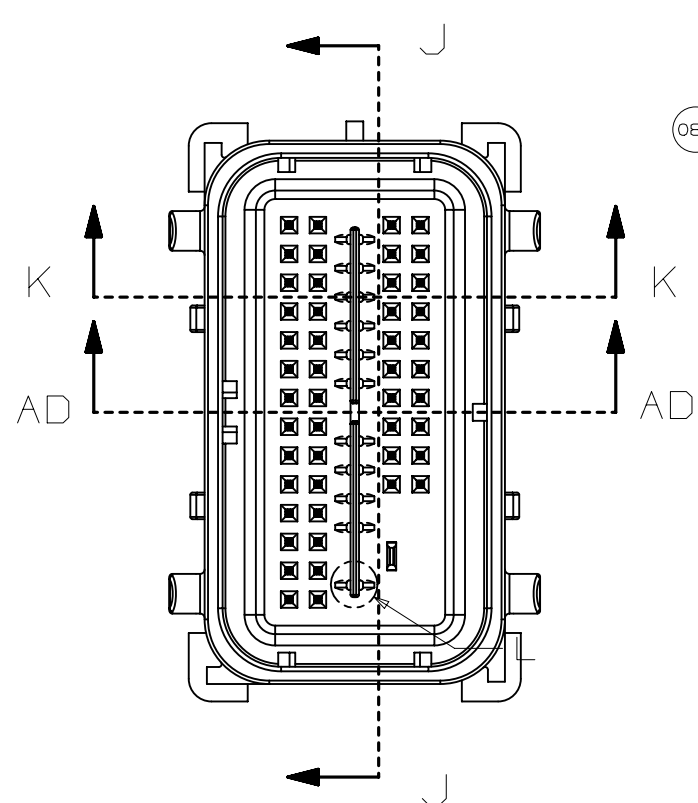
VIEW AC  
KEY TYPE 3



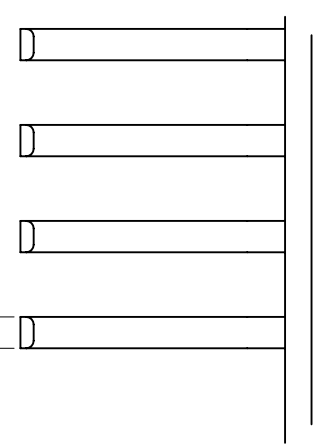
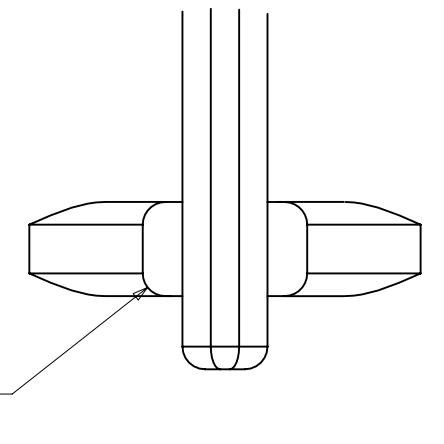
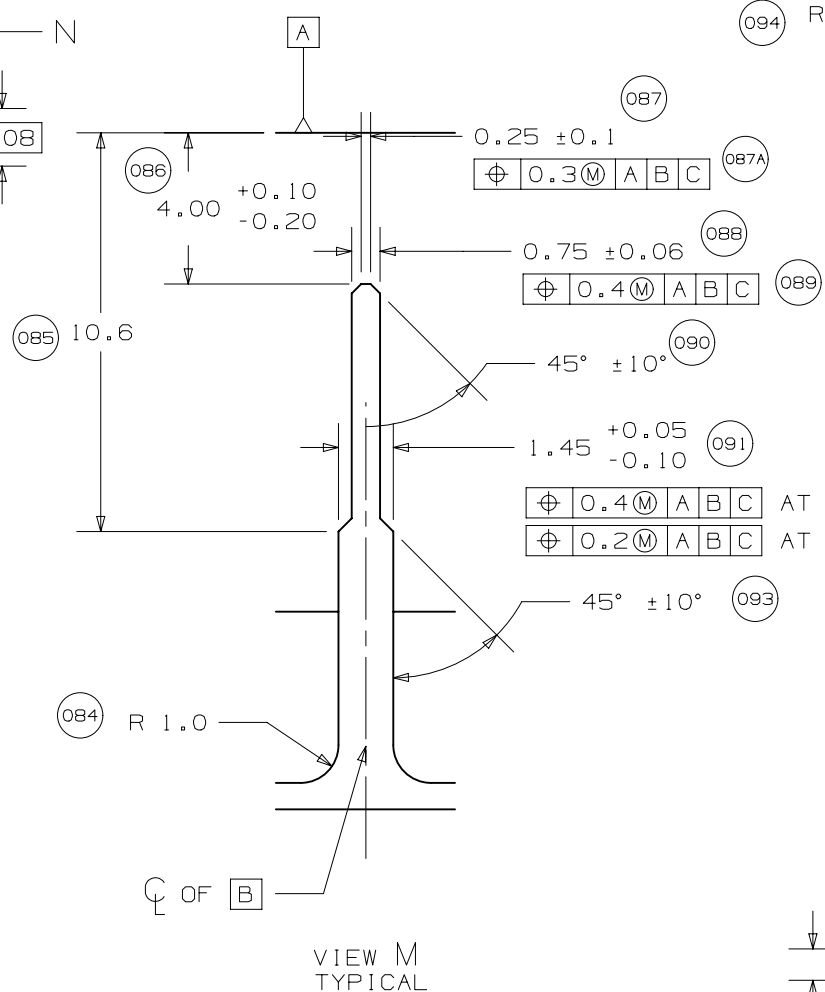
PAGE TITLE  
COMPONENT CONNECTOR INTERFACE

DRAWING NUMBER  
12642694

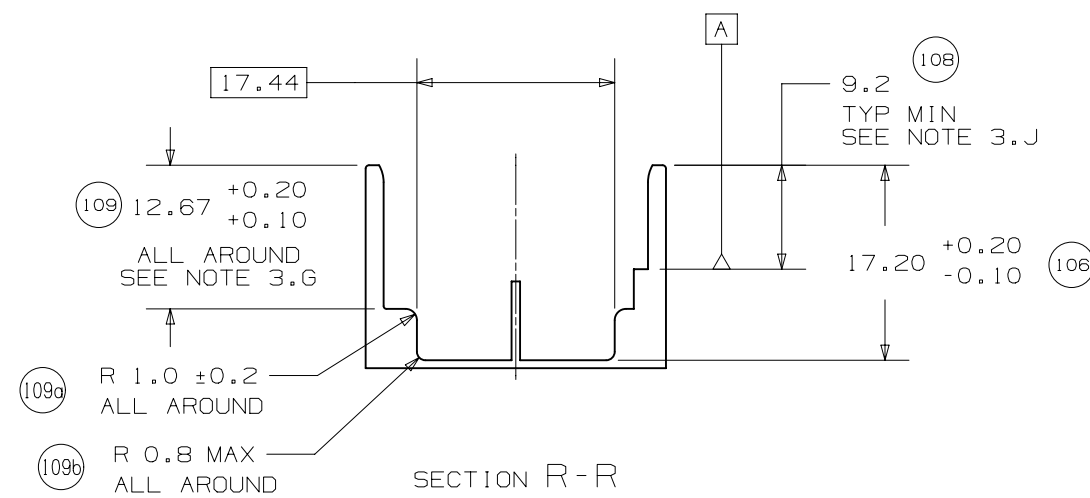
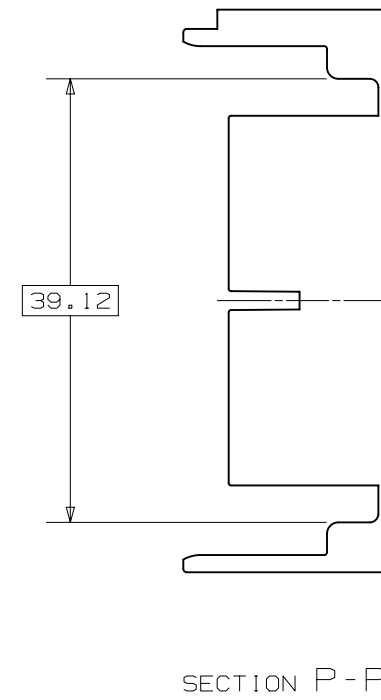
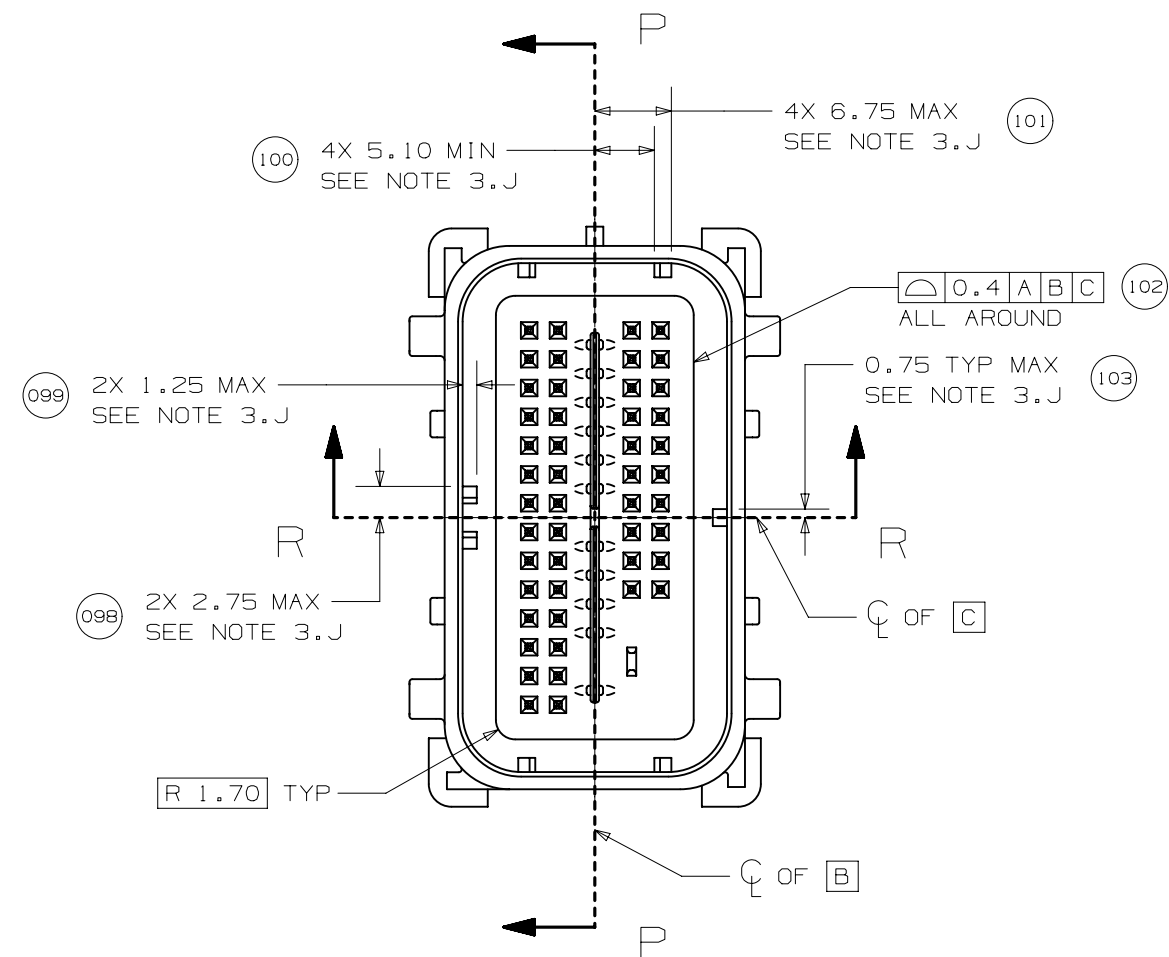
DWG STATUS			PAGE NUMBER
ST	REV	PD1	
R	001		17 of 22

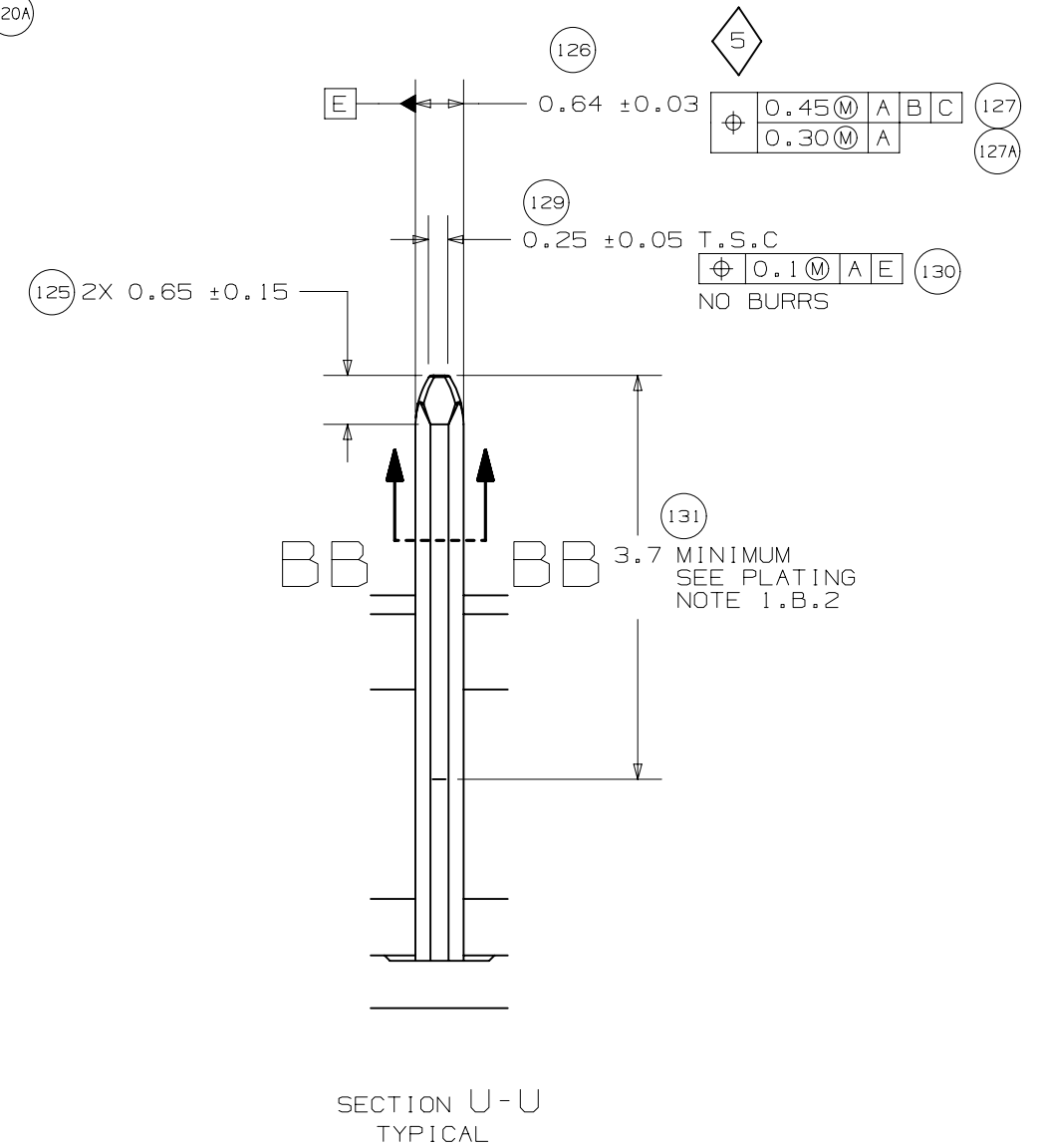
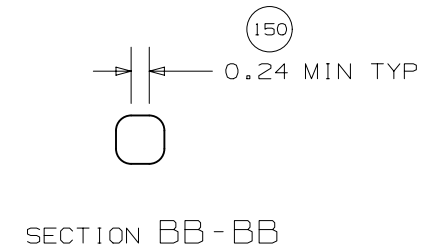
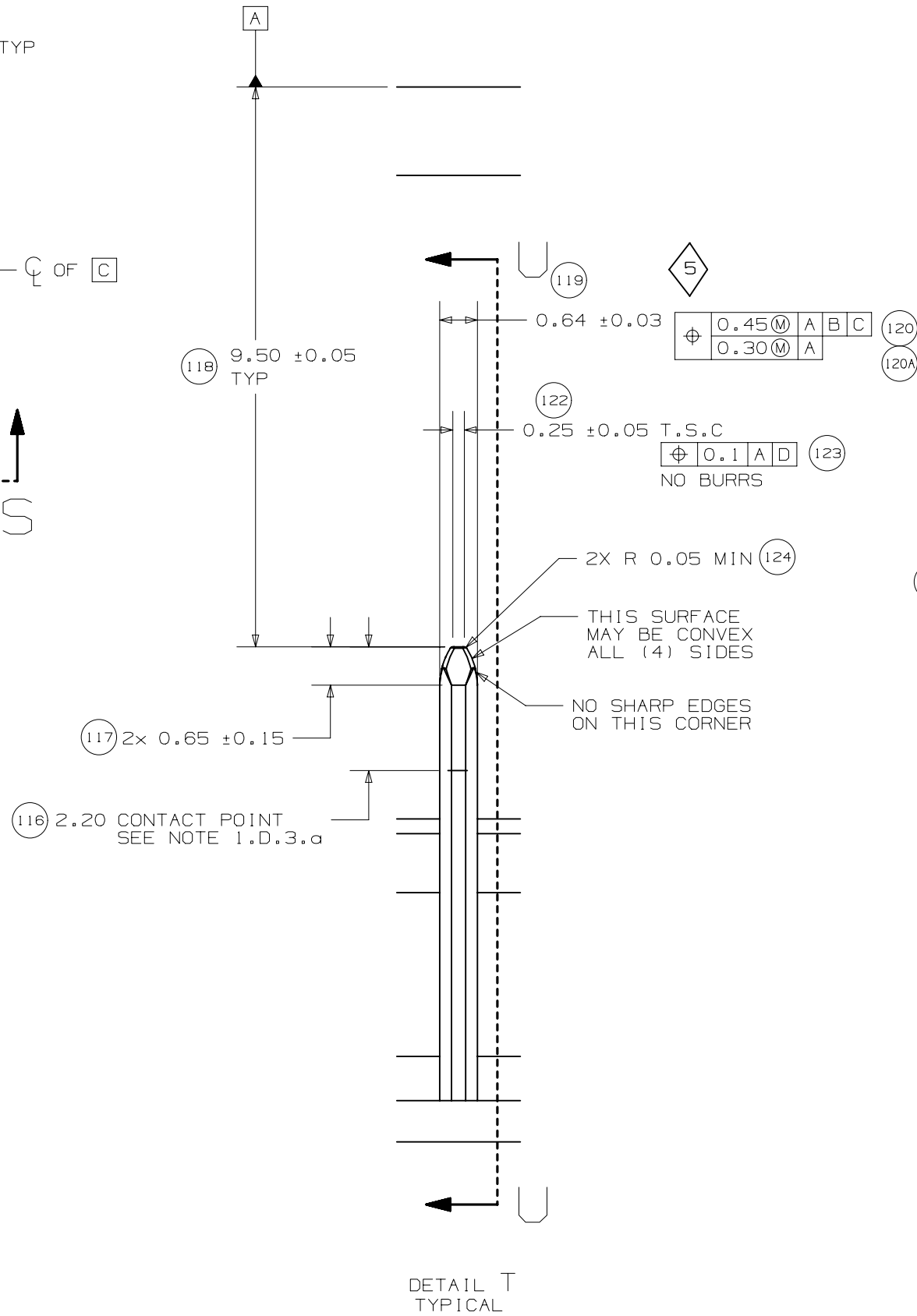
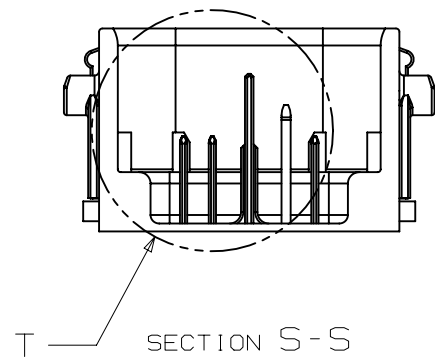
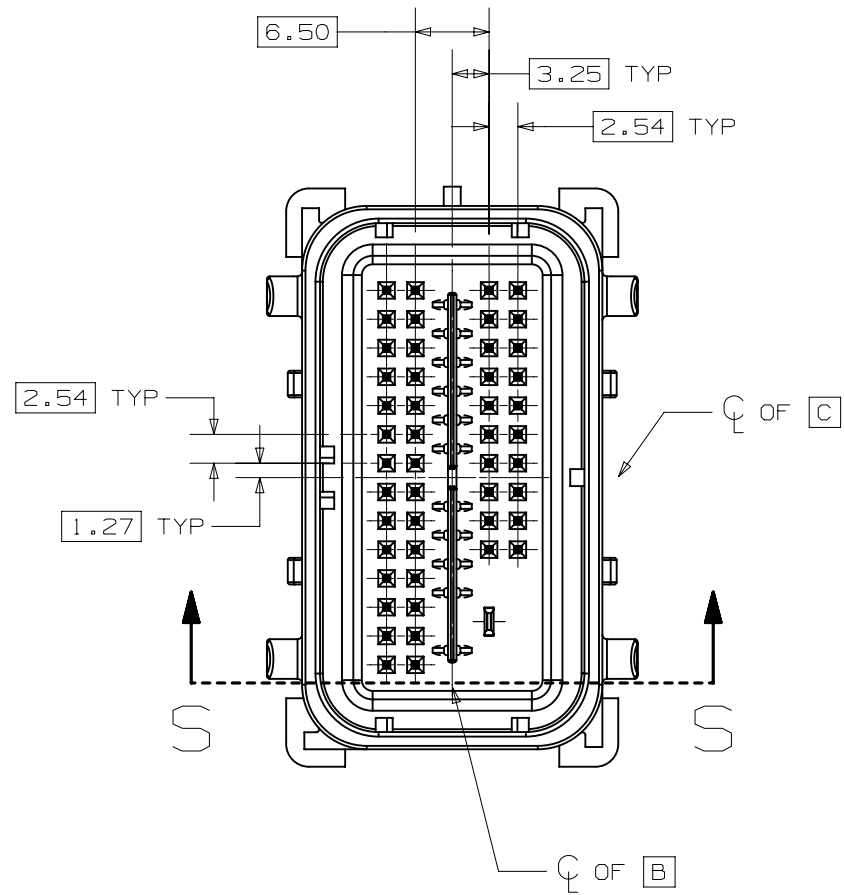


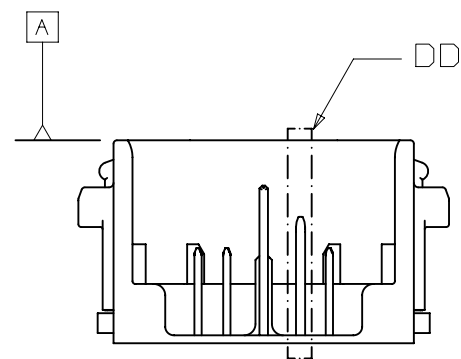
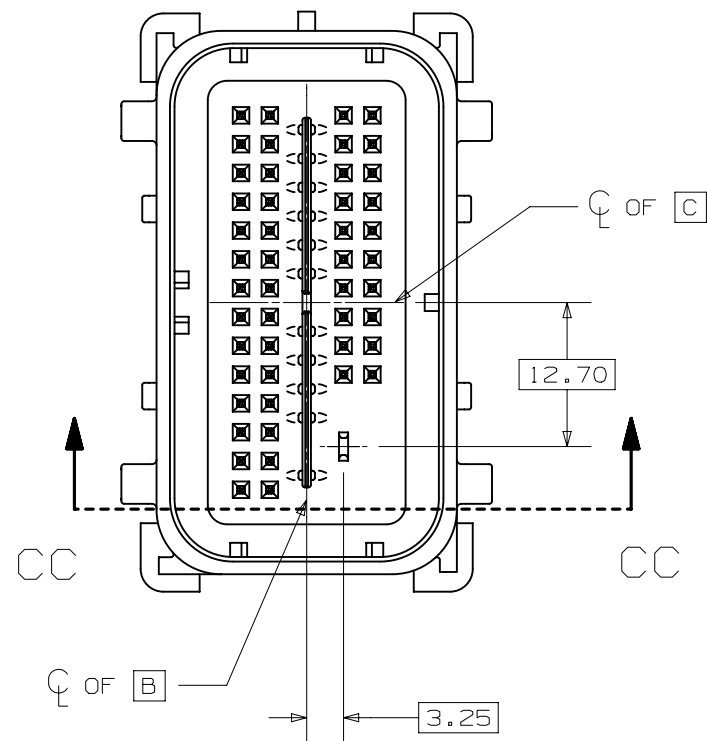
CKT	DIM 077
49 / 56 CKT	32.60 +0.10/-0.80
18 CKT	10.04 +0.10/-0.80



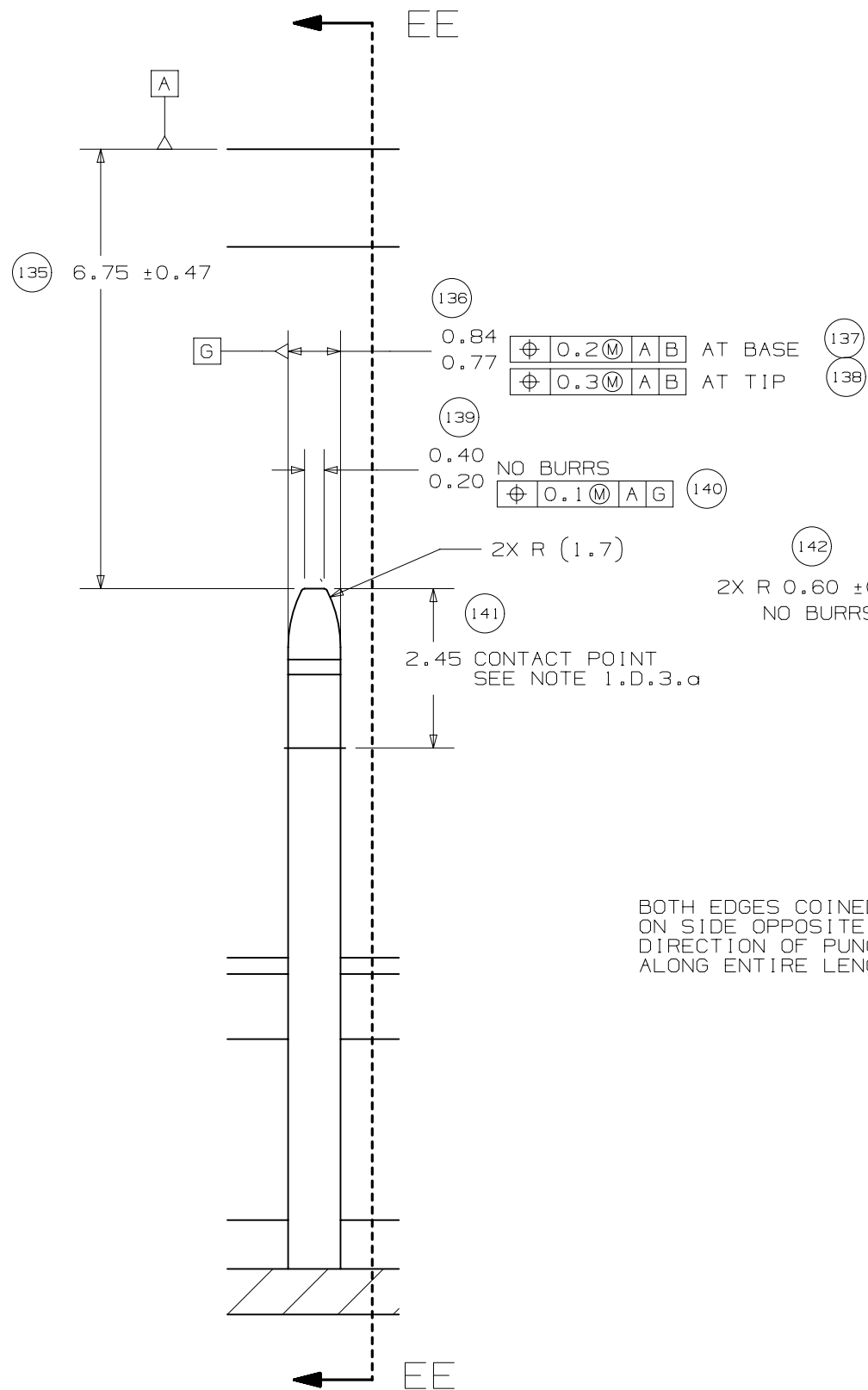




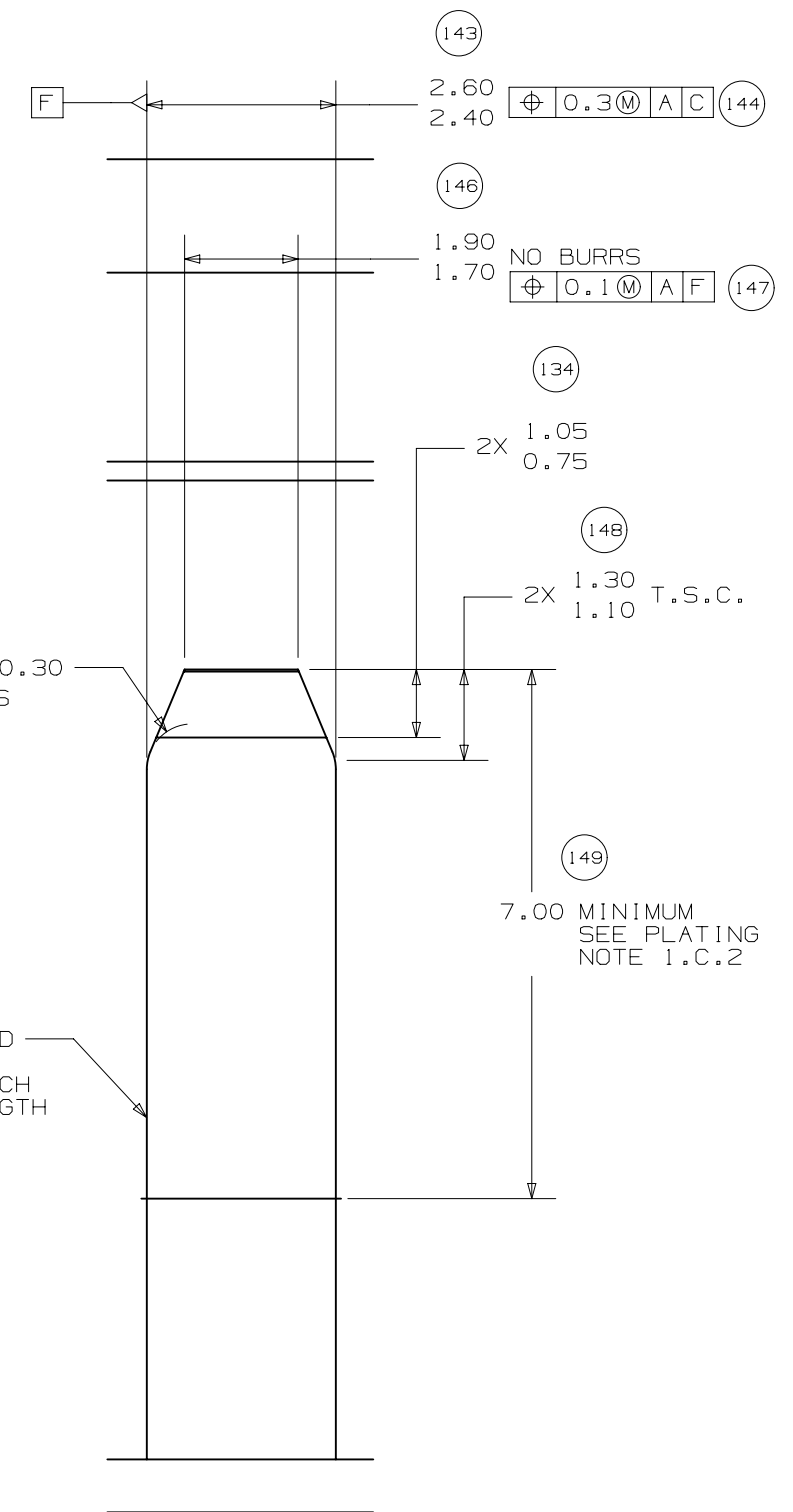




SECTION CC-CC

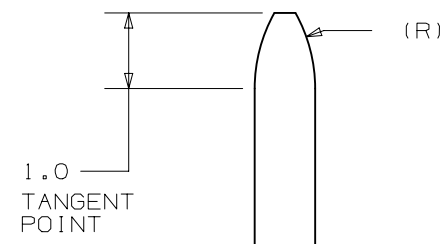


DETAIL DD  
TYPICAL

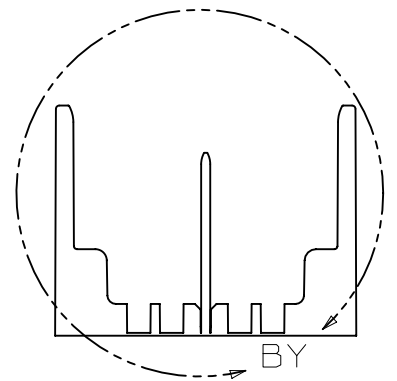
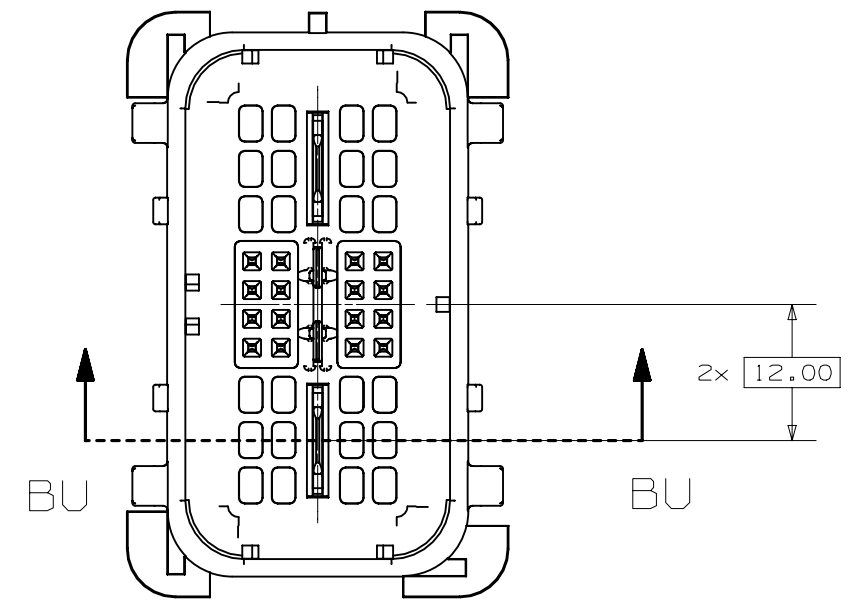


SECTION EE-EE  
TYPICAL

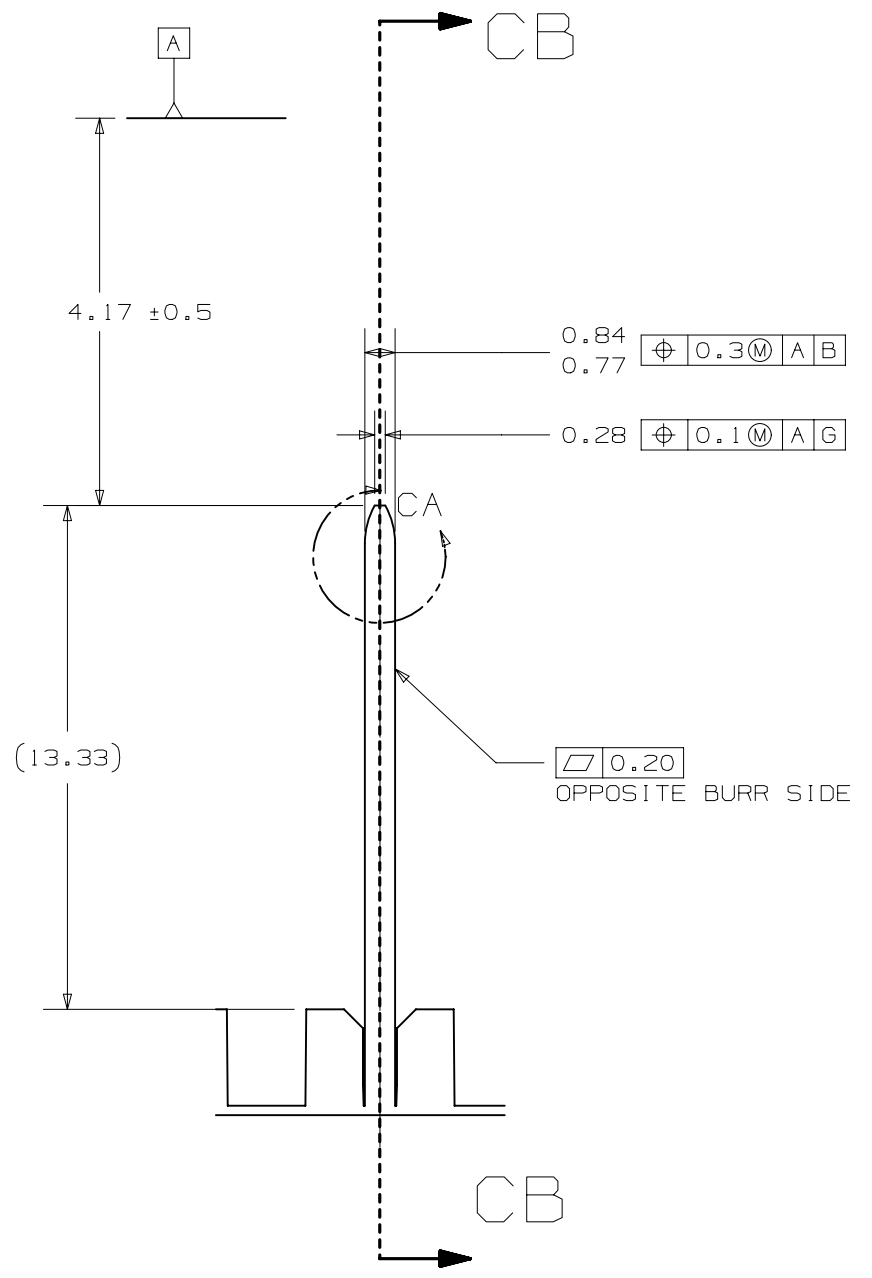




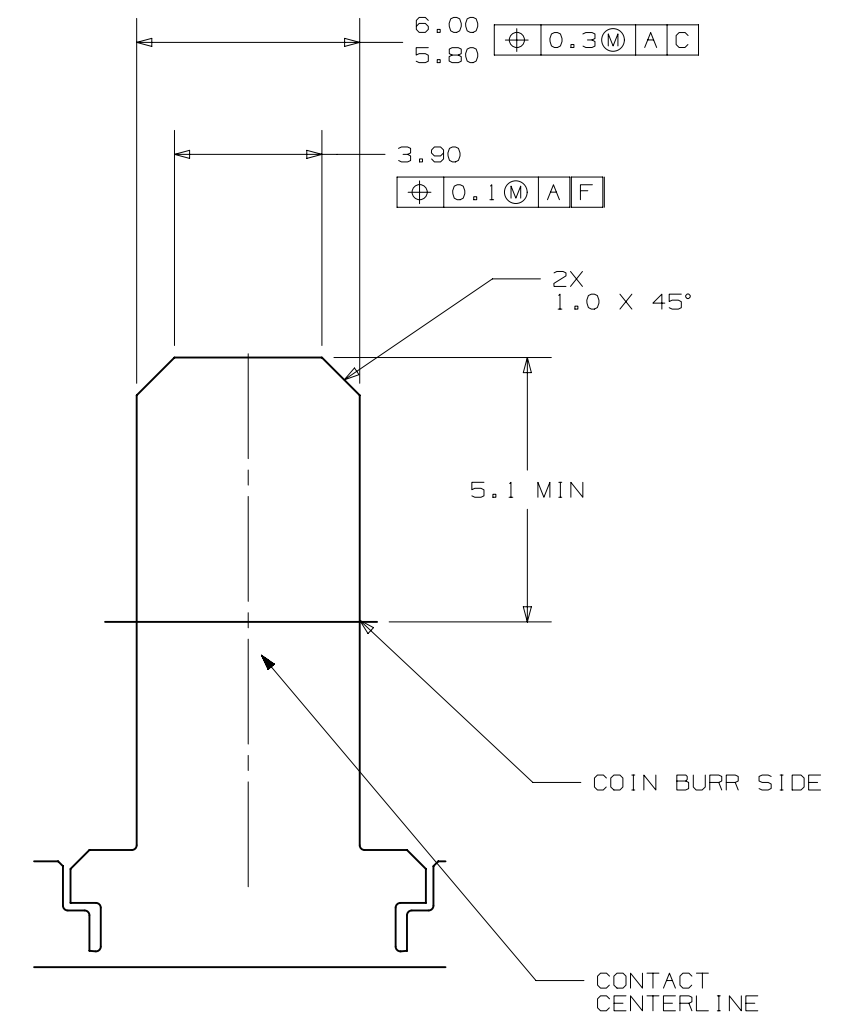
VIEW CA  
SCALE 10:1



SECTION BU-BU



VIEW BY  
SCALE 5:1



SECTION CB-CB



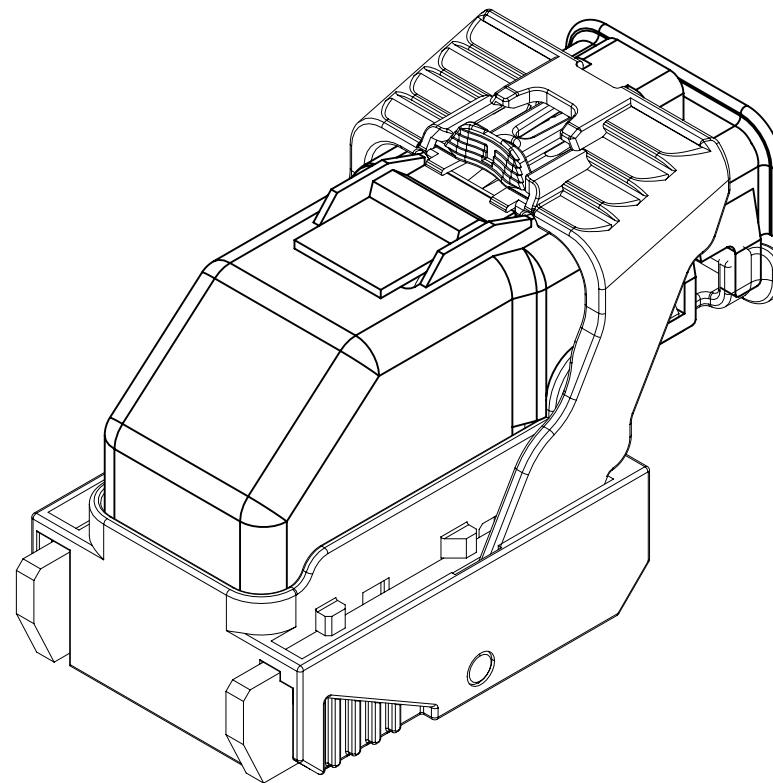
PAGE TITLE  
COMPONENT CONNECTOR INTERFACE

DRAWING NUMBER  
12642694


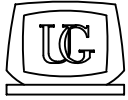
DWG STATUS		
ST	REV	PD1
R	001	

PAGE NUMBER  
22 OF 22

INDEX	
PAGE TITLE	PAGE
TITLE BLOCK	1
REVISION BLOCK	2
PART BLOCK	3
KPC BLOCK	4
COMPONENT TABLE	5
NOTES	6
NOTES	7
WIRE DRESS PACKAGING DIMENSIONS	8
LOCATION AND PACKAGING DIMENSIONS REFERENCING INTERFACE DATUMS B & C	9
LOCATION AND PACKAGING DIMENSIONS REFERENCING INTERFACE DATUM A	10
KEY ID REF - WIRE DRESS OPTION 0	11
KEY ID REF - WIRE DRESS OPTION 9	12
CIRCUIT CONFIGURATIONS	13
CIRCUIT CONFIGURATIONS	14
COMPONENT CONNECTOR INTERFACE	15
COMPONENT CONNECTOR INTERFACE	16
COMPONENT CONNECTOR INTERFACE	17
COMPONENT CONNECTOR INTERFACE	18
COMPONENT CONNECTOR INTERFACE	19
COMPONENT CONNECTOR INTERFACE	20
COMPONENT CONNECTOR INTERFACE	21
COMPONENT CONNECTOR INTERFACE	22
ADDITIONAL COMPONENTS REQUIRED	23




ISO VIEW

	THIS DOCUMENT IS IN ACCORDANCE WITH ASME Y14.5M-1994 AS AMENDED BY THE GM GLOBAL DIMENSIONING AND TOLERANCING ADDENDUM - 2004.			DATE											
	 CHANGE RESTRICTED NO MANUAL CHANGES  DO NOT SCALE  METRIC DIMENSIONS SHOWN IN MILLIMETERS UNLESS OTHERWISE SPECIFIED		REFERENCE 12H (MOLEX AUTOMOTIVE)	DRAFTER D. KOEHLER	04JN15										
			APVD1												
			APVD2												
			APVD3												
			APVD4												
		APVD5													
		DRAWING NAME HARNESS CONN ASM-SEALED 18/49/56 CKTS, MX123													
		DRAWING NUMBER 12672832		PAGE NUMBER											
		<table border="1" style="width: 100%; border-collapse: collapse;"> <thead> <tr> <th colspan="3">DWG STATUS</th> <th rowspan="2">PAGE NUMBER</th> </tr> <tr> <th>ST</th> <th>REV</th> <th>PD1</th> </tr> </thead> <tbody> <tr> <td style="text-align: center;">R</td> <td style="text-align: center;">001</td> <td></td> <td style="text-align: center;">1 of 23</td> </tr> </tbody> </table>			DWG STATUS			PAGE NUMBER	ST	REV	PD1	R	001		1 of 23
DWG STATUS			PAGE NUMBER												
ST	REV	PD1													
R	001		1 of 23												

PAGE	DWG STATUS					REVISION HISTORY	AUTH	DR	CK	ENG
	DATE	ST	REV	CHG	PDI					

PAGE	DWG STATUS					REVISION HISTORY	AUTH	DR	CK	ENG
	DATE	ST	REV	CHG	PDI					
	03JN15	R	001			RELEASED TO PRODUCTION AT DLS A	CRMRJE	DFK		

	PAGE TITLE	DRAWING NUMBER	DWG STATUS			PAGE NUMBER	
	REVISION BLOCK		12672832	ST	REV		PDI
				R	001		



KEY PRODUCT CHARACTERISTICS  
(IN ACCORDANCE WITH QN 1805 OR ON 1050)



SAFETY/COMPLIANCE

TOTAL ON  
DRAWING

4



FIT/FUNCTION

LAST NO.  
USED

4

NO	TYPE	DESCRIPTION	RATIONALE	PAGE/ZONE
1	F/F	32.68	IMPROVE CONNECTOR SYSTEM MATING	16
2	F/F	29.00	INSURE PROPER RELEASE OF LEVER	16
3	F/F	15.25	INSURE FINAL MATE POSITION	17
4	F/F	POSITIONAL TOLERANCE (2 PLACES)	INSURE CONNECTOR SYSTEM MATIBILITY	20



PAGE TITLE  
KPC BLOCK

DRAWING NUMBER

12672832

DWG STATUS

ST	REV	PD1
----	-----	-----

R	001	
---	-----	--

PAGE NUMBER

4 OF 23



Γ J 0	MFG.	MFG. P/N	GM P/N	Effective Date	APPLICABLE COMPONENTS		Key Option	Wire Dress Option	Key Config.	Color	Status
					DESCRIPTION						
1	MOLEX	34575-0003	12582679	02JN03		WIRE HARNESS COVER	N/A	NA	N/A	BLACK	AVAILABLE
2	MOLEX	34851-0007	12672834	31AU15		HARN CONN ASM 18 CKT	G	0	1358	BLUE	ACTIVE
3	MOLEX	34851-0008	12672836	31AU15		HARN CONN ASM 18 CKT	H	0	2458	ST GRAY	ACTIVE
4	MOLEX	34851-0019	12672835	31AU15		HARN CONN ASM 18 CKT	G	9	1358	BLUE	ACTIVE
5	MOLEX	34851-0020	12672837	31AU15		HARN CONN ASM 18 CKT	H	9	2458	ST GRAY	ACTIVE
6	MOLEX	34576-0103	12672838	31JL15		HARN CONN ASM 49 CKT	A	0	1458	BLACK	ACTIVE
7	MOLEX	34576-0203	12672840	T.B.D.		HARN CONN ASM 49 CKT	B	0	1468	ST GRAY	NOT ACTIVE
8	MOLEX	34576-0303	12672842	31JL15		HARN CONN ASM 49 CKT	C	0	2467	BLUE	ACTIVE
9	MOLEX	34576-1303	12672839	31JL15		HARN CONN ASM 49 CKT	A	9	1458	BLACK	ACTIVE
10	MOLEX	34576-1403	12672841	T.B.D.		HARN CONN ASM 49 CKT	B	9	1468	ST GRAY	NOT ACTIVE
11	MOLEX	34576-1503	12672843	31JL15		HARN CONN ASM 49 CKT	C	9	2467	BLUE	ACTIVE
12	MOLEX	34576-0703	12672848	11JN04		HARN CONN ASM 56 CKT	G	0	1358	BLUE	AVAILABLE
13	MOLEX	34576-0803	12672846	11JN04		HARN CONN ASM 56 CKT	H	0	2458	ST GRAY	AVAILABLE
14	MOLEX	34576-0903	12672844	T.B.D.		HARN CONN ASM 56 CKT	J	0	2457	BLACK	NOT ACTIVE
15	MOLEX	34576-1903	12672849	11JN04		HARN CONN ASM 56 CKT	G	9	1358	BLUE	AVAILABLE
16	MOLEX	34576-2003	12672847	T.B.D.		HARN CONN ASM 56 CKT	H	9	2458	ST GRAY	NOT ACTIVE
17	MOLEX	34576-2103	12672845	T.B.D.		HARN CONN ASM 56 CKT	J	9	2457	BLACK	NOT ACTIVE
18	MOLEX	34736-0028	12672851	01AU10		MX64 RCPT TERM Ag 0.5mm/0.75mm ISO GAGE B (RIGHT PAYOFF)	N/A	N/A	N/A	N/A	AVAILABLE
19	MOLEX	34736-0026	12672850	01AU10		MX64 RCPT TERM Ag 0.35mm ISO B (RIGHT PAYOFF)	N/A	N/A	N/A	N/A	AVAILABLE
20	MOLEX	34586-0001	12674820	11JN04		MX123 0.64MM GROMMET PLUG	N/A	N/A	N/A	NATURAL	AVAILABLE
21	YAZAKI	7116-4150-02	12588066	02JN03		2.8mm YESC SEALED FEMALE TERMINAL TIN 0.35mm2-0.50mm2	N/A	N/A	N/A	N/A	NOT ACTIVE
22	YAZAKI	7116-4151-02	12588067	02JN03		2.8mm YESC SEALED FEMALE TERMINAL TIN 0.75mm2-1.0mm2	N/A	N/A	N/A	N/A	NOT ACTIVE
23	YAZAKI	7116-4152-02	12582685	02JN03		2.8mm YESC SEALED FEMALE TERMINAL TIN 1.5mm2-2.5mm2	N/A	N/A	N/A	N/A	AVAILABLE
24	YAZAKI	7158-3111-60	12588068	02JN03		2.8mm CABLE SEAL (wire O.D. range 1.2mm-1.9mm)	N/A	N/A	N/A	GREEN	NOT ACTIVE
25	YAZAKI	7158-3112-70	12588069	02JN03		2.8mm CABLE SEAL (wire O.D. range 1.8mm-2.3mm)	N/A	N/A	N/A	YELLOW	NOT ACTIVE
26	YAZAKI	7158-3113-40	12582686	02JN03		2.8mm CABLE SEAL (wire O.D. range 2.1mm-3.0mm)	N/A	N/A	N/A	WHITE	AVAILABLE
27	YAZAKI	7158-3114-90	12674821	02JN03		2.8mm YESC CAVITY PLUG	N/A	N/A	N/A	BLUE	AVAILABLE
28	DELPHI	33140138	12646399	10JA14		6.35mm APEX RCPT TERM Sn/Ag GRIP CODE-10 (6mm2) - GREASED	N/A	N/A	N/A	N/A	AVAILABLE
29	DELPHI	33140135	12654556	10JA14		6.35mm APEX RCPT TERM Sn/Ag GRIP CODE-TBD (1mm2) - GREASED	N/A	N/A	N/A	N/A	AVAILABLE
30	OSR	A-0549C	12646688	01SE14		6.35mm CABLE SEAL (FOR 6.0mm2 WIRE SIZE - 3.6 TO 4.2mm INSULATION OD)	N/A	N/A	N/A	WHITE	AVAILABLE
31	OSR	A-0549B	12654557	01SE14		6.35mm CABLE SEAL (FOR 0.75-1.25mm2 WIRE SIZE - 1.8 TO 2.3mm INSULATION OD)	N/A	N/A	N/A	BLUE	AVAILABLE
32	MOLEX	63825-8400	N/A	02JN03		MX64 TERM HAND CRIMP TOOL	N/A	N/A	N/A	N/A	AVAILABLE
33	MOLEX	63813-1400	XX019826	02JN03		MX64 TERM SERVICE TOOL	N/A	N/A	N/A	N/A	AVAILABLE
34	MOLEX	63902-5300	N/A	02JN03		MX64 CRIMP APPLICATOR with TOOL KIT 0.5/0.75mm2 PAYOFF DIRECTION D (left payoff) (contact Molex for payoff detail)	N/A	N/A	N/A	N/A	AVAILABLE
35	MOLEX	63902-5370	N/A	02JN03		MX64 APPLICATOR TOOL KIT 0.5/0.75mm2	N/A	N/A	N/A	N/A	AVAILABLE
36	MOLEX	63902-5100	N/A	02JN03		MX64 CRIMP APPLICATOR with TOOL KIT 0.35mm2 PAYOFF DIRECTION D (left payoff) (contact Molex for payoff detail)	N/A	N/A	N/A	N/A	AVAILABLE
37	MOLEX	63902-5170	N/A	02JN03		MX64 APPLICATOR TOOL KIT 0.35mm2	N/A	N/A	N/A	N/A	AVAILABLE
38	SPX	J35616-64	T.B.D.	02JN03		0.64mm PROBE TOOL (for rcpt)	N/A	N/A	N/A	N/A	AVAILABLE
39	SPX	J35616-64A	T.B.D.	02JN03		0.64mm PROBE TOOL WITH EXT (for rcpt)	N/A	N/A	N/A	N/A	AVAILABLE
40	SPX	J35616-65	T.B.D.	02JN03		0.64mm PROBE TOOL WITH EXT (for pin)	N/A	N/A	N/A	N/A	AVAILABLE
41	SPX	J35616-4A	T.B.D.	02JN03		2.8mm PROBE TOOL (for rcpt)	N/A	N/A	N/A	N/A	AVAILABLE
42	YAZAKI	X39899-J374	12094430	02JN03		2.8mm TERM SERVICE TOOL	N/A	N/A	N/A	N/A	AVAILABLE
43	TQI	7000-1001	N/A	01FE15		18CKT PASS THROUGH ADAPTERS	N/A	N/A	N/A	BLACK	AVAILABLE
44	TQI	7000-1004	N/A	01FE15		49CKT PASS THROUGH ADAPTERS	N/A	N/A	N/A	BLACK	AVAILABLE
45	TQI	79917-0060	N/A	02JA08		56CKT PASS THROUGH ADAPTERS	N/A	N/A	N/A	BLACK	AVAILABLE
46	MOLEX	63813-1500	J-38125-217	01SE14		6.35mm APEX TERM SERVICE TOOL	N/A	N/A	N/A	N/A	AVAILABLE

\* MX123 WIRE HARNESS COVER  
MATES TO ANY 18/49/56 CKT  
MX123 HARN CONN ASSY  
SHOWN ON THIS TABLE



PAGE TITLE  
COMPONENT TABLE

DRAWING NUMBER

12672832

DWG STATUS

ST REV PDI

R 001

PAGE NUMBER

5 of 23

NOTES: UNLESS OTHERWISE SPECIFIED

1. MATERIAL FOR INTERFACE:

- A. RESIN:
  - 1. 30% G.F. PBT; 20% MAX. (BY WEIGHT) REGRIND.
  - 2. MATING CONNECTOR INTERFACE PART COLOR MUST BE SAME AS MATCHING KEYED HARNESS CONNECTOR ASSEMBLY.
  - 3. MUST BE VALIDATED FOR INDIVIDUAL DEVICE APPLICATION REQUIREMENTS.
- B. 0.64MM PINS:
  - 1. BASE MATERIAL: COPPER ALLOY; CONDUCTIVITY >= 28% IACS AT 20°C; TENSILE STRENGTH >= 635 N/mm<sup>2</sup>; SURFACE ROUGHNESS R<sub>a</sub> 6 MAX.
  - 2. PLATING FINISH: SILVER (Ag). PLATING TO BE 1.9-3.3 μm ELECTRODEPOSITED SEMI-BRIGHT SILVER OVER 1.25-2.25 μm DUCTILE SULPHAMATE NICKEL PER NOTE 1(D).
  - 3. ANTI-TARNISH: SYNTHETIC HYDROCARBON CONTACT SURFACE FINISH OR EQUIVALENT APPLIED WITHOUT VOID TO CONTACT AREA (MIN 3.7mm FROM PIN TIP).
- C. 2.8MM BLADE:
  - 1. BASE MATERIAL: COPPER ALLOY; CONDUCTIVITY >= 28% IACS AT 20°C; TENSILE STRENGTH >= 350 N/mm<sup>2</sup>; SURFACE ROUGHNESS R<sub>a</sub> 6 MAX.
  - 2. PLATING FINISH: TIN. PLATING TO BE 2.5-5.0 μm ELECTRODEPOSITED TIN, MATTE FINISH OVER 1.25-2.5μm DUCTILE SULPHAMATE NICKEL PER NOTE 1(D).
- D. 6.3MM BLADE:
  - 1. BASE MATERIAL: COPPER ALLOY; CONDUCTIVITY >= 50% IACS AT 20°C;
  - 2. PLATING FINISH: SILVER (Ag) PLATING TO BE 1.9-3.3 μm ELECTRODEPOSITED SEMI-BRIGHT SILVER, OVER 1.25-2.5μm DUCTILE SULPHAMATE NICKEL PER NOTE 1(D) WITH ENVIRONMENTAL BARRIER OR TIN/SILVER (ELECTRO-DEPOSITED), UNDERPLATE 0.5-2.0 μm NICKEL OR COPPER. TOP PLATING: 1.0-3.0 μm (SILVER RANGE 3.75-X.XX NO ANTI-TARNISH COATING REQUIRED).
- E. PLATING REQUIREMENTS:
  - 1. SILVER PLATING
    - a. 99.5% PURE SEMI-BRIGHT WITH NO ORGANIC BRIGHTNERS OR CHROMATES.
  - 2. NICKEL PLATING
    - a. ELECTRODEPOSITED DUCTILE SULFAMATE NICKEL WITH A NON-BRIGHTENED FINISH. NO ORGANIC OR BRIGHTENING AGENTS SHALL BE ALLOWED.
    - b. SHALL ONLY BE USED AS AN UNDERLYING PLATING AND MAY NOT BE USED AS AN ELECTRICAL CONTACT SURFACE PLATING.
    - c. SHALL BE NODULE FREE WHEN VIEWED AT 10X MAGNIFICATION IN MEASURED IN CONTACT SURFACE AREA PLUS 0.5MM PERIMETER AROUND THE CONTACT SURFACE AREA.
    - d. ALL PLATINGS SHALL HAVE A 1.0% MAXIMUM BY WEIGHT IMPURITIES. IMPURITIES ARE DEFINED AS ALL ELEMENTS NOT THE PRIMARY PLATING OR HARDENING AGENT IF APPLICABLE, AS DETERMINED BY WET CHEMICAL ANALYSIS OR AUGER METHOD. NO SINGLE IMPURITY SHALL EXCEED 0.1% MAXIMUM BY WEIGHT.
  - 3. TESTING
    - a. THICKNESS TO BE MEASURED IN CONTACT SURFACE AREA PLUS 0.5MM PERIMETER AROUND THE CONTACT SURFACE AREA AS DESIGNATED IN THE DRAWING. THICKNESS SHALL BE DETERMINED BY METHOD OF X-RAY (XRF).
    - b. PLATING ADHESION SHALL BE TESTED BY A BEND TEST FOR ALL METALS. THE TEST SAMPLE SHALL BE BENT 90 DEGREES TO DETERMINE DEPOSIT ADHESION. TESTING SHALL BE COMPLETED IN ACCORDANCE WITH ASTM SPEC B571.

2. DESIGN - GENERAL:

- A. THIS IS A 100% CAD GENERATED PART. THE CAD MATHEMATICAL DATA IS THE MASTER FOR THIS PART. WHERE DIMENSIONS ARE SPECIFIED ON THE DRAWING, THE DRAWING IS THE AUTHORITY FOR DIMENSIONAL VALUES. FOR DIMENSIONAL OR ANY INFORMATION NOT SHOWN ON THIS DRAWING, ANALYZE THE CAD MODEL.
- B. DIMENSIONS OBTAINED FROM THE DIGITAL MODEL ARE BASIC:
  - 1. FOR RELATIONSHIPS BETWEEN FEATURES WHEN ESTABLISHED BY GEOMETRIC TOLERANCES.
  - 2. FOR THE FORM OF A FEATURE WHEN CONTROLLED BY A PROFILE TOLERANCE.
  - 3. FOR THE SIZE, FORM AND/OR RELATIONSHIP BETWEEN FIXED DATUM TARGETS.
- C. DIMENSIONS OBTAINED FROM THE DIGITAL MODEL ARE ROUNDED TO TWO DECIMAL PLACES (PER IEEE/ASTM SI 10-2002)
- D. VIEWS AND SECTIONS ON THIS DRAWING ARE IN ACCORDANCE WITH GM DCS SECTION C3.
- E. THE DIGITAL MODEL MUST CORRESPOND TO THE RELEASE LEVEL SHOWN IN THE PART BLOCK ON THIS DOCUMENT.
- F. TOLERANCES:
  - 1. LINEAR
 

0.X	±	0.30
0.XX	±	0.10
0.XXX	±	0.10
  - 2. ANGULAR
 

X°	±	3°
----	---	----
  - 3. 1.0|A|B|C
- G. MINIMUM WALL THICKNESS REQUIRED: 1.3mm.
- H. CORNERS SHOWN AS SHARP TO BE R 0.2 MAX.
- J. LETTERING SHALL BE 0.15 MAX RAISED IN 0.20 MAX RECESS PAD. THIS INCLUDES MATERIAL CODE, RECYCLING CODE, CAVITY ID AND DATE CODE.
- K-1. PARTS MUST BE FREE OF DISCOLORATION, SALT RESIDUE AND OTHER IMPERFECTIONS THAT AFFECT FIT OR FUNCTION.
- K-2. SCRATCHES OR DENTS NOT TO EXCEED 0.013mm IN DEPTH.
- L. FOLLOWING PRODUCTION CODES TO BE PERMANENTLY MARKED & HUMAN READABLE TO A LETTER HEIGHT OF 1.5 ±0.5MM X 0.3 MAX DEEP
  - 1. MATERIAL #: XXXXX-XXXX
  - 2. DATE CODE: JJJY (JULIAN DAY, LAST DIGIT OF YEAR)
  - 3. INSPECTION MACHINE CODE + SERIAL #: X\_XXXXXX

3. DESIGN - MANUFACTURING:

- A. DRAFT TO BE WITHIN TOLERANCE.
- B. ALLOWABLE FLASH MAX 0.2 HIGH X MAX 0.13 THICK.
- C. ALLOWABLE PARTING LINE MISMATCH 0.2 MAX.
- D. EJECTOR PINS MARK TO BE FLUSH TO 0.25 MAX DEPRESSED.
- E. ALLOWABLE GATE VESTIGE FLUSH TO 0.25 MAX PROTRUSION.
- F. NO EXTERNAL MOLD RELEASE AGENT ALLOWED DURING MANUFACTURING.
- G. STEEL THAT FORMS THE INDICATED SURFACE MUST BE POLISHED WITH A DIAMOND FINISH (SPI A-2) OVER THE FULL PERIPHERY OF THE TOOL. SURFACE MUST HAVE NO MISMATCH.
- H. ANY PROCESS LUBRICANT REMAINING ON THE TERMINAL MUST NOT VARNISH OR DEGRADE IT'S ELECTRICAL PERFORMANCE UP TO A MAXIMUM CLASS AMBIENT TEMPERATURE PER SAE USCAR-2 FOR 1008 HOURS. PROCESS LUBRICANTS SHOULD BE APPROVED BY THE RESPONSIBLE ENGINEER.
- J. OPTIONAL FEATURES PROVIDED FOR AUTOMATION.
- K. PART MUST BE FREE FROM BURRS AND SHARP EDGES, WHICH MIGHT BE DETRIMENTAL TO SATISFACTORY ASSEMBLY, SAFE HANDLING OR FUNCTION OF PART.
- L. PARTS AS DELIVERED TO ASSEMBLY SHALL BE CLEAN AND FREE OF DEBRIS, RESIDUAL ABRASIVE MATERIAL AND CORROSION PRODUCTS ADVERESLY AFFECTING FUNCTION OR APPEARANCE.
- M. RESTRICTED AND REPORTABLE SUBSTANCES FOR PARTS PER GMW3059.

	PAGE TITLE		DRAWING NUMBER	DWG STATUS			PAGE NUMBER	
	NOTES		12672832	ST	REV	PDI	6 of 23	
				R	001			

NOTES: UNLESS OTHERWISE SPECIFIED

4. SYSTEM REQUIREMENTS:

- A. HARNESS CONNECTOR IS COMPATIBLE WITH THE FOLLOWING WIRE SIZE NO'S:  
 0.35mm<sup>2</sup>, MEETING GMW15626 - MIN OD OF 1.30MM  
 0.50mm<sup>2</sup>, MEETING GMW15626  
 0.75mm<sup>2</sup>, MEETING GMW15626 - MIN OD OF 2.06MM

B. CABLE TIE SPECIFICATIONS:

1. CABLE TIE:  
 TENSILE RATING: 220N / (50lbs) MIN  
 TIE LENGTH: 186mm MIN  
 TIE WIDTH: 4.75mm MAX  
 MATERIAL: NYLON
2. INSTALLATION:  
 CABLE TIE TENSION: 190N MIN
3. DRESSED WIRE BUNDLE PACKAGING: SEE FIG. 1

C. WHEN MATED WITH COMPONENT CONNECTOR INTERFACE AND/OR DRESS COVER, HARNESS CONNECTOR SYSTEM CONFORMS TO THE FOLLOWING:

1. SAE/USCAR-2, REV: 3 APRIL, 2001; CLASS 3
2. FIELD CORRELATED LIFE TEST, SAE/USCAR-20, NOV. 2001
3. GMW #3191 AUGUST 22, 2000 (DRAFT); TEMPERATURE CLASS 3 (145°C), SEALING CLASS 1 (HIGH PRESSURE SPRAY), VIBRATION CLASS 2 (ON BODY)
4. TPA USER FORCES (FULLY POPULATED WITH TERMINALS)
  - α. REMOVAL FROM LOCK TO PRE-SET: <=120N

D. WIRE SPECIFICATIONS:

1. WIRE SURFACE MUST BE FREE OF SCRATCHES, GROOVES OR DENTS WHERE FUNCTIONAL

5. TERMINAL CURRENT RATINGS:

A. MX64 RCPT TERM

ALL TESTING DONE IN ACCORDANCE WITH USCAR-2 REV5 SECTION 5.3

1. MX64 RCPT TERM Ag 0.50/0.75mm<sup>2</sup> CRIMPED TO 0.75mm<sup>2</sup> ISO WIRE AND MATED TO MX123 0.64MM PIN: SEE TABLE BELOW
2. MX64 RCPT TERM Ag 0.35mm<sup>2</sup> CRIMPED TO 0.35mm<sup>2</sup> ISO WIRE AND MATED TO MX123 0.64MM PIN: SEE TABLE BELOW

WIRE	CURRENT RATING			
	23 °C	85 °C	105 °C	125 °C
0.75mm <sup>2</sup>	11.3A	11.3A	9.5A	6.6A
0.50mm <sup>2</sup>	10.0A	10.0A	8.3A	5.7A
0.35mm <sup>2</sup>	8.5A	8.5A	7.1A	5.0A

B. 2.8MM RCPT TERM

ALL TESTING DONE IN ACCORDANCE WITH MOLEX DVP&R 0279 (TR# 7125)

1. 2.8MM RCPT TERM TIN 2.0mm<sup>2</sup> CRIMPED TO 2.0mm<sup>2</sup> ISO WIRE AND MATED TO MX123 2.8MM BLADE: 25.6 AMPS AT 125°C

C. 6.3MM RCPT TERM - DELPHI APEX

ALL TESTING DONE IN ACCORDANCE WITH USCAR-2 REV5 SECTION 5.3

1. 6.3MM RCPT TERM TIN/SILVER CRIMPED TO 6.0MM<sup>2</sup> WIRE AND MATED TO MOLEX 6.3MM<sup>2</sup> BLADE (Sn/Ag PLATED): 36A AT 125°C

6. CONTACT MOLEX AUTOMOTIVE FOR AVAILABLE CUSTOM PATTERNS OF CAVITIES OPEN FOR CIRCUITS - SEE GM DRAWING 13507495



PAGE TITLE  
NOTES

DRAWING NUMBER

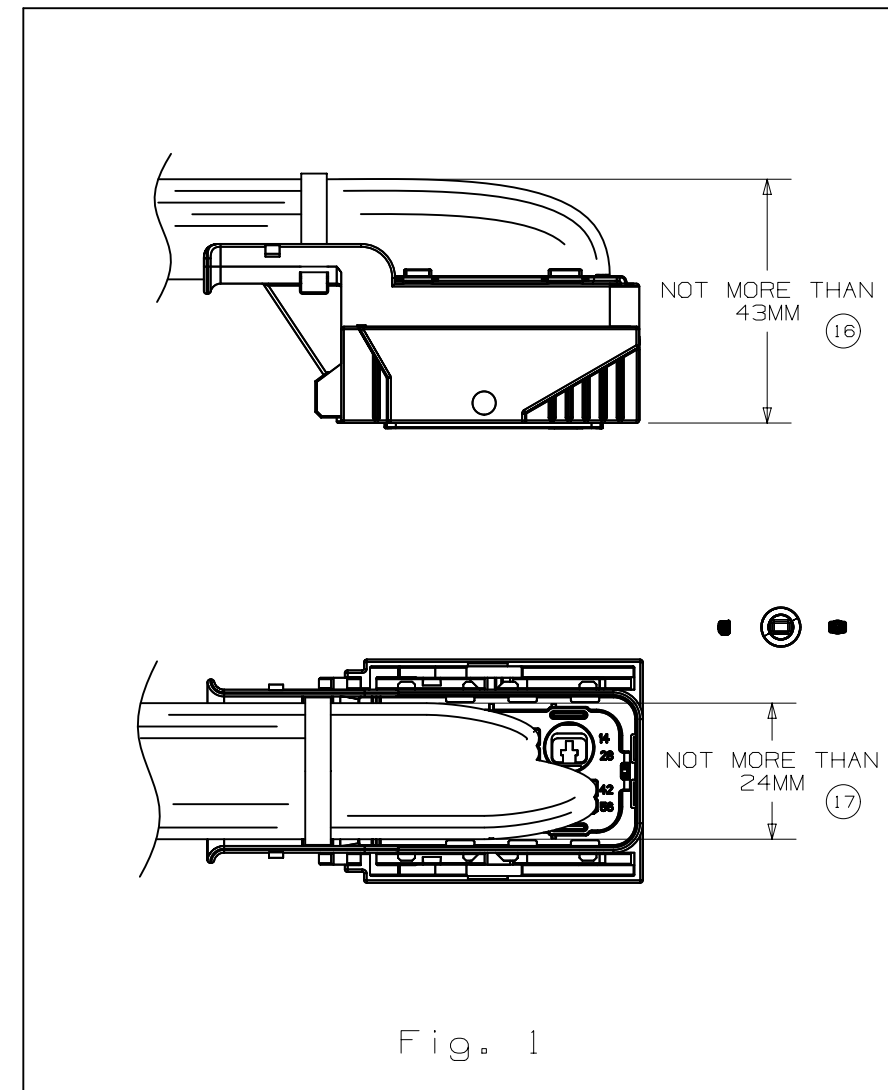
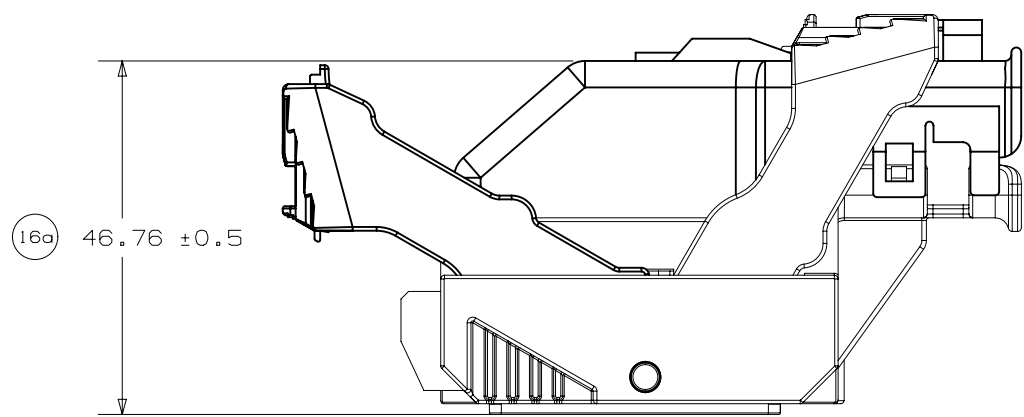
12672832

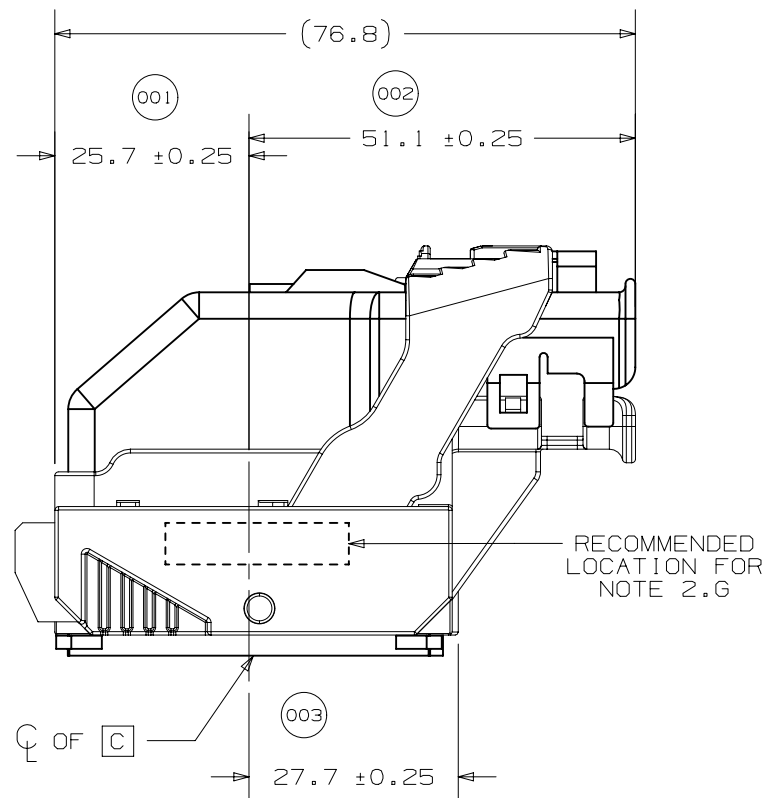
DWG STATUS

ST	REV	PD1
R	001	

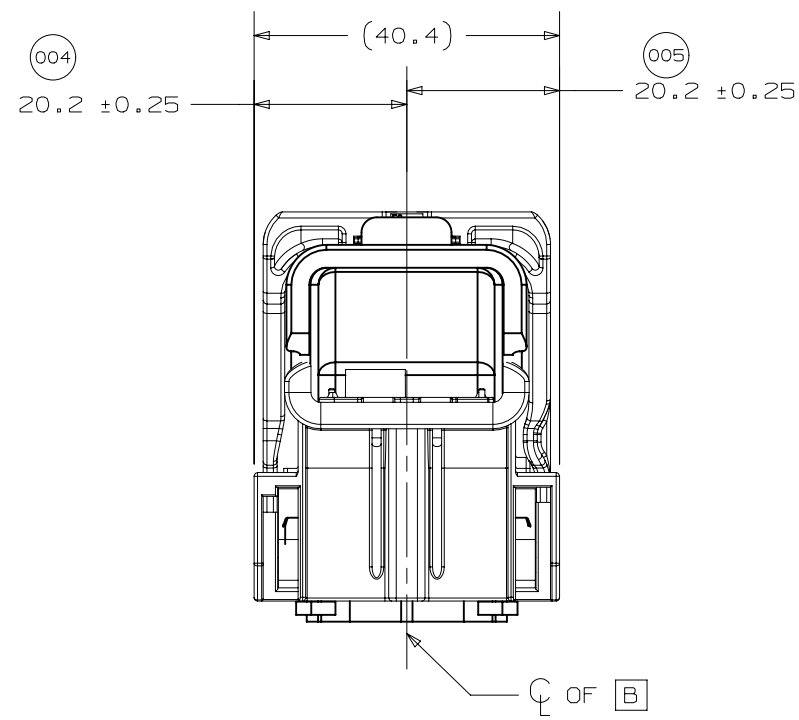
PAGE NUMBER

7 of 23

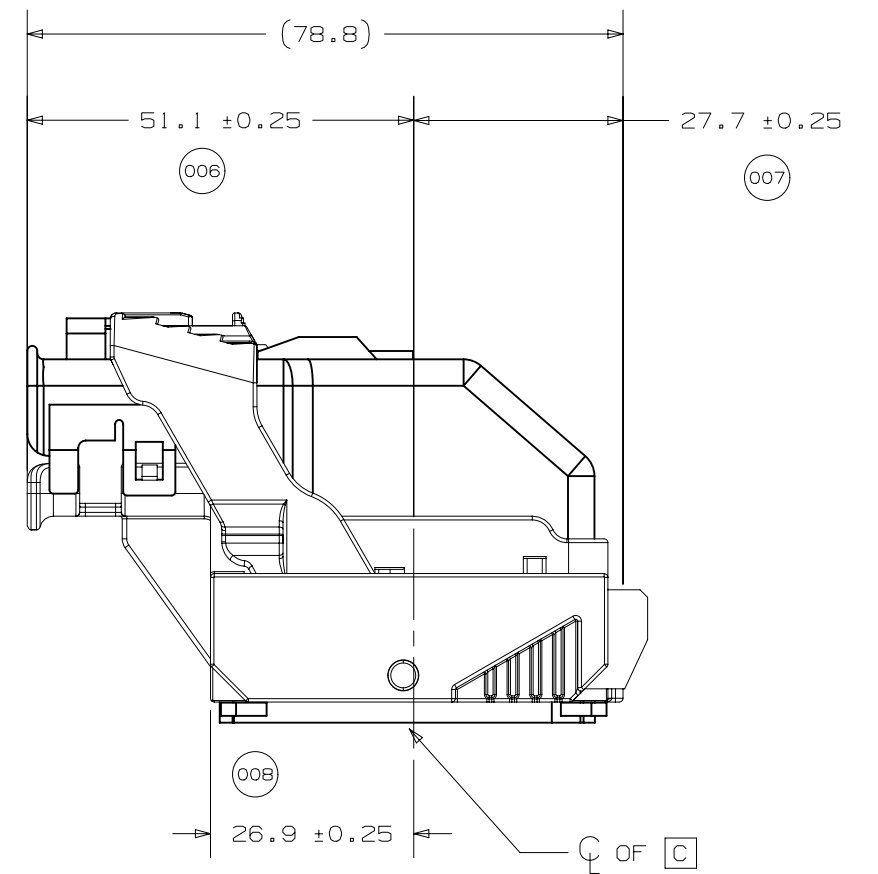




WIRE DRESS OPTION 0 SHOWN

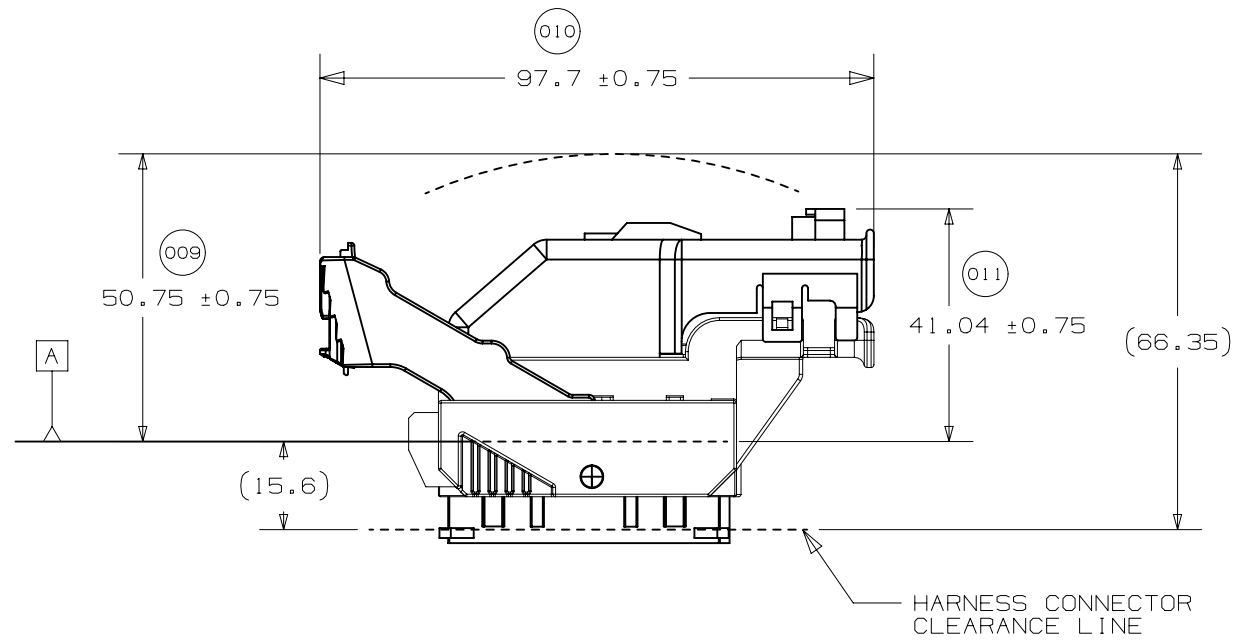
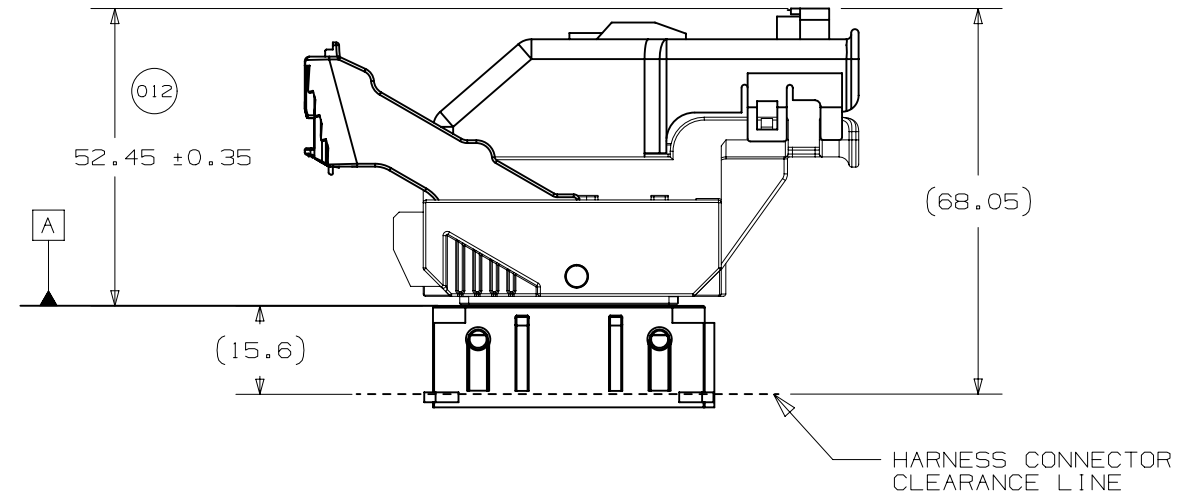


WIRE DRESS OPTION 0 SHOWN

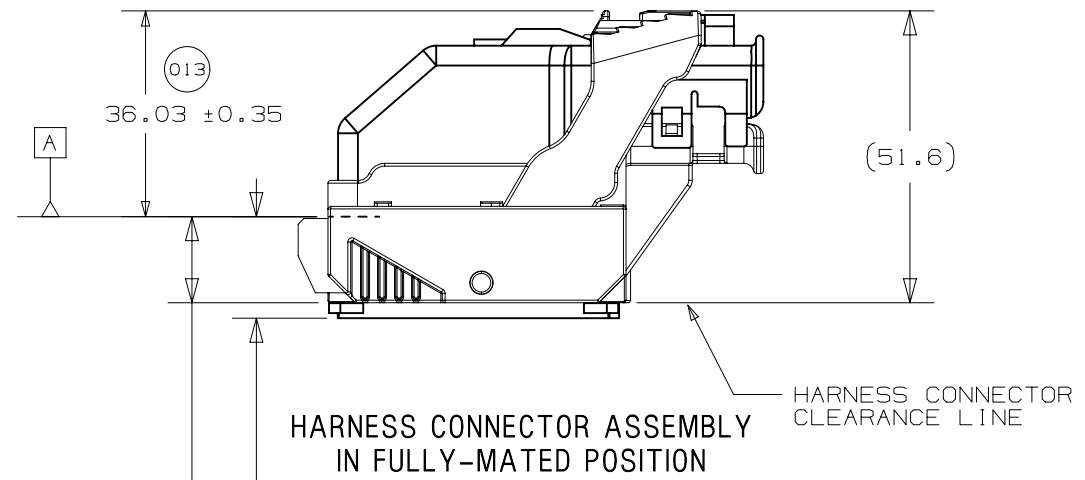


WIRE DRESS OPTION 9 SHOWN





HARNESS CONNECTOR ASSEMBLY  
IN PRE-LOCK POSITION

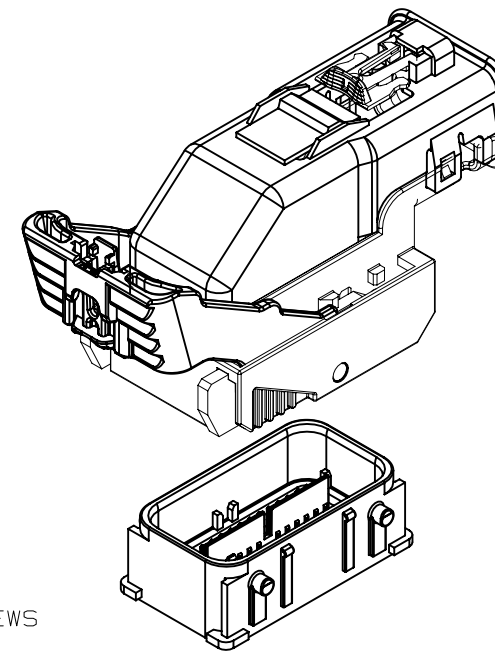
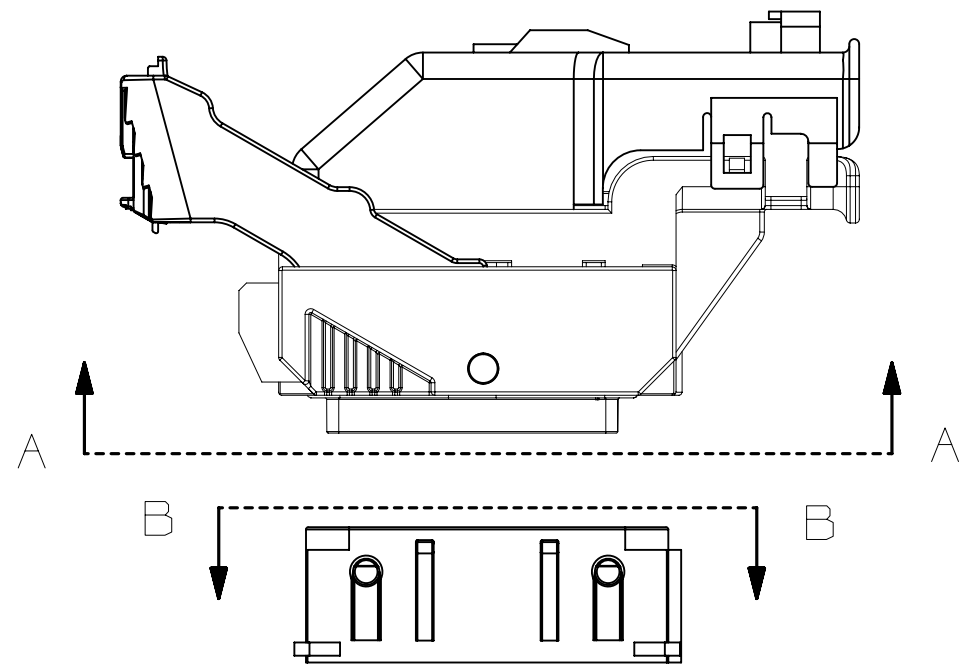


HARNESS CONNECTOR ASSEMBLY  
IN FULLY-MATED POSITION

17.9 MIN. AT PAD LOCATION  
CLEARANCE REQUIRED  
FOR HARNESS CONNECTOR,  
CONSTRUCTION BELOW THIS  
PLANE IS NOT CONTROLLED

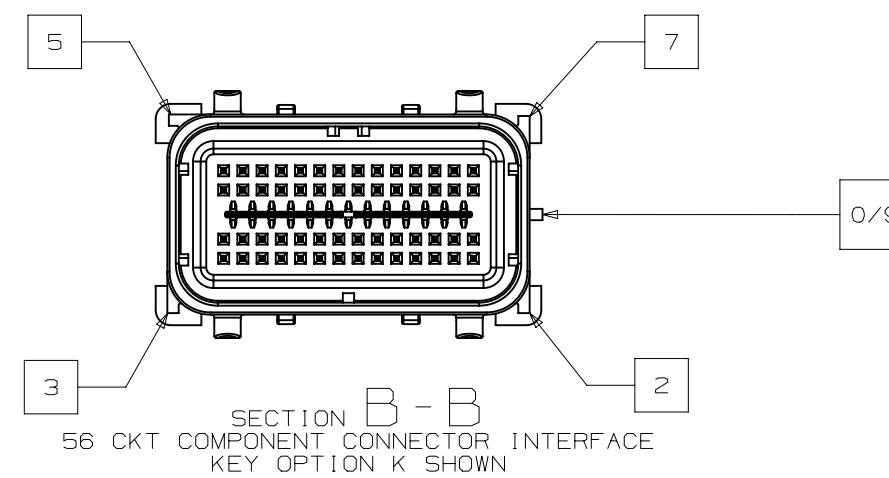
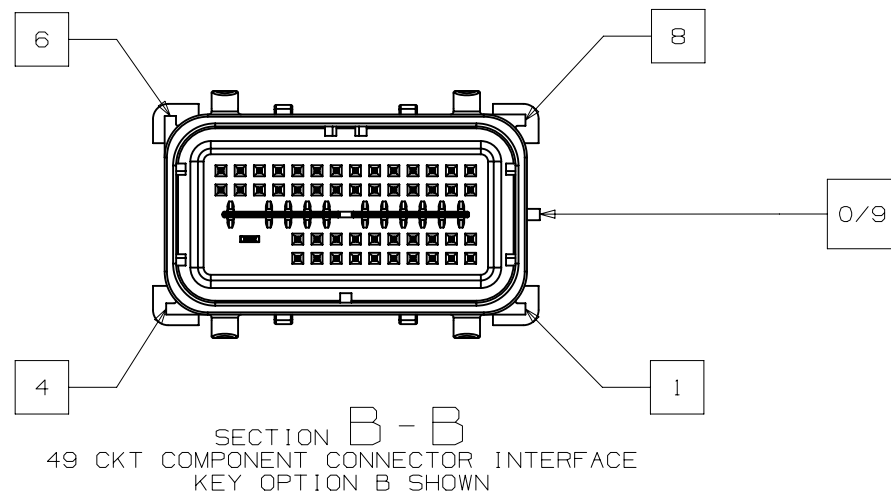
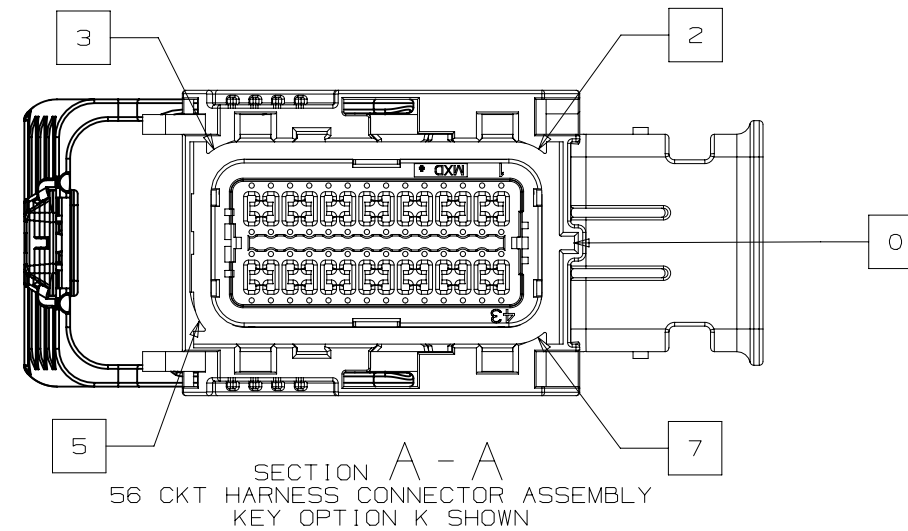
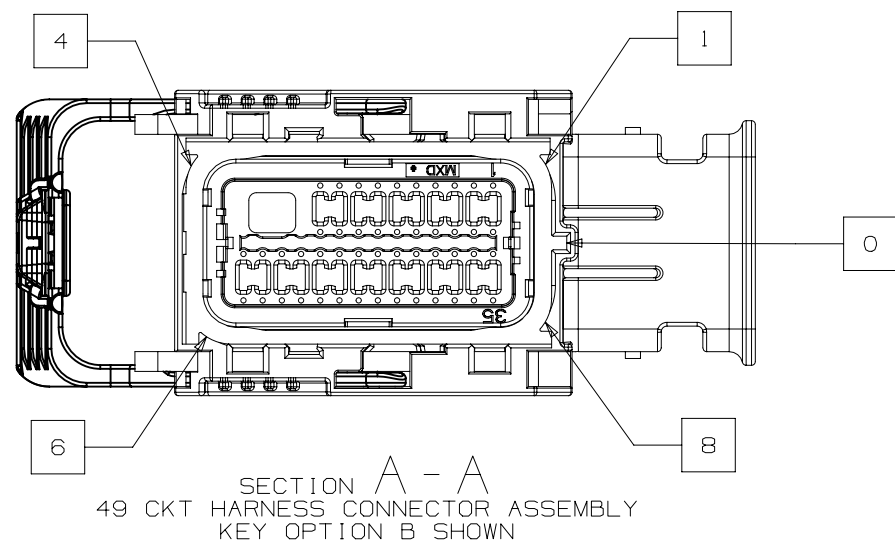
15.6 MIN.  
ALL AROUND  
CLEARANCE REQUIRED  
FOR HARNESS CONNECTOR





NOTE: REFERENCE THE COMPONENT TABLE FOR KEY OPTIONS AND CONFIGURATIONS

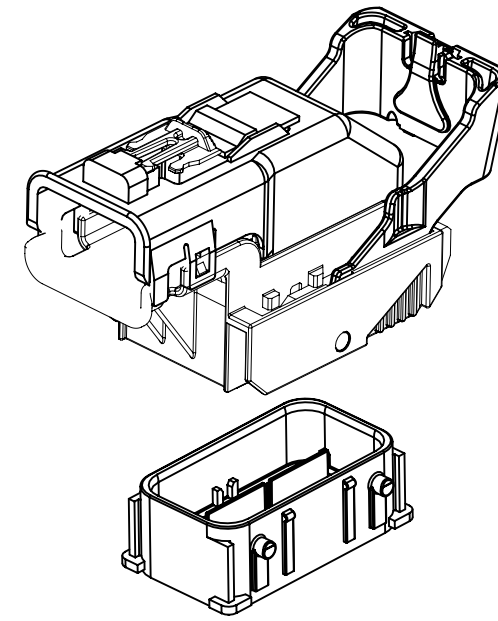
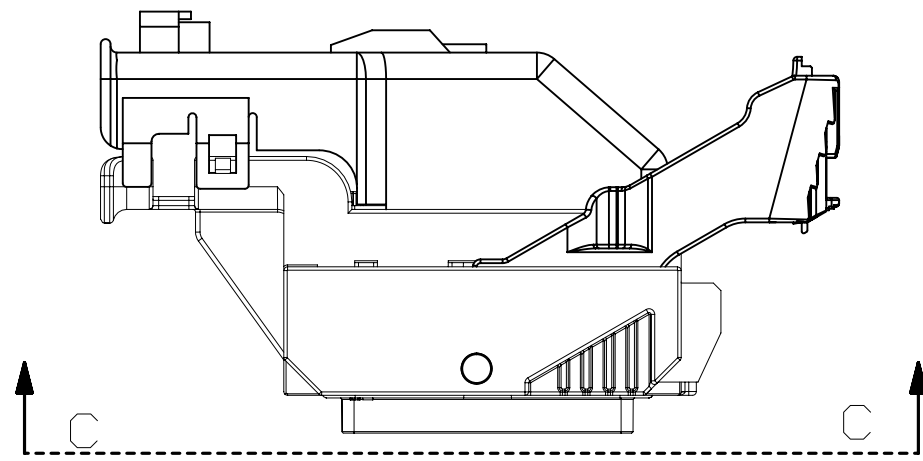
INTERFACE SIDE SHOWN IN ALL SECTION VIEWS



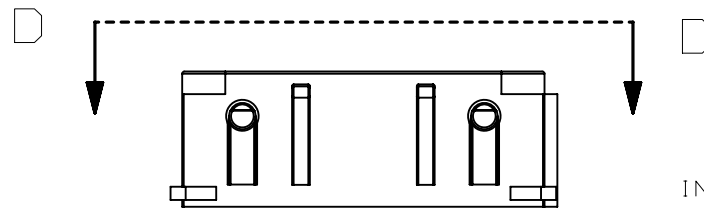
PAGE TITLE  
KEY ID REF - WIRE DRESS OPTION 0

DRAWING NUMBER  
12672832

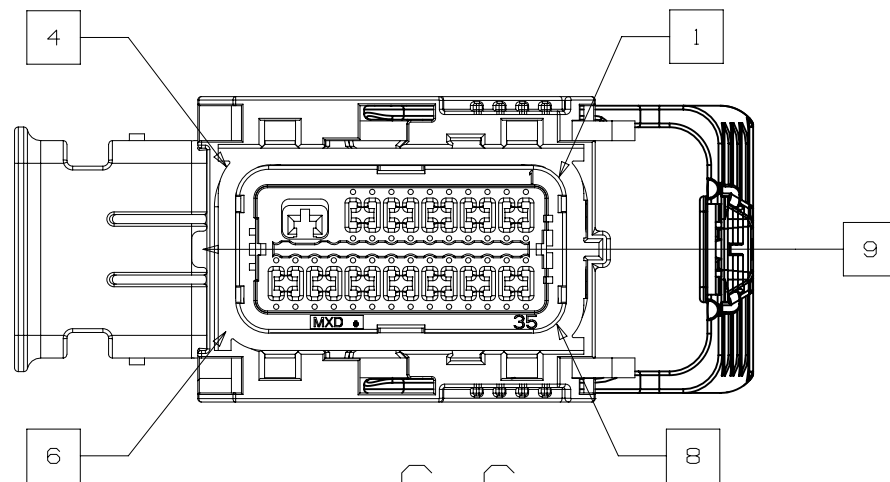
DWG STATUS			PAGE NUMBER	
ST	REV	PD1	11	OF 23
R	001			



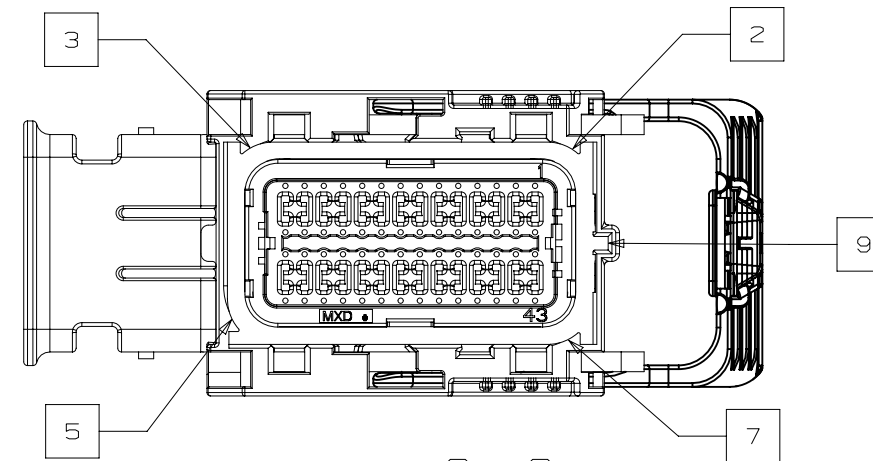
NOTE: REFERENCE THE COMPONENT TABLE FOR KEY OPTIONS AND CONFIGURATIONS



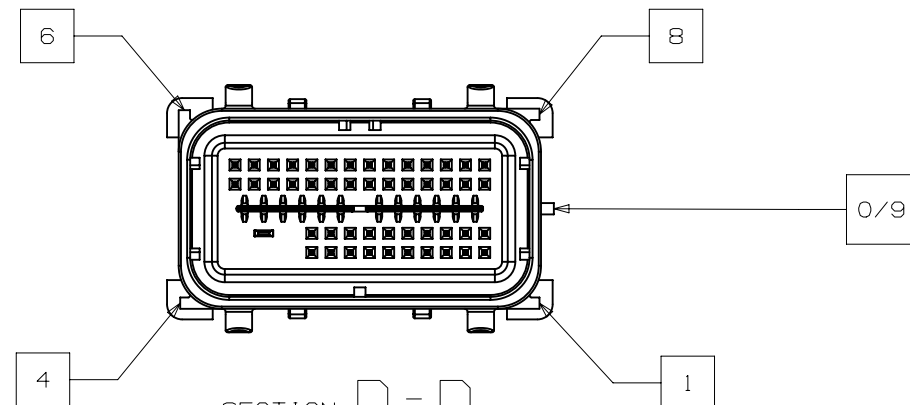
INTERFACE SIDE SHOWN ON ALL SECTION VIEWS



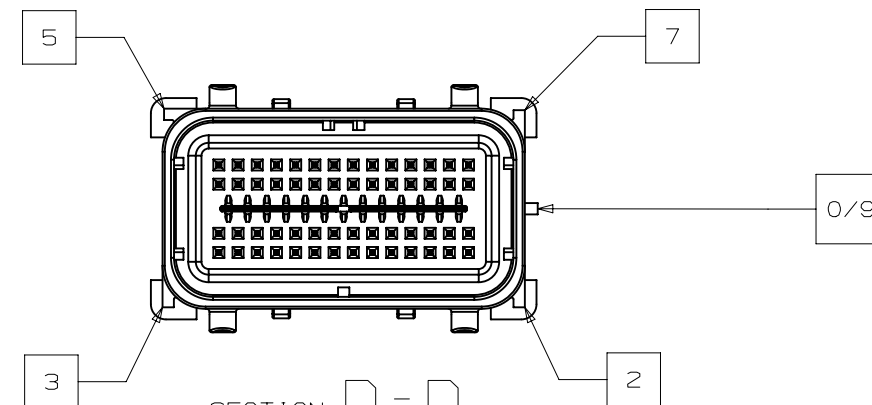
SECTION C - C  
49 CKT HARNESS CONNECTOR ASSEMBLY  
KEY OPTION B SHOWN



SECTION C - C  
56 CKT HARNESS CONNECTOR ASSEMBLY  
KEY OPTION K SHOWN



SECTION D - D  
49 CKT COMPONENT CONNECTOR INTERFACE  
KEY OPTION B SHOWN



SECTION D - D  
56 CKT COMPONENT CONNECTOR INTERFACE  
KEY OPTION K SHOWN



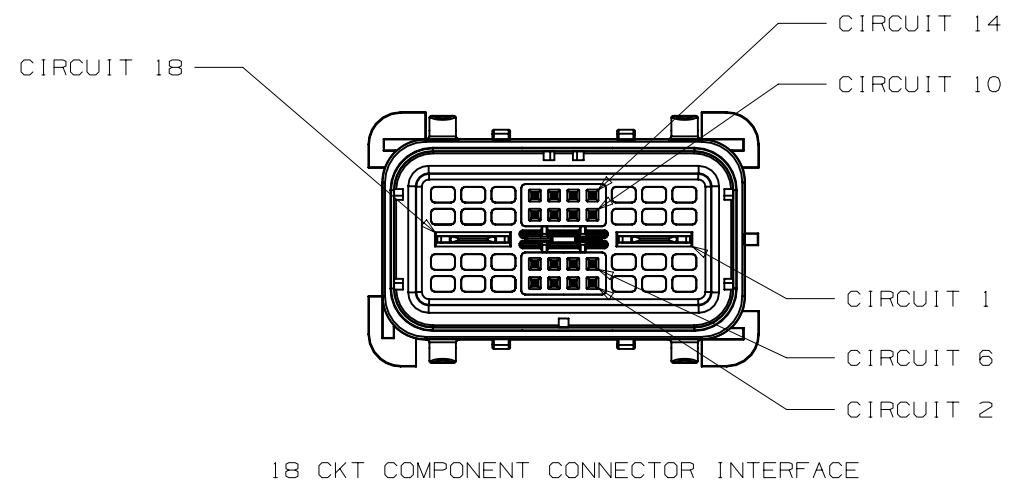
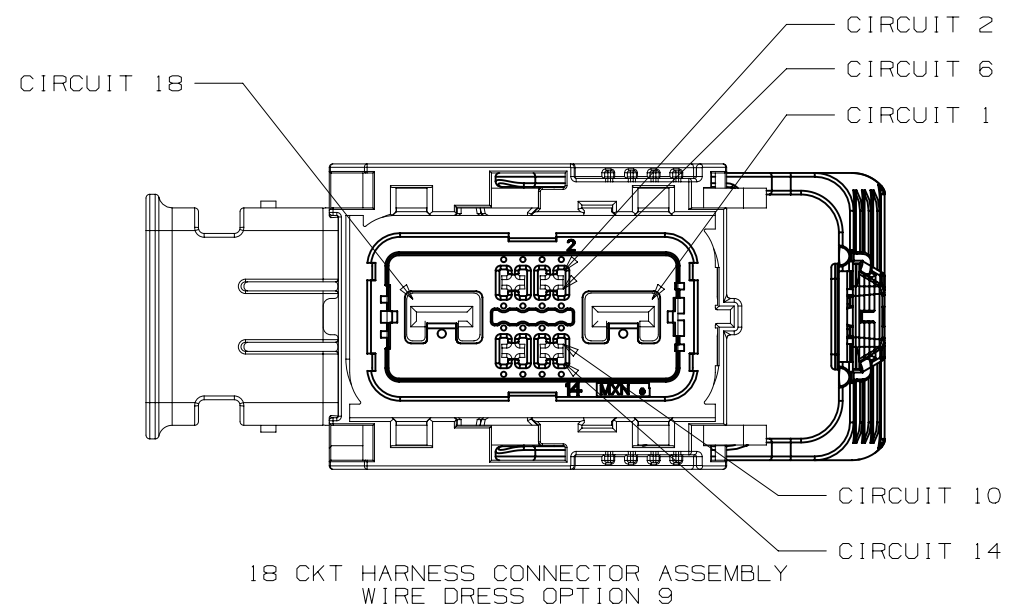
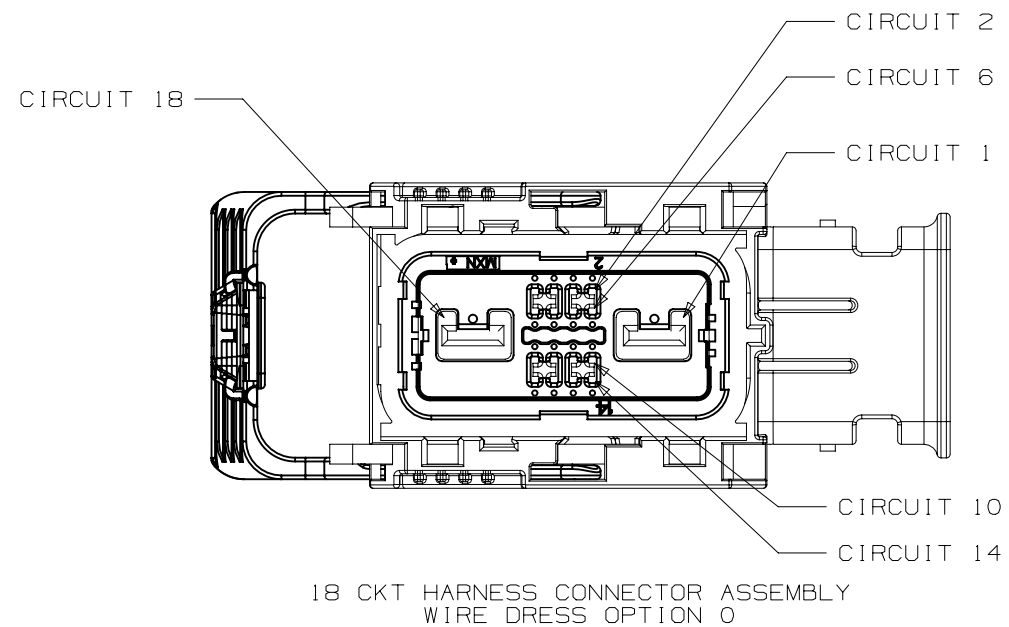
PAGE TITLE  
KEY ID REF - WIRE DRESS OPTION 9

DRAWING NUMBER  
12672832

DWG STATUS		
ST	REV	PD1
R	001	

PAGE NUMBER  
12 OF 23





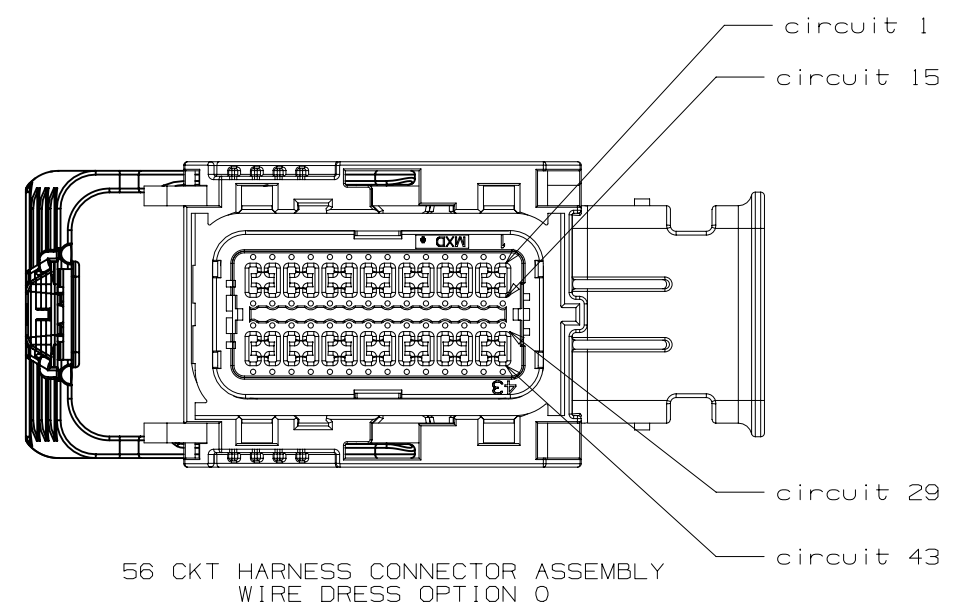
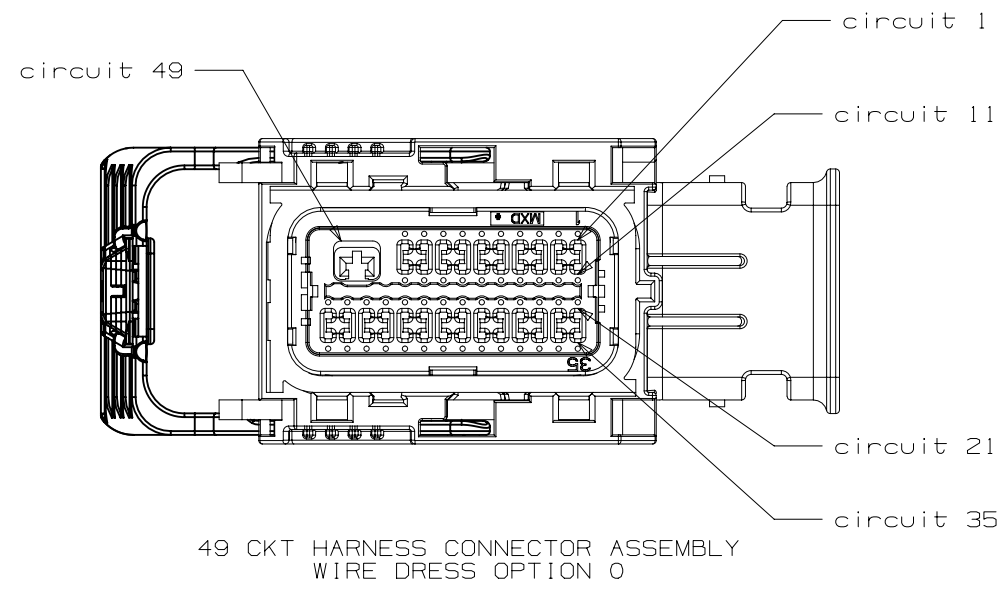
INTERFACE SIDE SHOWN ON ALL VIEWS



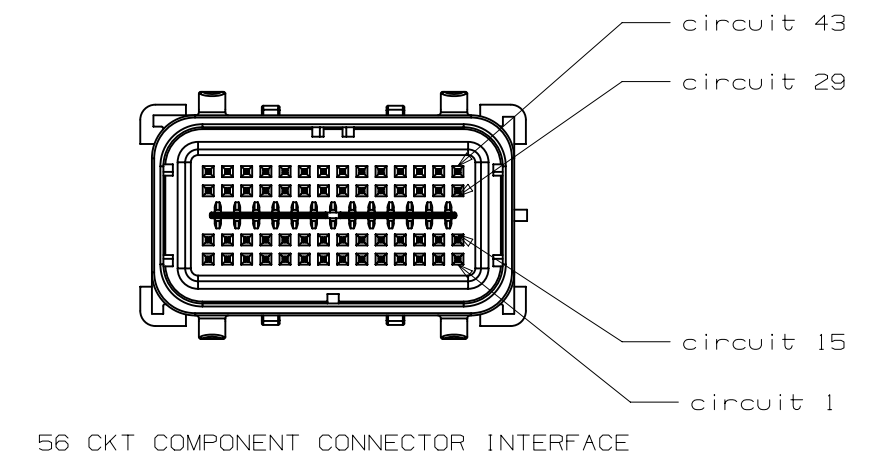
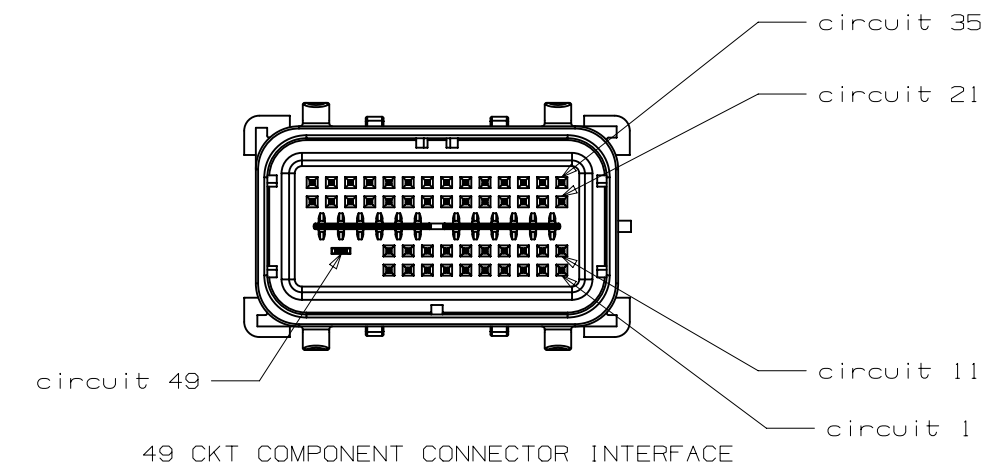
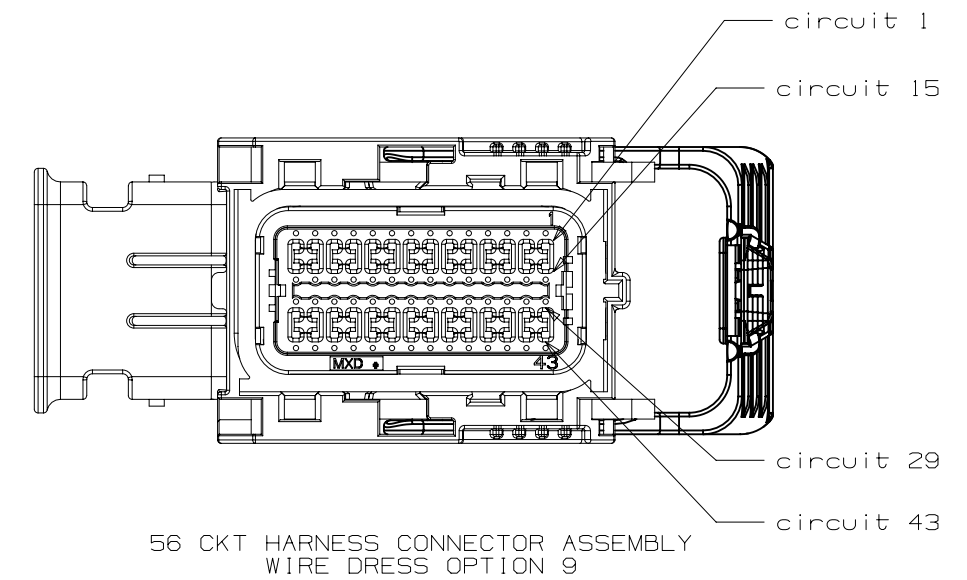
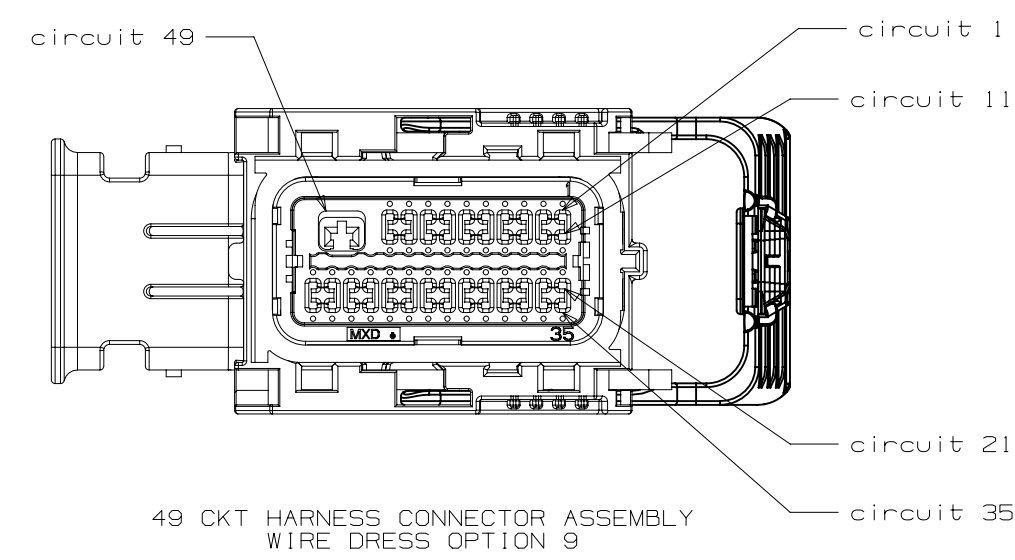
PAGE TITLE  
CIRCUIT CONFIGURATIONS

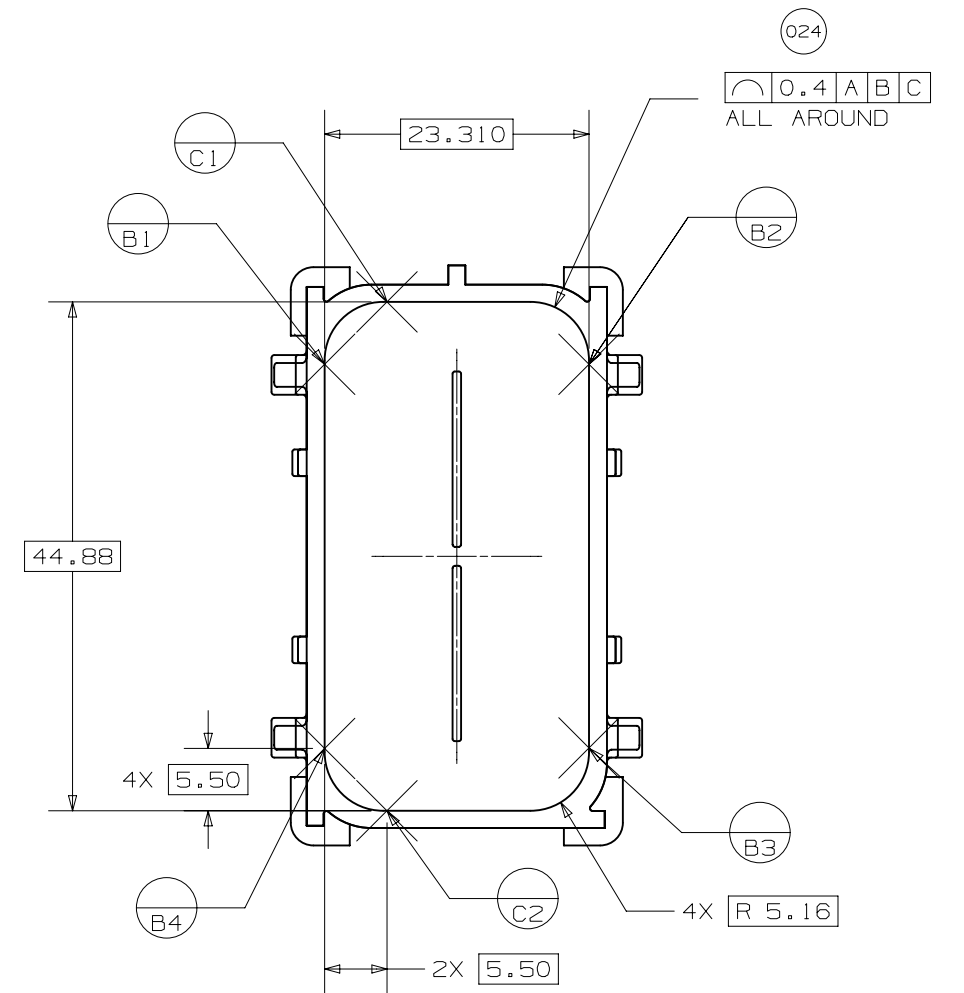
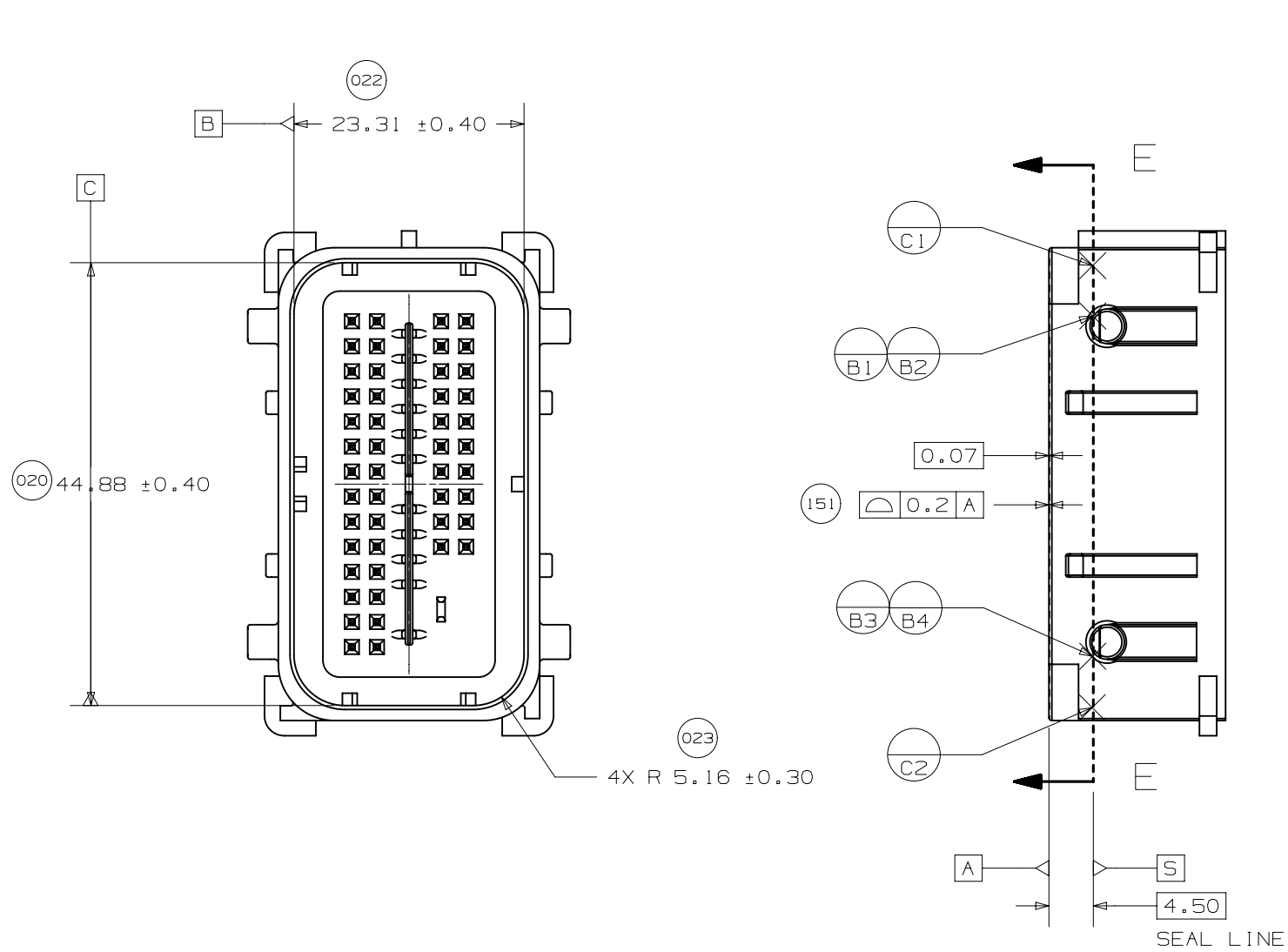
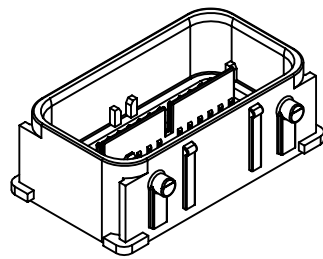
DRAWING NUMBER  
12672832

DWG STATUS			PAGE NUMBER	
ST	REV	PDI	13	OF 23
R	001			



INTERFACE SIDE SHOWN ON ALL VIEWS





SECTION E-E  
(AT SEAL LINE)

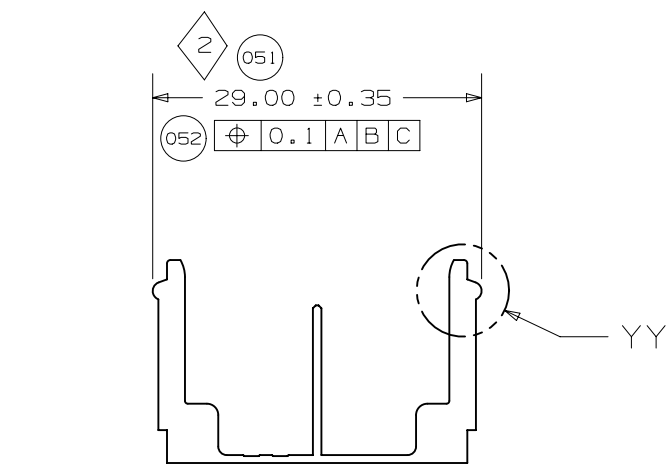
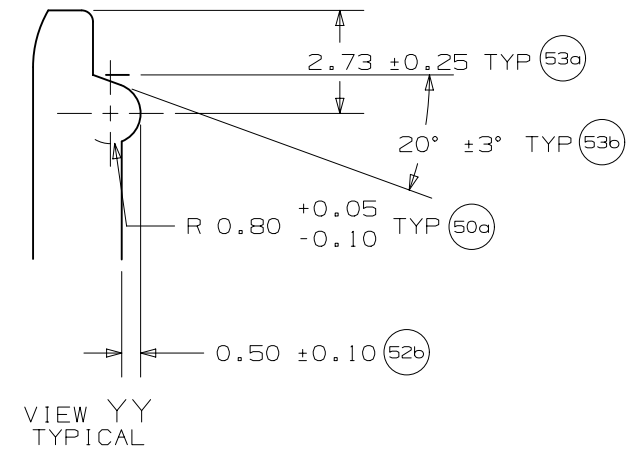
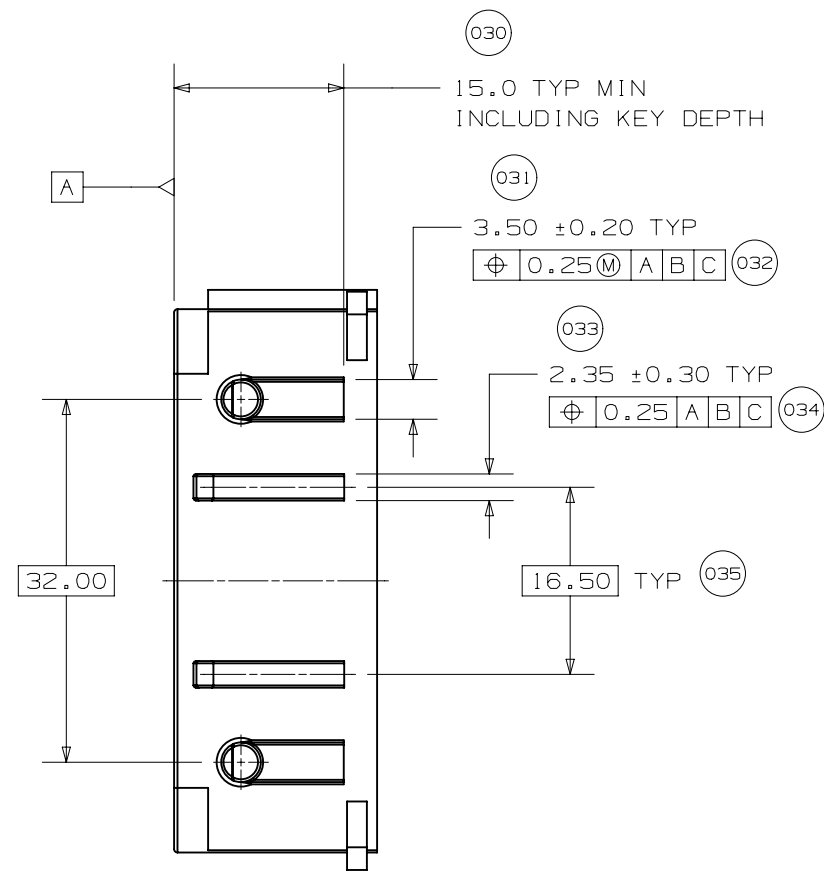
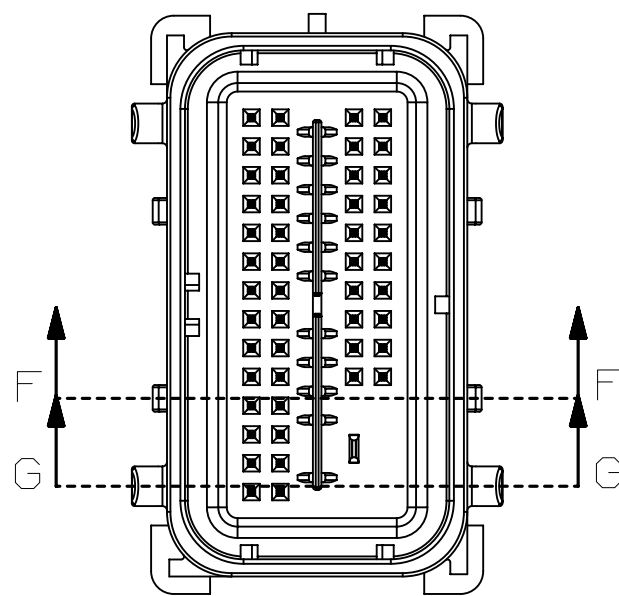
UNLESS SPECIFIED, TOLERANCE OF THE DEVICE INTERFACE TO BE  $\nabla 0.13 \text{ A B C}$



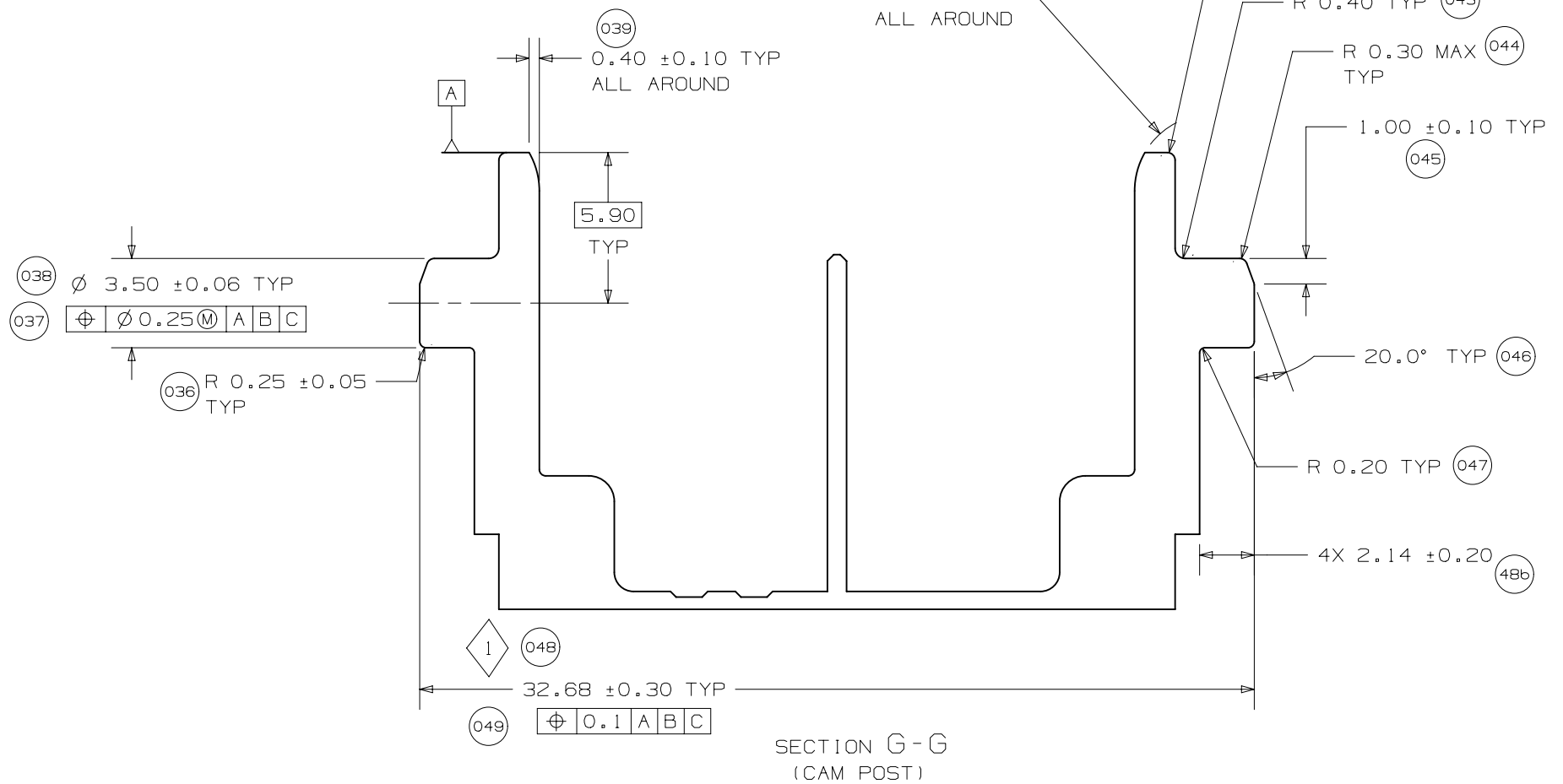
PAGE TITLE  
COMPONENT CONNECTOR INTERFACE

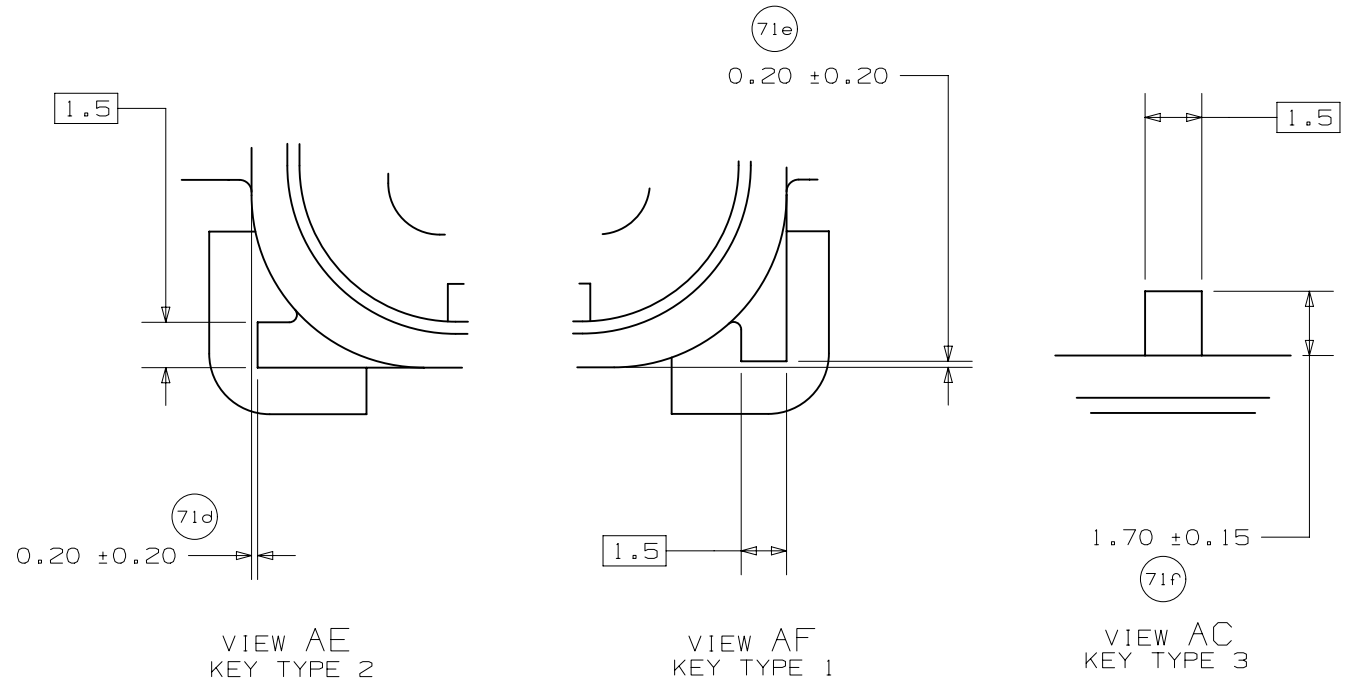
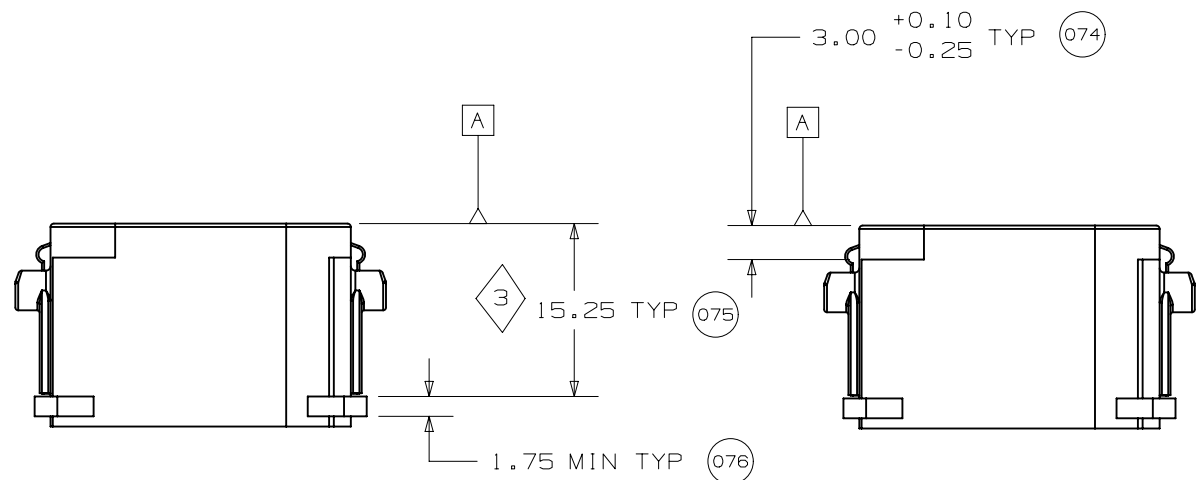
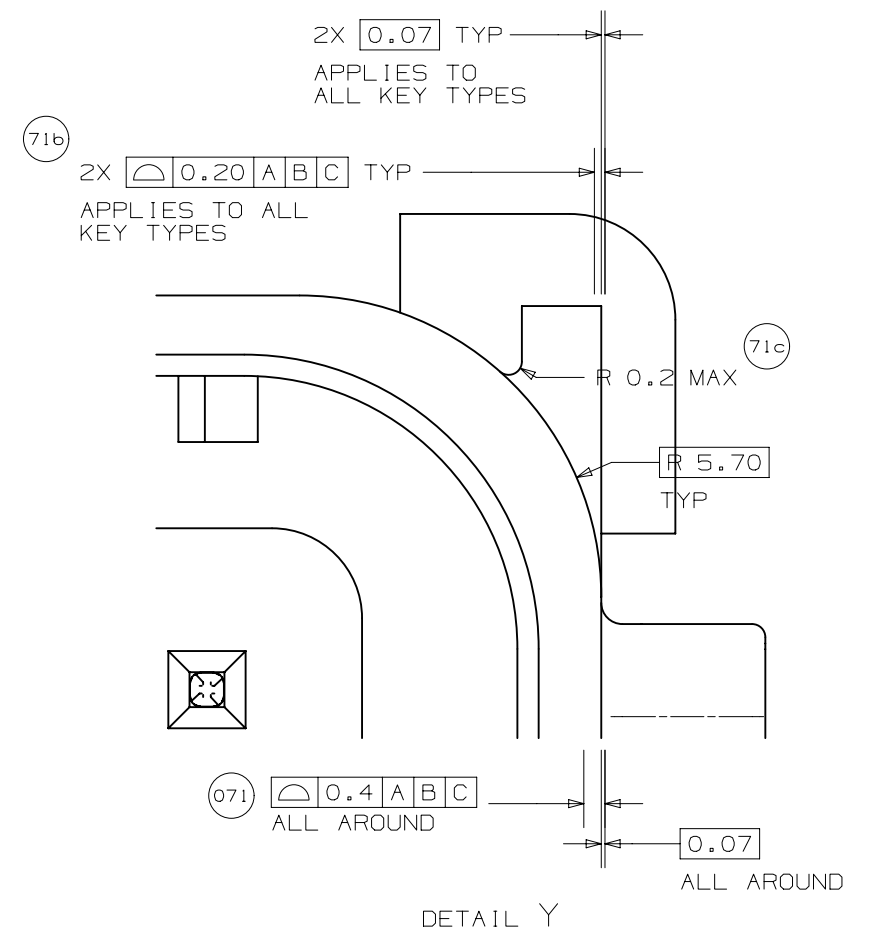
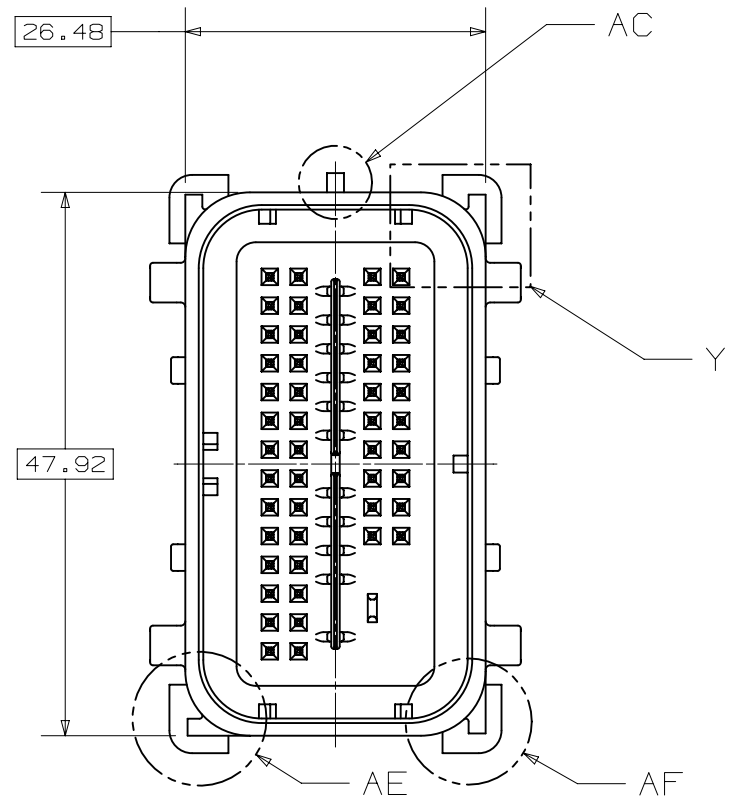
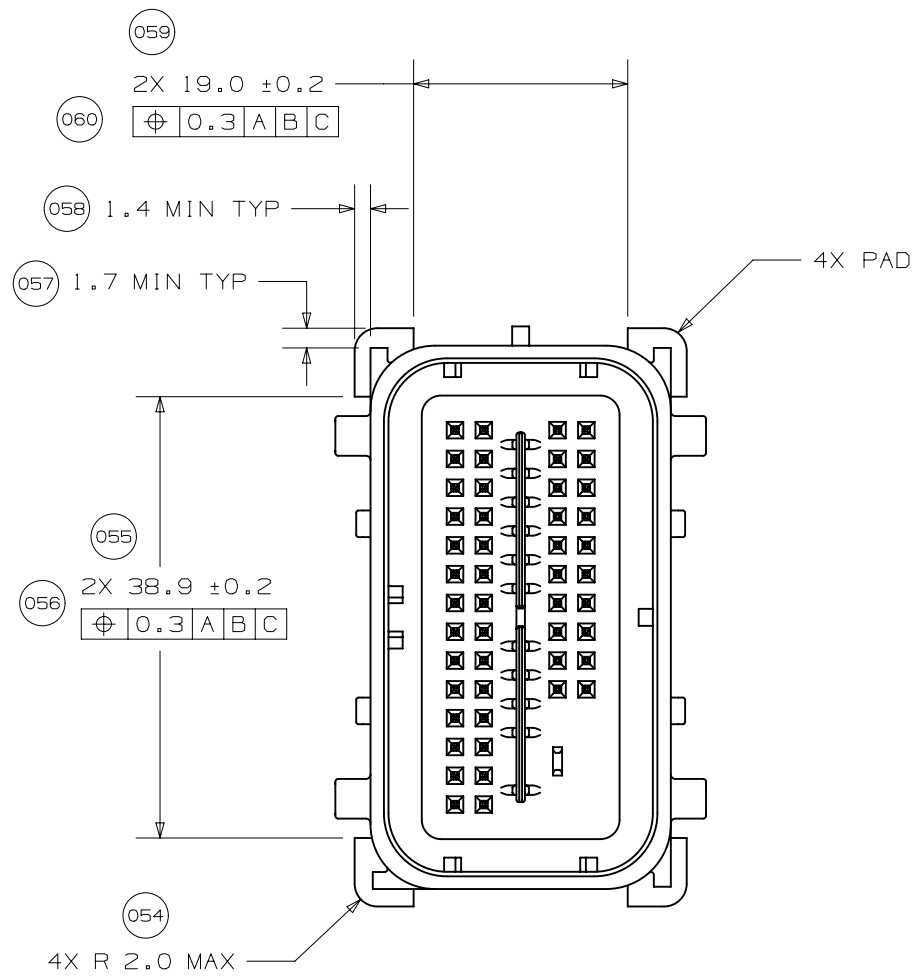
DRAWING NUMBER  
12672832

DWG STATUS			PAGE NUMBER
ST	REV	PD1	
R	001		15 of 23



SECTION F - F  
(RELEASE FEATURE)

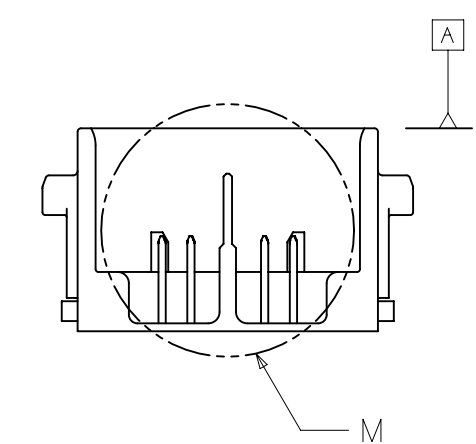
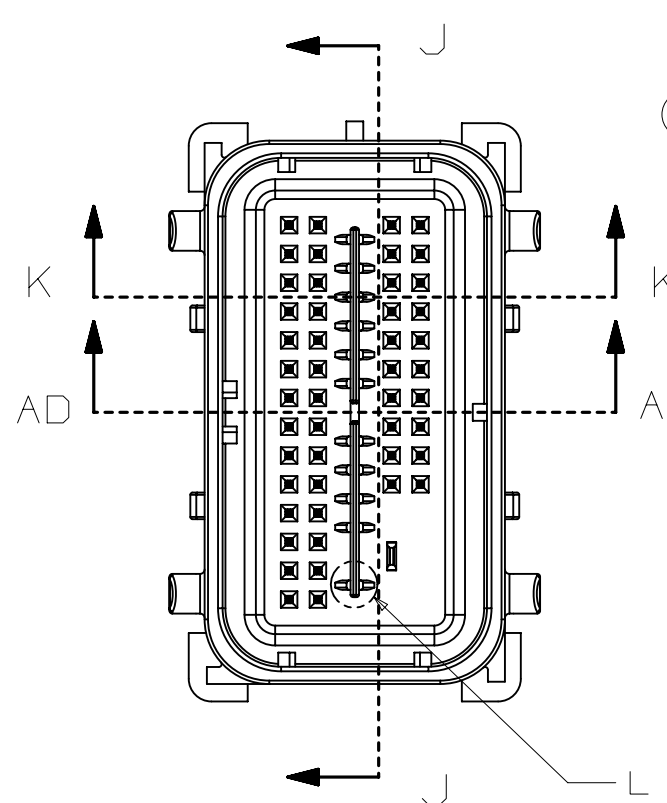




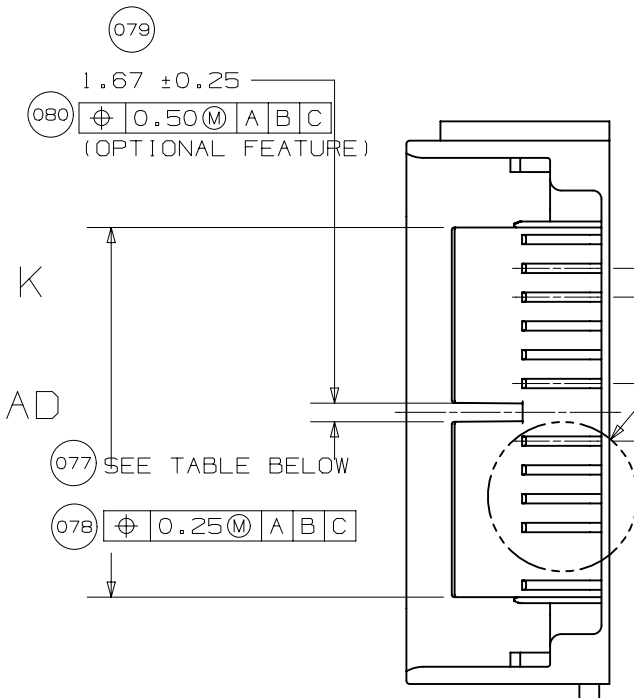
PAGE TITLE  
 COMPONENT CONNECTOR INTERFACE

DRAWING NUMBER  
 12672832

DWG STATUS			PAGE NUMBER
ST	REV	PD1	
R	001		17 of 23

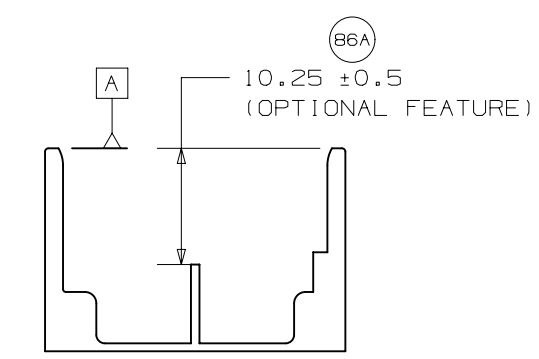


SECTION K-K



SECTION J-J

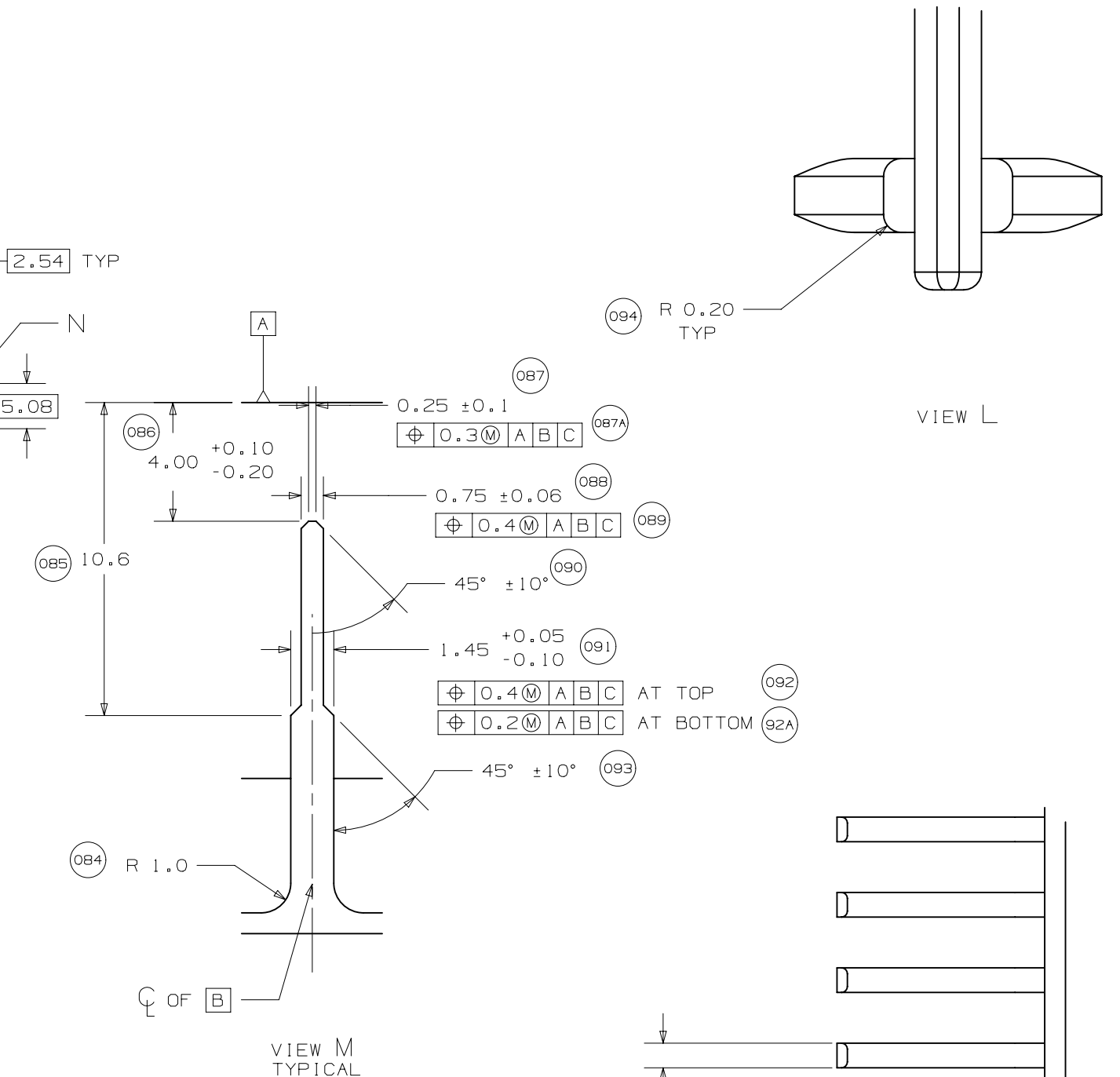
079 1.67 ±0.25  
 080  $\Phi$  0.50 (M) A B C  
 (OPTIONAL FEATURE)  
 077 SEE TABLE BELOW  
 078  $\Phi$  0.25 (M) A B C



SECTION AD-AD

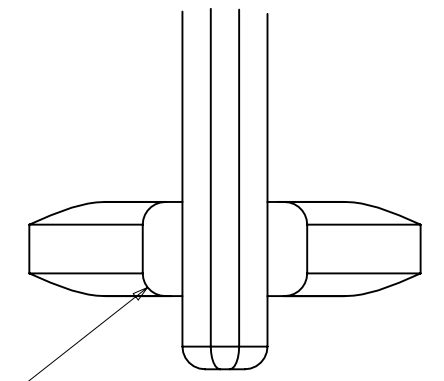
086A 10.25 ±0.5  
 (OPTIONAL FEATURE)

CKT	DIM 077
49 / 56 CKT	32.60 +0.10/-0.60
18 CKT	10.04 +0.10/-0.60



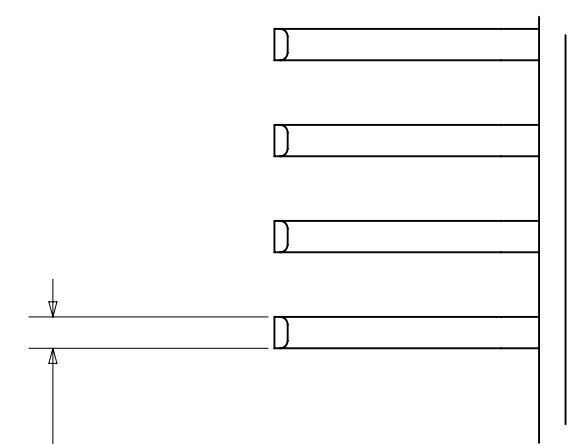
VIEW M TYPICAL

086 4.00 +0.10/-0.20  
 087 0.25 ±0.1  
 $\Phi$  0.3 (M) A B C 087A  
 0.75 ±0.06 088  
 $\Phi$  0.4 (M) A B C 089  
 10.6 085  
 45° ±10° 090  
 1.45 +0.05/-0.10 091  
 $\Phi$  0.4 (M) A B C AT TOP 092  
 $\Phi$  0.2 (M) A B C AT BOTTOM 092A  
 45° ±10° 093  
 084 R 1.0  
 CL OF B



VIEW L

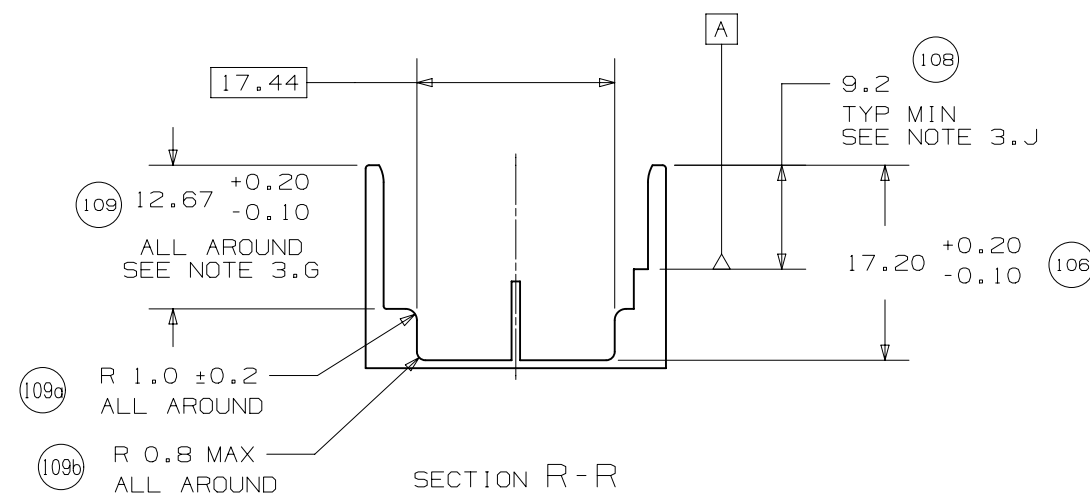
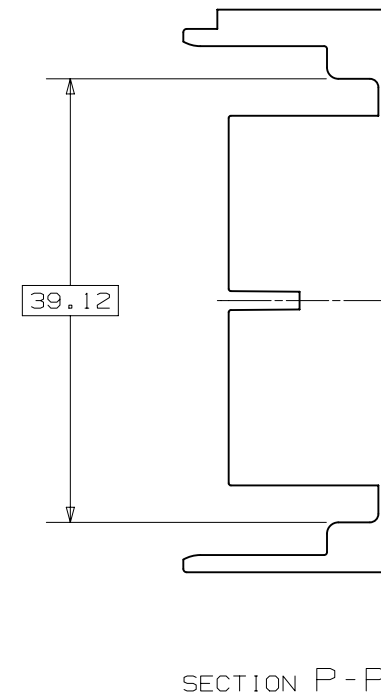
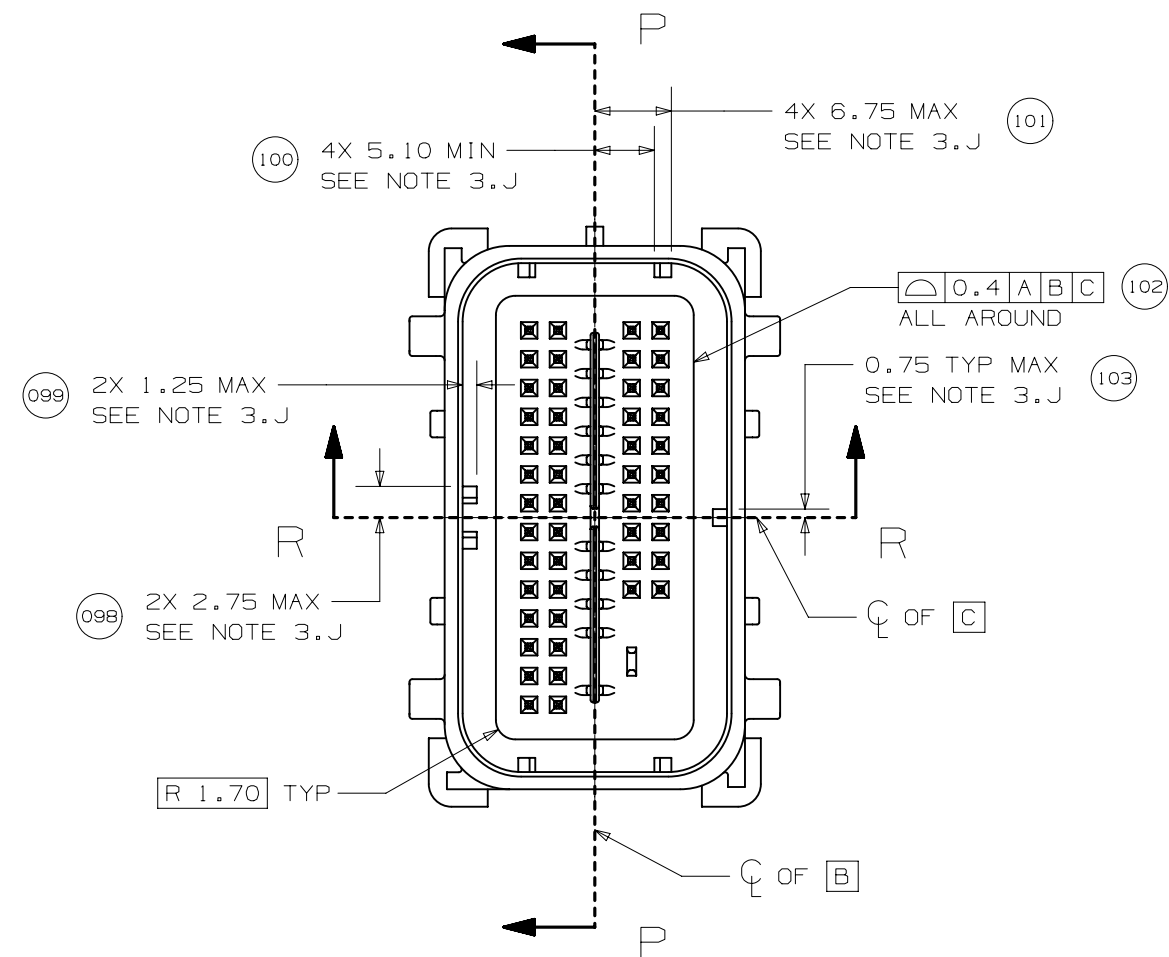
094 R 0.20 TYP

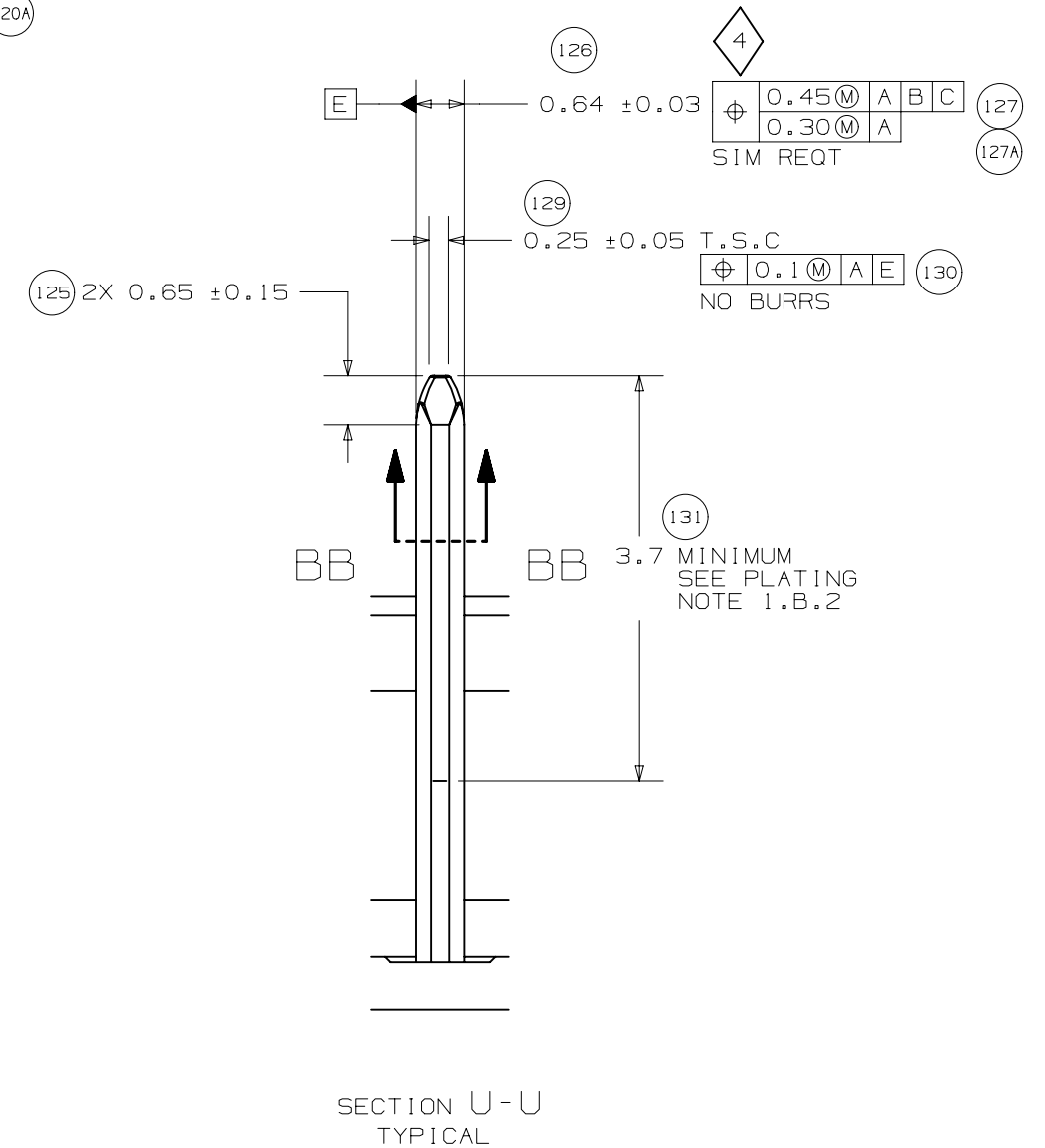
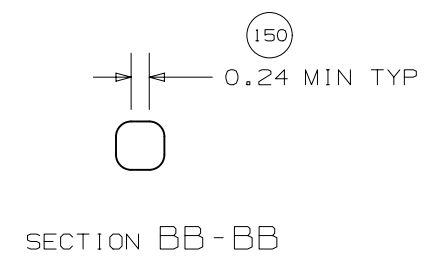
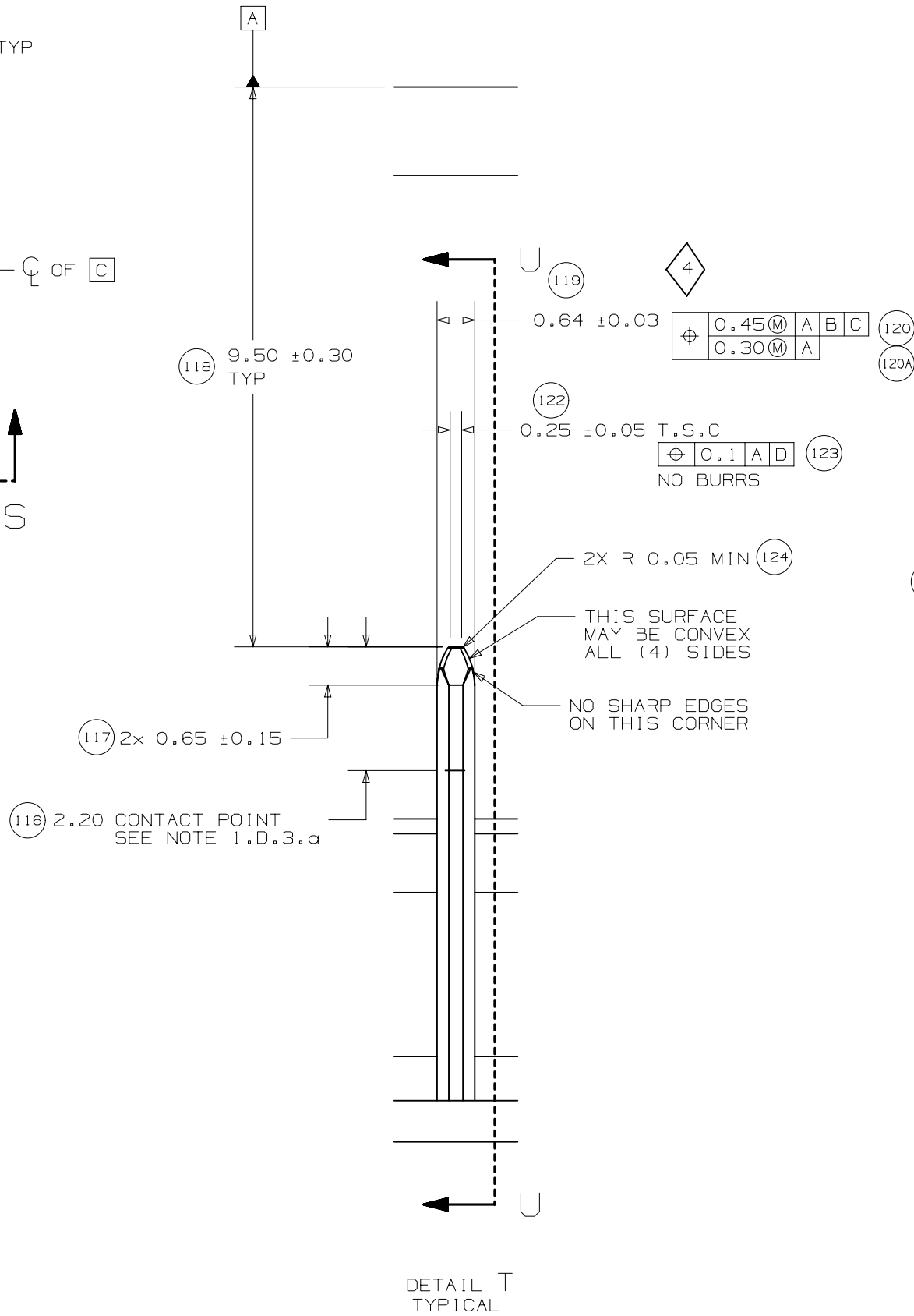
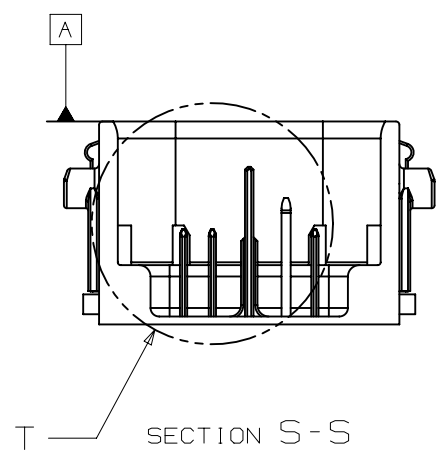
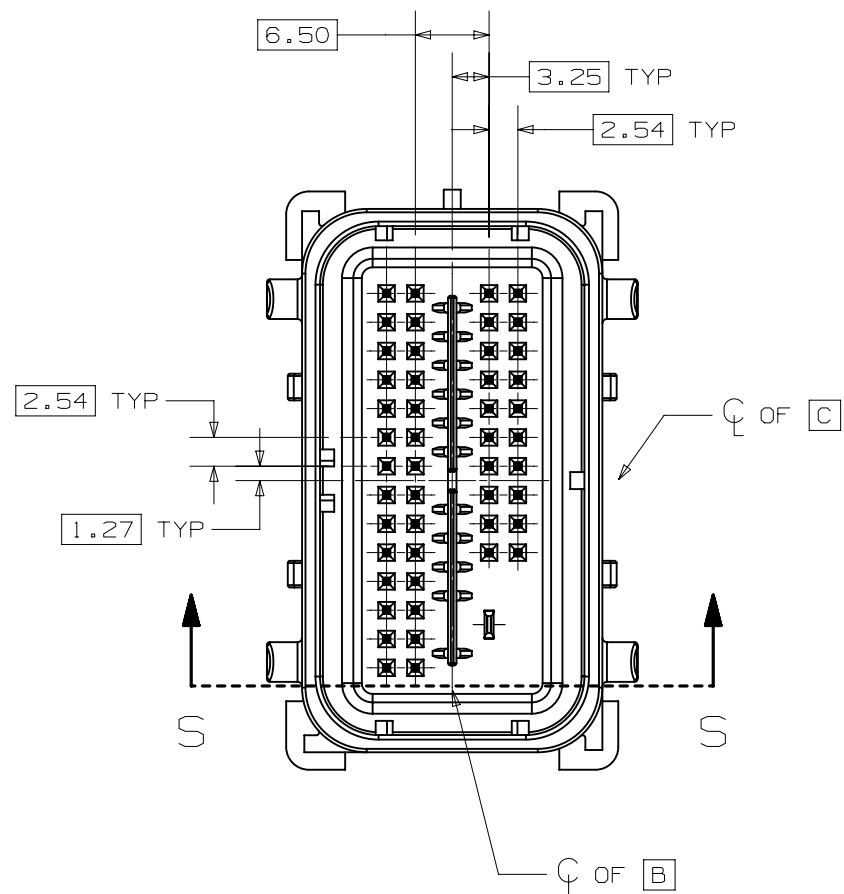


VIEW N

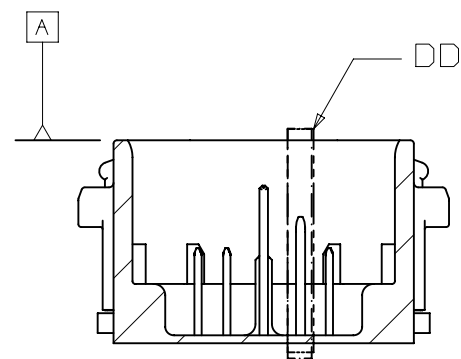
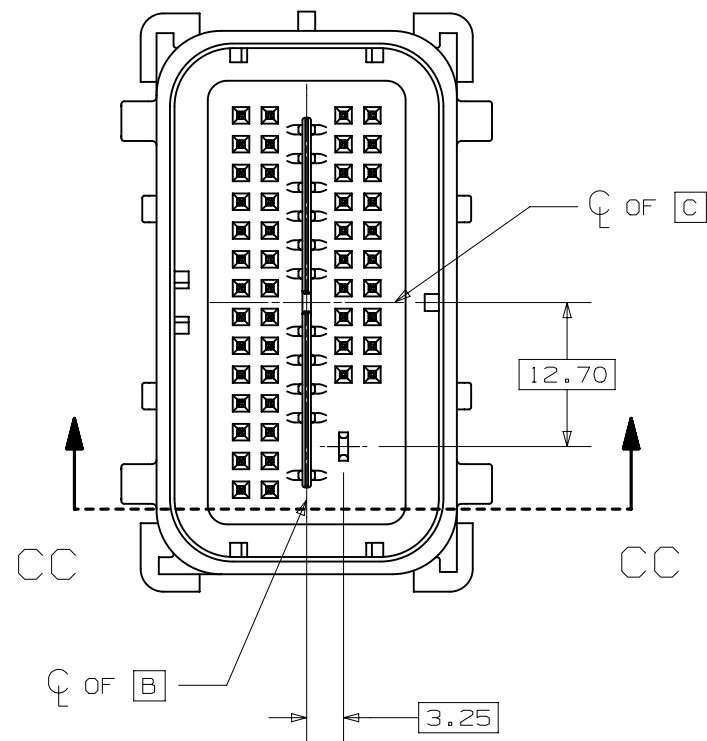
095 0.83 ±0.15 TYP  
 096  $\Phi$  0.5 (M) A B C



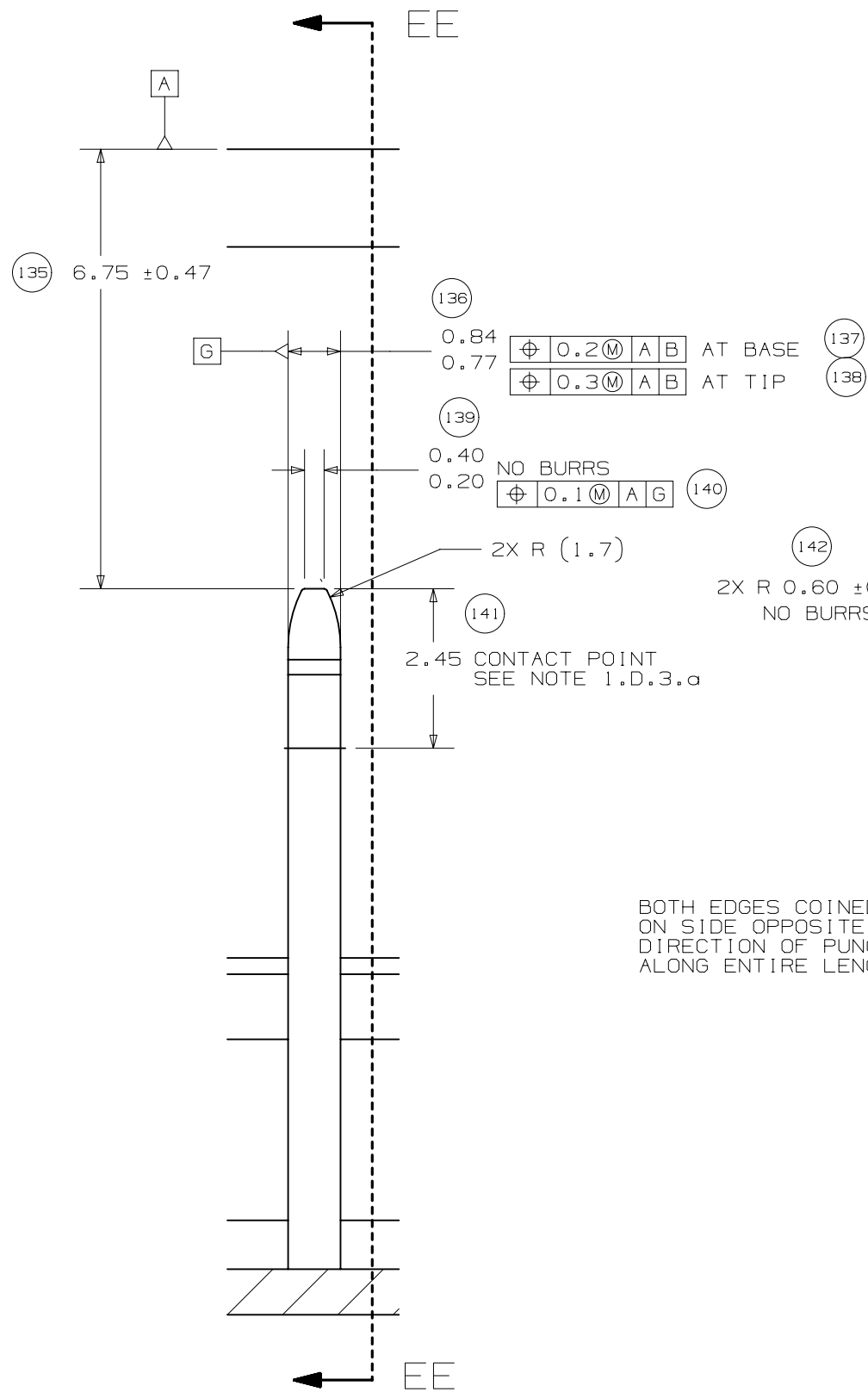




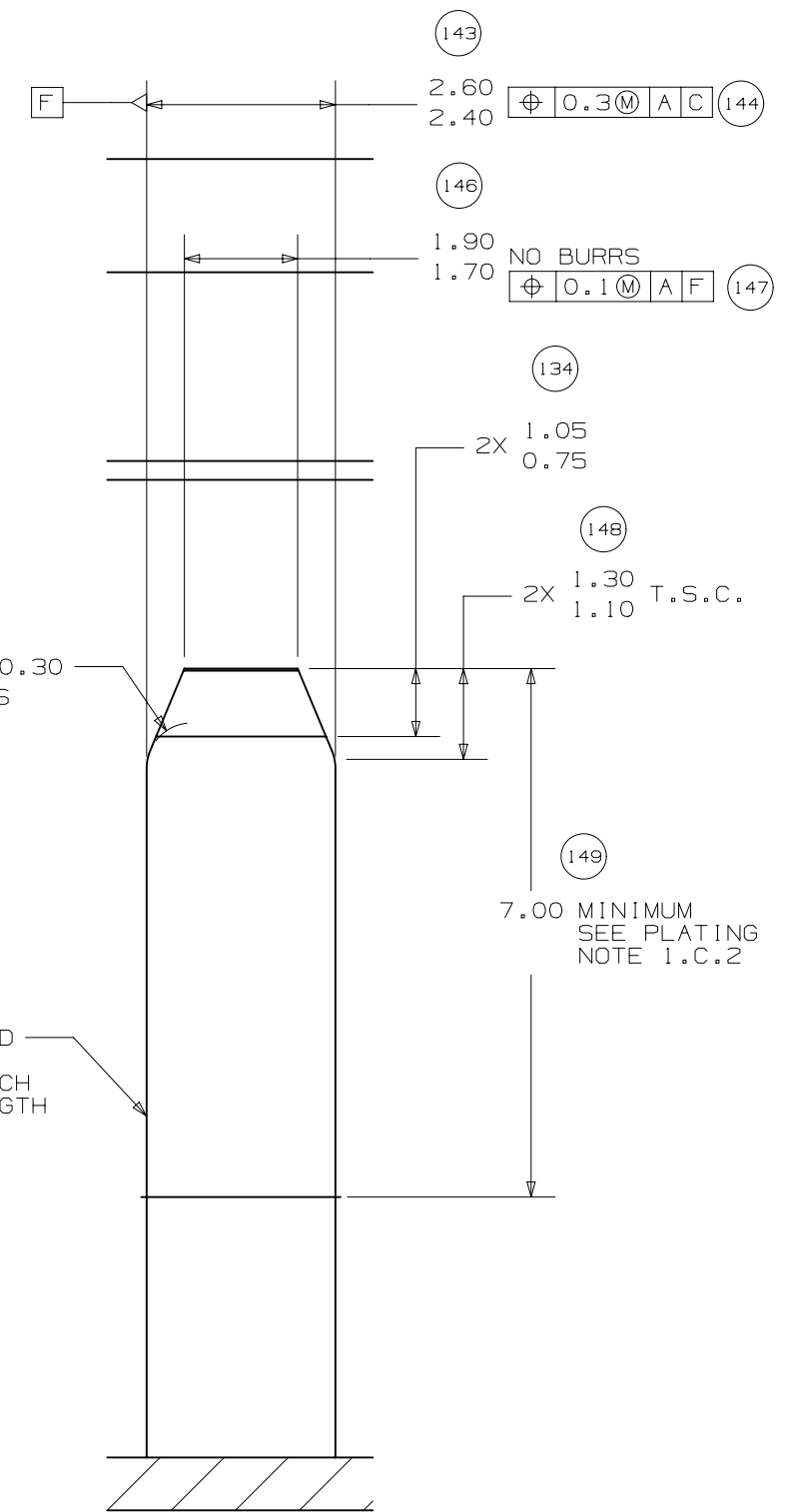




SECTION CC-CC



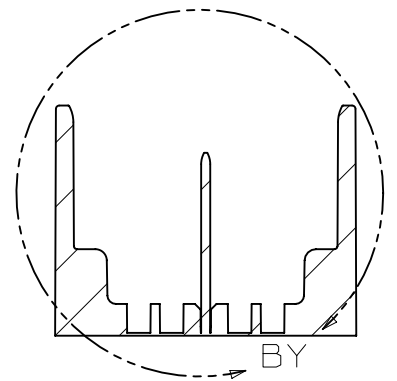
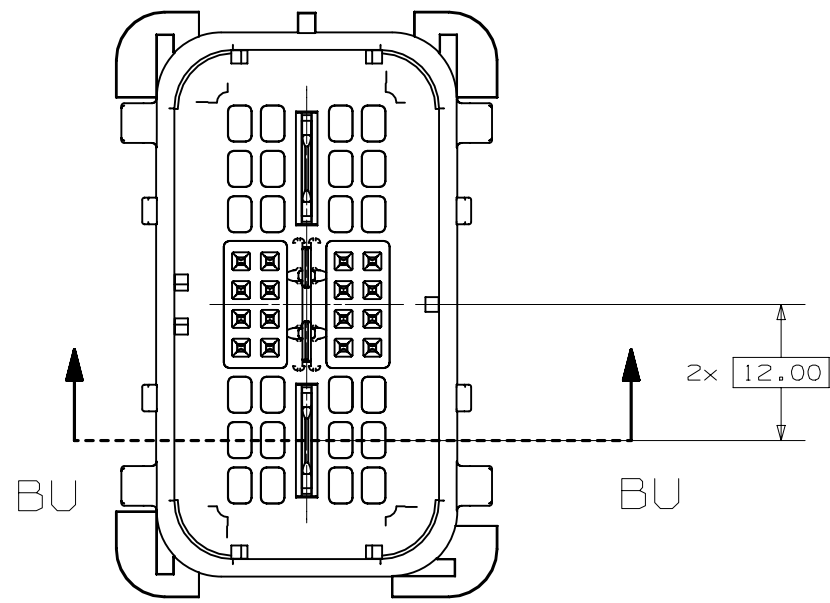
DETAIL DD  
TYPICAL



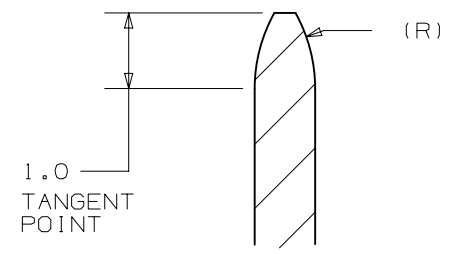
SECTION EE-EE  
TYPICAL

BOTH EDGES COINED  
ON SIDE OPPOSITE  
DIRECTION OF PUNCH  
ALONG ENTIRE LENGTH

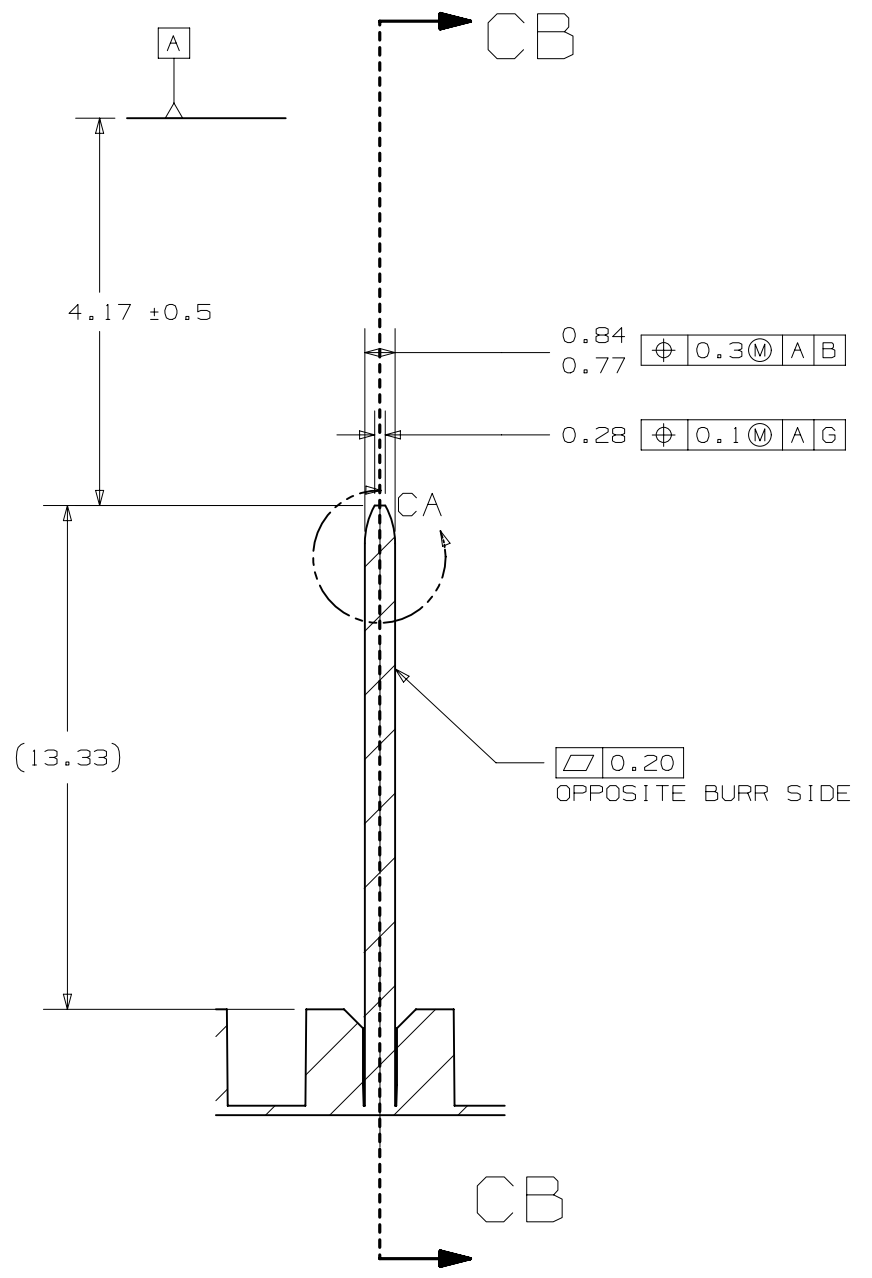




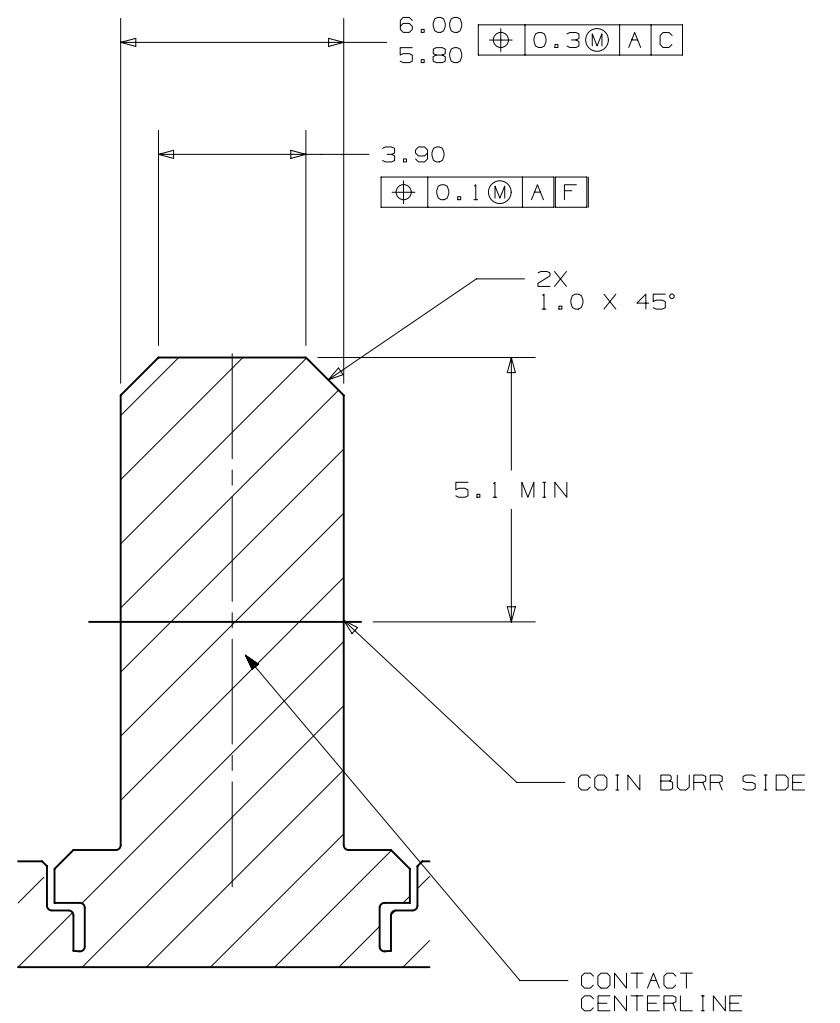
SECTION BU-BU



VIEW CA  
SCALE 10:1



VIEW BY  
SCALE 5:1



SECTION CB-CB



PAGE TITLE  
COMPONENT CONNECTOR INTERFACE

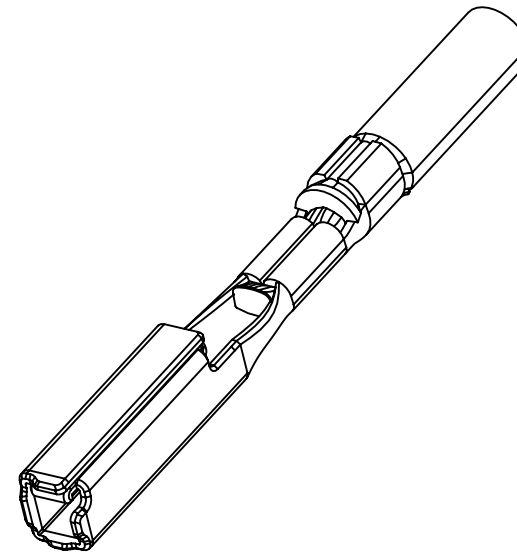
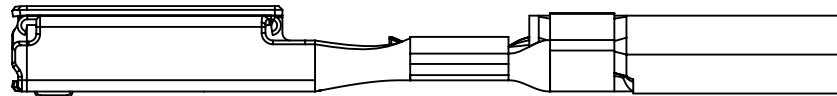
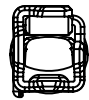
DRAWING NUMBER  
12672832

DWG STATUS		
ST	REV	PD1
R	001	

PAGE NUMBER  
22 OF 23

MOLEX MX64 RECEPTACLE TERMINAL INFORMATION

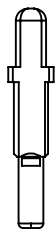
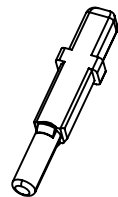
ITEM	MOLEX P/N	GM P/N	WIRE SIZE MM2	TYPE	PLATING	REEL WIND DIRECTION	COMMENTS
1	34736-0025		0.35	ISO	SILVER	LEFT	
2	34736-0026	12672850	0.35	ISO	SILVER	RIGHT	
3	34736-0027		0.5 / 0.75	ISO	SILVER	LEFT	
4	34736-0028	12672851	0.5 / 0.75	ISO	SILVER	RIGHT	



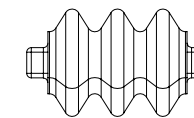
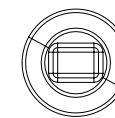
CAVITY PLUGS

ITEM	MFG	MFG P/N	GM P/N RD	SIZE	COLOR	MFG DRAWING	PROD SPEC	APP SPEC	COMMENTS
1	MOLEX	34586-0001	12674820	0.64	NATURAL	SD-34586-001	PS-34566-0000	AS-34566-001	
2	YAZAKI	7158-3114-90	12674821	2.8	BLUE	7158-3114-90	YPES-11-04-062	YPES-15-299	

ITEM 1



ITEM 2

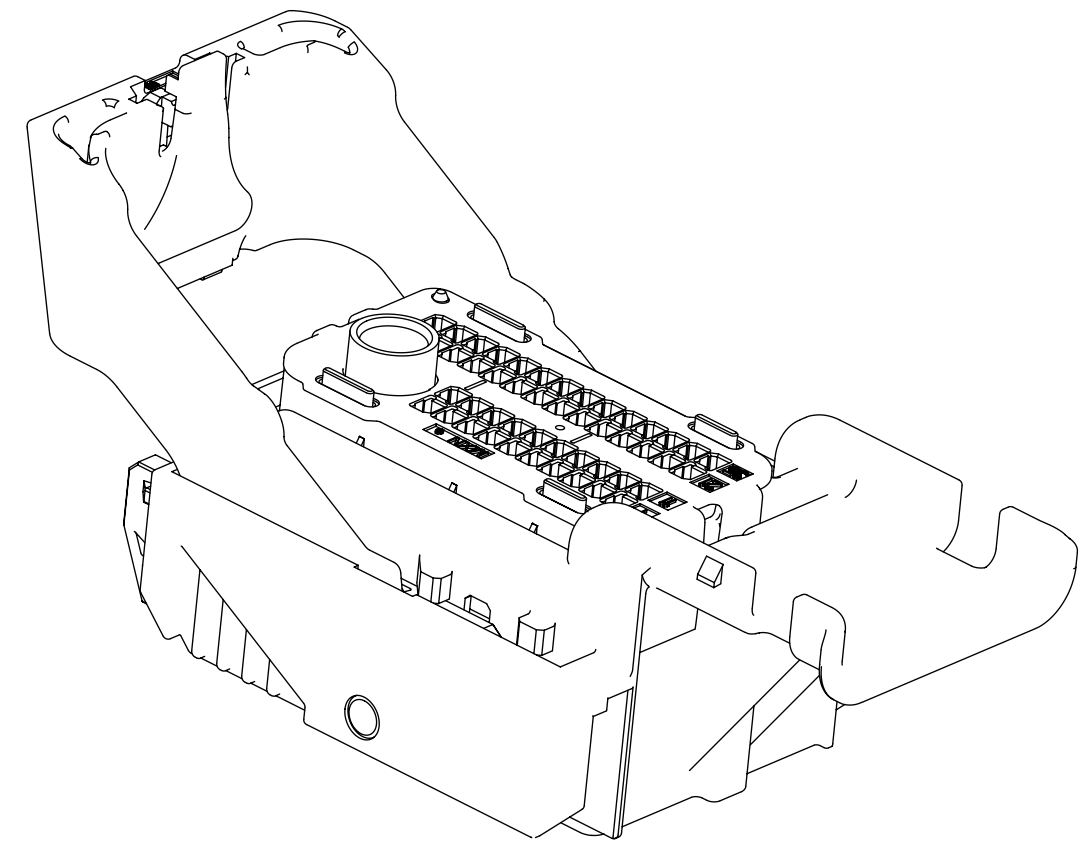


PAGE TITLE  
ADDITIONAL COMPONENTS REQUIRED

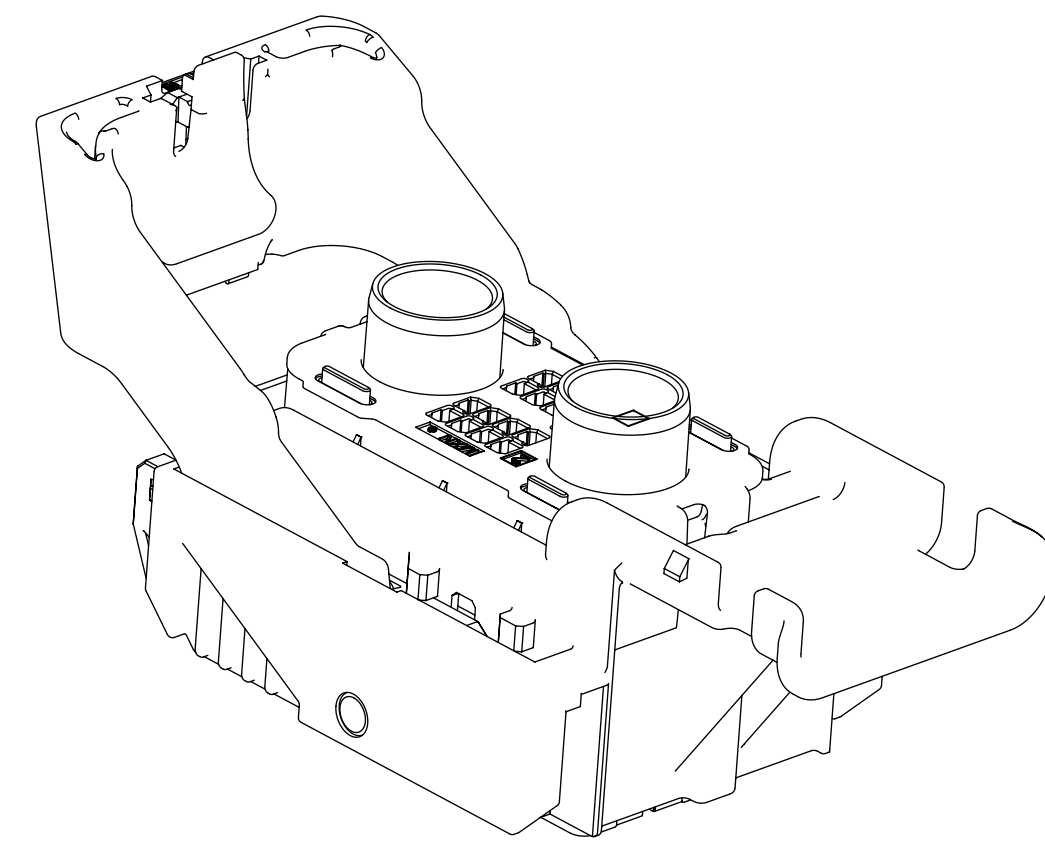
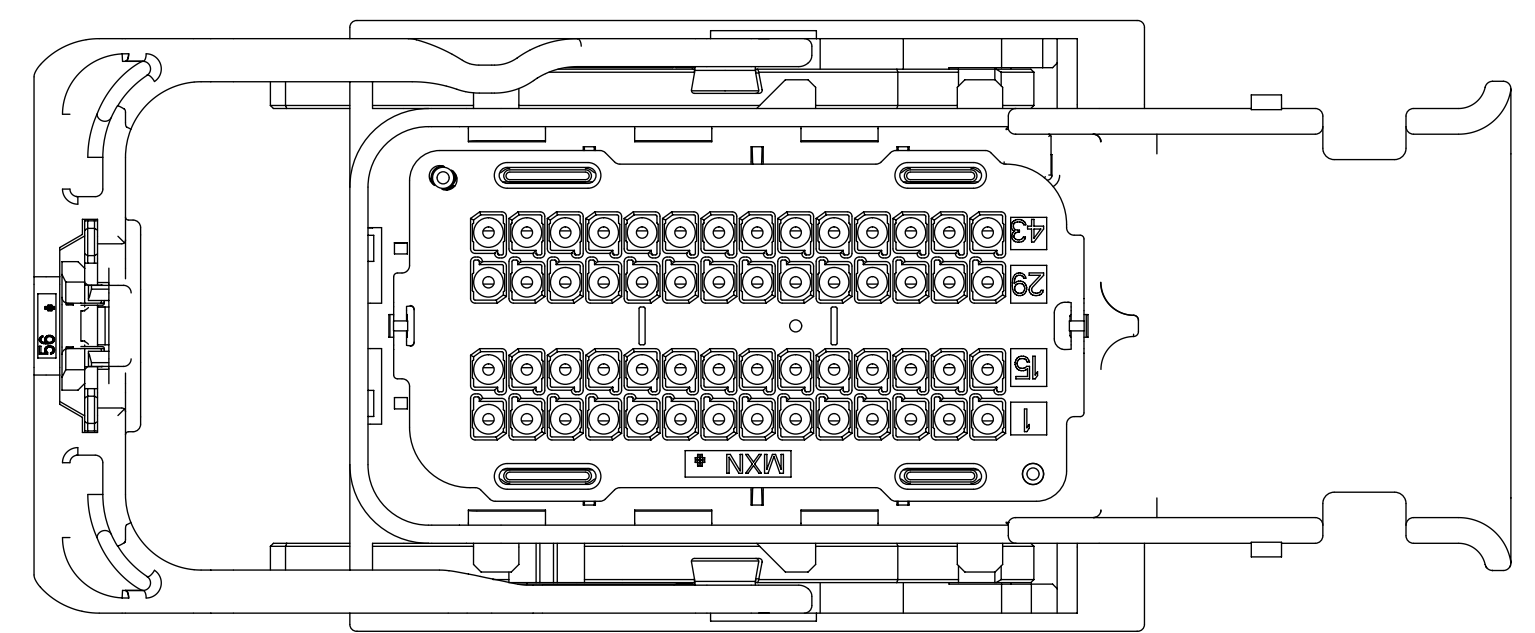
DRAWING NUMBER  
12672832

DWG STATUS		
ST	REV	PD1
R	001	

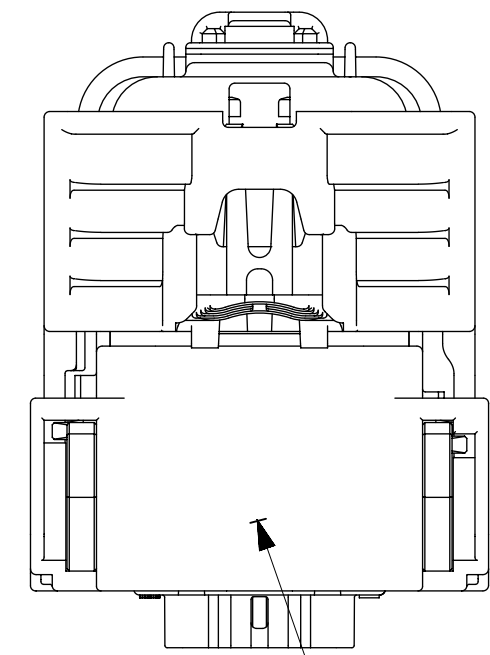
PAGE NUMBER  
23 of 23



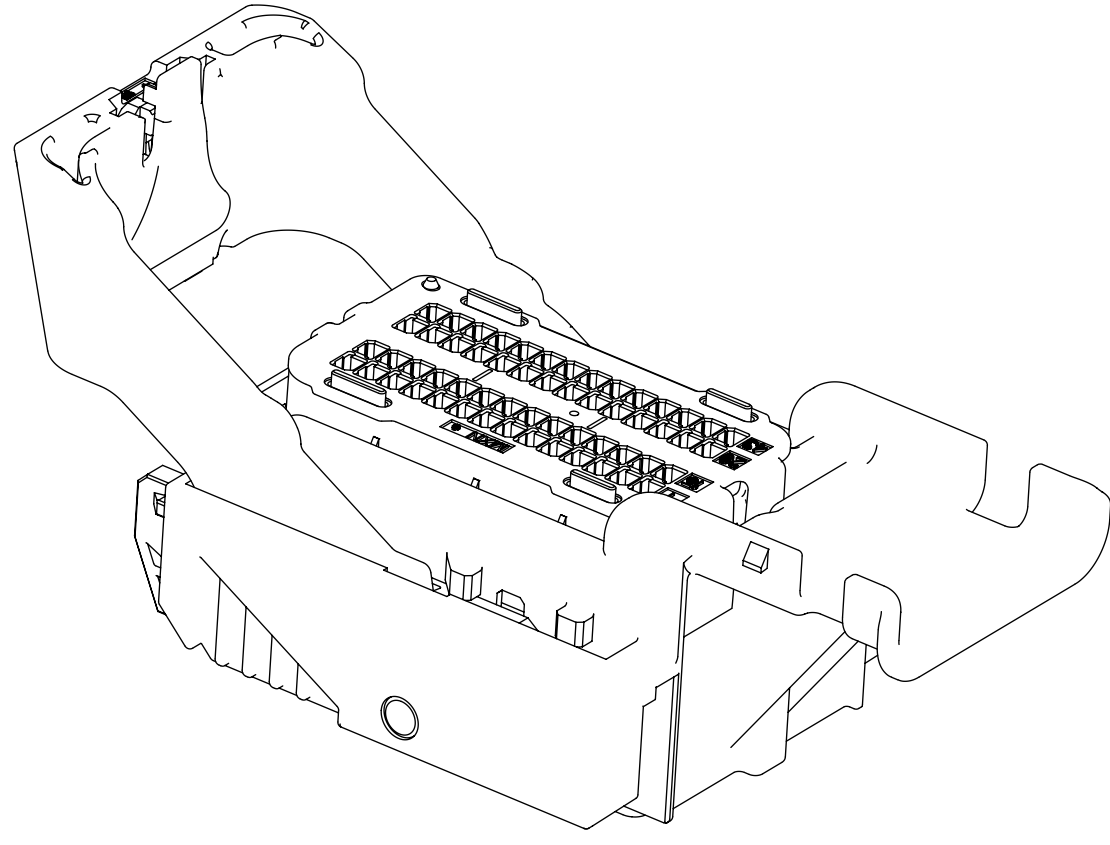
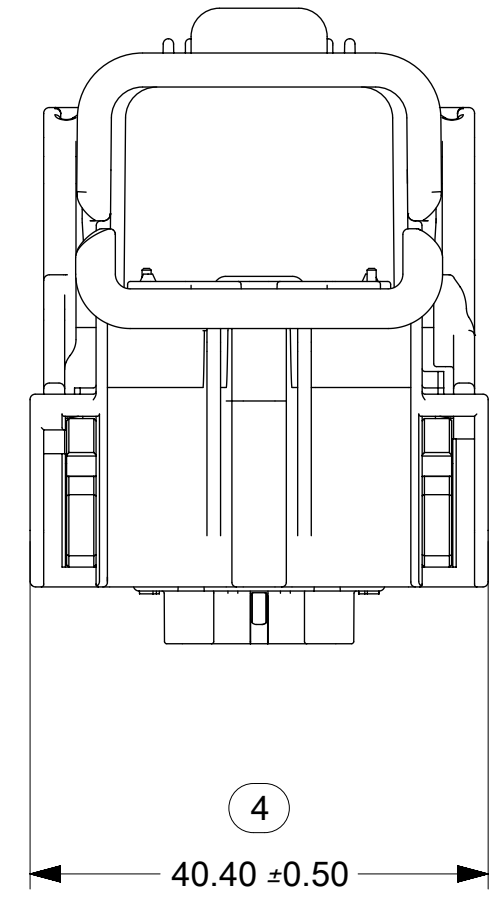
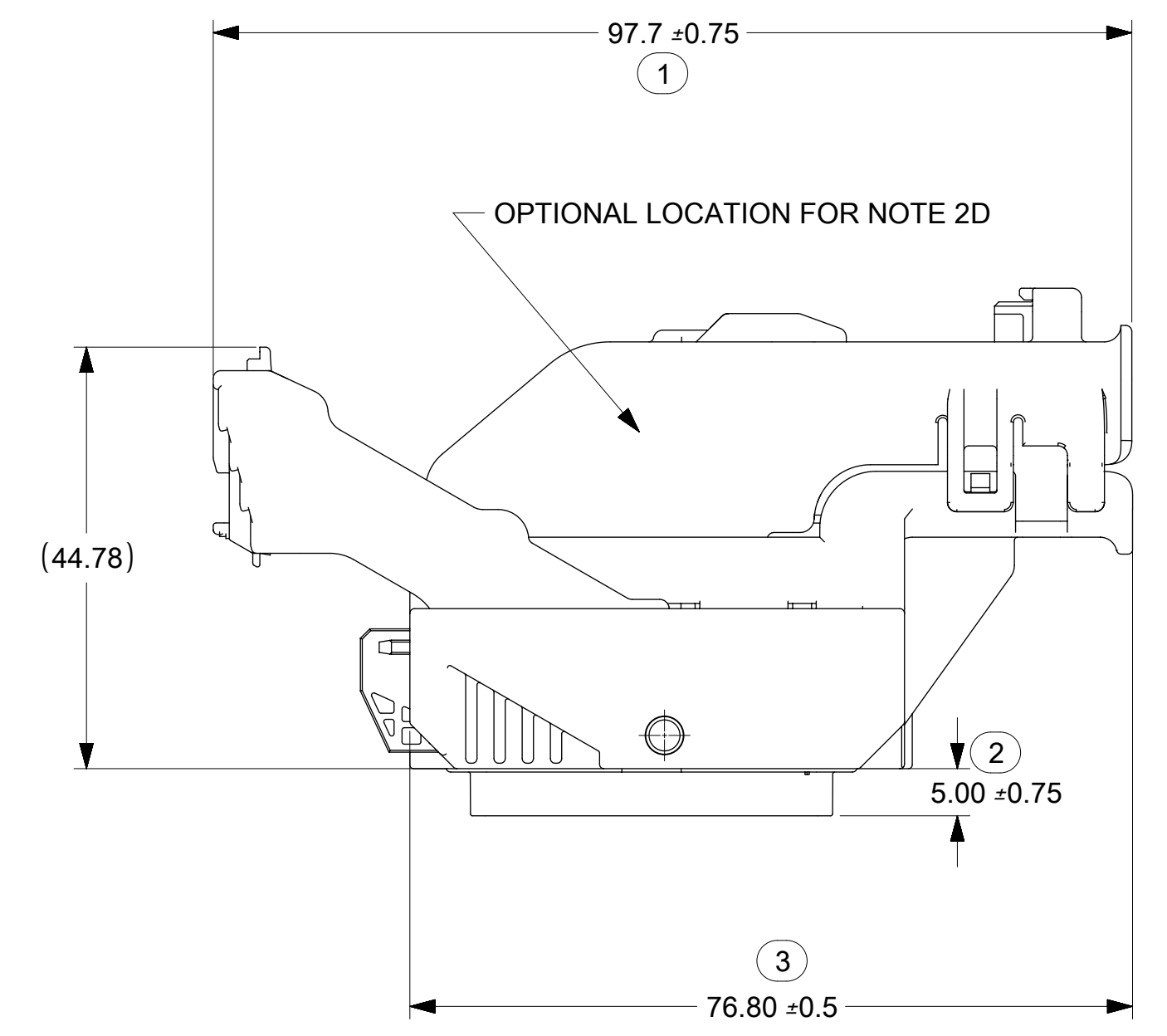
49 CKT  
SCALE 1.5:1



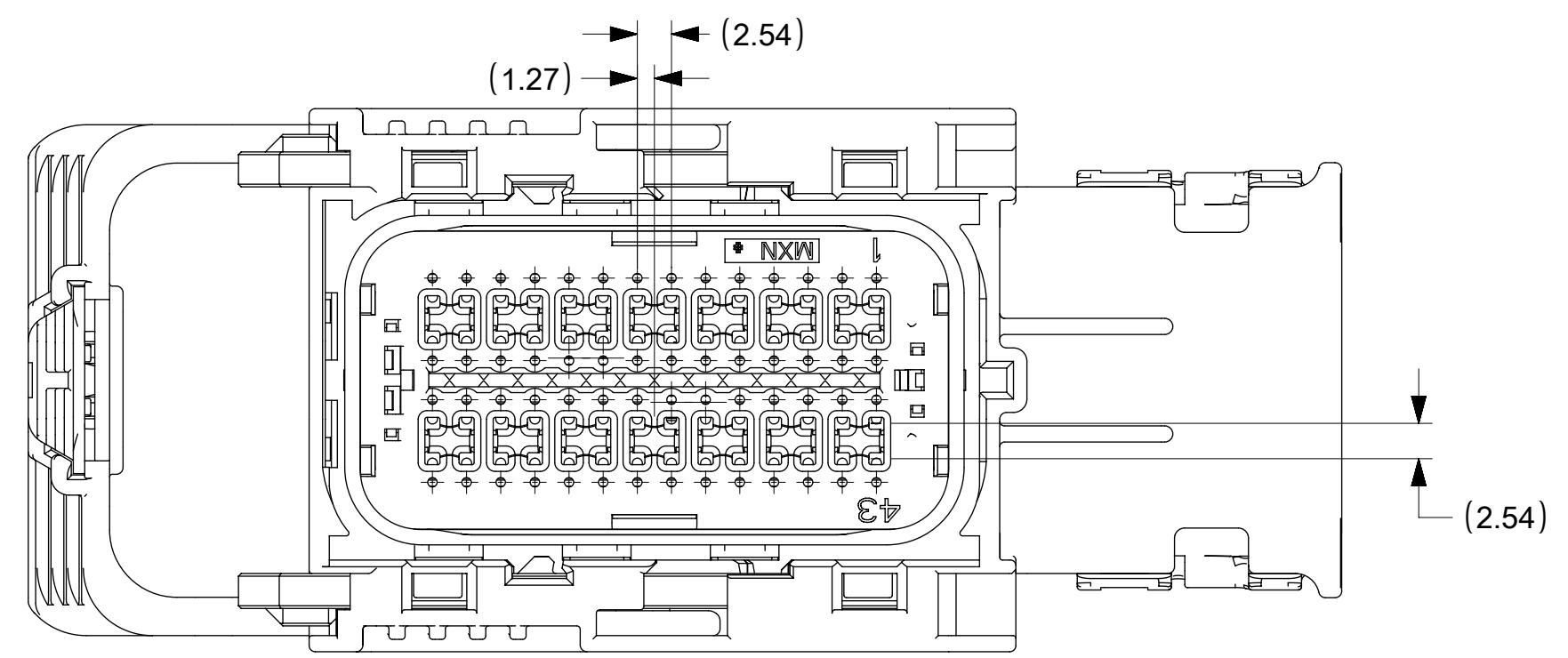
18 CKT  
SCALE 1.5:1



RECOMMENDED LOCATION  
FOR NOTE 2D



56 CKT  
SCALE 1.5:1



NOTES: UNLESS OTHERWISE SPECIFIED

1. MATERIAL:

- A. RESIN: SEE COMPONENT DRAWINGS
- B. COLOR: SEE TABLE
- C. MOLEX EDP #: SEE TABLE
- D. PART VOLUME: SEE COMPONENT DRAWINGS

2. DESIGN - GENERAL:

- A. THIS IS A 100% CAD GENERATED PART. THE CAD MATHEMATICAL DATA IS THE MASTER FOR THIS PART. FOR DIMENSIONAL OR ANY INFORMATION NOT SHOWN ON THIS DRAWING, ANALYZE THE CAD MODEL.
- B. TOLERANCES:
  - a. LINEAR X.X ± 0.30
  - X.XX ± 0.10
  - X.XXX ± 0.10
  - b. ANGULAR X° ± 3.0°
- C. CORNERS SHOWN AS SHARP TO BE R 0.2 MAX.
- D. FOLLOWING PRODUCTION CODES TO BE PERMANENTLY MARKED & HUMAN READABLE TO A LETTER HEIGHT 3mm.
  - LINE #1: MATERIAL #: XXXX-XXXX
  - LINE #2: DATE CODE: JJYY (JULIAN DAY, LAST DIGIT OF YEAR)
  - LINE #3: INSPECTION MACHINE CODE + SERIAL #: X\_XXXX
- E-1. PARTS MUST BE FREE OF DISCOLORATION, SALT RESIDUE AND OTHER IMPERFECTIONS THAT AFFECT FIT OR FUNCTION.
- E-2. SCRATCHES OR DENTS NOT TO EXCEED 0.13mm IN DEPTH.
- F. CHANGES IN DESIGN FROM PART PREVIOUSLY APPROVED REQUIRES PRIOR ENGINEERING APPROVAL. THIS INCLUDES BUT IS NOT LIMITED TO DRAFT, MATERIAL OR PROCESSING.
- G. SHALL CONFORM TO THE FOLLOWING PACKAGING SPECIFICATION: PK-31300-019

3. DESIGN - MANUFACTURING:

- A. DRAFT TO BE WITHIN TOLERANCE.
- B. ALLOWABLE FLASH 0.2 MAX HIGH X 0.13 MAX THICK.
- C. ALLOWABLE PARTING LINE MISMATCH 0.2 MAX.
- D. EJECTOR PINS MARK TO BE FLUSH TO 0.25 MAX DEPRESSED.
- E. ALLOWABLE GATE VESTIGE TO BE FLUSH TO 0.25 MAX PROTRUSION.

4. SYSTEM REQUIREMENTS:

- WHEN TESTED TO SAE/USCAR-2 REV: 3, APRIL 2001, AND GMW #3191, AUGUST 22, 2000 (DRAFT).
- A. TPA (WITHOUT TERMINALS)
    - a. INSERTION FORCE FROM PRE-SET TO LOCK: >20
    - b. REMOVAL FORCE FROM PRE-SET: >20
  - B. CPA
    - a. INSERTION FORCE FROM PRE-SET TO LOCK WITH CONNECTOR UN-MATED: >60N
    - b. REMOVAL FORCE FROM PRE-SET: >30N
  - C. GROMMET CAP
    - a. REMOVAL FORCE FROM HOUSING WITH ENGAGED LATCHES: >110N
  - D. MATE ASSIST LEVER
    - a. INADVERTENT ACTUATION FORCE DURING SHIPPING, HANDLING OR PRE-ASSEMBLY: >190N

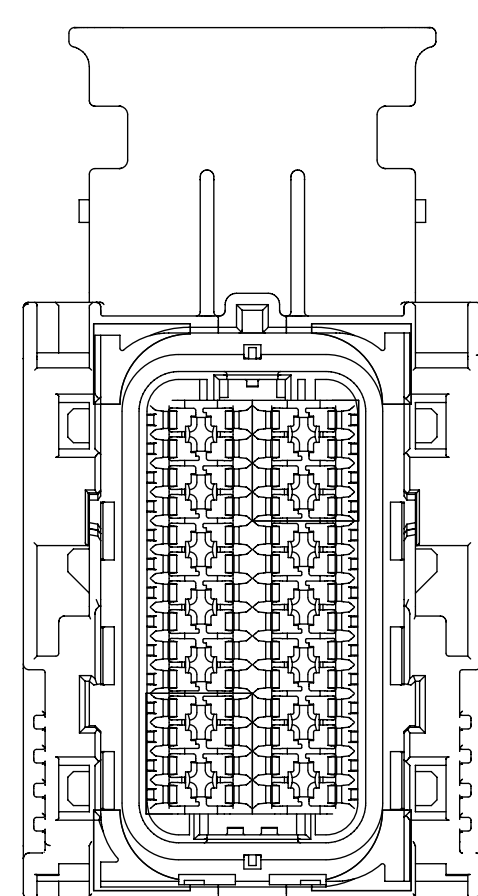
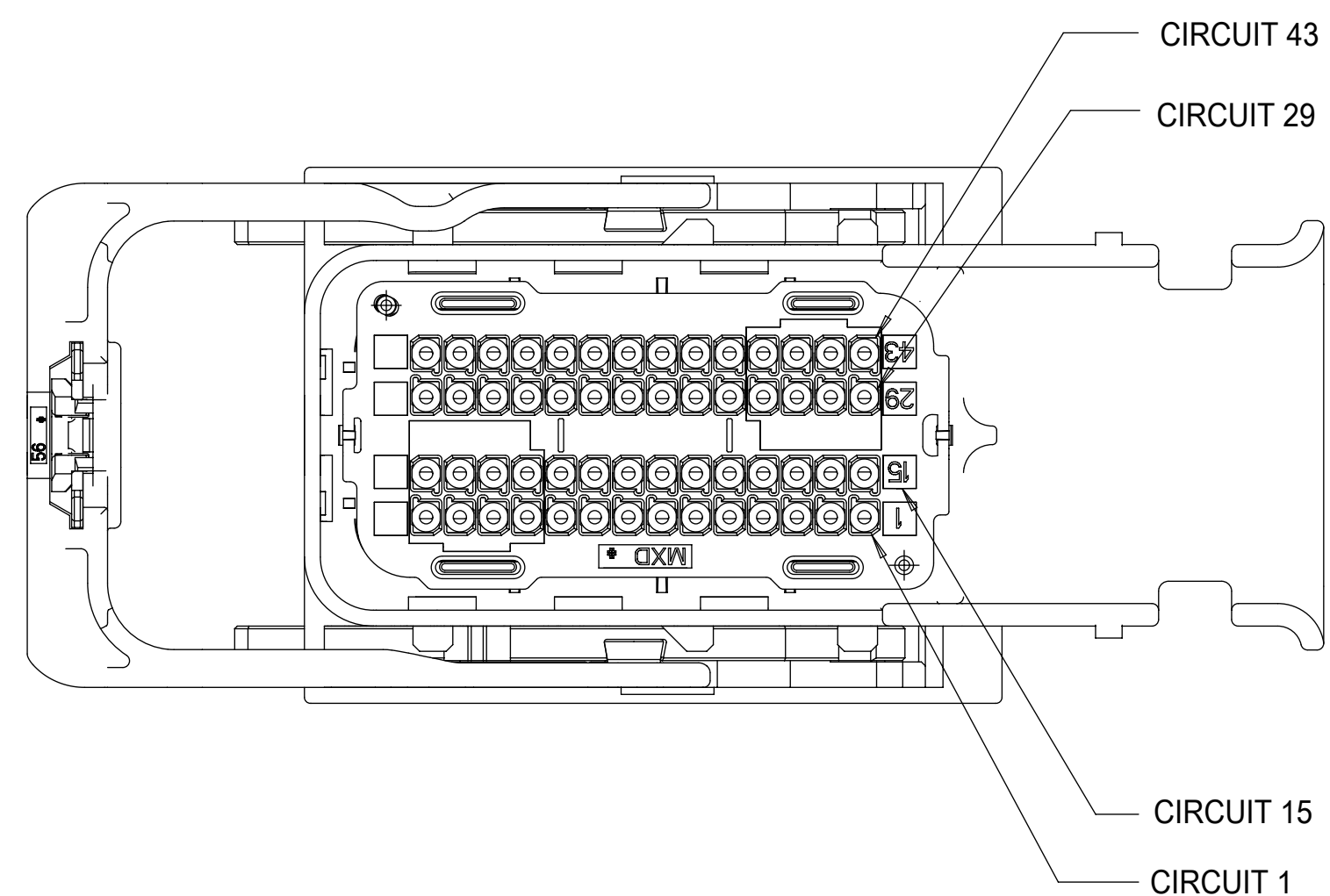
F74	ADDED NEW PART NO. 34576-7603
F73	ADDED NEW PART NO. 34576-7553 34576-7563 34576-7573 34576-7583 34576-7593
F72	SHEETS SEQUENCE ARE CORRECTED
F71	NX RE-MASTERING
F70	ADDED NEW PART NO. 34576-7523 34576-7533 34576-7543
F69	ADDED GM PART # TO SHEET 5
F68	ADDED NEW PART NO. 34576-7513
F67	ADDED NEW PART NO. 34576-7483 34576-7493 34576-7503
F66	ADDED NEW PART NO. 34576-7473
F65	ADDED NEW PART NO. 34576-7463
F64	ADDED NEW PART NO. 34576-7453
F63	ADDED NEW PART NO. 34576-7413 34576-7423 34576-7433 34576-7443
F62	ADDED NEW P/N NO. 34576-7393 34576-7403 CHANGE THE FOLLOWING P/N TO "SALEABLE" STATUS 1.34576-0103,34576-0303,34576-1303 AND 34576-1503 2.34576-0803 3.34851-0007,34851-0008,34851-0019 AND 34851-0020
F61	ADDED NEW PART NO. 34576-7383
F60	ADDED NEW PART NO. 34576-9113 34576-9123
REV	DESCRIPTION

INSPECTION BALLON NUMBER LOG  
PER DRAWING REVISION: F71  
  
LAST BALLON NUMBER USED: 4  
  
ADDED BALLON NUMBERS:  
  
REMOVED BALLON NUMBERS:

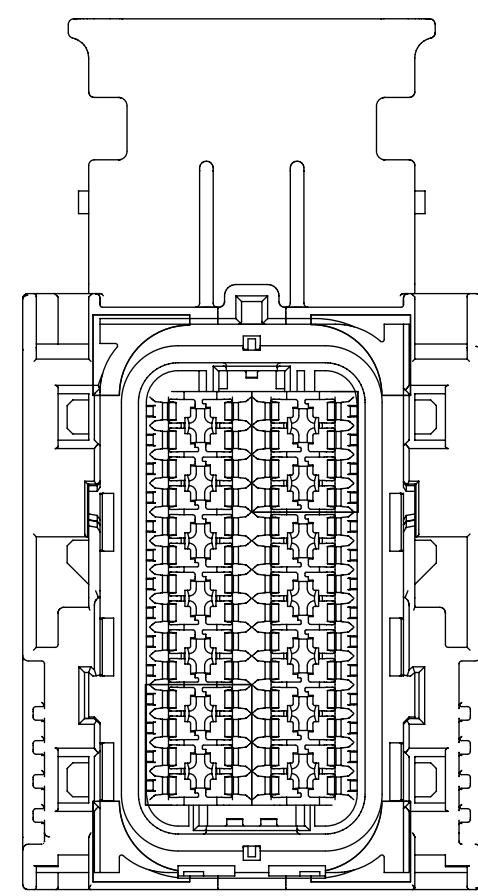
QUALITY SYMBOLS F = 0 E = 0 E = 0 C = 0 C = 0 X = 0 X = 0 V = 0	THIS DRAWING CONTAINS INFORMATION THAT IS PROPRIETARY TO MOLEX ELECTRONIC TECHNOLOGIES, LLC AND SHOULD NOT BE USED WITHOUT WRITTEN PERMISSION		GENERAL TOLERANCES (UNLESS SPECIFIED) DIMENSION UNITS: MM SCALE: 2:1		
	DRWN BY: SKRAJENDRANA DATE: 2011/01/25 CHKD BY: DATE: APPR BY: SKRAJENDRANA DATE: 2016/10/24	EC NO: 115012 DRWN: TYE CHKD: JDENG02 REV: APPR:	2017/03/27 2017/03/30	ANGULAR TOL ± ° 4 PLACES ± 3 PLACES ± 2 PLACES ± 1 PLACE ± 0 PLACES ± DRAFT WHERE APPLICABLE MUST REMAIN WITHIN DIMENSIONS	
RELEASE STATUS: F74 RELEASE DATE:		DOCUMENT NUMBER: SD-34576-001 DOC TYPE: PSD DOC PART: 000 SHEET NUMBER: 1 OF 20			

56 CKT  
WIRE DRESS OPTION 0

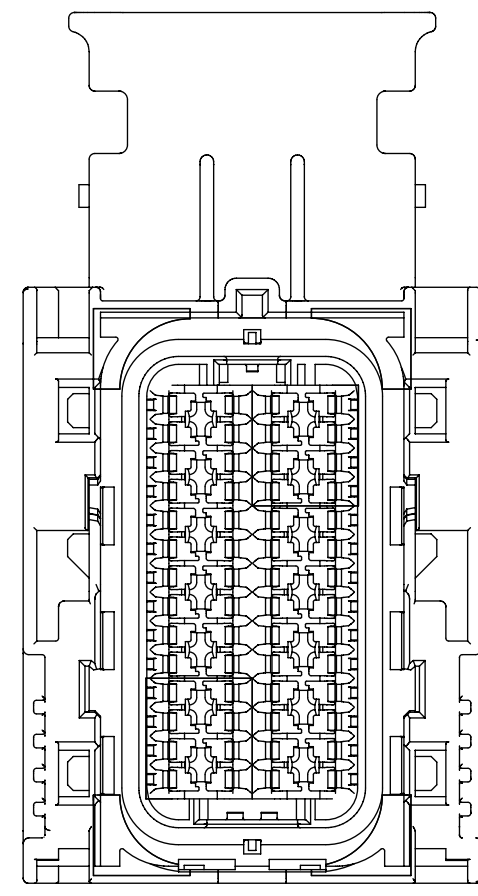
HOUSING ONLY, SHOWN FOR CLARITY



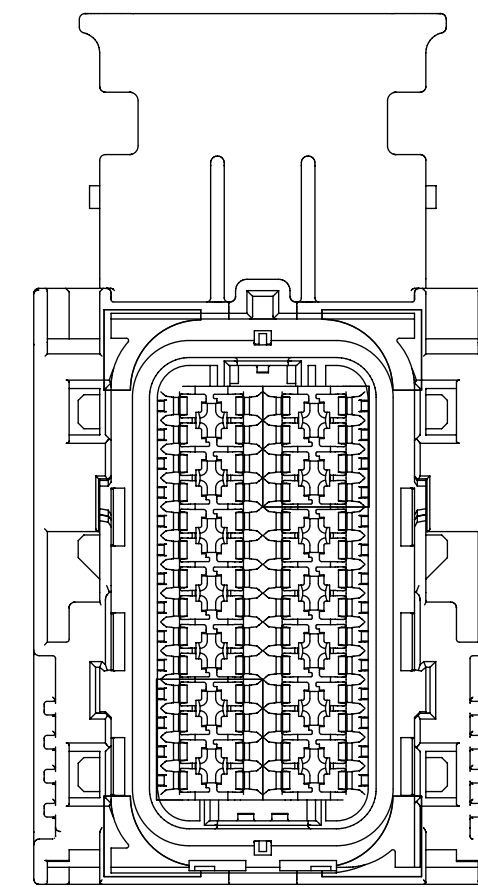
KEY G



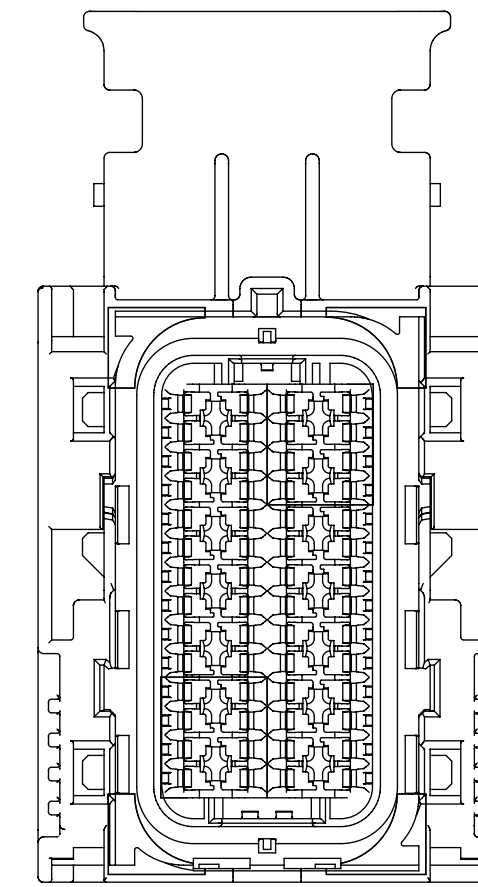
KEY H



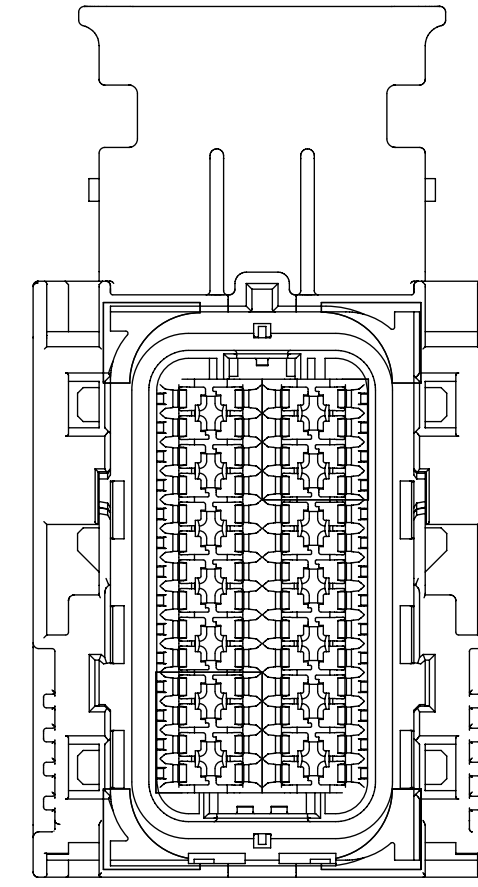
KEY J



KEY K

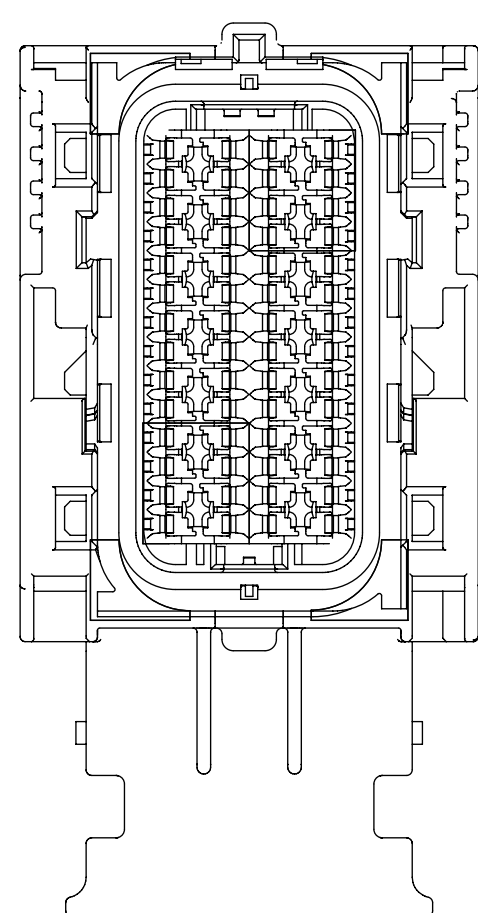
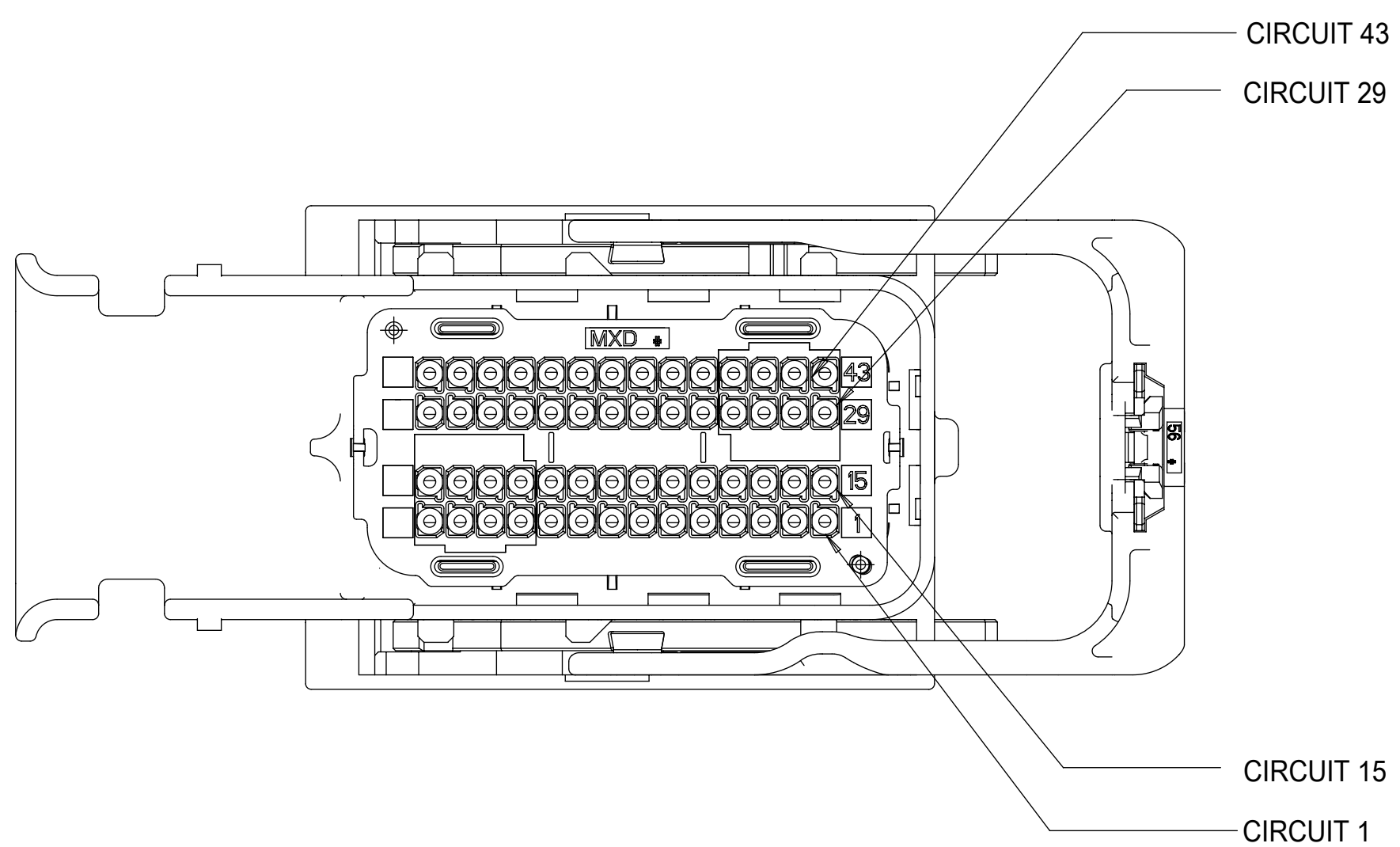


KEY L

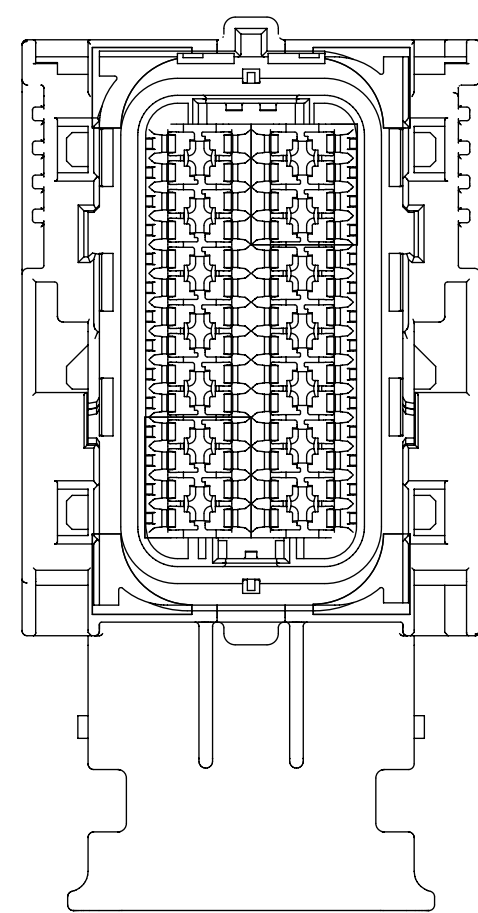


KEY M

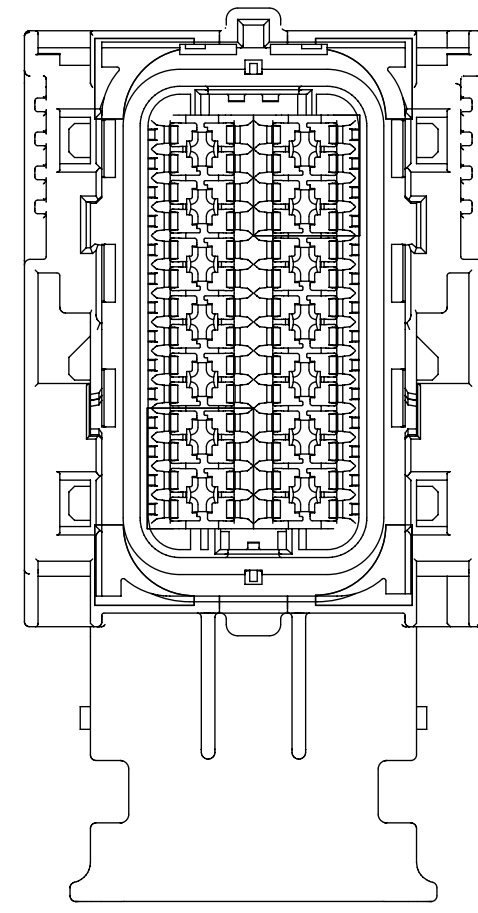
WIRE DRESS OPTION 9



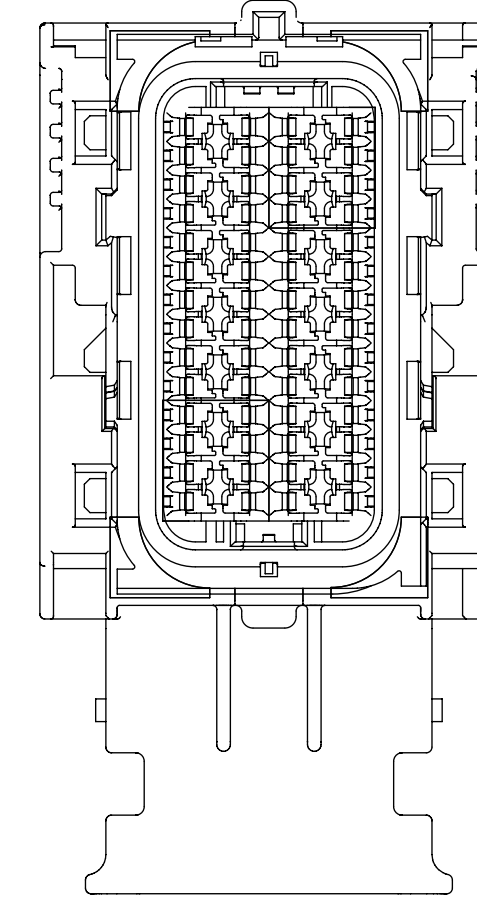
KEY G



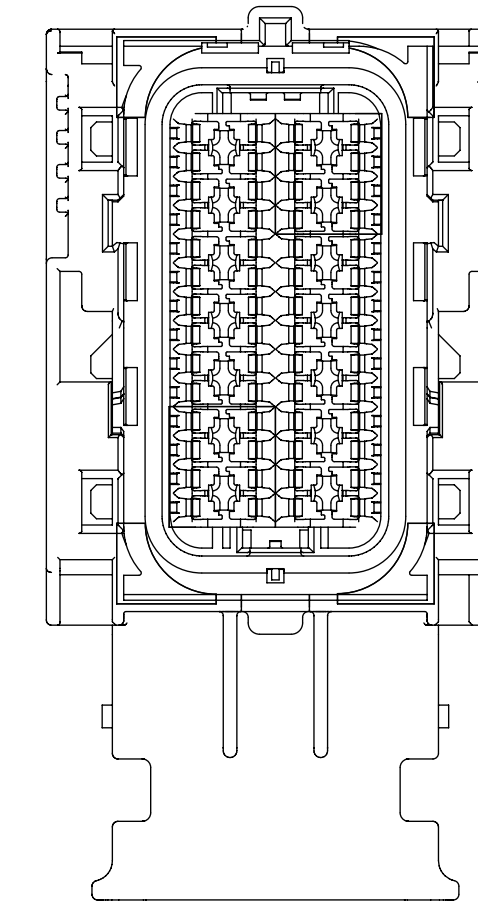
KEY H



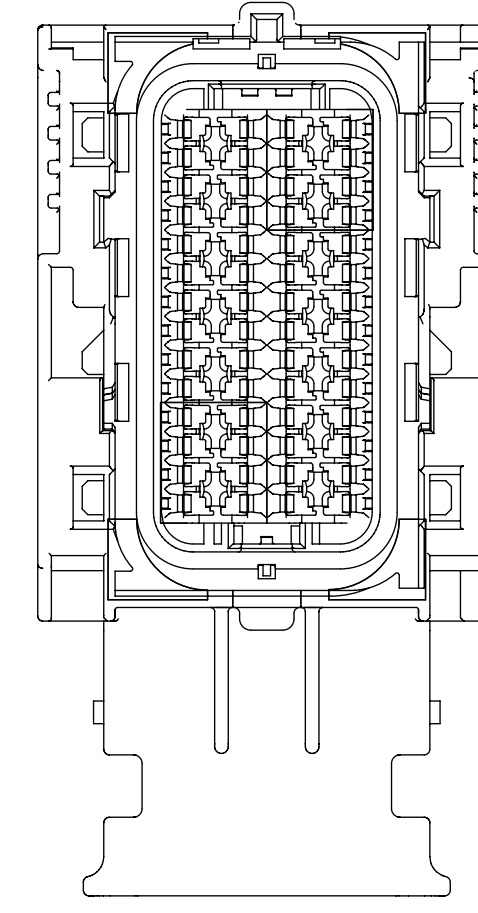
KEY J



KEY K



KEY L



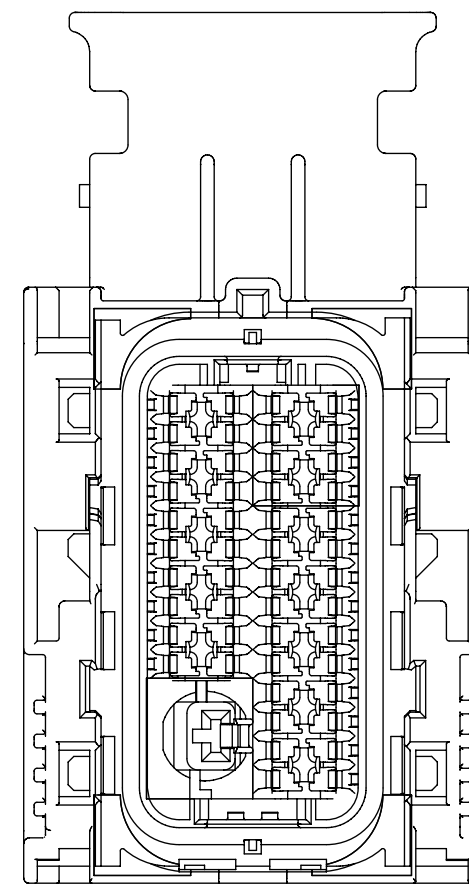
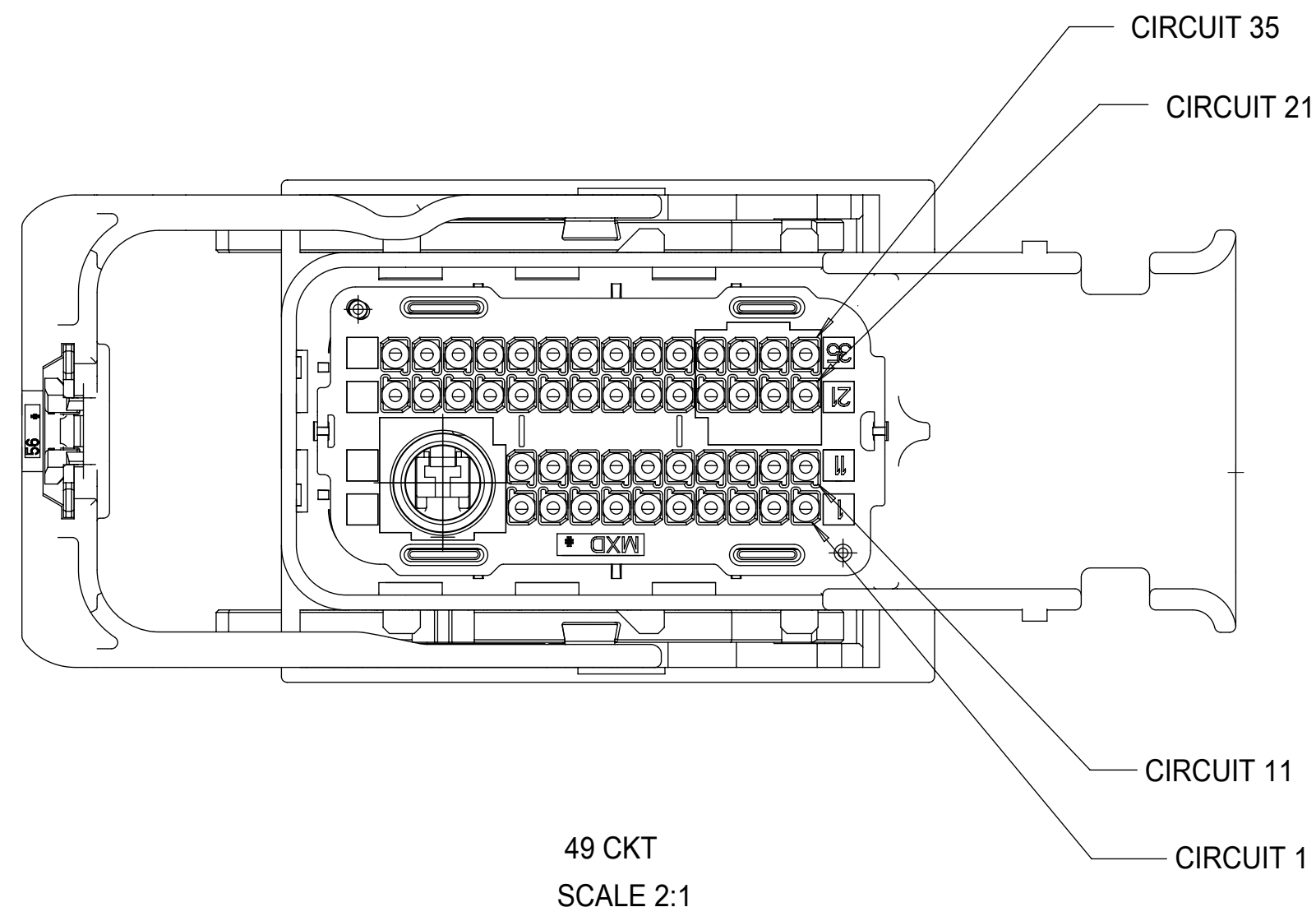
KEY M

<b>QUALITY SYMBOLS</b>  F = 0 E = 0 D = 0 C = 0 B = 0 A = 0 □ = 0	THIS DRAWING CONTAINS INFORMATION THAT IS PROPRIETARY TO MOLEX ELECTRONIC TECHNOLOGIES, LLC AND SHOULD NOT BE USED WITHOUT WRITTEN PERMISSION									
	2017/03/27	2017/03/30	GENERAL TOLERANCES (UNLESS SPECIFIED)		DIMENSION UNITS	SCALE	 MX123 18/49/56 CKT HRNS CONN ASSY			
	DRWN: TYE	CHKD: JDENG02	ANGULAR TOL ± °		MM	1:1				
	EC NO: 115012	REV: APPR: JDENG02	4 PLACES ±	SKRAJENDRANA	DATE	PRODUCT CUSTOMER DRAWING SERIES: 34576 MATERIAL NUMBER: SEE BOM TABLE CUSTOMER: GENERAL MARKET				
			3 PLACES ±	SKRAJENDRANA	2011/01/25					
			2 PLACES ±	CHKD BY	DATE	DOCUMENT NUMBER: SD-34576-001 DOC TYPE: PSD DOC PART: 000 SHEET NUMBER: 2 OF 20				
			1 PLACE ±	APPR BY	DATE					
			0 PLACES ±	SKRAJENDRANA	2016/10/24	DRAFT WHERE APPLICABLE MUST REMAIN WITHIN DIMENSIONS				
				DRAWING SIZE	THIRD ANGLE PROJECTION					
				D						

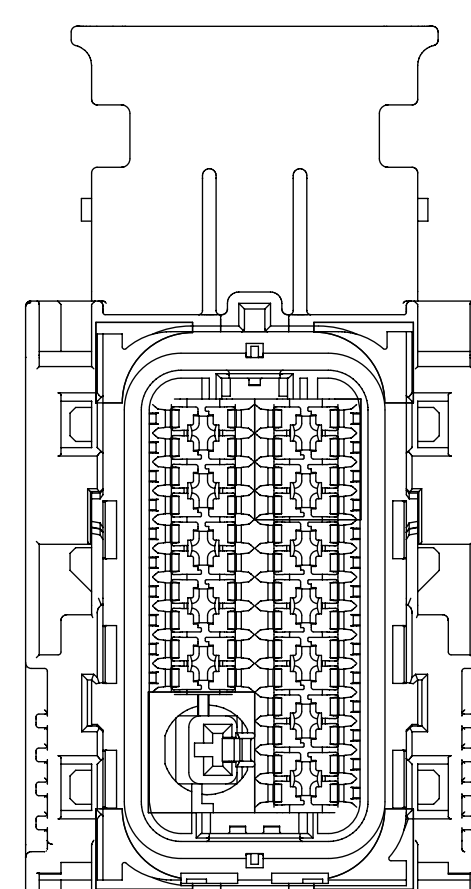
# 49 CKT

## WIRE DRESS OPTION 0

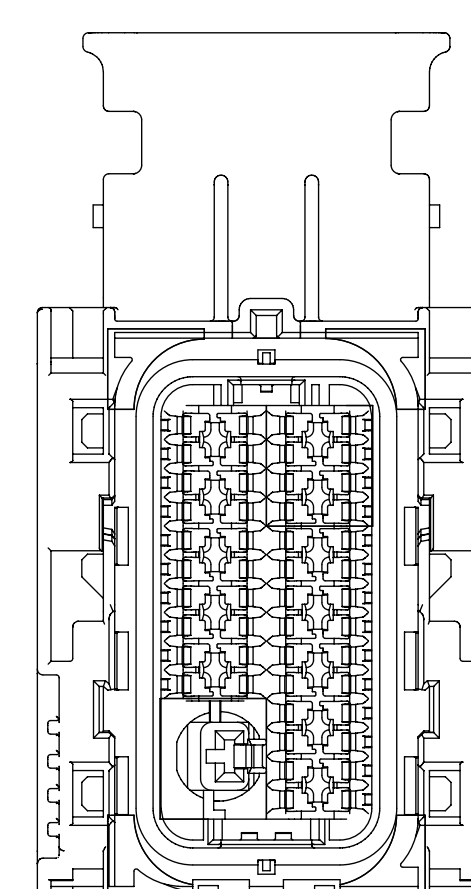
HOUSING ONLY, SHOWN FOR CLARITY



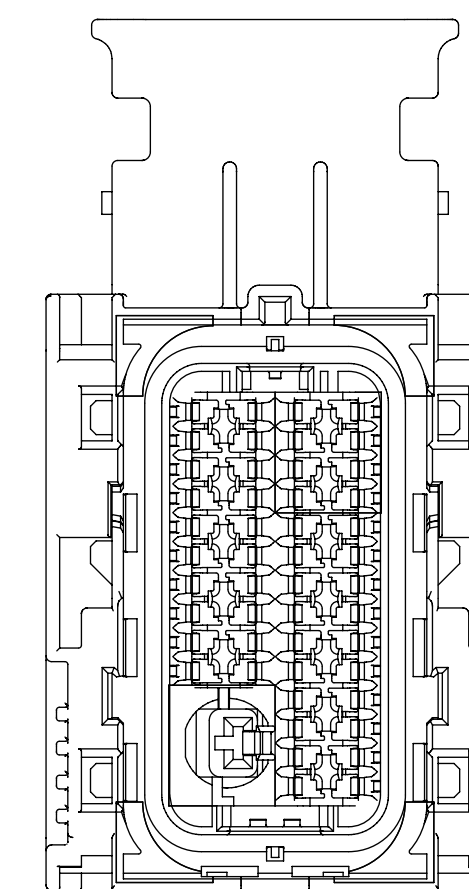
KEY A



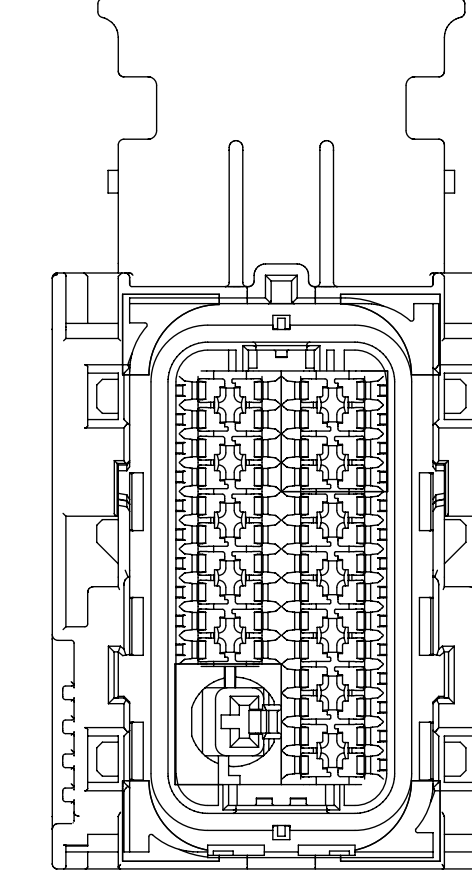
KEY B



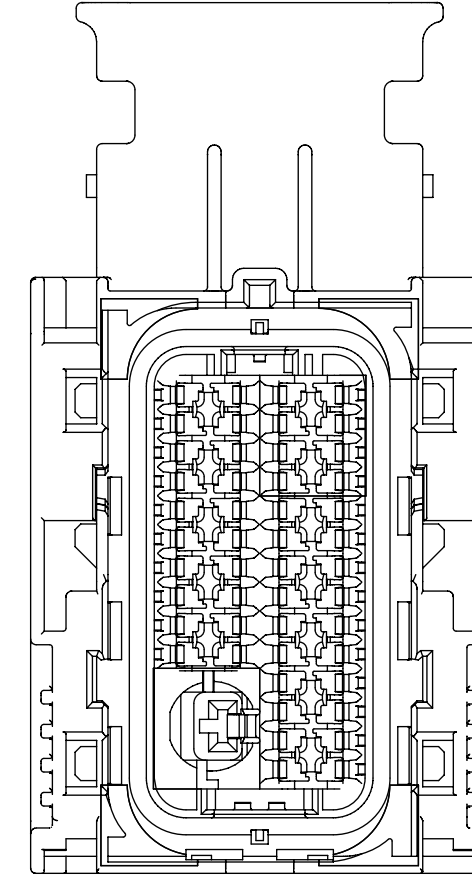
KEY C



KEY D

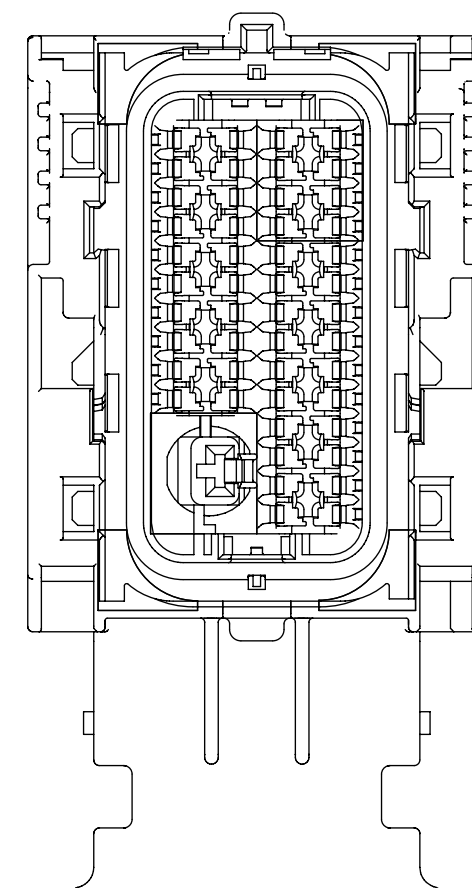
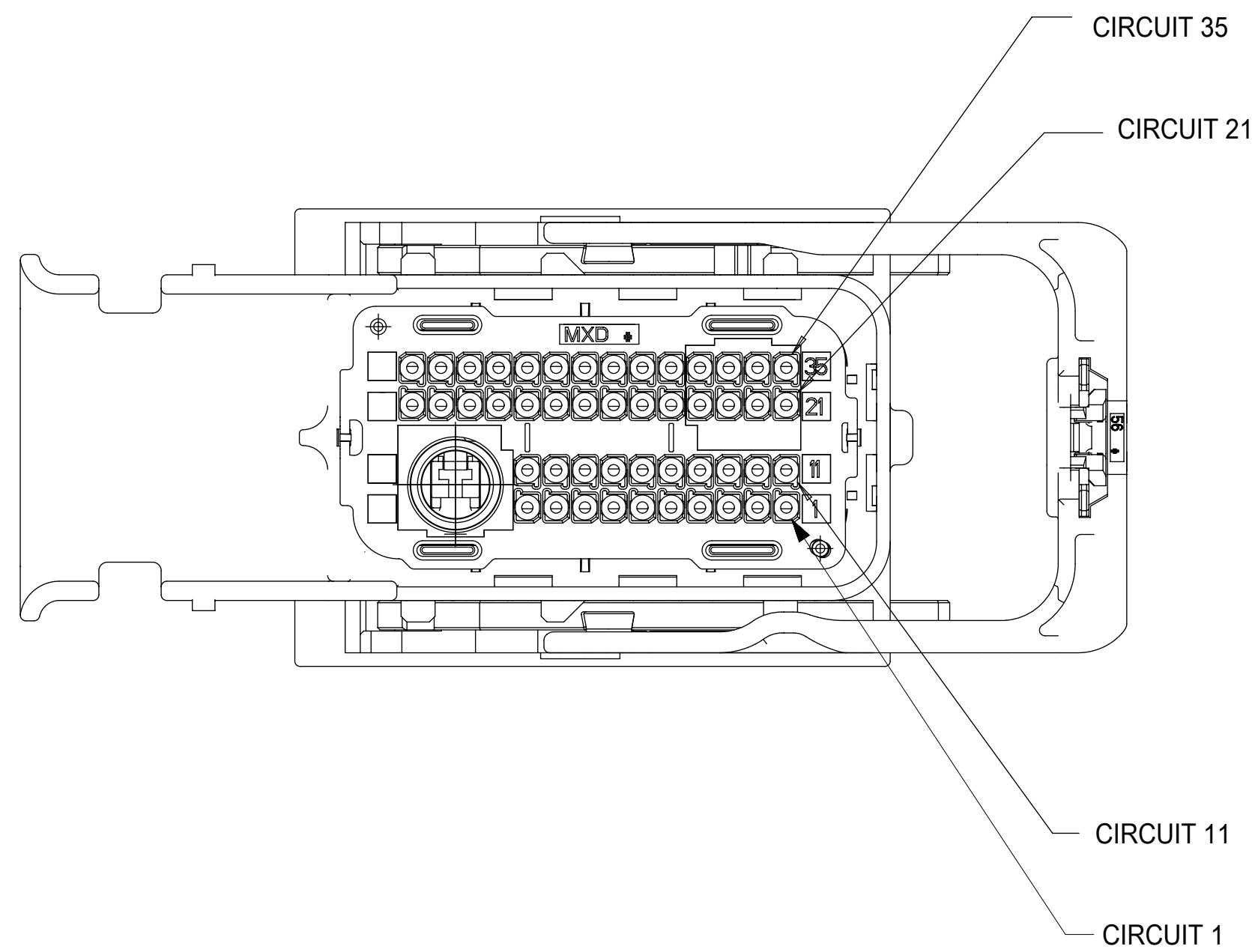


KEY E

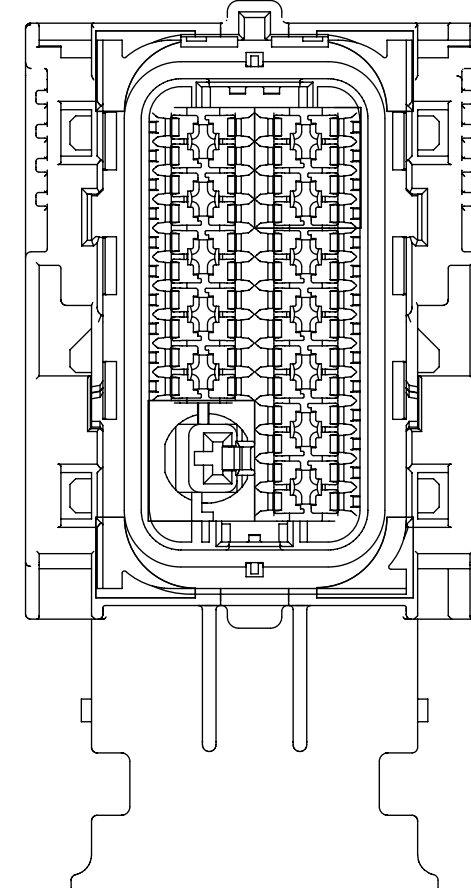


KEY F

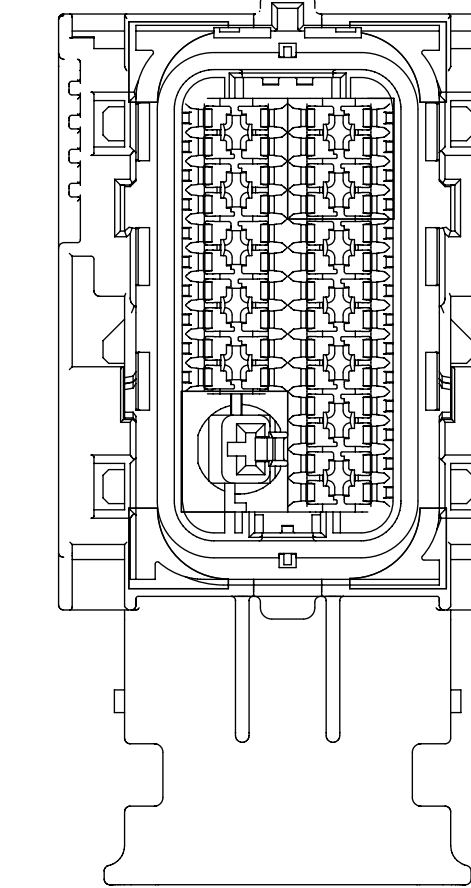
## WIRE DRESS OPTION 9



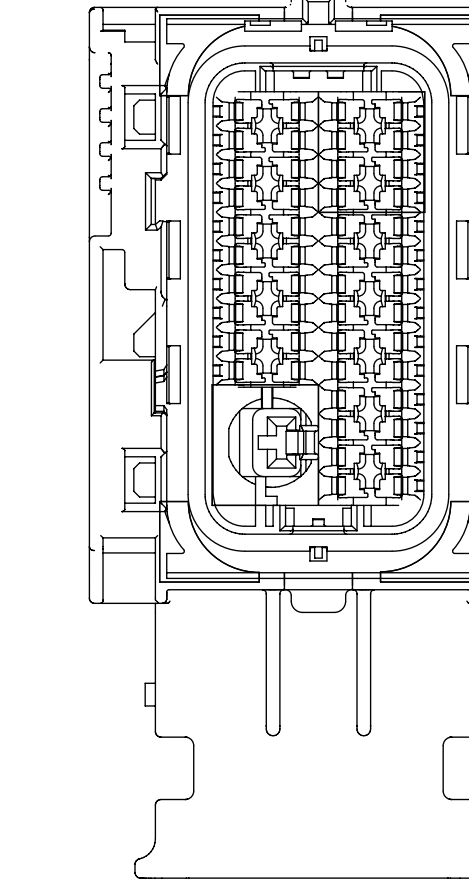
KEY A



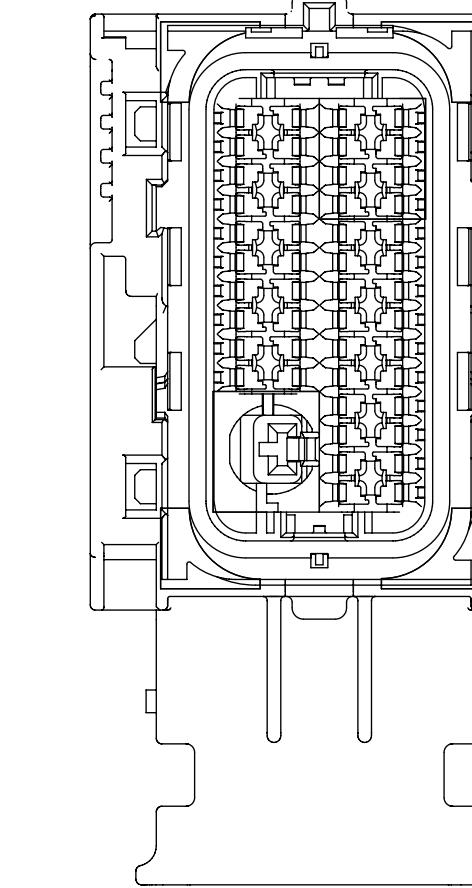
KEY B



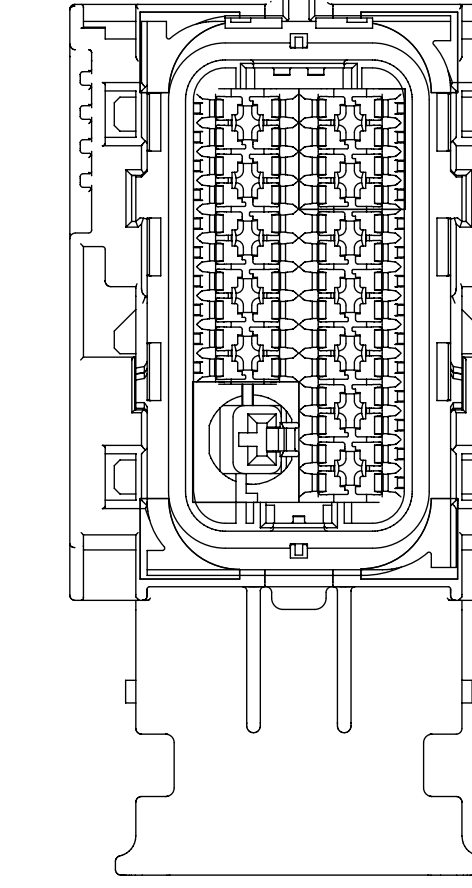
KEY C



KEY D



KEY E

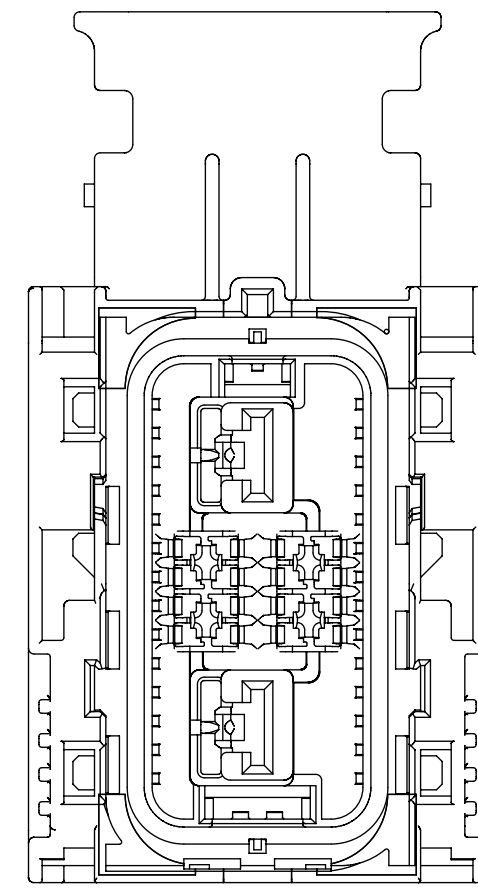
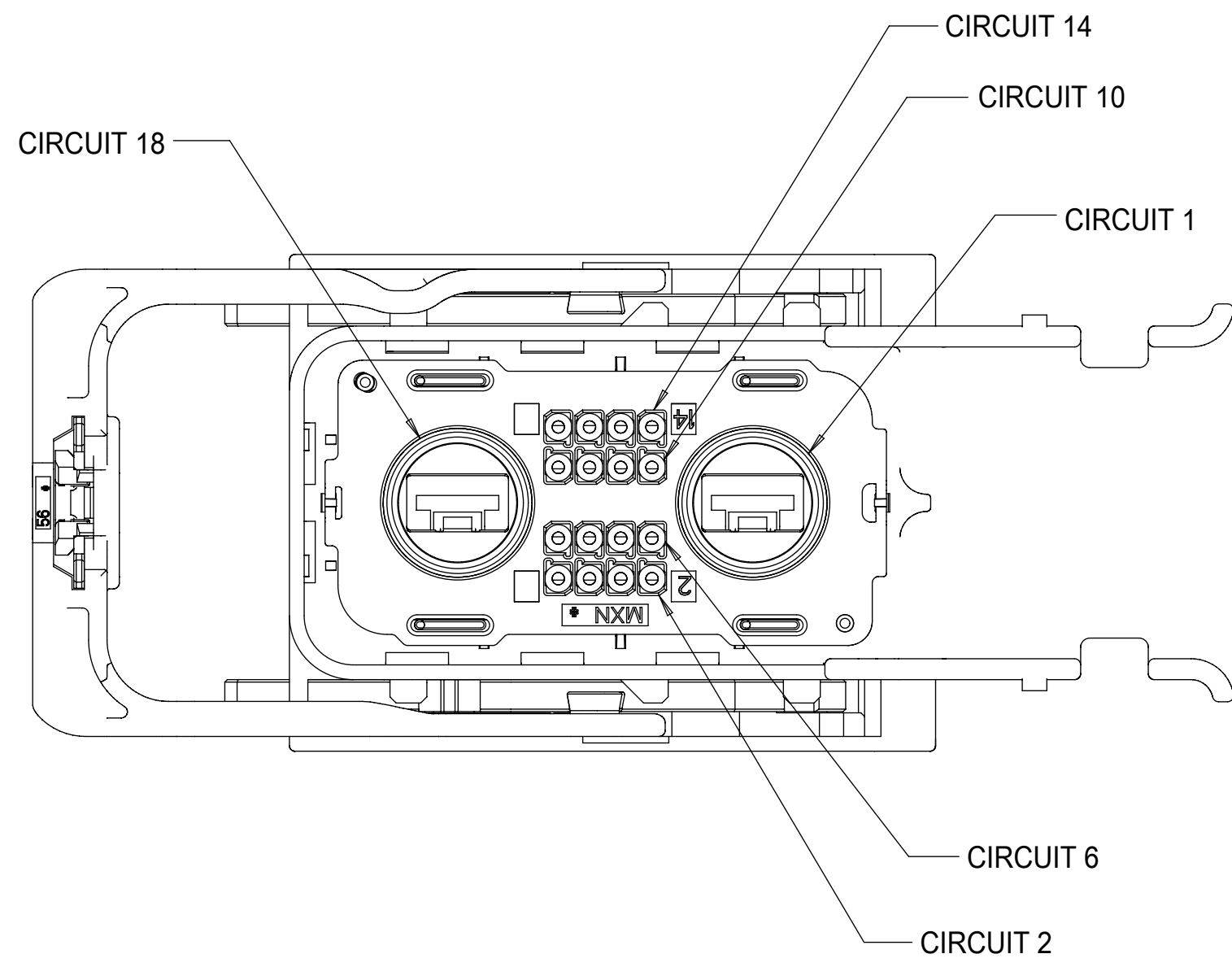


KEY F

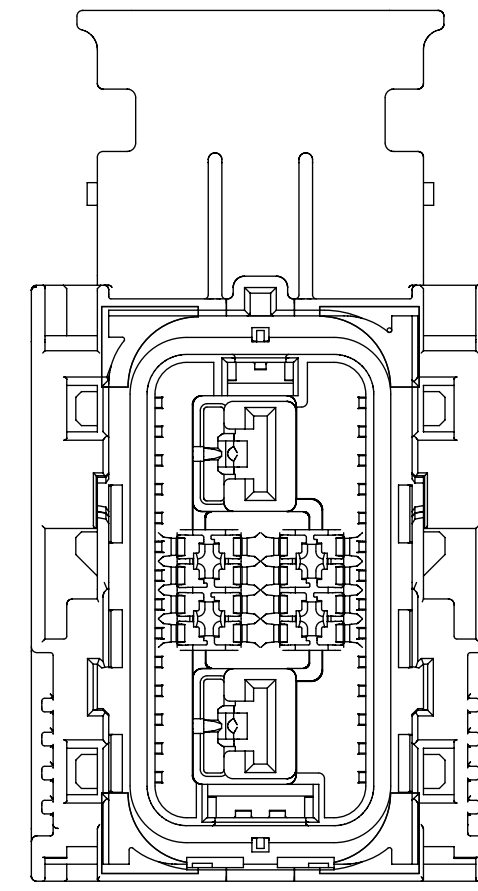
<p>QUALITY SYMBOLS</p> <ul style="list-style-type: none"> <li> = 0</li> <li> = 0</li> <li> = 0</li> <li> = 0</li> <li> = 0</li> <li> = 0</li> <li> = 0</li> <li> = 0</li> <li> = 0</li> <li> = 0</li> <li> = 0</li> </ul>										<p>THIS DRAWING CONTAINS INFORMATION THAT IS PROPRIETARY TO MOLEX ELECTRONIC TECHNOLOGIES, LLC AND SHOULD NOT BE USED WITHOUT WRITTEN PERMISSION</p>									
<p>2017/03/27</p>		<p>2017/03/30</p>		<p>GENERAL TOLERANCES (UNLESS SPECIFIED)</p>		<p>DIMENSION UNITS</p>		<p>SCALE</p>		<p style="text-align: center;"><b>molex</b><sup>®</sup></p> <p style="text-align: center;">MX123 18/49/56 CKT HRNS CONN ASSY</p>									
<p>DRWN: TYE</p>		<p>CHKD: JDENG02</p>		<p>4 PLACES ±</p>		<p>MM</p>		<p>1.5:1</p>											
<p>REV: APPR: JDENG02</p>		<p>3 PLACES ±</p>		<p>ANGULAR TOL ±</p>		<p>DRWN BY</p>		<p>DATE</p>											
<p>EC NO: 115012</p>		<p>1 PLACE ±</p>		<p>0 PLACES ±</p>		<p>SKRAJENDRANA</p>		<p>2011/01/25</p>		<p>PRODUCT CUSTOMER DRAWING</p>									
<p>F74</p>		<p>DRAFT WHERE APPLICABLE MUST REMAIN WITHIN DIMENSIONS</p>		<p>D</p>		<p>THIRD ANGLE PROJECTION</p>		<p>APPR BY</p>		<p>DATE</p>									
<p>RELEASE STATUS</p>		<p>RELEASE DATE</p>		<p>34576</p>		<p>SEE BOM TABLE</p>		<p>SKRAJENDRANA</p>		<p>2016/10/24</p>									
<p>19</p>		<p>18</p>		<p>17</p>		<p>16</p>		<p>15</p>		<p>14</p>									
<p>13</p>		<p>12</p>		<p>11</p>		<p>10</p>		<p>9</p>		<p>8</p>									
<p>7</p>		<p>6</p>		<p>5</p>		<p>4</p>		<p>3</p>		<p>2</p>									
<p>1</p>		<p>3 OF 20</p>		<p>SD-34576-001</p>		<p>PSD</p>		<p>000</p>		<p>3 OF 20</p>									

# 18 CKT WIRE DRESS OPTION 0

HOUSING ONLY, SHOWN FOR CLARITY

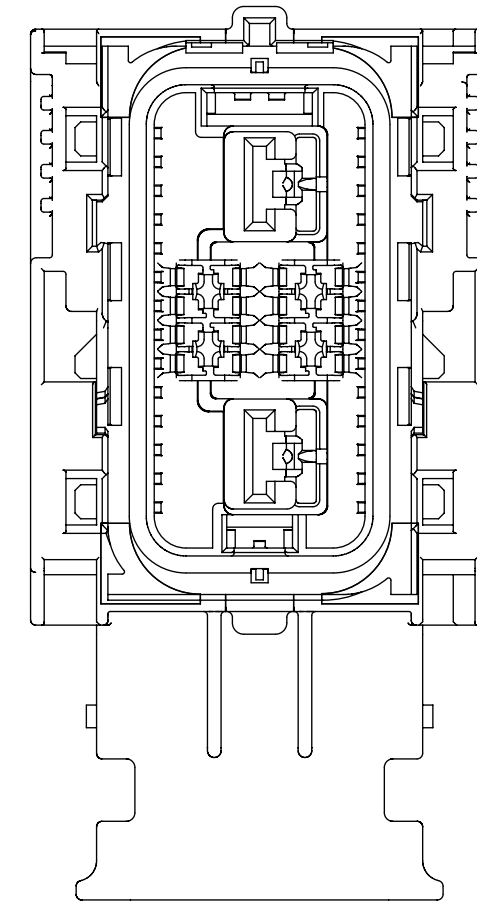
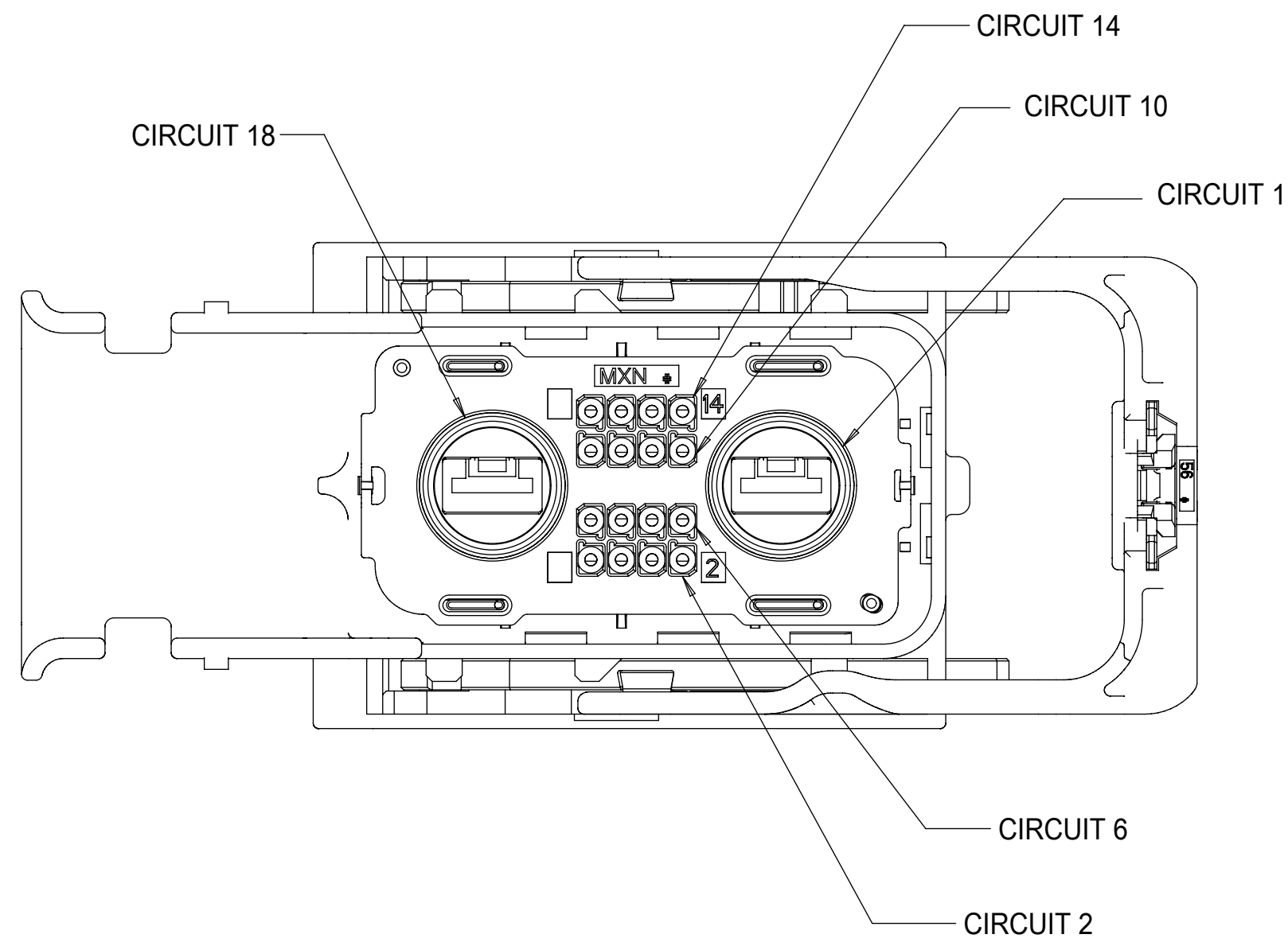


KEY G

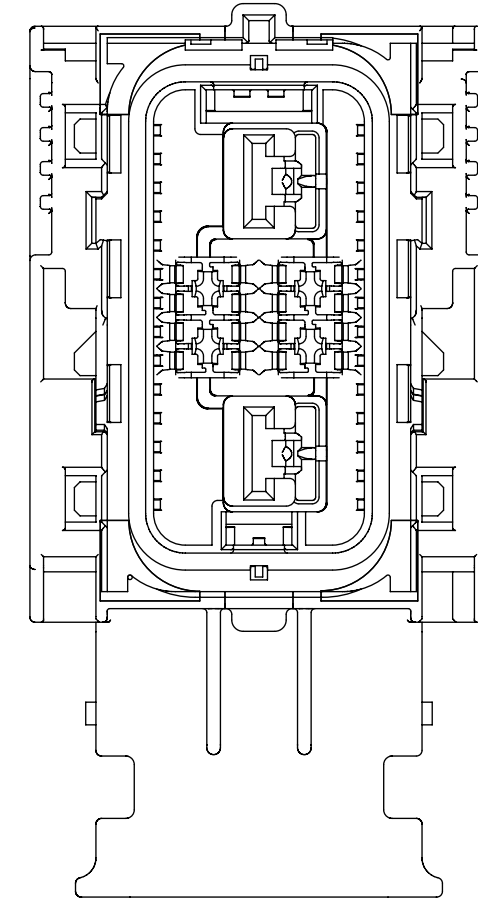


KEY H

# WIRE DRESS OPTION 9



KEY G



KEY H

<b>QUALITY SYMBOLS</b> F = 0 E = 0 D = 0 C = 0 B = 0 A = 0 19 = 0 18 = 0 17 = 0 16 = 0 15 = 0 14 = 0 13 = 0 12 = 0 11 = 0 10 = 0 9 = 0 8 = 0 7 = 0 6 = 0 5 = 0 4 = 0 3 = 0 2 = 0 1 = 0	THIS DRAWING CONTAINS INFORMATION THAT IS PROPRIETARY TO MOLEX ELECTRONIC TECHNOLOGIES, LLC AND SHOULD NOT BE USED WITHOUT WRITTEN PERMISSION EC NO: 115012 DRWN: TYE CHK'D: JDENG02 REV: APPR: JDENG02 F74 DIMENSION UNITS: MM SCALE: 1.5:1 GENERAL TOLERANCES (UNLESS SPECIFIED) ANGULAR TOL ± ° 4 PLACES ± 3 PLACES ± 2 PLACES ± 1 PLACE ± 0 PLACES ± DRAFT WHERE APPLICABLE MUST REMAIN WITHIN DIMENSIONS DIMENSION UNITS: MM SCALE: 1.5:1 DRWN BY: SKRAJENDRANA DATE: 2011/01/25 CHKD BY: SKRAJENDRANA DATE: 2016/10/24 APPR BY: SKRAJENDRANA DATE: 2016/10/24 DRAWING SIZE: D THIRD ANGLE PROJECTION	<table border="1" style="width: 100%; border-collapse: collapse;"> <tr> <td colspan="3" style="text-align: center;"><b>molex</b></td> </tr> <tr> <td colspan="3" style="text-align: center;">MX123 18/49/56 CKT HRNS CONN ASSY</td> </tr> <tr> <td colspan="3" style="text-align: center;">PRODUCT CUSTOMER DRAWING</td> </tr> <tr> <td style="width: 25%;">SERIES</td> <td style="width: 50%;">MATERIAL NUMBER</td> <td style="width: 25%;">CUSTOMER</td> </tr> <tr> <td>34576</td> <td>SEE BOM TABLE</td> <td>GENERAL MARKET</td> </tr> <tr> <td>DOCUMENT NUMBER</td> <td>DOC TYPE</td> <td>DOC PART   SHEET NUMBER</td> </tr> <tr> <td>SD-34576-001</td> <td>PSD</td> <td>000   4 OF 20</td> </tr> </table>	<b>molex</b>			MX123 18/49/56 CKT HRNS CONN ASSY			PRODUCT CUSTOMER DRAWING			SERIES	MATERIAL NUMBER	CUSTOMER	34576	SEE BOM TABLE	GENERAL MARKET	DOCUMENT NUMBER	DOC TYPE	DOC PART   SHEET NUMBER	SD-34576-001	PSD	000   4 OF 20
<b>molex</b>																							
MX123 18/49/56 CKT HRNS CONN ASSY																							
PRODUCT CUSTOMER DRAWING																							
SERIES	MATERIAL NUMBER	CUSTOMER																					
34576	SEE BOM TABLE	GENERAL MARKET																					
DOCUMENT NUMBER	DOC TYPE	DOC PART   SHEET NUMBER																					
SD-34576-001	PSD	000   4 OF 20																					


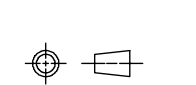
CKT SIZE	STATUS	GM PART #	MATERIAL #	PART/MATERIAL REVISION	WIRE DRESS OPTION	KEY OPTION	COLOR (TPA)	NUMBERS INDICATE CAVITIES OPEN FOR CIRCUITS																																																																			
								<table border="1"> <tr><td>48</td><td>47</td><td>46</td><td>45</td><td>44</td><td>43</td><td>42</td><td>41</td><td>40</td><td>39</td><td>38</td><td>37</td><td>36</td><td>35</td><td>34</td><td>33</td><td>32</td><td>31</td><td>30</td><td>29</td><td>28</td><td>27</td><td>26</td><td>25</td><td>24</td><td>23</td><td>22</td><td>21</td><td>20</td><td>19</td><td>18</td><td>17</td><td>16</td><td>15</td><td>14</td><td>13</td><td>12</td><td>11</td><td>10</td><td>9</td><td>8</td><td>7</td><td>6</td><td>5</td><td>4</td><td>3</td><td>2</td><td>1</td></tr> </table>																												48	47	46	45	44	43	42	41	40	39	38	37	36	35	34	33	32	31	30	29	28	27	26	25	24	23	22	21	20	19	18	17	16	15	14	13	12	11	10	9
48	47	46	45	44	43	42	41	40	39	38	37	36	35	34	33	32	31	30	29	28	27	26	25	24	23	22	21	20	19	18	17	16	15	14	13	12	11	10	9	8	7	6	5	4	3	2	1																												
49 CKT	SALEABLE	12672838	34576-0103	F	0	A	BLACK																																																																				
	NOT TOOLED	12672840	34576-0203	F	0	B	ST GRY																																																																				
	SALEABLE	12672842	34576-0303	F	0	C	BLUE																																																																				
	NOT TOOLED	TBD	34576-0403	F	0	D	BROWN																																																																				
	NOT TOOLED	TBD	34576-0503	F	0	E	GREEN																																																																				
56 CKT	AVAILABLE	12672848	34576-0703	F	0	G	BLUE																																																																				
	SALEABLE	12672846	34576-0803	F	0	H	ST GRY																																																																				
	ACTIVE	12672844	34576-0903	F	0	J	BLACK																																																																				
	ACTIVE	TBD	34576-1003	F	0	K	BROWN																																																																				
	ACTIVE	TBD	34576-1103	F	0	L	GREEN																																																																				
49 CKT	SALEABLE	12672839	34576-1303	F	9	A	BLACK																																																																				
	NOT TOOLED	12672841	34576-1403	F	9	B	ST GRY																																																																				
	SALEABLE	12672843	34576-1503	F	9	C	BLUE																																																																				
	NOT TOOLED	TBD	34576-1603	F	9	D	BROWN																																																																				
	NOT TOOLED	TBD	34576-1703	F	9	E	GREEN																																																																				
56 CKT	AVAILABLE	12672849	34576-1903	F	9	G	BLUE																																																																				
	ACTIVE	12672847	34576-2003	F	9	H	ST GRY																																																																				
	ACTIVE	12672845	34576-2103	F	9	J	BLACK																																																																				
	ACTIVE	TBD	34576-2203	F	9	K	BROWN																																																																				
	ACTIVE	TBD	34576-2303	F	9	L	GREEN																																																																				
18 CKT	SALEABLE	12672834	34851-0007	A	0	G	BLUE																																																																				
	SALEABLE	12672836	34851-0008	A	0	H	ST GRY																																																																				
18 CKT	SALEABLE	12672835	34851-0019	A	9	G	BLUE																																																																				
	SALEABLE	12672837	34851-0020	A	9	H	ST GRY																																																																				
	AVAILABLE		34576-2503	F	0	G	BLUE																																																																				
	AVAILABLE		34576-2603	F	0	G	BLUE																																																																				
	AVAILABLE		34576-2703	F	0	G	BLUE																																																																				

SEE NEXT PAGE FOR ADDITIONAL NUMBERS


<b>QUALITY SYMBOLS</b> 	THIS DRAWING CONTAINS INFORMATION THAT IS PROPRIETARY TO MOLEX ELECTRONIC TECHNOLOGIES, LLC AND SHOULD NOT BE USED WITHOUT WRITTEN PERMISSION									
	EC NO: 115012 DRWN: TYE CHKD: JDENG02 REV APPR: JDENG02	2017/03/27 2017/03/30	<b>GENERAL TOLERANCES (UNLESS SPECIFIED)</b> DIMENSION UNITS: MM SCALE: 1.5:1 ANGULAR TOL ± ° 4 PLACES ± 3 PLACES ± 2 PLACES ± 1 PLACE ± 0 PLACES ± DRAFT WHERE APPLICABLE MUST REMAIN WITHIN DIMENSIONS	DRWN BY: SKRAJENDRANA DATE: 2011/01/25 CHKD BY: SKRAJENDRANA DATE: 2016/10/24 APPR BY: SKRAJENDRANA DATE: 2016/10/24	<b>molex</b> MX123 18/49/56 CKT HRNS CONN ASSY PRODUCT CUSTOMER DRAWING	SERIES: 34576 MATERIAL NUMBER: SEE BOM TABLE CUSTOMER: GENERAL MARKET				
RELEASE STATUS: 19 RELEASE DATE: 18	DOCUMENT NUMBER: SD-34576-001 DOC TYPE: PSD DOC PART: 000 SHEET NUMBER: 5 OF 20									



STATUS	GM PART #	MATERIAL #	PART/ MATERIAL REVISION	WIRE DRESS OPTION	KEY OPTION ▽ F <sub>P</sub>	COLOR (TPA) ▽ F <sub>P</sub>	NUMBERS INDICATE CAVITIES OPEN FOR CIRCUITS ▽ F <sub>P</sub>																																																				
AVAILABLE	NOT APPLICABLE	34576-2803	F	0	G	BLUE	<table border="1"> <tr><td></td><td>55</td><td>54</td><td>53</td><td></td><td></td><td>49</td><td>48</td><td>47</td><td></td><td></td><td>44</td><td></td></tr> <tr><td></td><td></td><td>40</td><td></td><td></td><td>37</td><td>36</td><td>35</td><td>34</td><td>33</td><td></td><td></td><td></td></tr> <tr><td></td><td></td><td>26</td><td></td><td></td><td></td><td></td><td></td><td>20</td><td>19</td><td>18</td><td></td><td></td></tr> <tr><td></td><td>13</td><td>12</td><td></td><td></td><td>9</td><td>7</td><td></td><td></td><td></td><td></td><td></td><td></td></tr> </table>		55	54	53			49	48	47			44				40			37	36	35	34	33						26						20	19	18				13	12			9	7						
	55	54	53			49	48	47			44																																																
		40			37	36	35	34	33																																																		
		26						20	19	18																																																	
	13	12			9	7																																																					
AVAILABLE	NOT APPLICABLE	34576-2903	F	0	G	BLUE	<table border="1"> <tr><td>56</td><td>55</td><td></td><td>53</td><td></td><td></td><td>49</td><td>48</td><td>47</td><td>46</td><td>45</td><td>44</td><td></td></tr> <tr><td></td><td></td><td>40</td><td>39</td><td></td><td>37</td><td>36</td><td>35</td><td>34</td><td>33</td><td></td><td></td><td>30</td></tr> <tr><td></td><td></td><td></td><td>25</td><td></td><td></td><td></td><td></td><td>20</td><td>19</td><td>18</td><td></td><td></td></tr> <tr><td></td><td>13</td><td>12</td><td></td><td></td><td>9</td><td>7</td><td></td><td></td><td></td><td></td><td></td><td></td></tr> </table>	56	55		53			49	48	47	46	45	44				40	39		37	36	35	34	33			30				25					20	19	18				13	12			9	7						
56	55		53			49	48	47	46	45	44																																																
		40	39		37	36	35	34	33			30																																															
			25					20	19	18																																																	
	13	12			9	7																																																					
AVAILABLE	NOT APPLICABLE	34576-3003	F	0	G	BLUE	<table border="1"> <tr><td>56</td><td>55</td><td>54</td><td>53</td><td></td><td></td><td>49</td><td>48</td><td>47</td><td></td><td></td><td>44</td><td></td></tr> <tr><td></td><td></td><td>40</td><td></td><td></td><td>37</td><td>36</td><td>35</td><td>34</td><td>33</td><td></td><td></td><td>29</td></tr> <tr><td></td><td></td><td></td><td></td><td></td><td></td><td></td><td></td><td>20</td><td>19</td><td>18</td><td></td><td>16</td></tr> <tr><td></td><td>13</td><td>12</td><td></td><td></td><td>9</td><td>7</td><td>6</td><td></td><td></td><td></td><td></td><td>2</td></tr> </table>	56	55	54	53			49	48	47			44				40			37	36	35	34	33			29									20	19	18		16		13	12			9	7	6					2
56	55	54	53			49	48	47			44																																																
		40			37	36	35	34	33			29																																															
								20	19	18		16																																															
	13	12			9	7	6					2																																															
AVAILABLE	NOT APPLICABLE	34576-3103	F	0	G	BLUE	<table border="1"> <tr><td>56</td><td>55</td><td>54</td><td>53</td><td></td><td></td><td>49</td><td>48</td><td>47</td><td>46</td><td>45</td><td>44</td><td></td></tr> <tr><td></td><td></td><td>40</td><td>39</td><td></td><td>37</td><td>36</td><td>35</td><td>34</td><td>33</td><td></td><td></td><td></td></tr> <tr><td></td><td></td><td></td><td></td><td></td><td></td><td></td><td></td><td>20</td><td>19</td><td>18</td><td></td><td></td></tr> <tr><td></td><td>13</td><td>12</td><td></td><td></td><td>9</td><td>7</td><td></td><td></td><td></td><td></td><td></td><td></td></tr> </table>	56	55	54	53			49	48	47	46	45	44				40	39		37	36	35	34	33												20	19	18				13	12			9	7						
56	55	54	53			49	48	47	46	45	44																																																
		40	39		37	36	35	34	33																																																		
								20	19	18																																																	
	13	12			9	7																																																					
AVAILABLE	NOT APPLICABLE	34576-3203	F	0	G	BLUE	<table border="1"> <tr><td></td><td>55</td><td>54</td><td>53</td><td></td><td></td><td>49</td><td>48</td><td>47</td><td>46</td><td></td><td>44</td><td></td></tr> <tr><td></td><td></td><td>40</td><td></td><td></td><td>37</td><td>36</td><td>35</td><td>34</td><td>33</td><td>32</td><td>31</td><td></td></tr> <tr><td></td><td></td><td>26</td><td></td><td></td><td></td><td></td><td></td><td>20</td><td>19</td><td>18</td><td></td><td></td></tr> <tr><td></td><td>13</td><td>12</td><td></td><td></td><td>9</td><td>7</td><td></td><td></td><td></td><td></td><td></td><td></td></tr> </table>		55	54	53			49	48	47	46		44				40			37	36	35	34	33	32	31				26						20	19	18				13	12			9	7						
	55	54	53			49	48	47	46		44																																																
		40			37	36	35	34	33	32	31																																																
		26						20	19	18																																																	
	13	12			9	7																																																					
AVAILABLE	NOT APPLICABLE	34576-3303	F	0	G	BLUE	<table border="1"> <tr><td>56</td><td>55</td><td>54</td><td></td><td></td><td></td><td>49</td><td>48</td><td>47</td><td></td><td></td><td>44</td><td></td></tr> <tr><td></td><td></td><td>40</td><td></td><td></td><td>37</td><td>36</td><td>35</td><td>34</td><td>33</td><td></td><td></td><td></td></tr> <tr><td></td><td></td><td></td><td></td><td></td><td></td><td></td><td></td><td>20</td><td>19</td><td>18</td><td></td><td></td></tr> <tr><td></td><td>13</td><td>12</td><td></td><td></td><td>9</td><td>7</td><td>6</td><td></td><td></td><td></td><td></td><td></td></tr> </table>	56	55	54				49	48	47			44				40			37	36	35	34	33												20	19	18				13	12			9	7	6					
56	55	54				49	48	47			44																																																
		40			37	36	35	34	33																																																		
								20	19	18																																																	
	13	12			9	7	6																																																				
AVAILABLE	NOT APPLICABLE	34576-3403	F	0	G	BLUE	<table border="1"> <tr><td></td><td>55</td><td>54</td><td>53</td><td></td><td></td><td>49</td><td>48</td><td>47</td><td></td><td></td><td>44</td><td></td></tr> <tr><td></td><td></td><td>40</td><td>39</td><td></td><td>37</td><td>36</td><td>35</td><td>34</td><td>33</td><td></td><td></td><td></td></tr> <tr><td></td><td></td><td>26</td><td></td><td></td><td></td><td></td><td></td><td>20</td><td>19</td><td>18</td><td></td><td></td></tr> <tr><td></td><td>13</td><td>12</td><td></td><td></td><td>9</td><td>7</td><td></td><td></td><td></td><td></td><td></td><td></td></tr> </table>		55	54	53			49	48	47			44				40	39		37	36	35	34	33						26						20	19	18				13	12			9	7						
	55	54	53			49	48	47			44																																																
		40	39		37	36	35	34	33																																																		
		26						20	19	18																																																	
	13	12			9	7																																																					
AVAILABLE	NOT APPLICABLE	34576-3503	F	0	G	BLUE	<table border="1"> <tr><td>56</td><td>55</td><td></td><td>53</td><td></td><td></td><td>49</td><td>48</td><td>47</td><td></td><td></td><td>44</td><td></td></tr> <tr><td></td><td></td><td>40</td><td></td><td></td><td>37</td><td>36</td><td>35</td><td>34</td><td>33</td><td></td><td></td><td></td></tr> <tr><td></td><td></td><td></td><td></td><td></td><td></td><td></td><td></td><td>20</td><td>19</td><td>18</td><td></td><td></td></tr> <tr><td></td><td>13</td><td>12</td><td></td><td></td><td>9</td><td>7</td><td>6</td><td></td><td></td><td></td><td></td><td>2</td></tr> </table>	56	55		53			49	48	47			44				40			37	36	35	34	33												20	19	18				13	12			9	7	6					2
56	55		53			49	48	47			44																																																
		40			37	36	35	34	33																																																		
								20	19	18																																																	
	13	12			9	7	6					2																																															
SEE NEXT PAGE FOR ADDITIONAL NUMBERS																																																											

<b>QUALITY SYMBOLS</b> ▽ <sub>F</sub> = 0 ▽ <sub>E</sub> = 0 ▽ <sub>P</sub> = 0 ▽ = 0 ▽ <sub>C</sub> = 0 ☒ = 0 ■ = 0 ▽ = 0	THIS DRAWING CONTAINS INFORMATION THAT IS PROPRIETARY TO MOLEX ELECTRONIC TECHNOLOGIES, LLC AND SHOULD NOT BE USED WITHOUT WRITTEN PERMISSION										
	2017/03/27	2017/03/30	GENERAL TOLERANCES (UNLESS SPECIFIED)		DIMENSION UNITS	SCALE	 MX123 18/49/56 CKT HRNS CONN ASSY				
	DRWN: TYE	CHKD: JDENG02	ANGULAR TOL ± °		MM	1:1					
	EC NO: 115012 DRWN: TYE CHKD: JDENG02 REV APPR: JDENG02	4 PLACES ±		SKRAJENDRANA		DATE		PRODUCT CUSTOMER DRAWING SERIES: 34576 MATERIAL NUMBER: SEE BOM TABLE CUSTOMER: GENERAL MARKET DOCUMENT NUMBER: SD-34576-001 DOC TYPE: PSD DOC PART: 000 SHEET NUMBER: 6 OF 20			
		3 PLACES ±		SKRAJENDRANA		2011/01/25					
		2 PLACES ±		SKRAJENDRANA		2016/10/24					
		1 PLACE ±		DRAFT WHERE APPLICABLE MUST REMAIN WITHIN DIMENSIONS		D					
		0 PLACES ±		THIRD ANGLE PROJECTION							

STATUS	GM PART #	MATERIAL #	PART/ MATERIAL REVISION	WIRE DRESS OPTION	KEY OPTION ▽	COLOR (TPA) ▽	NUMBERS INDICATE CAVITIES OPEN FOR CIRCUITS ▽																																																								
AVAILABLE	NOT APPLICABLE	34576-3603	F	0	G	BLUE	<table border="1"> <tr><td></td><td>55</td><td>54</td><td>53</td><td></td><td></td><td></td><td>49</td><td>48</td><td>47</td><td></td><td></td><td>44</td><td></td></tr> <tr><td></td><td></td><td>40</td><td></td><td></td><td>37</td><td>36</td><td>35</td><td>34</td><td>33</td><td></td><td></td><td></td><td></td></tr> <tr><td></td><td></td><td>26</td><td></td><td></td><td></td><td></td><td></td><td>20</td><td>19</td><td>18</td><td></td><td></td><td></td></tr> <tr><td></td><td>13</td><td>12</td><td></td><td></td><td>9</td><td>7</td><td></td><td></td><td></td><td></td><td></td><td></td><td></td></tr> </table>		55	54	53				49	48	47			44				40			37	36	35	34	33							26						20	19	18					13	12			9	7							
	55	54	53				49	48	47			44																																																			
		40			37	36	35	34	33																																																						
		26						20	19	18																																																					
	13	12			9	7																																																									
AVAILABLE	NOT APPLICABLE	34576-3703	F	0	G	BLUE	<table border="1"> <tr><td>56</td><td>55</td><td>54</td><td>53</td><td></td><td>51</td><td></td><td>49</td><td>48</td><td>47</td><td></td><td></td><td>44</td><td></td></tr> <tr><td></td><td></td><td>40</td><td></td><td></td><td>37</td><td>36</td><td>35</td><td>34</td><td>33</td><td></td><td></td><td></td><td>29</td></tr> <tr><td></td><td></td><td></td><td></td><td></td><td></td><td></td><td></td><td>20</td><td>19</td><td>18</td><td></td><td>16</td><td>15</td></tr> <tr><td></td><td>13</td><td>12</td><td></td><td></td><td>9</td><td>7</td><td>6</td><td></td><td></td><td></td><td></td><td>2</td><td></td></tr> </table>	56	55	54	53		51		49	48	47			44				40			37	36	35	34	33				29									20	19	18		16	15		13	12			9	7	6					2	
56	55	54	53		51		49	48	47			44																																																			
		40			37	36	35	34	33				29																																																		
								20	19	18		16	15																																																		
	13	12			9	7	6					2																																																			
AVAILABLE	NOT APPLICABLE	34576-3803	F	0	G	BLUE	<table border="1"> <tr><td>56</td><td></td><td>54</td><td>53</td><td></td><td></td><td></td><td>49</td><td></td><td>47</td><td>46</td><td></td><td>44</td><td></td></tr> <tr><td></td><td></td><td>40</td><td>39</td><td></td><td>37</td><td>36</td><td>35</td><td></td><td>33</td><td>32</td><td>31</td><td></td><td>29</td></tr> <tr><td></td><td></td><td></td><td>25</td><td></td><td></td><td></td><td></td><td>20</td><td>19</td><td>18</td><td></td><td></td><td>15</td></tr> <tr><td></td><td>13</td><td>12</td><td></td><td></td><td>9</td><td>7</td><td></td><td></td><td></td><td></td><td></td><td>2</td><td></td></tr> </table>	56		54	53				49		47	46		44				40	39		37	36	35		33	32	31		29				25					20	19	18			15		13	12			9	7						2	
56		54	53				49		47	46		44																																																			
		40	39		37	36	35		33	32	31		29																																																		
			25					20	19	18			15																																																		
	13	12			9	7						2																																																			
AVAILABLE	NOT APPLICABLE	34576-3903	F	0	G	BLUE	<table border="1"> <tr><td>56</td><td></td><td>54</td><td>53</td><td></td><td></td><td></td><td>49</td><td></td><td>47</td><td></td><td></td><td>44</td><td></td></tr> <tr><td></td><td></td><td>40</td><td>39</td><td></td><td>37</td><td>36</td><td>35</td><td></td><td>33</td><td></td><td></td><td></td><td>29</td></tr> <tr><td></td><td></td><td></td><td>25</td><td></td><td></td><td></td><td></td><td>20</td><td>19</td><td>18</td><td></td><td></td><td>15</td></tr> <tr><td></td><td>13</td><td>12</td><td></td><td></td><td>9</td><td>7</td><td></td><td></td><td></td><td></td><td></td><td></td><td></td></tr> </table>	56		54	53				49		47			44				40	39		37	36	35		33				29				25					20	19	18			15		13	12			9	7							
56		54	53				49		47			44																																																			
		40	39		37	36	35		33				29																																																		
			25					20	19	18			15																																																		
	13	12			9	7																																																									
AVAILABLE	NOT APPLICABLE	34576-4003	F	0	G	BLUE	<table border="1"> <tr><td>56</td><td>55</td><td>54</td><td>53</td><td></td><td></td><td></td><td>49</td><td>48</td><td>47</td><td></td><td>45</td><td>44</td><td></td></tr> <tr><td></td><td></td><td>40</td><td>39</td><td></td><td>37</td><td>36</td><td>35</td><td>34</td><td>33</td><td></td><td></td><td></td><td>29</td></tr> <tr><td></td><td></td><td></td><td>25</td><td></td><td></td><td></td><td></td><td>20</td><td>19</td><td>18</td><td></td><td>16</td><td>15</td></tr> <tr><td></td><td>13</td><td>12</td><td></td><td></td><td>9</td><td>7</td><td>6</td><td></td><td></td><td></td><td></td><td></td><td>1</td></tr> </table>	56	55	54	53				49	48	47		45	44				40	39		37	36	35	34	33				29				25					20	19	18		16	15		13	12			9	7	6						1
56	55	54	53				49	48	47		45	44																																																			
		40	39		37	36	35	34	33				29																																																		
			25					20	19	18		16	15																																																		
	13	12			9	7	6						1																																																		
AVAILABLE	NOT APPLICABLE	34576-4103	F	0	G	BLUE	<table border="1"> <tr><td>56</td><td>55</td><td>54</td><td>53</td><td></td><td></td><td></td><td>49</td><td>48</td><td>47</td><td>46</td><td></td><td>44</td><td></td></tr> <tr><td></td><td></td><td>40</td><td>39</td><td>38</td><td>37</td><td>36</td><td>35</td><td>34</td><td>33</td><td>32</td><td>31</td><td></td><td>29</td></tr> <tr><td></td><td></td><td></td><td>25</td><td></td><td></td><td></td><td></td><td>20</td><td>19</td><td>18</td><td></td><td>16</td><td></td></tr> <tr><td></td><td>13</td><td>12</td><td></td><td></td><td>9</td><td>7</td><td></td><td></td><td></td><td></td><td></td><td></td><td></td></tr> </table>	56	55	54	53				49	48	47	46		44				40	39	38	37	36	35	34	33	32	31		29				25					20	19	18		16			13	12			9	7							
56	55	54	53				49	48	47	46		44																																																			
		40	39	38	37	36	35	34	33	32	31		29																																																		
			25					20	19	18		16																																																			
	13	12			9	7																																																									
AVAILABLE	NOT APPLICABLE	34576-4203	F	0	G	BLUE	<table border="1"> <tr><td>56</td><td>55</td><td>54</td><td>53</td><td></td><td></td><td></td><td>49</td><td>48</td><td>47</td><td></td><td>45</td><td>44</td><td></td></tr> <tr><td></td><td></td><td>40</td><td>39</td><td></td><td>37</td><td>36</td><td>35</td><td>34</td><td>33</td><td></td><td></td><td></td><td></td></tr> <tr><td></td><td></td><td></td><td></td><td></td><td></td><td></td><td></td><td>20</td><td>19</td><td>18</td><td></td><td></td><td></td></tr> <tr><td></td><td>13</td><td>12</td><td></td><td></td><td>9</td><td>7</td><td></td><td></td><td></td><td></td><td></td><td></td><td></td></tr> </table>	56	55	54	53				49	48	47		45	44				40	39		37	36	35	34	33													20	19	18					13	12			9	7							
56	55	54	53				49	48	47		45	44																																																			
		40	39		37	36	35	34	33																																																						
								20	19	18																																																					
	13	12			9	7																																																									
AVAILABLE	NOT APPLICABLE	34576-4303	F	0	G	BLUE	<table border="1"> <tr><td>56</td><td>55</td><td>54</td><td>53</td><td></td><td>51</td><td></td><td>49</td><td>48</td><td>47</td><td></td><td>45</td><td>44</td><td></td></tr> <tr><td></td><td>41</td><td>40</td><td></td><td>38</td><td>37</td><td>36</td><td>35</td><td>34</td><td>33</td><td></td><td></td><td>30</td><td></td></tr> <tr><td></td><td></td><td>26</td><td>25</td><td>24</td><td></td><td>22</td><td>21</td><td>20</td><td>19</td><td></td><td>17</td><td></td><td></td></tr> <tr><td></td><td>13</td><td>12</td><td></td><td></td><td>9</td><td>7</td><td></td><td></td><td></td><td>4</td><td>3</td><td></td><td>1</td></tr> </table>	56	55	54	53		51		49	48	47		45	44			41	40		38	37	36	35	34	33			30				26	25	24		22	21	20	19		17				13	12			9	7				4	3		1
56	55	54	53		51		49	48	47		45	44																																																			
	41	40		38	37	36	35	34	33			30																																																			
		26	25	24		22	21	20	19		17																																																				
	13	12			9	7				4	3		1																																																		
SEE NEXT PAGE FOR ADDITIONAL NUMBERS																																																															

<b>QUALITY SYMBOLS</b> ▽ = 0 ▽ = 0 ▽ = 0 ▽ = 0 ▽ = 0 ▽ = 0 ▽ = 0 ▽ = 0 ▽ = 0	THIS DRAWING CONTAINS INFORMATION THAT IS PROPRIETARY TO MOLEX ELECTRONIC TECHNOLOGIES, LLC AND SHOULD NOT BE USED WITHOUT WRITTEN PERMISSION										
	2017/03/27	2017/03/30	GENERAL TOLERANCES (UNLESS SPECIFIED)		DIMENSION UNITS	SCALE	 MX123 18/49/56 CKT HRNS CONN ASSY				
	DRWN: TYE	CHKD: JDENG02	ANGULAR TOL ± °		MM	1:1					
	EC NO: 115012 DRWN: TYE CHKD: JDENG02 REV APPR:	4 PLACES ±		SKRAJENDRANA		DATE		PRODUCT CUSTOMER DRAWING SERIES: 34576 MATERIAL NUMBER: SEE BOM TABLE CUSTOMER: GENERAL MARKET DOCUMENT NUMBER: SD-34576-001 DOC TYPE: PSD DOC PART: 000 SHEET NUMBER: 7 OF 20			
		3 PLACES ±		SKRAJENDRANA		DATE					
		2 PLACES ±		SKRAJENDRANA		DATE					
		1 PLACE ±		SKRAJENDRANA		DATE					
		0 PLACES ±		SKRAJENDRANA		DATE					
	DRAFT WHERE APPLICABLE MUST REMAIN WITHIN DIMENSIONS		D		THIRD ANGLE PROJECTION						

STATUS	GM PART #	MATERIAL #	PART/MATERIAL REVISION	WIRE DRESS OPTION	KEY OPTION	COLOR (TPA)	NUMBERS INDICATE CAVITIES OPEN FOR CIRCUITS																																																								
AVAILABLE	NOT APPLICABLE	34576-4403	F	0	G	BLUE	<table border="1"> <tr><td>56</td><td>55</td><td>54</td><td>53</td><td></td><td></td><td></td><td>49</td><td>48</td><td>47</td><td>46</td><td></td><td>44</td><td></td></tr> <tr><td></td><td></td><td>40</td><td>39</td><td></td><td>37</td><td>36</td><td>35</td><td>34</td><td>33</td><td>32</td><td>31</td><td></td><td>29</td></tr> <tr><td></td><td></td><td></td><td>25</td><td></td><td></td><td></td><td></td><td>20</td><td>19</td><td>18</td><td></td><td></td><td>16</td></tr> <tr><td></td><td></td><td>12</td><td></td><td></td><td>9</td><td></td><td>7</td><td></td><td></td><td></td><td></td><td></td><td></td></tr> </table>	56	55	54	53				49	48	47	46		44				40	39		37	36	35	34	33	32	31		29				25					20	19	18			16			12			9		7						
56	55	54	53				49	48	47	46		44																																																			
		40	39		37	36	35	34	33	32	31		29																																																		
			25					20	19	18			16																																																		
		12			9		7																																																								
AVAILABLE	NOT APPLICABLE	34576-4503	F	0	G	BLUE	<table border="1"> <tr><td>56</td><td>55</td><td></td><td>53</td><td></td><td></td><td></td><td>49</td><td>48</td><td>47</td><td>46</td><td></td><td>44</td><td></td></tr> <tr><td></td><td></td><td>40</td><td>39</td><td></td><td>37</td><td>36</td><td>35</td><td>34</td><td>33</td><td>32</td><td>31</td><td></td><td>30</td></tr> <tr><td></td><td></td><td></td><td>25</td><td>24</td><td></td><td>22</td><td>21</td><td>20</td><td>19</td><td>18</td><td></td><td></td><td>16</td></tr> <tr><td></td><td>13</td><td>12</td><td></td><td></td><td>9</td><td></td><td>7</td><td></td><td></td><td>4</td><td></td><td>2</td><td>1</td></tr> </table>	56	55		53				49	48	47	46		44				40	39		37	36	35	34	33	32	31		30				25	24		22	21	20	19	18			16		13	12			9		7			4		2	1
56	55		53				49	48	47	46		44																																																			
		40	39		37	36	35	34	33	32	31		30																																																		
			25	24		22	21	20	19	18			16																																																		
	13	12			9		7			4		2	1																																																		
AVAILABLE	NOT APPLICABLE	34576-4603	F	0	G	BLUE	<table border="1"> <tr><td>56</td><td>55</td><td>54</td><td>53</td><td></td><td></td><td></td><td>49</td><td>48</td><td>47</td><td>46</td><td></td><td>44</td><td></td></tr> <tr><td></td><td></td><td>40</td><td>39</td><td></td><td>37</td><td>36</td><td>35</td><td>34</td><td>33</td><td>32</td><td>31</td><td></td><td>29</td></tr> <tr><td></td><td></td><td></td><td>25</td><td></td><td></td><td></td><td></td><td>20</td><td>19</td><td>18</td><td></td><td></td><td>16</td></tr> <tr><td></td><td>13</td><td>12</td><td></td><td></td><td>9</td><td></td><td>7</td><td></td><td></td><td></td><td></td><td></td><td></td></tr> </table>	56	55	54	53				49	48	47	46		44				40	39		37	36	35	34	33	32	31		29				25					20	19	18			16		13	12			9		7						
56	55	54	53				49	48	47	46		44																																																			
		40	39		37	36	35	34	33	32	31		29																																																		
			25					20	19	18			16																																																		
	13	12			9		7																																																								
AVAILABLE	NOT APPLICABLE	34576-4703	F	0	G	BLUE	<table border="1"> <tr><td>56</td><td>55</td><td></td><td>53</td><td></td><td>51</td><td></td><td>49</td><td>48</td><td>47</td><td></td><td></td><td>44</td><td></td></tr> <tr><td></td><td></td><td>40</td><td>39</td><td></td><td>37</td><td>36</td><td>35</td><td>34</td><td>33</td><td></td><td></td><td>30</td><td></td></tr> <tr><td></td><td></td><td></td><td>25</td><td></td><td></td><td>22</td><td>21</td><td>20</td><td>19</td><td>18</td><td></td><td>16</td><td>15</td></tr> <tr><td></td><td>13</td><td>12</td><td></td><td></td><td>9</td><td></td><td>7</td><td></td><td></td><td>4</td><td></td><td>2</td><td>1</td></tr> </table>	56	55		53		51		49	48	47			44				40	39		37	36	35	34	33			30					25			22	21	20	19	18		16	15		13	12			9		7			4		2	1
56	55		53		51		49	48	47			44																																																			
		40	39		37	36	35	34	33			30																																																			
			25			22	21	20	19	18		16	15																																																		
	13	12			9		7			4		2	1																																																		
AVAILABLE	NOT APPLICABLE	34576-4803	F	0	G	BLUE	<table border="1"> <tr><td></td><td>55</td><td></td><td>53</td><td></td><td>51</td><td></td><td>49</td><td>48</td><td>47</td><td></td><td></td><td>44</td><td></td></tr> <tr><td></td><td></td><td>40</td><td>39</td><td></td><td>37</td><td>36</td><td>35</td><td>34</td><td>33</td><td></td><td></td><td>29</td><td></td></tr> <tr><td></td><td></td><td></td><td>26</td><td></td><td></td><td></td><td></td><td>20</td><td>19</td><td>18</td><td></td><td>16</td><td>15</td></tr> <tr><td></td><td>13</td><td>12</td><td></td><td></td><td>9</td><td></td><td>7</td><td></td><td></td><td>4</td><td></td><td>2</td><td></td></tr> </table>		55		53		51		49	48	47			44				40	39		37	36	35	34	33			29					26					20	19	18		16	15		13	12			9		7			4		2	
	55		53		51		49	48	47			44																																																			
		40	39		37	36	35	34	33			29																																																			
			26					20	19	18		16	15																																																		
	13	12			9		7			4		2																																																			
ACTIVE	NOT APPLICABLE	34576-4903	F	9	G	BLUE	<table border="1"> <tr><td></td><td>55</td><td>54</td><td>53</td><td></td><td></td><td></td><td>49</td><td>48</td><td>47</td><td>46</td><td></td><td>44</td><td></td></tr> <tr><td></td><td></td><td>40</td><td></td><td></td><td>37</td><td>36</td><td>35</td><td>34</td><td>33</td><td>32</td><td>31</td><td></td><td></td></tr> <tr><td></td><td></td><td></td><td>26</td><td></td><td></td><td></td><td></td><td>20</td><td>19</td><td>18</td><td></td><td></td><td></td></tr> <tr><td></td><td>13</td><td>12</td><td></td><td></td><td>9</td><td></td><td>7</td><td></td><td></td><td></td><td></td><td></td><td></td></tr> </table>		55	54	53				49	48	47	46		44				40			37	36	35	34	33	32	31						26					20	19	18					13	12			9		7						
	55	54	53				49	48	47	46		44																																																			
		40			37	36	35	34	33	32	31																																																				
			26					20	19	18																																																					
	13	12			9		7																																																								
AVAILABLE	NOT APPLICABLE	34576-5003	F	0	G	BLUE	<table border="1"> <tr><td></td><td>55</td><td>54</td><td>53</td><td></td><td></td><td></td><td>49</td><td>48</td><td>47</td><td></td><td>45</td><td>44</td><td></td></tr> <tr><td></td><td></td><td>40</td><td></td><td></td><td>37</td><td>36</td><td>35</td><td>34</td><td>33</td><td></td><td></td><td></td><td></td></tr> <tr><td></td><td></td><td></td><td>26</td><td></td><td></td><td></td><td></td><td>20</td><td>19</td><td>18</td><td></td><td></td><td></td></tr> <tr><td></td><td>13</td><td>12</td><td></td><td></td><td>9</td><td></td><td>7</td><td></td><td></td><td></td><td></td><td></td><td></td></tr> </table>		55	54	53				49	48	47		45	44				40			37	36	35	34	33								26					20	19	18					13	12			9		7						
	55	54	53				49	48	47		45	44																																																			
		40			37	36	35	34	33																																																						
			26					20	19	18																																																					
	13	12			9		7																																																								
AVAILABLE	NOT APPLICABLE	34576-5103	F	0	G	BLUE	<table border="1"> <tr><td></td><td>55</td><td></td><td>53</td><td></td><td>51</td><td></td><td>49</td><td>48</td><td>47</td><td></td><td></td><td>44</td><td></td></tr> <tr><td></td><td></td><td>40</td><td></td><td></td><td>37</td><td>36</td><td>35</td><td>34</td><td>33</td><td></td><td></td><td>29</td><td></td></tr> <tr><td></td><td></td><td></td><td>26</td><td></td><td>24</td><td></td><td></td><td>20</td><td>19</td><td>18</td><td></td><td>16</td><td>15</td></tr> <tr><td></td><td>13</td><td>12</td><td></td><td></td><td>9</td><td></td><td>7</td><td></td><td></td><td>4</td><td></td><td>2</td><td></td></tr> </table>		55		53		51		49	48	47			44				40			37	36	35	34	33			29					26		24			20	19	18		16	15		13	12			9		7			4		2	
	55		53		51		49	48	47			44																																																			
		40			37	36	35	34	33			29																																																			
			26		24			20	19	18		16	15																																																		
	13	12			9		7			4		2																																																			

<b>QUALITY SYMBOLS</b> 	THIS DRAWING CONTAINS INFORMATION THAT IS PROPRIETARY TO MOLEX ELECTRONIC TECHNOLOGIES, LLC AND SHOULD NOT BE USED WITHOUT WRITTEN PERMISSION										
	EC NO: 115012 DRWN: TYE CHKD: REV APPR: JDENG02	GENERAL TOLERANCES (UNLESS SPECIFIED) ANGULAR TOL ± °		DIMENSION UNITS	SCALE	 MX123 18/49/56 CKT HRNS CONN ASSY PRODUCT CUSTOMER DRAWING					
		4 PLACES ± 3 PLACES ± 2 PLACES ± 1 PLACE ± 0 PLACES ±		MM	1:1						
	DRAFT WHERE APPLICABLE MUST REMAIN WITHIN DIMENSIONS		DRWN BY: SKRAJENDRANA DATE: 2011/01/25		CHKD BY: SKRAJENDRANA DATE: 2016/10/24		SERIES: 34576 MATERIAL NUMBER: SEE BOM TABLE CUSTOMER: GENERAL MARKET				
	DIMENSION UNITS: D THIRD ANGLE PROJECTION		APPR BY: SKRAJENDRANA DATE: 2016/10/24		DOCUMENT NUMBER: SD-34576-001 DOC TYPE: PSD DOC PART: 000 SHEET NUMBER: 8 OF 20						


STATUS	GM PART #	MATERIAL #	PART/MATERIAL REVISION	WIRE DRESS OPTION	KEY OPTION	COLOR (TPA)	NUMBERS INDICATE CAVITIES OPEN FOR CIRCUITS																																																				
AVAILABLE	NOT APPLICABLE	34576-5203	F	0	G	BLUE	<table border="1"> <tr><td>56</td><td>55</td><td>54</td><td>53</td><td></td><td></td><td>49</td><td>48</td><td>47</td><td></td><td></td><td>44</td></tr> <tr><td></td><td></td><td>40</td><td>39</td><td></td><td>37</td><td>36</td><td>35</td><td>34</td><td>33</td><td></td><td>29</td></tr> <tr><td></td><td></td><td></td><td></td><td></td><td></td><td></td><td></td><td>20</td><td>19</td><td>18</td><td></td></tr> <tr><td></td><td>13</td><td>12</td><td></td><td></td><td>9</td><td>7</td><td></td><td></td><td></td><td></td><td></td></tr> </table>	56	55	54	53			49	48	47			44			40	39		37	36	35	34	33		29									20	19	18			13	12			9	7									
56	55	54	53			49	48	47			44																																																
		40	39		37	36	35	34	33		29																																																
								20	19	18																																																	
	13	12			9	7																																																					
AVAILABLE	NOT APPLICABLE	34576-5403	F	0	G	BLUE	<table border="1"> <tr><td></td><td>55</td><td></td><td>53</td><td></td><td>51</td><td></td><td>49</td><td>48</td><td>47</td><td></td><td>44</td></tr> <tr><td></td><td></td><td>40</td><td>39</td><td></td><td>37</td><td>36</td><td>35</td><td>34</td><td>33</td><td></td><td>30</td></tr> <tr><td></td><td></td><td>26</td><td>25</td><td></td><td></td><td>22</td><td>21</td><td>20</td><td>19</td><td>18</td><td>16</td></tr> <tr><td></td><td>13</td><td>12</td><td></td><td></td><td>9</td><td>7</td><td></td><td></td><td>4</td><td>2</td><td>1</td></tr> </table>		55		53		51		49	48	47		44			40	39		37	36	35	34	33		30			26	25			22	21	20	19	18	16		13	12			9	7			4	2	1				
	55		53		51		49	48	47		44																																																
		40	39		37	36	35	34	33		30																																																
		26	25			22	21	20	19	18	16																																																
	13	12			9	7			4	2	1																																																
AVAILABLE	NOT APPLICABLE	34576-5503	F	0	G	BLUE	<table border="1"> <tr><td>56</td><td>55</td><td></td><td>53</td><td></td><td>51</td><td></td><td>49</td><td>48</td><td>47</td><td></td><td>44</td></tr> <tr><td></td><td></td><td>40</td><td>39</td><td></td><td>37</td><td>36</td><td>35</td><td>34</td><td>33</td><td></td><td>30</td></tr> <tr><td></td><td></td><td></td><td>25</td><td></td><td></td><td>22</td><td>21</td><td>20</td><td>19</td><td>18</td><td>16</td></tr> <tr><td></td><td>13</td><td>12</td><td></td><td></td><td>9</td><td>7</td><td></td><td></td><td>4</td><td>2</td><td>1</td></tr> </table>	56	55		53		51		49	48	47		44			40	39		37	36	35	34	33		30				25			22	21	20	19	18	16		13	12			9	7			4	2	1				
56	55		53		51		49	48	47		44																																																
		40	39		37	36	35	34	33		30																																																
			25			22	21	20	19	18	16																																																
	13	12			9	7			4	2	1																																																
AVAILABLE	NOT APPLICABLE	34576-5603	F	0	G	BLUE	<table border="1"> <tr><td>56</td><td>55</td><td></td><td>53</td><td></td><td></td><td></td><td>49</td><td>48</td><td>47</td><td>46</td><td>44</td></tr> <tr><td></td><td></td><td>40</td><td>39</td><td></td><td>37</td><td>36</td><td>35</td><td>34</td><td>33</td><td>32</td><td>31</td></tr> <tr><td></td><td></td><td></td><td>25</td><td></td><td></td><td>22</td><td>21</td><td>20</td><td>19</td><td>18</td><td>16</td></tr> <tr><td></td><td>13</td><td>12</td><td></td><td></td><td>9</td><td>7</td><td></td><td></td><td>4</td><td>2</td><td>1</td></tr> </table>	56	55		53				49	48	47	46	44			40	39		37	36	35	34	33	32	31				25			22	21	20	19	18	16		13	12			9	7			4	2	1				
56	55		53				49	48	47	46	44																																																
		40	39		37	36	35	34	33	32	31																																																
			25			22	21	20	19	18	16																																																
	13	12			9	7			4	2	1																																																
AVAILABLE	NOT APPLICABLE	34576-5703	F	0	G	BLUE	<table border="1"> <tr><td></td><td>55</td><td></td><td>53</td><td></td><td></td><td></td><td>49</td><td>48</td><td>47</td><td>46</td><td>44</td></tr> <tr><td></td><td></td><td>40</td><td>39</td><td></td><td>37</td><td>36</td><td>35</td><td>34</td><td>33</td><td>32</td><td>31</td></tr> <tr><td></td><td></td><td>26</td><td>25</td><td></td><td></td><td>22</td><td>21</td><td>20</td><td>19</td><td>18</td><td>16</td></tr> <tr><td></td><td>13</td><td>12</td><td></td><td></td><td>9</td><td>7</td><td></td><td></td><td>4</td><td>2</td><td>1</td></tr> </table>		55		53				49	48	47	46	44			40	39		37	36	35	34	33	32	31			26	25			22	21	20	19	18	16		13	12			9	7			4	2	1				
	55		53				49	48	47	46	44																																																
		40	39		37	36	35	34	33	32	31																																																
		26	25			22	21	20	19	18	16																																																
	13	12			9	7			4	2	1																																																
AVAILABLE	NOT APPLICABLE	34576-5803	F	0	G	BLUE	<table border="1"> <tr><td></td><td>55</td><td></td><td>53</td><td></td><td></td><td></td><td>49</td><td>48</td><td>47</td><td>46</td><td>45</td><td>44</td></tr> <tr><td></td><td></td><td>40</td><td>39</td><td></td><td>37</td><td>36</td><td>35</td><td>34</td><td>33</td><td></td><td></td><td></td></tr> <tr><td></td><td></td><td>26</td><td>25</td><td></td><td></td><td></td><td></td><td>20</td><td>19</td><td>18</td><td></td><td></td></tr> <tr><td></td><td>13</td><td>12</td><td></td><td></td><td>9</td><td>7</td><td></td><td></td><td></td><td></td><td></td><td></td></tr> </table>		55		53				49	48	47	46	45	44			40	39		37	36	35	34	33						26	25					20	19	18				13	12			9	7						
	55		53				49	48	47	46	45	44																																															
		40	39		37	36	35	34	33																																																		
		26	25					20	19	18																																																	
	13	12			9	7																																																					
AVAILABLE	NOT APPLICABLE	34576-5903	F	0	G	BLUE	<table border="1"> <tr><td>56</td><td></td><td></td><td>53</td><td>52</td><td></td><td></td><td></td><td></td><td>47</td><td></td><td>45</td><td>43</td></tr> <tr><td></td><td>41</td><td>40</td><td>39</td><td>38</td><td></td><td></td><td></td><td>34</td><td>33</td><td></td><td>31</td><td>30</td></tr> <tr><td>28</td><td>27</td><td>26</td><td>25</td><td>24</td><td></td><td></td><td></td><td>20</td><td>19</td><td>18</td><td></td><td>16</td></tr> <tr><td></td><td>13</td><td>12</td><td>11</td><td>10</td><td></td><td></td><td></td><td></td><td></td><td></td><td>3</td><td>2</td></tr> </table>	56			53	52					47		45	43		41	40	39	38				34	33		31	30	28	27	26	25	24				20	19	18		16		13	12	11	10							3	2
56			53	52					47		45	43																																															
	41	40	39	38				34	33		31	30																																															
28	27	26	25	24				20	19	18		16																																															
	13	12	11	10							3	2																																															
AVAILABLE	NOT APPLICABLE	34576-6003	F	0	G	BLUE	<table border="1"> <tr><td>56</td><td></td><td></td><td>53</td><td>52</td><td></td><td>50</td><td></td><td></td><td>47</td><td></td><td>45</td><td>43</td></tr> <tr><td></td><td></td><td>40</td><td>39</td><td>38</td><td></td><td></td><td></td><td>34</td><td>33</td><td></td><td>31</td><td>30</td></tr> <tr><td>28</td><td>27</td><td>26</td><td>25</td><td>24</td><td></td><td></td><td></td><td>20</td><td>19</td><td>18</td><td></td><td>16</td></tr> <tr><td>14</td><td>13</td><td>12</td><td>11</td><td>10</td><td></td><td></td><td></td><td></td><td>5</td><td>4</td><td>3</td><td>2</td></tr> </table>	56			53	52		50			47		45	43			40	39	38				34	33		31	30	28	27	26	25	24				20	19	18		16	14	13	12	11	10					5	4	3	2
56			53	52		50			47		45	43																																															
		40	39	38				34	33		31	30																																															
28	27	26	25	24				20	19	18		16																																															
14	13	12	11	10					5	4	3	2																																															
AVAILABLE	NOT APPLICABLE	34576-6103	F	0	G	BLUE	<table border="1"> <tr><td>56</td><td>55</td><td>54</td><td>53</td><td></td><td>51</td><td></td><td>49</td><td>48</td><td>47</td><td></td><td>44</td></tr> <tr><td></td><td></td><td>40</td><td>39</td><td></td><td>37</td><td>36</td><td>35</td><td>34</td><td>33</td><td></td><td>29</td></tr> <tr><td></td><td></td><td></td><td></td><td></td><td></td><td></td><td></td><td>20</td><td>19</td><td>18</td><td>16</td></tr> <tr><td></td><td>13</td><td>12</td><td></td><td></td><td>9</td><td>7</td><td></td><td></td><td>4</td><td>2</td><td>1</td></tr> </table>	56	55	54	53		51		49	48	47		44			40	39		37	36	35	34	33		29									20	19	18	16		13	12			9	7			4	2	1				
56	55	54	53		51		49	48	47		44																																																
		40	39		37	36	35	34	33		29																																																
								20	19	18	16																																																
	13	12			9	7			4	2	1																																																

<b>QUALITY SYMBOLS</b> 	THIS DRAWING CONTAINS INFORMATION THAT IS PROPRIETARY TO MOLEX ELECTRONIC TECHNOLOGIES, LLC AND SHOULD NOT BE USED WITHOUT WRITTEN PERMISSION												
	2017/03/27	2017/03/30	GENERAL TOLERANCES (UNLESS SPECIFIED)		DIMENSION UNITS	SCALE						<b>MX123</b> <b>18/49/56 CKT HRNS CONN ASSY</b>	
	EC NO: 115012 DRWN: TYE CHKD: REV APPR: JDENG02	ANGULAR TOL ± °		MM	2:1								
		4 PLACES ±	SKRAJENDRANA	2011/01/25									
		3 PLACES ±	CHKD BY	DATE									
		2 PLACES ±	APPR BY	DATE									
		1 PLACE ±	SKRAJENDRANA	2016/10/24									
	0 PLACES ±	DRAWING SIZE	THIRD ANGLE PROJECTION	SERIES: 34576 MATERIAL NUMBER: SEE BOM TABLE CUSTOMER: GENERAL MARKET									
	DRAFT WHERE APPLICABLE MUST REMAIN WITHIN DIMENSIONS		D	DOCUMENT NUMBER: SD-34576-001 DOC TYPE: PSD DOC PART: 000 SHEET NUMBER: 9 OF 20									

STATUS	GM PART #	MATERIAL #	PART/MATERIAL REVISION	WIRE DRESS OPTION	KEY OPTION Fp	COLOR (TPA) Fp	NUMBERS INDICATE CAVITIES OPEN FOR CIRCUITS Fp																																																				
AVAILABLE	NOT APPLICABLE	34576-6203	G	0	G	BLUE	<table border="1"> <tr><td></td><td>55</td><td>54</td><td>53</td><td></td><td></td><td></td><td>49</td><td>48</td><td>47</td><td>46</td><td>45</td><td>44</td></tr> <tr><td></td><td></td><td>40</td><td></td><td></td><td>37</td><td>36</td><td>35</td><td>34</td><td>33</td><td></td><td></td><td></td></tr> <tr><td></td><td></td><td>26</td><td></td><td></td><td></td><td></td><td></td><td>20</td><td>19</td><td>18</td><td></td><td></td></tr> <tr><td></td><td>13</td><td>12</td><td></td><td></td><td>9</td><td>7</td><td></td><td></td><td></td><td></td><td></td><td></td></tr> </table>		55	54	53				49	48	47	46	45	44			40			37	36	35	34	33						26						20	19	18				13	12			9	7						
	55	54	53				49	48	47	46	45	44																																															
		40			37	36	35	34	33																																																		
		26						20	19	18																																																	
	13	12			9	7																																																					
AVAILABLE	NOT APPLICABLE	34576-6303	G	0	G	BLUE	<table border="1"> <tr><td></td><td>55</td><td>54</td><td>53</td><td></td><td>51</td><td></td><td>49</td><td>48</td><td>47</td><td></td><td></td><td>44</td></tr> <tr><td></td><td></td><td>40</td><td>39</td><td></td><td>37</td><td>36</td><td>35</td><td>34</td><td>33</td><td></td><td></td><td>29</td></tr> <tr><td></td><td></td><td>26</td><td></td><td></td><td></td><td></td><td></td><td>20</td><td>19</td><td>18</td><td></td><td>15</td></tr> <tr><td></td><td>13</td><td>12</td><td></td><td></td><td>9</td><td>7</td><td></td><td></td><td></td><td>4</td><td></td><td>2</td></tr> </table>		55	54	53		51		49	48	47			44			40	39		37	36	35	34	33			29			26						20	19	18		15		13	12			9	7				4		2
	55	54	53		51		49	48	47			44																																															
		40	39		37	36	35	34	33			29																																															
		26						20	19	18		15																																															
	13	12			9	7				4		2																																															
AVAILABLE	NOT APPLICABLE	34576-6403	G	0	G	BLUE	<table border="1"> <tr><td></td><td>55</td><td>54</td><td></td><td></td><td></td><td></td><td>49</td><td>48</td><td>47</td><td></td><td></td><td>44</td></tr> <tr><td></td><td>41</td><td>40</td><td></td><td></td><td>37</td><td>36</td><td>35</td><td>34</td><td>33</td><td></td><td></td><td></td></tr> <tr><td></td><td></td><td></td><td></td><td></td><td></td><td></td><td></td><td>20</td><td>19</td><td>18</td><td></td><td></td></tr> <tr><td></td><td>13</td><td>12</td><td></td><td></td><td>9</td><td>8</td><td>7</td><td></td><td></td><td></td><td></td><td>3</td></tr> </table>		55	54					49	48	47			44		41	40			37	36	35	34	33												20	19	18				13	12			9	8	7					3
	55	54					49	48	47			44																																															
	41	40			37	36	35	34	33																																																		
								20	19	18																																																	
	13	12			9	8	7					3																																															
AVAILABLE	NOT APPLICABLE	34576-6503	G	0	G	BLUE	<table border="1"> <tr><td></td><td></td><td>54</td><td></td><td></td><td></td><td></td><td></td><td>47</td><td>46</td><td>45</td><td></td><td>43</td></tr> <tr><td></td><td>41</td><td>40</td><td>39</td><td>38</td><td>37</td><td></td><td></td><td>33</td><td>32</td><td>31</td><td>30</td><td>29</td></tr> <tr><td>28</td><td>27</td><td>26</td><td>25</td><td>24</td><td>23</td><td></td><td></td><td>20</td><td>19</td><td>18</td><td></td><td>16</td></tr> <tr><td></td><td>13</td><td>12</td><td>11</td><td>10</td><td>9</td><td></td><td></td><td></td><td></td><td></td><td>3</td><td>2</td></tr> </table>			54						47	46	45		43		41	40	39	38	37			33	32	31	30	29	28	27	26	25	24	23			20	19	18		16		13	12	11	10	9						3	2
		54						47	46	45		43																																															
	41	40	39	38	37			33	32	31	30	29																																															
28	27	26	25	24	23			20	19	18		16																																															
	13	12	11	10	9						3	2																																															
AVAILABLE	NOT APPLICABLE	34576-6603	G	0	G	BLUE	<table border="1"> <tr><td></td><td></td><td>54</td><td></td><td></td><td></td><td></td><td></td><td>47</td><td>46</td><td>45</td><td></td><td>43</td></tr> <tr><td></td><td>41</td><td>40</td><td>39</td><td>38</td><td>37</td><td></td><td>34</td><td>33</td><td>32</td><td>31</td><td>30</td><td>29</td></tr> <tr><td>28</td><td>27</td><td>26</td><td>25</td><td>24</td><td>23</td><td></td><td></td><td>20</td><td>19</td><td>18</td><td></td><td>16</td></tr> <tr><td></td><td>13</td><td>12</td><td>11</td><td>10</td><td>9</td><td></td><td></td><td></td><td></td><td></td><td>3</td><td>2</td></tr> </table>			54						47	46	45		43		41	40	39	38	37		34	33	32	31	30	29	28	27	26	25	24	23			20	19	18		16		13	12	11	10	9						3	2
		54						47	46	45		43																																															
	41	40	39	38	37		34	33	32	31	30	29																																															
28	27	26	25	24	23			20	19	18		16																																															
	13	12	11	10	9						3	2																																															
AVAILABLE	NOT APPLICABLE	34576-6703	G	0	G	BLUE	<table border="1"> <tr><td></td><td>55</td><td></td><td></td><td>52</td><td>51</td><td></td><td></td><td>48</td><td>46</td><td>45</td><td></td><td>43</td></tr> <tr><td></td><td>41</td><td>40</td><td>39</td><td>38</td><td></td><td></td><td></td><td>33</td><td>32</td><td>31</td><td>30</td><td>29</td></tr> <tr><td>28</td><td></td><td>26</td><td>25</td><td>24</td><td></td><td></td><td></td><td>20</td><td>19</td><td>18</td><td></td><td>16</td></tr> <tr><td></td><td>13</td><td>12</td><td>11</td><td>10</td><td></td><td></td><td></td><td></td><td></td><td></td><td>3</td><td>2</td></tr> </table>		55			52	51			48	46	45		43		41	40	39	38				33	32	31	30	29	28		26	25	24				20	19	18		16		13	12	11	10							3	2
	55			52	51			48	46	45		43																																															
	41	40	39	38				33	32	31	30	29																																															
28		26	25	24				20	19	18		16																																															
	13	12	11	10							3	2																																															
AVAILABLE	NOT APPLICABLE	34576-6803	G	0	G	BLUE	<table border="1"> <tr><td></td><td></td><td></td><td></td><td>52</td><td></td><td></td><td></td><td>48</td><td>46</td><td>45</td><td></td><td>43</td></tr> <tr><td></td><td>41</td><td>40</td><td>39</td><td>38</td><td></td><td></td><td></td><td>33</td><td>32</td><td>31</td><td>30</td><td>29</td></tr> <tr><td>28</td><td></td><td>26</td><td>25</td><td>24</td><td></td><td></td><td></td><td>20</td><td>19</td><td>18</td><td></td><td>16</td></tr> <tr><td></td><td>13</td><td>12</td><td>11</td><td>10</td><td></td><td></td><td></td><td></td><td></td><td></td><td>3</td><td>2</td></tr> </table>					52				48	46	45		43		41	40	39	38				33	32	31	30	29	28		26	25	24				20	19	18		16		13	12	11	10							3	2
				52				48	46	45		43																																															
	41	40	39	38				33	32	31	30	29																																															
28		26	25	24				20	19	18		16																																															
	13	12	11	10							3	2																																															
AVAILABLE	NOT APPLICABLE	34576-6813	G	0	G	BLUE	<table border="1"> <tr><td>56</td><td>55</td><td>54</td><td>53</td><td></td><td>51</td><td>50</td><td>49</td><td></td><td>47</td><td></td><td></td><td>44</td></tr> <tr><td>42</td><td></td><td></td><td>39</td><td></td><td>37</td><td>36</td><td>35</td><td>34</td><td></td><td></td><td></td><td></td></tr> <tr><td></td><td>27</td><td></td><td>25</td><td></td><td>23</td><td>22</td><td>21</td><td></td><td></td><td></td><td>17</td><td></td></tr> <tr><td>14</td><td></td><td></td><td>11</td><td></td><td>9</td><td>8</td><td>7</td><td>6</td><td>5</td><td>4</td><td></td><td></td></tr> </table>	56	55	54	53		51	50	49		47			44	42			39		37	36	35	34						27		25		23	22	21				17		14			11		9	8	7	6	5	4		
56	55	54	53		51	50	49		47			44																																															
42			39		37	36	35	34																																																			
	27		25		23	22	21				17																																																
14			11		9	8	7	6	5	4																																																	
AVAILABLE	NOT APPLICABLE	34576-6823	G	0	G	BLUE	<table border="1"> <tr><td>56</td><td></td><td>54</td><td>53</td><td></td><td></td><td>50</td><td>49</td><td></td><td>47</td><td></td><td></td><td>44</td></tr> <tr><td>42</td><td></td><td></td><td>39</td><td></td><td>37</td><td>36</td><td>35</td><td>34</td><td></td><td></td><td></td><td></td></tr> <tr><td></td><td>27</td><td></td><td>25</td><td></td><td>23</td><td>22</td><td>21</td><td></td><td></td><td></td><td>17</td><td></td></tr> <tr><td>14</td><td></td><td></td><td>11</td><td></td><td>9</td><td>8</td><td>7</td><td>6</td><td>5</td><td>4</td><td></td><td></td></tr> </table>	56		54	53			50	49		47			44	42			39		37	36	35	34						27		25		23	22	21				17		14			11		9	8	7	6	5	4		
56		54	53			50	49		47			44																																															
42			39		37	36	35	34																																																			
	27		25		23	22	21				17																																																
14			11		9	8	7	6	5	4																																																	

<b>QUALITY SYMBOLS</b> = 0 = 0 = 0 = 0 = 0 = 0 = 0 = 0	THIS DRAWING CONTAINS INFORMATION THAT IS PROPRIETARY TO MOLEX ELECTRONIC TECHNOLOGIES, LLC AND SHOULD NOT BE USED WITHOUT WRITTEN PERMISSION											
	2017/03/27	2017/03/30	GENERAL TOLERANCES (UNLESS SPECIFIED)		DIMENSION UNITS	SCALE						
	EC NO: 115012	DRWN: TYE	CHKD: JDENG02	REV: APPR: JDENG02	MM	1.5:1						
	ANGULAR TOL ± °		DRWN BY	DATE	SKRAJENDRANA		2011/01/25	<b>MX123</b> <b>18/49/56 CKT HRNS CONN ASSY</b>				
	4 PLACES ±	CHKD BY	DATE	SKRAJENDRANA		2016/10/24						
	3 PLACES ±	APPR BY		DATE	SKRAJENDRANA		2016/10/24	<b>PRODUCT CUSTOMER DRAWING</b>				
	2 PLACES ±	SKRAJENDRANA		2016/10/24	SERIES		MATERIAL NUMBER					CUSTOMER
	1 PLACE ±	DRAFT WHERE APPLICABLE MUST REMAIN WITHIN DIMENSIONS		DRAWING SIZE	THIRD ANGLE PROJECTION	34576	SEE BOM TABLE	GENERAL MARKET	<b>10 OF 20</b>			
	0 PLACES ±	D		DOCUMENT NUMBER	DOC TYPE	DOC PART	SHEET NUMBER					
		F74	3	PSD	000	10 OF 20						

STATUS	GM PART #	MATERIAL #	PART/MATERIAL REVISION	WIRE DRESS OPTION	KEY OPTION ▽ Fp	COLOR (TPA) ▽ Fp	NUMBERS INDICATE CAVITIES OPEN FOR CIRCUITS ▽ Fp																																																																																				
AVAILABLE	NOT APPLICABLE	34576-6833	G	0	G	BLUE	<table border="1"> <tr><td>56</td><td></td><td>54</td><td>53</td><td></td><td></td><td></td><td></td><td>50</td><td>49</td><td></td><td>47</td><td></td><td></td><td></td><td></td><td></td><td></td><td></td><td></td><td></td></tr> <tr><td></td><td></td><td></td><td></td><td></td><td></td><td></td><td></td><td></td><td></td><td></td><td></td><td></td><td></td><td>21</td><td></td><td></td><td></td><td></td><td>17</td><td></td></tr> <tr><td>14</td><td></td><td></td><td>11</td><td></td><td></td><td></td><td></td><td>9</td><td>8</td><td>7</td><td>6</td><td>5</td><td>4</td><td></td><td></td><td></td><td></td><td></td><td></td><td></td></tr> </table>	56		54	53					50	49		47																								21					17		14			11					9	8	7	6	5	4																												
56		54	53					50	49		47																																																																																
														21					17																																																																								
14			11					9	8	7	6	5	4																																																																														
AVAILABLE	NOT APPLICABLE	34576-6843	G	0	G	BLUE	<table border="1"> <tr><td>56</td><td></td><td>54</td><td>53</td><td>52</td><td></td><td></td><td></td><td></td><td></td><td></td><td>47</td><td>46</td><td>45</td><td></td><td>43</td><td></td><td></td><td></td><td></td><td></td></tr> <tr><td></td><td>41</td><td>40</td><td>39</td><td>38</td><td>37</td><td></td><td></td><td></td><td></td><td></td><td>33</td><td>32</td><td>31</td><td>30</td><td>29</td><td></td><td></td><td></td><td></td><td></td></tr> <tr><td>28</td><td>27</td><td>26</td><td>25</td><td>24</td><td>23</td><td></td><td></td><td></td><td></td><td>20</td><td>19</td><td>18</td><td></td><td>16</td><td></td><td></td><td></td><td></td><td></td><td></td></tr> <tr><td></td><td>13</td><td>12</td><td>11</td><td>10</td><td>9</td><td></td><td></td><td></td><td></td><td></td><td></td><td></td><td></td><td>3</td><td>2</td><td></td><td></td><td></td><td></td><td></td></tr> </table>	56		54	53	52							47	46	45		43							41	40	39	38	37						33	32	31	30	29						28	27	26	25	24	23					20	19	18		16								13	12	11	10	9									3	2					
56		54	53	52							47	46	45		43																																																																												
	41	40	39	38	37						33	32	31	30	29																																																																												
28	27	26	25	24	23					20	19	18		16																																																																													
	13	12	11	10	9									3	2																																																																												
AVAILABLE	NOT APPLICABLE	34576-6853	G	0	G	BLUE	<table border="1"> <tr><td>56</td><td></td><td>54</td><td>53</td><td>52</td><td></td><td></td><td></td><td></td><td></td><td></td><td>47</td><td>46</td><td>45</td><td></td><td>43</td><td></td><td></td><td></td><td></td><td></td></tr> <tr><td></td><td>41</td><td>40</td><td>39</td><td>38</td><td>37</td><td></td><td></td><td></td><td></td><td>34</td><td>33</td><td>32</td><td>31</td><td>30</td><td>29</td><td></td><td></td><td></td><td></td><td></td></tr> <tr><td>28</td><td>27</td><td>26</td><td>25</td><td>24</td><td>23</td><td></td><td></td><td></td><td></td><td>20</td><td>19</td><td>18</td><td></td><td>16</td><td></td><td></td><td></td><td></td><td></td><td></td></tr> <tr><td></td><td>13</td><td>12</td><td>11</td><td>10</td><td>9</td><td></td><td></td><td></td><td></td><td></td><td></td><td></td><td></td><td>3</td><td>2</td><td></td><td></td><td></td><td></td><td></td></tr> </table>	56		54	53	52							47	46	45		43							41	40	39	38	37					34	33	32	31	30	29						28	27	26	25	24	23					20	19	18		16								13	12	11	10	9									3	2					
56		54	53	52							47	46	45		43																																																																												
	41	40	39	38	37					34	33	32	31	30	29																																																																												
28	27	26	25	24	23					20	19	18		16																																																																													
	13	12	11	10	9									3	2																																																																												
AVAILABLE	NOT APPLICABLE	34576-6863	G	0	G	BLUE	<table border="1"> <tr><td></td><td>55</td><td></td><td></td><td>52</td><td>51</td><td></td><td></td><td></td><td></td><td>48</td><td></td><td>46</td><td>45</td><td></td><td>43</td><td></td><td></td><td></td><td></td><td></td></tr> <tr><td></td><td>41</td><td>40</td><td></td><td>38</td><td></td><td></td><td></td><td></td><td></td><td></td><td>33</td><td>32</td><td>31</td><td>30</td><td>29</td><td></td><td></td><td></td><td></td><td></td></tr> <tr><td>28</td><td></td><td>26</td><td></td><td>24</td><td></td><td></td><td></td><td></td><td></td><td>20</td><td>19</td><td>18</td><td></td><td>16</td><td>15</td><td></td><td></td><td></td><td></td><td></td></tr> <tr><td></td><td>13</td><td>12</td><td></td><td>10</td><td></td><td></td><td></td><td></td><td></td><td></td><td></td><td></td><td></td><td>3</td><td>2</td><td></td><td></td><td></td><td></td><td></td></tr> </table>		55			52	51					48		46	45		43							41	40		38							33	32	31	30	29						28		26		24						20	19	18		16	15							13	12		10										3	2					
	55			52	51					48		46	45		43																																																																												
	41	40		38							33	32	31	30	29																																																																												
28		26		24						20	19	18		16	15																																																																												
	13	12		10										3	2																																																																												
AVAILABLE	NOT APPLICABLE	34576-6873	G	0	G	BLUE	<table border="1"> <tr><td></td><td></td><td></td><td></td><td>52</td><td></td><td></td><td></td><td></td><td></td><td>48</td><td></td><td>46</td><td>45</td><td></td><td>43</td><td></td><td></td><td></td><td></td><td></td></tr> <tr><td></td><td>41</td><td>40</td><td></td><td>38</td><td></td><td></td><td></td><td></td><td></td><td></td><td>33</td><td>32</td><td>31</td><td>30</td><td>29</td><td></td><td></td><td></td><td></td><td></td></tr> <tr><td>28</td><td></td><td>26</td><td></td><td>24</td><td></td><td></td><td></td><td></td><td></td><td>20</td><td>19</td><td>18</td><td></td><td>16</td><td>15</td><td></td><td></td><td></td><td></td><td></td></tr> <tr><td></td><td>13</td><td>12</td><td></td><td>10</td><td></td><td></td><td></td><td></td><td></td><td></td><td></td><td></td><td></td><td>3</td><td>2</td><td></td><td></td><td></td><td></td><td></td></tr> </table>					52						48		46	45		43							41	40		38							33	32	31	30	29						28		26		24						20	19	18		16	15							13	12		10										3	2					
				52						48		46	45		43																																																																												
	41	40		38							33	32	31	30	29																																																																												
28		26		24						20	19	18		16	15																																																																												
	13	12		10										3	2																																																																												
AVAILABLE	NOT APPLICABLE	34576-6883	G	0	G	BLUE	<table border="1"> <tr><td>56</td><td></td><td>54</td><td></td><td>52</td><td></td><td></td><td></td><td></td><td></td><td></td><td>47</td><td>46</td><td>45</td><td></td><td>43</td><td></td><td></td><td></td><td></td><td></td></tr> <tr><td></td><td>41</td><td>40</td><td>39</td><td>38</td><td>37</td><td></td><td></td><td></td><td></td><td>34</td><td>33</td><td>32</td><td>31</td><td>30</td><td>29</td><td></td><td></td><td></td><td></td><td></td></tr> <tr><td>28</td><td>27</td><td>26</td><td>25</td><td>24</td><td>23</td><td></td><td></td><td></td><td></td><td>20</td><td>19</td><td>18</td><td></td><td>16</td><td></td><td></td><td></td><td></td><td></td><td></td></tr> <tr><td></td><td>13</td><td>12</td><td>11</td><td>10</td><td>9</td><td></td><td></td><td></td><td></td><td></td><td></td><td></td><td></td><td>3</td><td>2</td><td></td><td></td><td></td><td></td><td></td></tr> </table>	56		54		52							47	46	45		43							41	40	39	38	37					34	33	32	31	30	29						28	27	26	25	24	23					20	19	18		16								13	12	11	10	9									3	2					
56		54		52							47	46	45		43																																																																												
	41	40	39	38	37					34	33	32	31	30	29																																																																												
28	27	26	25	24	23					20	19	18		16																																																																													
	13	12	11	10	9									3	2																																																																												
AVAILABLE	NOT APPLICABLE	34576-6893	G	0	G	BLUE	<table border="1"> <tr><td></td><td></td><td>54</td><td>53</td><td></td><td></td><td></td><td></td><td></td><td></td><td></td><td>47</td><td>46</td><td>45</td><td></td><td></td><td></td><td></td><td></td><td></td><td></td></tr> <tr><td></td><td>41</td><td>40</td><td></td><td>38</td><td></td><td></td><td></td><td></td><td></td><td></td><td>33</td><td>32</td><td>31</td><td>30</td><td>29</td><td></td><td></td><td></td><td></td><td></td></tr> <tr><td>28</td><td>27</td><td>26</td><td>25</td><td>24</td><td></td><td></td><td></td><td></td><td></td><td>20</td><td>19</td><td>18</td><td></td><td>16</td><td></td><td></td><td></td><td></td><td></td><td></td></tr> <tr><td></td><td>13</td><td>12</td><td>11</td><td>10</td><td></td><td></td><td>8</td><td></td><td></td><td></td><td></td><td></td><td></td><td>3</td><td>2</td><td></td><td></td><td></td><td></td><td></td></tr> </table>			54	53								47	46	45									41	40		38							33	32	31	30	29						28	27	26	25	24						20	19	18		16								13	12	11	10			8							3	2					
		54	53								47	46	45																																																																														
	41	40		38							33	32	31	30	29																																																																												
28	27	26	25	24						20	19	18		16																																																																													
	13	12	11	10			8							3	2																																																																												
ACTIVE	NOT APPLICABLE	34576-6913	F	9	G	BLUE	<table border="1"> <tr><td></td><td></td><td>54</td><td>53</td><td></td><td></td><td></td><td></td><td></td><td></td><td></td><td>47</td><td>46</td><td>45</td><td></td><td>43</td><td></td><td></td><td></td><td></td><td></td></tr> <tr><td></td><td>41</td><td>40</td><td></td><td>38</td><td></td><td></td><td></td><td></td><td></td><td></td><td>33</td><td>32</td><td>31</td><td>30</td><td>29</td><td></td><td></td><td></td><td></td><td></td></tr> <tr><td>28</td><td>27</td><td>26</td><td>25</td><td>24</td><td></td><td></td><td></td><td></td><td></td><td>20</td><td>19</td><td>18</td><td></td><td>16</td><td></td><td></td><td></td><td></td><td></td><td></td></tr> <tr><td></td><td>13</td><td>12</td><td>11</td><td>10</td><td></td><td></td><td>8</td><td></td><td></td><td></td><td></td><td></td><td></td><td>3</td><td>2</td><td></td><td></td><td></td><td></td><td></td></tr> </table>			54	53								47	46	45		43							41	40		38							33	32	31	30	29						28	27	26	25	24						20	19	18		16								13	12	11	10			8							3	2					
		54	53								47	46	45		43																																																																												
	41	40		38							33	32	31	30	29																																																																												
28	27	26	25	24						20	19	18		16																																																																													
	13	12	11	10			8							3	2																																																																												
ACTIVE	NOT APPLICABLE	34576-6923	F	9	G	BLUE	<table border="1"> <tr><td></td><td></td><td>54</td><td>53</td><td></td><td></td><td></td><td></td><td></td><td></td><td></td><td>47</td><td>46</td><td>45</td><td></td><td>43</td><td></td><td></td><td></td><td></td><td></td></tr> <tr><td></td><td>41</td><td>40</td><td>39</td><td>38</td><td></td><td></td><td></td><td></td><td></td><td></td><td>33</td><td>32</td><td>31</td><td>30</td><td>29</td><td></td><td></td><td></td><td></td><td></td></tr> <tr><td>28</td><td>27</td><td>26</td><td>25</td><td>24</td><td>23</td><td></td><td></td><td></td><td></td><td>20</td><td>19</td><td>18</td><td></td><td>16</td><td></td><td></td><td></td><td></td><td></td><td></td></tr> <tr><td></td><td>13</td><td>12</td><td>11</td><td>10</td><td>9</td><td>8</td><td></td><td></td><td></td><td></td><td></td><td></td><td></td><td>3</td><td>2</td><td></td><td></td><td></td><td></td><td></td></tr> </table>			54	53								47	46	45		43							41	40	39	38							33	32	31	30	29						28	27	26	25	24	23					20	19	18		16								13	12	11	10	9	8								3	2					
		54	53								47	46	45		43																																																																												
	41	40	39	38							33	32	31	30	29																																																																												
28	27	26	25	24	23					20	19	18		16																																																																													
	13	12	11	10	9	8								3	2																																																																												

<b>QUALITY SYMBOLS</b> ▽ = 0 ▽ = 0 ▽ = 0 ▽ = 0 ▽ = 0 ▽ = 0 ▽ = 0 ▽ = 0 ▽ = 0 ▽ = 0	THIS DRAWING CONTAINS INFORMATION THAT IS PROPRIETARY TO MOLEX ELECTRONIC TECHNOLOGIES, LLC AND SHOULD NOT BE USED WITHOUT WRITTEN PERMISSION									
	2017/03/27	2017/03/30	GENERAL TOLERANCES (UNLESS SPECIFIED)		DIMENSION UNITS	SCALE	 MX123 18/49/56 CKT HRNS CONN ASSY			
	DRWN: TYE		ANGULAR TOL ± °		MM	1:1				
	REV: APPR: JDENG02		4 PLACES ±		DRWN BY DATE		PRODUCT CUSTOMER DRAWING			
			3 PLACES ±		SKRAJENDRANA 2011/01/25					
			2 PLACES ±		CHKD BY DATE		SERIES MATERIAL NUMBER CUSTOMER 34576 SEE BOM TABLE GENERAL MARKET			
			1 PLACE ±		APPR BY DATE					
			0 PLACES ±		SKRAJENDRANA 2016/10/24		DOCUMENT NUMBER DOC TYPE DOC PART SHEET NUMBER SD-34576-001 PSD 000 11 OF 20			
			DRAFT WHERE APPLICABLE MUST REMAIN WITHIN DIMENSIONS		DRAWING SIZE THIRD ANGLE PROJECTION					
					D					

STATUS	GM PART #	MATERIAL #	PART/ MATERIAL REVISION	WIRE DRESS OPTION	KEY OPTION Fp	COLOR (TPA) Fp	NUMBERS INDICATE CAVITIES OPEN FOR CIRCUITS Fp																																																															
TOOL DES. REL.	NOT APPLICABLE	34851-0025	A	0	G	BLUE																																																																
TOOL DES. REL.	NOT APPLICABLE	34851-0026	A	0	H	ST GRY																																																																
AVAILABLE	NOT APPLICABLE	34576-6933	G	0	G	BLUE	<table border="1"> <tr><td></td><td>55</td><td>54</td><td>53</td><td></td><td></td><td></td><td></td><td>49</td><td>48</td><td>47</td><td>46</td><td>45</td><td>44</td><td></td></tr> <tr><td></td><td>40</td><td></td><td></td><td></td><td>37</td><td>36</td><td>35</td><td>34</td><td>33</td><td></td><td></td><td>20</td><td>19</td><td>18</td></tr> <tr><td></td><td>26</td><td></td><td></td><td></td><td></td><td></td><td></td><td></td><td></td><td></td><td></td><td></td><td></td><td></td></tr> <tr><td>13</td><td>12</td><td></td><td></td><td></td><td>9</td><td>7</td><td></td><td></td><td></td><td></td><td></td><td></td><td></td><td></td></tr> </table>		55	54	53					49	48	47	46	45	44			40				37	36	35	34	33			20	19	18		26														13	12				9	7											
	55	54	53					49	48	47	46	45	44																																																									
	40				37	36	35	34	33			20	19	18																																																								
	26																																																																					
13	12				9	7																																																																
AVAILABLE	NOT APPLICABLE	34576-6943	G	0	G	BLUE	<table border="1"> <tr><td></td><td></td><td>54</td><td>53</td><td></td><td></td><td></td><td></td><td></td><td>47</td><td>46</td><td>45</td><td></td><td>43</td></tr> <tr><td>41</td><td>40</td><td></td><td>38</td><td></td><td></td><td></td><td></td><td></td><td>33</td><td>32</td><td>31</td><td>30</td><td>29</td></tr> <tr><td>28</td><td></td><td>26</td><td>25</td><td>24</td><td></td><td></td><td></td><td>20</td><td>19</td><td>18</td><td></td><td></td><td>16</td></tr> <tr><td>13</td><td>12</td><td>11</td><td>10</td><td></td><td></td><td>8</td><td></td><td></td><td></td><td></td><td>3</td><td>2</td><td></td></tr> </table>			54	53						47	46	45		43	41	40		38						33	32	31	30	29	28		26	25	24				20	19	18			16	13	12	11	10			8					3	2								
		54	53						47	46	45		43																																																									
41	40		38						33	32	31	30	29																																																									
28		26	25	24				20	19	18			16																																																									
13	12	11	10			8					3	2																																																										
AVAILABLE	NOT APPLICABLE	34576-6953	G	0	G	BLUE	<table border="1"> <tr><td></td><td></td><td>54</td><td>53</td><td></td><td></td><td></td><td></td><td></td><td>47</td><td>46</td><td>45</td><td></td><td>43</td></tr> <tr><td>41</td><td>40</td><td>39</td><td>38</td><td></td><td></td><td></td><td></td><td></td><td>33</td><td>32</td><td>31</td><td>30</td><td>29</td></tr> <tr><td>28</td><td>27</td><td>26</td><td>25</td><td>24</td><td>23</td><td></td><td></td><td>20</td><td>19</td><td>18</td><td></td><td></td><td>16</td></tr> <tr><td>13</td><td>12</td><td>11</td><td>10</td><td>9</td><td>8</td><td></td><td></td><td></td><td></td><td></td><td>3</td><td>2</td><td></td></tr> </table>			54	53						47	46	45		43	41	40	39	38						33	32	31	30	29	28	27	26	25	24	23			20	19	18			16	13	12	11	10	9	8						3	2								
		54	53						47	46	45		43																																																									
41	40	39	38						33	32	31	30	29																																																									
28	27	26	25	24	23			20	19	18			16																																																									
13	12	11	10	9	8						3	2																																																										
AVAILABLE	NOT APPLICABLE	34576-6963	G	0	G	BLUE	<table border="1"> <tr><td>56</td><td></td><td>54</td><td>53</td><td>52</td><td></td><td></td><td></td><td></td><td></td><td>47</td><td>46</td><td>45</td><td></td><td>43</td></tr> <tr><td>41</td><td>40</td><td>39</td><td>38</td><td></td><td></td><td></td><td></td><td></td><td>34</td><td>33</td><td>32</td><td>31</td><td>30</td><td>29</td></tr> <tr><td>28</td><td>27</td><td>26</td><td>25</td><td>24</td><td>23</td><td></td><td></td><td></td><td>20</td><td>19</td><td>18</td><td></td><td></td><td>16</td></tr> <tr><td>13</td><td>12</td><td>11</td><td>10</td><td>9</td><td>8</td><td></td><td></td><td></td><td></td><td></td><td></td><td>3</td><td>2</td><td></td></tr> </table>	56		54	53	52						47	46	45		43	41	40	39	38						34	33	32	31	30	29	28	27	26	25	24	23				20	19	18			16	13	12	11	10	9	8							3	2				
56		54	53	52						47	46	45		43																																																								
41	40	39	38						34	33	32	31	30	29																																																								
28	27	26	25	24	23				20	19	18			16																																																								
13	12	11	10	9	8							3	2																																																									
AVAILABLE	NOT APPLICABLE	34576-6973	G	0	G	BLUE	<table border="1"> <tr><td>56</td><td></td><td></td><td></td><td>52</td><td>51</td><td>50</td><td></td><td></td><td></td><td></td><td></td><td></td><td></td><td>43</td></tr> <tr><td>42</td><td>41</td><td></td><td>39</td><td>38</td><td></td><td></td><td></td><td></td><td></td><td></td><td></td><td>32</td><td>31</td><td>30</td><td>29</td></tr> <tr><td>28</td><td>27</td><td></td><td>25</td><td>24</td><td>23</td><td>22</td><td>21</td><td></td><td></td><td></td><td></td><td></td><td>17</td><td>16</td><td>15</td></tr> <tr><td>14</td><td></td><td></td><td>11</td><td>10</td><td></td><td>8</td><td></td><td>6</td><td>5</td><td>4</td><td>3</td><td>2</td><td>1</td><td></td><td></td></tr> </table>	56				52	51	50								43	42	41		39	38								32	31	30	29	28	27		25	24	23	22	21						17	16	15	14			11	10		8		6	5	4	3	2	1		
56				52	51	50								43																																																								
42	41		39	38								32	31	30	29																																																							
28	27		25	24	23	22	21						17	16	15																																																							
14			11	10		8		6	5	4	3	2	1																																																									
AVAILABLE	NOT APPLICABLE	34576-6983	G	0	G	BLUE	<table border="1"> <tr><td></td><td></td><td>54</td><td>53</td><td></td><td></td><td></td><td></td><td></td><td></td><td></td><td>46</td><td></td><td>44</td><td></td></tr> <tr><td></td><td></td><td>40</td><td>39</td><td>38</td><td>37</td><td>36</td><td></td><td></td><td></td><td></td><td>32</td><td>31</td><td>30</td><td></td></tr> <tr><td></td><td></td><td></td><td>25</td><td>24</td><td>23</td><td>22</td><td>21</td><td>20</td><td>19</td><td></td><td></td><td></td><td></td><td></td></tr> <tr><td></td><td></td><td></td><td>11</td><td>10</td><td>9</td><td>8</td><td>7</td><td>6</td><td>5</td><td>4</td><td></td><td></td><td>2</td><td></td></tr> </table>			54	53								46		44				40	39	38	37	36					32	31	30					25	24	23	22	21	20	19									11	10	9	8	7	6	5	4			2				
		54	53								46		44																																																									
		40	39	38	37	36					32	31	30																																																									
			25	24	23	22	21	20	19																																																													
			11	10	9	8	7	6	5	4			2																																																									
AVAILABLE	NOT APPLICABLE	34576-6993	G	0	G	BLUE	<table border="1"> <tr><td>56</td><td>55</td><td>54</td><td>53</td><td>52</td><td>51</td><td></td><td></td><td></td><td></td><td>47</td><td>46</td><td>45</td><td></td><td>43</td></tr> <tr><td>41</td><td>40</td><td></td><td>38</td><td></td><td></td><td></td><td></td><td></td><td></td><td>33</td><td>32</td><td>31</td><td>30</td><td>29</td></tr> <tr><td>28</td><td>27</td><td>26</td><td>25</td><td>24</td><td></td><td></td><td></td><td></td><td>20</td><td>19</td><td>18</td><td></td><td></td><td>16</td></tr> <tr><td>13</td><td>12</td><td>11</td><td>10</td><td></td><td></td><td>8</td><td></td><td></td><td></td><td></td><td></td><td>3</td><td>2</td><td></td></tr> </table>	56	55	54	53	52	51					47	46	45		43	41	40		38							33	32	31	30	29	28	27	26	25	24					20	19	18			16	13	12	11	10			8						3	2				
56	55	54	53	52	51					47	46	45		43																																																								
41	40		38							33	32	31	30	29																																																								
28	27	26	25	24					20	19	18			16																																																								
13	12	11	10			8						3	2																																																									

<b>QUALITY SYMBOLS</b> = 0 = 0 = 0 = 0 = 0 = 0 = 0 = 0 = 0 = 0	THIS DRAWING CONTAINS INFORMATION THAT IS PROPRIETARY TO MOLEX ELECTRONIC TECHNOLOGIES, LLC AND SHOULD NOT BE USED WITHOUT WRITTEN PERMISSION										
	2017/03/27	2017/03/30	GENERAL TOLERANCES (UNLESS SPECIFIED)		DIMENSION UNITS	SCALE					
	2017/03/27	2017/03/30	ANGULAR TOL ± °		MM	1:1					
	EC NO: 115012 DRWN: TYE CHKD: REV APPR: JDENG02	4 PLACES ±	SKRAJENDRANA		DATE	2011/01/25		<b>PRODUCT CUSTOMER DRAWING</b> MX123 18/49/56 CKT HRNS CONN ASSY SERIES: 34576 MATERIAL NUMBER: SEE BOM TABLE CUSTOMER: GENERAL MARKET DOCUMENT NUMBER: SD-34576-001 DOC TYPE: PSD DOC PART: 000 SHEET NUMBER: 12 OF 20			
		3 PLACES ±	SKRAJENDRANA		DATE	2016/10/24					
		2 PLACES ±	SKRAJENDRANA		DATE	2016/10/24					
		1 PLACE ±	SKRAJENDRANA		DATE	2016/10/24					
		0 PLACES ±	SKRAJENDRANA		DATE	2016/10/24					
	DRAFT WHERE APPLICABLE MUST REMAIN WITHIN DIMENSIONS		DRAWING SIZE	THIRD ANGLE PROJECTION							

STATUS	GM PART #	MATERIAL #	PART/MATERIAL REVISION	WIRE DRESS OPTION	KEY OPTION Fp	COLOR (TPA) Fp	NUMBERS INDICATE CAVITIES OPEN FOR CIRCUITS Fp																																																							
AVAILABLE	NOT APPLICABLE	34576-7003	G	0	G	BLUE	<table border="1"> <tr><td>56</td><td>55</td><td>54</td><td></td><td>52</td><td>51</td><td></td><td></td><td></td><td>47</td><td>46</td><td>45</td><td>43</td></tr> <tr><td></td><td>41</td><td>40</td><td></td><td>38</td><td></td><td></td><td></td><td></td><td>33</td><td>32</td><td>31</td><td>30</td><td>29</td></tr> <tr><td>28</td><td>27</td><td>26</td><td>25</td><td>24</td><td></td><td></td><td></td><td>20</td><td>19</td><td>18</td><td></td><td>16</td><td></td></tr> <tr><td></td><td>13</td><td>12</td><td>11</td><td>10</td><td></td><td>8</td><td></td><td></td><td></td><td></td><td>3</td><td>2</td><td></td></tr> </table>	56	55	54		52	51				47	46	45	43		41	40		38					33	32	31	30	29	28	27	26	25	24				20	19	18		16			13	12	11	10		8					3	2	
56	55	54		52	51				47	46	45	43																																																		
	41	40		38					33	32	31	30	29																																																	
28	27	26	25	24				20	19	18		16																																																		
	13	12	11	10		8					3	2																																																		
AVAILABLE	NOT APPLICABLE	34576-7013	G	0	G	BLUE	<table border="1"> <tr><td>56</td><td>55</td><td>54</td><td>53</td><td>52</td><td>51</td><td></td><td></td><td></td><td>47</td><td>46</td><td>45</td><td>43</td></tr> <tr><td></td><td>41</td><td>40</td><td></td><td>38</td><td></td><td></td><td></td><td>34</td><td>33</td><td>32</td><td>31</td><td>30</td><td>29</td></tr> <tr><td>28</td><td>27</td><td>26</td><td>25</td><td>24</td><td></td><td></td><td></td><td>20</td><td>19</td><td>18</td><td></td><td>16</td><td></td></tr> <tr><td></td><td>13</td><td></td><td>11</td><td>10</td><td></td><td>8</td><td></td><td></td><td></td><td></td><td>3</td><td>2</td><td></td></tr> </table>	56	55	54	53	52	51				47	46	45	43		41	40		38				34	33	32	31	30	29	28	27	26	25	24				20	19	18		16			13		11	10		8					3	2	
56	55	54	53	52	51				47	46	45	43																																																		
	41	40		38				34	33	32	31	30	29																																																	
28	27	26	25	24				20	19	18		16																																																		
	13		11	10		8					3	2																																																		
AVAILABLE	NOT APPLICABLE	34576-7023	G	0	G	BLUE	<table border="1"> <tr><td>56</td><td>55</td><td>54</td><td></td><td>52</td><td>51</td><td></td><td></td><td></td><td>47</td><td>46</td><td>45</td><td>43</td></tr> <tr><td></td><td>41</td><td>40</td><td></td><td>38</td><td></td><td></td><td></td><td>34</td><td>33</td><td>32</td><td>31</td><td>30</td><td>29</td></tr> <tr><td>28</td><td>27</td><td>26</td><td>25</td><td>24</td><td></td><td></td><td></td><td>20</td><td>19</td><td>18</td><td></td><td>16</td><td></td></tr> <tr><td></td><td>13</td><td>12</td><td>11</td><td>10</td><td></td><td>8</td><td></td><td></td><td></td><td></td><td>3</td><td>2</td><td></td></tr> </table>	56	55	54		52	51				47	46	45	43		41	40		38				34	33	32	31	30	29	28	27	26	25	24				20	19	18		16			13	12	11	10		8					3	2	
56	55	54		52	51				47	46	45	43																																																		
	41	40		38				34	33	32	31	30	29																																																	
28	27	26	25	24				20	19	18		16																																																		
	13	12	11	10		8					3	2																																																		
AVAILABLE	NOT APPLICABLE	34576-7033	G	0	G	BLUE	<table border="1"> <tr><td>56</td><td></td><td>54</td><td>53</td><td>52</td><td></td><td></td><td></td><td></td><td>47</td><td>46</td><td>45</td><td>43</td></tr> <tr><td></td><td>41</td><td>40</td><td></td><td>38</td><td></td><td></td><td></td><td></td><td>33</td><td>32</td><td>31</td><td>30</td><td>29</td></tr> <tr><td>28</td><td>27</td><td>26</td><td>25</td><td>24</td><td></td><td></td><td></td><td>20</td><td>19</td><td>18</td><td></td><td>16</td><td></td></tr> <tr><td></td><td>13</td><td>12</td><td>11</td><td>10</td><td></td><td>8</td><td></td><td></td><td></td><td></td><td>3</td><td>2</td><td></td></tr> </table>	56		54	53	52					47	46	45	43		41	40		38					33	32	31	30	29	28	27	26	25	24				20	19	18		16			13	12	11	10		8					3	2	
56		54	53	52					47	46	45	43																																																		
	41	40		38					33	32	31	30	29																																																	
28	27	26	25	24				20	19	18		16																																																		
	13	12	11	10		8					3	2																																																		
AVAILABLE	NOT APPLICABLE	34576-7043	G	0	G	BLUE	<table border="1"> <tr><td>56</td><td></td><td>54</td><td></td><td>52</td><td></td><td></td><td></td><td></td><td>47</td><td>46</td><td>45</td><td>43</td></tr> <tr><td></td><td>41</td><td>40</td><td></td><td>38</td><td></td><td></td><td></td><td></td><td>33</td><td>32</td><td>31</td><td>30</td><td>29</td></tr> <tr><td>28</td><td>27</td><td>26</td><td>25</td><td>24</td><td></td><td></td><td></td><td>20</td><td>19</td><td>18</td><td></td><td>16</td><td></td></tr> <tr><td></td><td>13</td><td>12</td><td>11</td><td>10</td><td></td><td>8</td><td></td><td></td><td></td><td></td><td>3</td><td>2</td><td></td></tr> </table>	56		54		52					47	46	45	43		41	40		38					33	32	31	30	29	28	27	26	25	24				20	19	18		16			13	12	11	10		8					3	2	
56		54		52					47	46	45	43																																																		
	41	40		38					33	32	31	30	29																																																	
28	27	26	25	24				20	19	18		16																																																		
	13	12	11	10		8					3	2																																																		
AVAILABLE	NOT APPLICABLE	34576-7053	G	0	G	BLUE	<table border="1"> <tr><td>56</td><td></td><td>54</td><td>53</td><td>52</td><td></td><td></td><td></td><td></td><td>47</td><td>46</td><td>45</td><td>43</td></tr> <tr><td></td><td>41</td><td>40</td><td></td><td>38</td><td></td><td></td><td></td><td>34</td><td>33</td><td>32</td><td>31</td><td>30</td><td>29</td></tr> <tr><td>28</td><td>27</td><td>26</td><td>25</td><td>24</td><td></td><td></td><td></td><td>20</td><td>19</td><td>18</td><td></td><td>16</td><td></td></tr> <tr><td></td><td>13</td><td>12</td><td>11</td><td>10</td><td></td><td>8</td><td></td><td></td><td></td><td></td><td>3</td><td>2</td><td></td></tr> </table>	56		54	53	52					47	46	45	43		41	40		38				34	33	32	31	30	29	28	27	26	25	24				20	19	18		16			13	12	11	10		8					3	2	
56		54	53	52					47	46	45	43																																																		
	41	40		38				34	33	32	31	30	29																																																	
28	27	26	25	24				20	19	18		16																																																		
	13	12	11	10		8					3	2																																																		
AVAILABLE	NOT APPLICABLE	34576-7063	G	0	G	BLUE	<table border="1"> <tr><td>56</td><td></td><td>54</td><td></td><td>52</td><td></td><td></td><td></td><td></td><td>47</td><td>46</td><td>45</td><td>43</td></tr> <tr><td></td><td>41</td><td>40</td><td></td><td>38</td><td></td><td></td><td></td><td>34</td><td>33</td><td>32</td><td>31</td><td>30</td><td>29</td></tr> <tr><td>28</td><td>27</td><td>26</td><td>25</td><td>24</td><td></td><td></td><td></td><td>20</td><td>19</td><td>18</td><td></td><td>16</td><td></td></tr> <tr><td></td><td>13</td><td>12</td><td>11</td><td>10</td><td></td><td>8</td><td></td><td></td><td></td><td></td><td>3</td><td>2</td><td></td></tr> </table>	56		54		52					47	46	45	43		41	40		38				34	33	32	31	30	29	28	27	26	25	24				20	19	18		16			13	12	11	10		8					3	2	
56		54		52					47	46	45	43																																																		
	41	40		38				34	33	32	31	30	29																																																	
28	27	26	25	24				20	19	18		16																																																		
	13	12	11	10		8					3	2																																																		
AVAILABLE	NOT APPLICABLE	34576-7073	G	0	G	BLUE	<table border="1"> <tr><td></td><td></td><td>54</td><td>53</td><td>52</td><td></td><td></td><td></td><td></td><td>47</td><td>46</td><td>45</td><td>43</td></tr> <tr><td></td><td>41</td><td>40</td><td></td><td>38</td><td></td><td></td><td></td><td></td><td>33</td><td>32</td><td>31</td><td>30</td><td>29</td></tr> <tr><td>28</td><td>27</td><td>26</td><td>25</td><td>24</td><td></td><td></td><td></td><td>20</td><td>19</td><td>18</td><td></td><td>16</td><td></td></tr> <tr><td></td><td>13</td><td>12</td><td>11</td><td>10</td><td></td><td>8</td><td></td><td></td><td></td><td></td><td>3</td><td>2</td><td></td></tr> </table>			54	53	52					47	46	45	43		41	40		38					33	32	31	30	29	28	27	26	25	24				20	19	18		16			13	12	11	10		8					3	2	
		54	53	52					47	46	45	43																																																		
	41	40		38					33	32	31	30	29																																																	
28	27	26	25	24				20	19	18		16																																																		
	13	12	11	10		8					3	2																																																		
AVAILABLE	NOT APPLICABLE	34576-7083	G	0	G	BLUE	<table border="1"> <tr><td></td><td></td><td>54</td><td>53</td><td>52</td><td></td><td></td><td></td><td></td><td>47</td><td>46</td><td>45</td><td>43</td></tr> <tr><td></td><td>41</td><td>40</td><td></td><td>38</td><td></td><td></td><td></td><td>34</td><td>33</td><td>32</td><td>31</td><td>30</td><td>29</td></tr> <tr><td>28</td><td>27</td><td>26</td><td>25</td><td>24</td><td></td><td></td><td></td><td>20</td><td>19</td><td>18</td><td></td><td>16</td><td></td></tr> <tr><td></td><td>13</td><td>12</td><td>11</td><td>10</td><td></td><td>8</td><td></td><td></td><td></td><td></td><td>3</td><td>2</td><td></td></tr> </table>			54	53	52					47	46	45	43		41	40		38				34	33	32	31	30	29	28	27	26	25	24				20	19	18		16			13	12	11	10		8					3	2	
		54	53	52					47	46	45	43																																																		
	41	40		38				34	33	32	31	30	29																																																	
28	27	26	25	24				20	19	18		16																																																		
	13	12	11	10		8					3	2																																																		


<b>QUALITY SYMBOLS</b> 	THIS DRAWING CONTAINS INFORMATION THAT IS PROPRIETARY TO MOLEX ELECTRONIC TECHNOLOGIES, LLC AND SHOULD NOT BE USED WITHOUT WRITTEN PERMISSION										
	2017/03/27 2017/03/30 EC NO: 115012 DRWN: TYE CHKD: REV APPR: JDENG02	GENERAL TOLERANCES (UNLESS SPECIFIED)		DIMENSION UNITS	SCALE	 MX123 18/49/56 CKT HRNS CONN ASSY PRODUCT CUSTOMER DRAWING					
		ANGULAR TOL ± °		MM	1:1						
		4 PLACES ±	DRWN BY	DATE							
		3 PLACES ±	SKRAJENDRANA	2011/01/25							
		2 PLACES ±	CHKD BY	DATE							
	1 PLACE ±	APPR BY	DATE								
	0 PLACES ±	SKRAJENDRANA	2016/10/24	SERIES	MATERIAL NUMBER	CUSTOMER					
	DRAFT WHERE APPLICABLE MUST REMAIN WITHIN DIMENSIONS		DRAWING SIZE	THIRD ANGLE PROJECTION	34576	SEE BOM TABLE	GENERAL MARKET				
			D		DOCUMENT NUMBER	DOC TYPE	DOC PART	SHEET NUMBER			
				SD-34576-001	PSD	000	13 OF 20				




STATUS	GM PART #	MATERIAL #	PART/MATERIAL REVISION	WIRE DRESS OPTION	KEY OPTION Fp	COLOR (TPA) Fp	NUMBERS INDICATE CAVITIES OPEN FOR CIRCUITS Fp																																																								
AVAILABLE	NOT APPLICABLE	34576-7093	G	0	G	BLUE	<table border="1"> <tr><td></td><td></td><td>54</td><td>53</td><td></td><td></td><td></td><td></td><td></td><td>47</td><td>46</td><td>45</td><td></td><td>43</td></tr> <tr><td></td><td>41</td><td>40</td><td></td><td>38</td><td></td><td></td><td></td><td></td><td>33</td><td>32</td><td>31</td><td>30</td><td>29</td></tr> <tr><td>28</td><td>27</td><td>26</td><td>25</td><td>24</td><td></td><td></td><td></td><td>20</td><td>19</td><td>18</td><td></td><td>16</td><td></td></tr> <tr><td></td><td>13</td><td>12</td><td>11</td><td>10</td><td></td><td>8</td><td></td><td></td><td></td><td></td><td>3</td><td>2</td><td></td></tr> </table>			54	53						47	46	45		43		41	40		38					33	32	31	30	29	28	27	26	25	24				20	19	18		16			13	12	11	10		8					3	2	
		54	53						47	46	45		43																																																		
	41	40		38					33	32	31	30	29																																																		
28	27	26	25	24				20	19	18		16																																																			
	13	12	11	10		8					3	2																																																			
AVAILABLE	NOT APPLICABLE	34576-7103	G	0	G	BLUE	<table border="1"> <tr><td>56</td><td>55</td><td></td><td></td><td>52</td><td>51</td><td>50</td><td>49</td><td>48</td><td>47</td><td></td><td>45</td><td></td><td>43</td></tr> <tr><td>42</td><td>41</td><td></td><td></td><td></td><td></td><td></td><td>35</td><td>34</td><td>33</td><td></td><td></td><td></td><td>29</td></tr> <tr><td>28</td><td>27</td><td>26</td><td></td><td></td><td></td><td></td><td></td><td></td><td></td><td>18</td><td>17</td><td>16</td><td>15</td></tr> <tr><td>14</td><td>13</td><td>12</td><td></td><td></td><td></td><td></td><td></td><td></td><td></td><td></td><td>3</td><td></td><td>1</td></tr> </table>	56	55			52	51	50	49	48	47		45		43	42	41						35	34	33				29	28	27	26								18	17	16	15	14	13	12									3		1
56	55			52	51	50	49	48	47		45		43																																																		
42	41						35	34	33				29																																																		
28	27	26								18	17	16	15																																																		
14	13	12									3		1																																																		
AVAILABLE	NOT APPLICABLE	34576-7113	G	0	G	BLUE	<table border="1"> <tr><td></td><td></td><td>54</td><td></td><td></td><td></td><td></td><td></td><td></td><td>47</td><td>46</td><td>45</td><td></td><td>43</td></tr> <tr><td></td><td>41</td><td>40</td><td></td><td>38</td><td></td><td></td><td></td><td></td><td>33</td><td>32</td><td>31</td><td>30</td><td>29</td></tr> <tr><td>28</td><td>27</td><td>26</td><td>25</td><td>24</td><td></td><td></td><td></td><td>20</td><td>19</td><td>18</td><td></td><td>16</td><td></td></tr> <tr><td></td><td>13</td><td>12</td><td>11</td><td>10</td><td></td><td>8</td><td></td><td></td><td></td><td></td><td>3</td><td>2</td><td></td></tr> </table>			54							47	46	45		43		41	40		38					33	32	31	30	29	28	27	26	25	24				20	19	18		16			13	12	11	10		8					3	2	
		54							47	46	45		43																																																		
	41	40		38					33	32	31	30	29																																																		
28	27	26	25	24				20	19	18		16																																																			
	13	12	11	10		8					3	2																																																			
AVAILABLE	NOT APPLICABLE	34576-7123	G	0	G	BLUE	<table border="1"> <tr><td>56</td><td>55</td><td></td><td></td><td>52</td><td>51</td><td>50</td><td>49</td><td>48</td><td>47</td><td></td><td>45</td><td></td><td>43</td></tr> <tr><td>42</td><td>41</td><td></td><td></td><td></td><td></td><td></td><td>35</td><td>34</td><td>33</td><td></td><td></td><td></td><td>29</td></tr> <tr><td>28</td><td>27</td><td>26</td><td></td><td></td><td></td><td></td><td></td><td></td><td></td><td>18</td><td></td><td>16</td><td>15</td></tr> <tr><td>14</td><td>13</td><td>12</td><td></td><td></td><td></td><td></td><td></td><td></td><td></td><td></td><td>3</td><td></td><td>1</td></tr> </table>	56	55			52	51	50	49	48	47		45		43	42	41						35	34	33				29	28	27	26								18		16	15	14	13	12									3		1
56	55			52	51	50	49	48	47		45		43																																																		
42	41						35	34	33				29																																																		
28	27	26								18		16	15																																																		
14	13	12									3		1																																																		
AVAILABLE	NOT APPLICABLE	34576-7133	G	9	G	BLUE	<table border="1"> <tr><td>56</td><td></td><td>54</td><td>53</td><td>52</td><td></td><td></td><td></td><td></td><td>47</td><td>46</td><td>45</td><td></td><td>43</td></tr> <tr><td></td><td>41</td><td>40</td><td>39</td><td>38</td><td></td><td></td><td></td><td>34</td><td>33</td><td>32</td><td>31</td><td>30</td><td>29</td></tr> <tr><td>28</td><td>27</td><td>26</td><td>25</td><td>24</td><td>23</td><td></td><td></td><td>20</td><td>19</td><td>18</td><td></td><td>16</td><td></td></tr> <tr><td></td><td>13</td><td>12</td><td>11</td><td>10</td><td>9</td><td>8</td><td></td><td></td><td></td><td></td><td>3</td><td>2</td><td></td></tr> </table>	56		54	53	52					47	46	45		43		41	40	39	38				34	33	32	31	30	29	28	27	26	25	24	23			20	19	18		16			13	12	11	10	9	8					3	2	
56		54	53	52					47	46	45		43																																																		
	41	40	39	38				34	33	32	31	30	29																																																		
28	27	26	25	24	23			20	19	18		16																																																			
	13	12	11	10	9	8					3	2																																																			
AVAILABLE	NOT APPLICABLE	34576-7143	G	9	G	BLUE	<table border="1"> <tr><td>56</td><td>55</td><td>54</td><td>53</td><td>52</td><td>51</td><td></td><td></td><td></td><td>47</td><td>46</td><td>45</td><td></td><td>43</td></tr> <tr><td></td><td>41</td><td>40</td><td></td><td>38</td><td></td><td></td><td></td><td>34</td><td>33</td><td>32</td><td>31</td><td>30</td><td>29</td></tr> <tr><td>28</td><td>27</td><td>26</td><td>25</td><td>24</td><td></td><td></td><td></td><td>20</td><td>19</td><td>18</td><td></td><td>16</td><td></td></tr> <tr><td></td><td>13</td><td>12</td><td>11</td><td>10</td><td></td><td>8</td><td></td><td></td><td></td><td></td><td>3</td><td>2</td><td></td></tr> </table>	56	55	54	53	52	51				47	46	45		43		41	40		38				34	33	32	31	30	29	28	27	26	25	24				20	19	18		16			13	12	11	10		8					3	2	
56	55	54	53	52	51				47	46	45		43																																																		
	41	40		38				34	33	32	31	30	29																																																		
28	27	26	25	24				20	19	18		16																																																			
	13	12	11	10		8					3	2																																																			
AVAILABLE	NOT APPLICABLE	34576-7153	G	9	G	BLUE	<table border="1"> <tr><td>56</td><td></td><td>54</td><td>53</td><td>52</td><td></td><td></td><td>49</td><td></td><td>47</td><td>46</td><td>45</td><td></td><td>43</td></tr> <tr><td></td><td>41</td><td>40</td><td>39</td><td>38</td><td></td><td></td><td></td><td>34</td><td>33</td><td>32</td><td>31</td><td>30</td><td>29</td></tr> <tr><td>28</td><td>27</td><td>26</td><td>25</td><td>24</td><td>23</td><td></td><td></td><td>20</td><td>19</td><td>18</td><td></td><td>16</td><td></td></tr> <tr><td></td><td>13</td><td>12</td><td>11</td><td>10</td><td>9</td><td>8</td><td></td><td></td><td></td><td></td><td>3</td><td>2</td><td></td></tr> </table>	56		54	53	52			49		47	46	45		43		41	40	39	38				34	33	32	31	30	29	28	27	26	25	24	23			20	19	18		16			13	12	11	10	9	8					3	2	
56		54	53	52			49		47	46	45		43																																																		
	41	40	39	38				34	33	32	31	30	29																																																		
28	27	26	25	24	23			20	19	18		16																																																			
	13	12	11	10	9	8					3	2																																																			
AVAILABLE	NOT APPLICABLE	34576-7163	G	0	G	BLUE	<table border="1"> <tr><td></td><td></td><td></td><td>53</td><td></td><td></td><td></td><td>49</td><td></td><td>47</td><td>46</td><td>45</td><td>44</td><td></td></tr> <tr><td></td><td></td><td>40</td><td></td><td></td><td>37</td><td>36</td><td>35</td><td></td><td>33</td><td></td><td></td><td></td><td></td></tr> <tr><td></td><td></td><td>26</td><td></td><td></td><td></td><td></td><td></td><td>20</td><td>19</td><td>18</td><td></td><td></td><td></td></tr> <tr><td></td><td>13</td><td>12</td><td></td><td></td><td>9</td><td></td><td>7</td><td></td><td></td><td></td><td></td><td></td><td></td></tr> </table>				53				49		47	46	45	44				40			37	36	35		33							26						20	19	18					13	12			9		7						
			53				49		47	46	45	44																																																			
		40			37	36	35		33																																																						
		26						20	19	18																																																					
	13	12			9		7																																																								
AVAILABLE	NOT APPLICABLE	34576-7173	G	9	G	BLUE	<table border="1"> <tr><td></td><td>55</td><td></td><td></td><td>52</td><td>51</td><td></td><td></td><td>48</td><td></td><td>46</td><td>45</td><td></td><td>43</td></tr> <tr><td></td><td>41</td><td>40</td><td></td><td>38</td><td></td><td></td><td></td><td></td><td>33</td><td>32</td><td>31</td><td>30</td><td>29</td></tr> <tr><td>28</td><td></td><td>26</td><td></td><td>24</td><td></td><td></td><td></td><td>20</td><td>19</td><td>18</td><td></td><td>16</td><td>15</td></tr> <tr><td></td><td>13</td><td>12</td><td></td><td>10</td><td></td><td></td><td></td><td></td><td></td><td></td><td>3</td><td>2</td><td>1</td></tr> </table>		55			52	51			48		46	45		43		41	40		38					33	32	31	30	29	28		26		24				20	19	18		16	15		13	12		10							3	2	1
	55			52	51			48		46	45		43																																																		
	41	40		38					33	32	31	30	29																																																		
28		26		24				20	19	18		16	15																																																		
	13	12		10							3	2	1																																																		

<b>QUALITY SYMBOLS</b> 	THIS DRAWING CONTAINS INFORMATION THAT IS PROPRIETARY TO MOLEX ELECTRONIC TECHNOLOGIES, LLC AND SHOULD NOT BE USED WITHOUT WRITTEN PERMISSION									
	2017/03/27	2017/03/30	GENERAL TOLERANCES (UNLESS SPECIFIED)		DIMENSION UNITS	SCALE				
	EC NO: 115012 DRWN: TYE CHKD: REV APPR: JDENG02	ANGULAR TOL ± °		MM	1:1					
		4 PLACES ±	SKRAJENDRANA	DATE	2011/01/25					
		3 PLACES ±	CHKD BY	DATE						
		2 PLACES ±	APPR BY	DATE						
		1 PLACE ±	SKRAJENDRANA	DATE	2016/10/24					
	0 PLACES ±	DRAFT WHERE APPLICABLE MUST REMAIN WITHIN DIMENSIONS		D	THIRD ANGLE PROJECTION	SERIES: 34576 MATERIAL NUMBER: SEE BOM TABLE CUSTOMER: GENERAL MARKET				
	DOCUMENT NUMBER: SD-34576-001		DOC TYPE: PSD	DOC PART: 000	SHEET NUMBER: 14 OF 20					

STATUS	GM PART #	MATERIAL #	PART/MATERIAL REVISION	WIRE DRESS OPTION	KEY OPTION Fp	COLOR (TPA) Fp	NUMBERS INDICATE CAVITIES OPEN FOR CIRCUITS Fp																																																																											
AVAILABLE	NOT APPLICABLE	34576-7183	G	0	G	BLUE	<table border="1"> <tr><td>56</td><td>55</td><td></td><td>53</td><td></td><td></td><td>49</td><td>48</td><td>47</td><td>46</td><td>44</td><td></td></tr> <tr><td></td><td></td><td>40</td><td>39</td><td></td><td>37</td><td>36</td><td>35</td><td>34</td><td>33</td><td>32</td><td>31</td><td>30</td></tr> <tr><td></td><td></td><td></td><td>25</td><td>24</td><td></td><td>22</td><td>21</td><td>20</td><td>19</td><td>18</td><td></td><td>16</td></tr> <tr><td></td><td></td><td>13</td><td>12</td><td></td><td></td><td>9</td><td>7</td><td></td><td></td><td>4</td><td></td><td>2</td><td>1</td></tr> </table>	56	55		53			49	48	47	46	44				40	39		37	36	35	34	33	32	31	30				25	24		22	21	20	19	18		16			13	12			9	7			4		2	1																							
56	55		53			49	48	47	46	44																																																																								
		40	39		37	36	35	34	33	32	31	30																																																																						
			25	24		22	21	20	19	18		16																																																																						
		13	12			9	7			4		2	1																																																																					
AVAILABLE	NOT APPLICABLE	34576-7193	G	9	G	BLUE	<table border="1"> <tr><td>56</td><td></td><td>54</td><td>53</td><td>52</td><td></td><td></td><td></td><td></td><td>47</td><td>46</td><td>45</td><td>43</td></tr> <tr><td></td><td>41</td><td>40</td><td></td><td>38</td><td></td><td></td><td></td><td>34</td><td>33</td><td>32</td><td>31</td><td>30</td><td>29</td></tr> <tr><td>28</td><td>27</td><td>26</td><td></td><td>24</td><td></td><td></td><td></td><td>20</td><td>19</td><td>18</td><td></td><td>16</td><td></td></tr> <tr><td></td><td>13</td><td>12</td><td></td><td>10</td><td></td><td></td><td></td><td></td><td></td><td></td><td>3</td><td>2</td><td></td></tr> </table>	56		54	53	52					47	46	45	43		41	40		38				34	33	32	31	30	29	28	27	26		24				20	19	18		16			13	12		10							3	2																					
56		54	53	52					47	46	45	43																																																																						
	41	40		38				34	33	32	31	30	29																																																																					
28	27	26		24				20	19	18		16																																																																						
	13	12		10							3	2																																																																						
AVAILABLE	NOT APPLICABLE	34576-7203	G	0	G	BLUE	<table border="1"> <tr><td>56</td><td>55</td><td>54</td><td>53</td><td>52</td><td>51</td><td></td><td></td><td></td><td>47</td><td>46</td><td>45</td><td>43</td></tr> <tr><td></td><td>41</td><td>40</td><td></td><td>38</td><td></td><td></td><td></td><td>34</td><td>33</td><td>32</td><td>31</td><td>30</td><td>29</td></tr> <tr><td>28</td><td>27</td><td>26</td><td>25</td><td>24</td><td></td><td></td><td></td><td>20</td><td>19</td><td>18</td><td></td><td>16</td><td></td></tr> <tr><td></td><td>13</td><td>12</td><td>11</td><td>10</td><td></td><td>8</td><td></td><td></td><td></td><td></td><td>3</td><td>2</td><td></td></tr> </table>	56	55	54	53	52	51				47	46	45	43		41	40		38				34	33	32	31	30	29	28	27	26	25	24				20	19	18		16			13	12	11	10		8					3	2																					
56	55	54	53	52	51				47	46	45	43																																																																						
	41	40		38				34	33	32	31	30	29																																																																					
28	27	26	25	24				20	19	18		16																																																																						
	13	12	11	10		8					3	2																																																																						
AVAILABLE	NOT APPLICABLE	34576-7213	G	0	G	BLUE	<table border="1"> <tr><td>56</td><td>55</td><td></td><td></td><td>52</td><td>51</td><td>50</td><td>49</td><td>48</td><td>47</td><td>46</td><td>45</td><td>43</td></tr> <tr><td>42</td><td>41</td><td></td><td></td><td></td><td></td><td></td><td>35</td><td>34</td><td>33</td><td></td><td>31</td><td>29</td></tr> <tr><td>28</td><td>27</td><td>26</td><td></td><td></td><td></td><td></td><td>21</td><td></td><td>19</td><td>18</td><td></td><td>16</td><td>15</td></tr> <tr><td>14</td><td>13</td><td>12</td><td></td><td></td><td></td><td></td><td></td><td></td><td></td><td>4</td><td>3</td><td></td><td>1</td></tr> </table>	56	55			52	51	50	49	48	47	46	45	43	42	41						35	34	33		31	29	28	27	26					21		19	18		16	15	14	13	12								4	3		1																					
56	55			52	51	50	49	48	47	46	45	43																																																																						
42	41						35	34	33		31	29																																																																						
28	27	26					21		19	18		16	15																																																																					
14	13	12								4	3		1																																																																					
AVAILABLE	NOT APPLICABLE	34576-7223	G	0	G	BLUE	<table border="1"> <tr><td></td><td></td><td>54</td><td>53</td><td></td><td></td><td></td><td></td><td></td><td>47</td><td>46</td><td>45</td><td>43</td></tr> <tr><td></td><td>41</td><td>40</td><td>39</td><td>38</td><td></td><td></td><td></td><td>34</td><td>33</td><td></td><td>31</td><td>30</td><td>29</td></tr> <tr><td>28</td><td>27</td><td>26</td><td>25</td><td>24</td><td></td><td></td><td>21</td><td></td><td>19</td><td>18</td><td></td><td>16</td><td></td></tr> <tr><td></td><td>13</td><td>12</td><td>11</td><td>10</td><td></td><td></td><td></td><td>6</td><td></td><td></td><td>3</td><td>2</td><td></td></tr> </table>			54	53						47	46	45	43		41	40	39	38				34	33		31	30	29	28	27	26	25	24			21		19	18		16			13	12	11	10				6			3	2																					
		54	53						47	46	45	43																																																																						
	41	40	39	38				34	33		31	30	29																																																																					
28	27	26	25	24			21		19	18		16																																																																						
	13	12	11	10				6			3	2																																																																						
AVAILABLE	NOT APPLICABLE	34576-7233	G	0	G	BLUE	<table border="1"> <tr><td></td><td></td><td></td><td></td><td></td><td></td><td></td><td></td><td></td><td></td><td>46</td><td>45</td><td></td></tr> <tr><td></td><td></td><td></td><td></td><td></td><td></td><td></td><td></td><td></td><td>33</td><td></td><td></td><td></td></tr> <tr><td></td><td></td><td></td><td></td><td></td><td></td><td></td><td>21</td><td></td><td></td><td>18</td><td>17</td><td></td></tr> <tr><td></td><td></td><td></td><td></td><td></td><td></td><td></td><td></td><td></td><td></td><td></td><td>3</td><td></td></tr> </table>											46	45											33											21			18	17													3																								
										46	45																																																																							
									33																																																																									
							21			18	17																																																																							
											3																																																																							
AVAILABLE	NOT APPLICABLE	34576-7243	G	0	G	BLUE	<table border="1"> <tr><td></td><td></td><td>54</td><td>53</td><td></td><td></td><td></td><td></td><td></td><td>47</td><td></td><td>45</td><td>43</td></tr> <tr><td></td><td>41</td><td>40</td><td>39</td><td>38</td><td></td><td></td><td></td><td>34</td><td>33</td><td></td><td>31</td><td>30</td><td>29</td></tr> <tr><td>28</td><td>27</td><td>26</td><td>25</td><td>24</td><td></td><td></td><td></td><td>20</td><td>19</td><td>18</td><td></td><td>16</td><td></td></tr> <tr><td></td><td>13</td><td>12</td><td>11</td><td>10</td><td></td><td></td><td></td><td></td><td></td><td></td><td>3</td><td>2</td><td></td></tr> </table>			54	53						47		45	43		41	40	39	38				34	33		31	30	29	28	27	26	25	24				20	19	18		16			13	12	11	10							3	2																					
		54	53						47		45	43																																																																						
	41	40	39	38				34	33		31	30	29																																																																					
28	27	26	25	24				20	19	18		16																																																																						
	13	12	11	10							3	2																																																																						
NOT VALIDATED	NOT APPLICABLE	34851-0027	A	0	G	BLUE	<table border="1"> <tr><td>18</td><td></td><td></td><td></td><td></td><td></td><td></td><td></td><td></td><td></td><td></td><td></td><td></td><td>1</td></tr> <tr><td></td><td></td><td></td><td></td><td></td><td></td><td></td><td>9</td><td></td><td>7</td><td>6</td><td></td><td></td><td></td></tr> <tr><td></td><td></td><td></td><td></td><td></td><td></td><td></td><td>5</td><td></td><td>3</td><td>2</td><td></td><td></td><td></td></tr> </table>	18													1								9		7	6											5		3	2																																				
18													1																																																																					
							9		7	6																																																																								
							5		3	2																																																																								
NOT VALIDATED	NOT APPLICABLE	34851-0028	A	0	H	ST GRY	<table border="1"> <tr><td>18</td><td></td><td></td><td></td><td></td><td></td><td></td><td></td><td></td><td></td><td></td><td></td><td></td><td></td><td>1</td></tr> <tr><td></td><td></td><td></td><td></td><td></td><td></td><td></td><td></td><td>17</td><td>16</td><td>15</td><td>14</td><td></td><td></td><td></td></tr> <tr><td></td><td></td><td></td><td></td><td></td><td></td><td></td><td></td><td></td><td></td><td></td><td></td><td>10</td><td></td><td></td></tr> <tr><td></td><td></td><td></td><td></td><td></td><td></td><td></td><td></td><td></td><td></td><td></td><td></td><td></td><td>6</td><td></td></tr> <tr><td></td><td></td><td></td><td></td><td></td><td></td><td></td><td></td><td>5</td><td>4</td><td>3</td><td>2</td><td></td><td></td><td></td></tr> </table>	18														1									17	16	15	14																10																6										5	4	3	2			
18														1																																																																				
								17	16	15	14																																																																							
												10																																																																						
													6																																																																					
								5	4	3	2																																																																							

<b>QUALITY SYMBOLS</b> Fp = 0 Cp = 0 Fp = 0 Cp = 0 Fp = 0 Cp = 0 Fp = 0 Cp = 0 Fp = 0 Cp = 0 Fp = 0 Cp = 0	THIS DRAWING CONTAINS INFORMATION THAT IS PROPRIETARY TO MOLEX ELECTRONIC TECHNOLOGIES, LLC AND SHOULD NOT BE USED WITHOUT WRITTEN PERMISSION		DIMENSION UNITS <b>MM</b>		SCALE <b>1:1</b>		 <b>MX123</b> 18/49/56 CKT HRNS CONN ASSY
	DRWN BY: 2017/03/27 CHKD: 2017/03/30 EC NO: 115012 DRWN: TYE CHKD: JDENG02 REV APPR:	GENERAL TOLERANCES (UNLESS SPECIFIED) ANGULAR TOL ± ° 4 PLACES ± 3 PLACES ± 2 PLACES ± 1 PLACE ± 0 PLACES ±		DRWN BY: SKRAJENDRANA DATE: 2011/01/25 CHKD BY: SKRAJENDRANA DATE: 2016/10/24		APPR BY: SKRAJENDRANA DATE: 2016/10/24	
DRAFT WHERE APPLICABLE MUST REMAIN WITHIN DIMENSIONS			DRAUGHTING STANDARD: D		THIRD ANGLE PROJECTION		DOCUMENT NUMBER: SD-34576-001 DOC TYPE: PSD DOC PART: 000 SHEET NUMBER: 15 OF 20

STATUS	GM PART #	MATERIAL #	PART/MATERIAL REVISION	WIRE DRESS OPTION	KEY OPTION Fp	COLOR (TPA) Fp	NUMBERS INDICATE CAVITIES OPEN FOR CIRCUITS Fp																																																												
AVAILABLE	NOT APPLICABLE	34576-7253	G	0	G	BLUE	<table border="1"> <tr><td>56</td><td></td><td>54</td><td>53</td><td>52</td><td></td><td></td><td></td><td>47</td><td>46</td><td>45</td><td></td><td>43</td></tr> <tr><td></td><td>41</td><td>40</td><td>39</td><td>38</td><td></td><td></td><td></td><td></td><td>33</td><td>32</td><td>31</td><td>30</td><td>29</td></tr> <tr><td>28</td><td>27</td><td>26</td><td>25</td><td>24</td><td>23</td><td></td><td></td><td>20</td><td>19</td><td>18</td><td></td><td>16</td><td></td></tr> <tr><td></td><td>13</td><td>12</td><td>11</td><td>10</td><td>9</td><td>8</td><td></td><td></td><td></td><td></td><td>3</td><td>2</td><td></td></tr> </table>	56		54	53	52				47	46	45		43		41	40	39	38					33	32	31	30	29	28	27	26	25	24	23			20	19	18		16			13	12	11	10	9	8					3	2						
56		54	53	52				47	46	45		43																																																							
	41	40	39	38					33	32	31	30	29																																																						
28	27	26	25	24	23			20	19	18		16																																																							
	13	12	11	10	9	8					3	2																																																							
AVAILABLE	NOT APPLICABLE	34576-7263	G	0	G	BLUE	<table border="1"> <tr><td>56</td><td>55</td><td>54</td><td>53</td><td>52</td><td>51</td><td>50</td><td></td><td></td><td></td><td></td><td></td><td>45</td><td>43</td></tr> <tr><td>42</td><td>41</td><td>40</td><td>39</td><td></td><td></td><td></td><td></td><td>35</td><td>34</td><td>33</td><td></td><td></td><td></td></tr> <tr><td>28</td><td>27</td><td></td><td></td><td></td><td></td><td></td><td></td><td></td><td></td><td></td><td></td><td>18</td><td>16</td></tr> <tr><td>14</td><td>13</td><td></td><td></td><td></td><td></td><td></td><td></td><td></td><td></td><td></td><td></td><td>3</td><td>2</td></tr> </table>	56	55	54	53	52	51	50						45	43	42	41	40	39					35	34	33				28	27											18	16	14	13											3	2				
56	55	54	53	52	51	50						45	43																																																						
42	41	40	39					35	34	33																																																									
28	27											18	16																																																						
14	13											3	2																																																						
AVAILABLE	NOT APPLICABLE	34576-7273	G	0	G	BLUE	<table border="1"> <tr><td>56</td><td>55</td><td>54</td><td>53</td><td>52</td><td>51</td><td>50</td><td></td><td></td><td></td><td></td><td></td><td>45</td><td></td></tr> <tr><td>42</td><td>41</td><td>40</td><td>39</td><td></td><td></td><td></td><td></td><td>35</td><td>34</td><td>33</td><td></td><td></td><td></td></tr> <tr><td>28</td><td>27</td><td></td><td></td><td></td><td></td><td></td><td></td><td></td><td></td><td></td><td></td><td>18</td><td>16</td></tr> <tr><td>14</td><td>13</td><td></td><td></td><td></td><td></td><td></td><td></td><td></td><td></td><td></td><td></td><td>3</td><td>2</td></tr> </table>	56	55	54	53	52	51	50						45		42	41	40	39					35	34	33				28	27											18	16	14	13											3	2				
56	55	54	53	52	51	50						45																																																							
42	41	40	39					35	34	33																																																									
28	27											18	16																																																						
14	13											3	2																																																						
AVAILABLE	NOT APPLICABLE	34576-7283	G	0	G	BLUE	<table border="1"> <tr><td></td><td></td><td>54</td><td>53</td><td></td><td></td><td></td><td></td><td></td><td>47</td><td>46</td><td>45</td><td></td><td>43</td></tr> <tr><td></td><td>41</td><td>40</td><td></td><td>38</td><td></td><td></td><td></td><td></td><td>34</td><td>33</td><td>32</td><td>31</td><td>30</td><td>29</td></tr> <tr><td>28</td><td>27</td><td>26</td><td>25</td><td>24</td><td></td><td></td><td></td><td>20</td><td>19</td><td>18</td><td></td><td>16</td><td></td></tr> <tr><td></td><td>13</td><td>12</td><td>11</td><td>10</td><td></td><td>8</td><td></td><td>6</td><td></td><td></td><td></td><td>3</td><td>2</td></tr> </table>			54	53						47	46	45		43		41	40		38					34	33	32	31	30	29	28	27	26	25	24				20	19	18		16			13	12	11	10		8		6				3	2			
		54	53						47	46	45		43																																																						
	41	40		38					34	33	32	31	30	29																																																					
28	27	26	25	24				20	19	18		16																																																							
	13	12	11	10		8		6				3	2																																																						
AVAILABLE	NOT APPLICABLE	34576-7293	G	9	G	BLUE	<table border="1"> <tr><td></td><td></td><td>54</td><td>53</td><td></td><td></td><td></td><td></td><td>49</td><td>48</td><td>47</td><td>46</td><td>45</td><td></td><td>43</td></tr> <tr><td></td><td>41</td><td>40</td><td></td><td>38</td><td></td><td></td><td></td><td></td><td></td><td>33</td><td>32</td><td>31</td><td>30</td><td>29</td></tr> <tr><td>28</td><td>27</td><td>26</td><td>25</td><td>24</td><td></td><td></td><td></td><td>20</td><td>19</td><td>18</td><td></td><td>16</td><td>15</td><td></td></tr> <tr><td></td><td>13</td><td>12</td><td>11</td><td>10</td><td></td><td>8</td><td></td><td>6</td><td></td><td></td><td></td><td>3</td><td>2</td><td>1</td></tr> </table>			54	53					49	48	47	46	45		43		41	40		38						33	32	31	30	29	28	27	26	25	24				20	19	18		16	15			13	12	11	10		8		6				3	2	1
		54	53					49	48	47	46	45		43																																																					
	41	40		38						33	32	31	30	29																																																					
28	27	26	25	24				20	19	18		16	15																																																						
	13	12	11	10		8		6				3	2	1																																																					
AVAILABLE	NOT APPLICABLE	34576-7303	G	0	G	BLUE	<table border="1"> <tr><td>56</td><td>55</td><td></td><td></td><td>52</td><td>51</td><td>50</td><td></td><td></td><td></td><td></td><td></td><td>45</td><td></td><td></td></tr> <tr><td>42</td><td>41</td><td></td><td></td><td></td><td></td><td></td><td></td><td>35</td><td>34</td><td>33</td><td></td><td></td><td></td><td></td></tr> <tr><td>28</td><td>27</td><td></td><td></td><td></td><td></td><td></td><td></td><td></td><td></td><td></td><td></td><td>18</td><td>16</td><td></td></tr> <tr><td>14</td><td>13</td><td></td><td></td><td></td><td></td><td></td><td></td><td></td><td></td><td></td><td></td><td>3</td><td></td><td></td></tr> </table>	56	55			52	51	50						45			42	41							35	34	33					28	27											18	16		14	13											3		
56	55			52	51	50						45																																																							
42	41							35	34	33																																																									
28	27											18	16																																																						
14	13											3																																																							
AVAILABLE	NOT APPLICABLE	34576-7313	G	0	G	BLUE	<table border="1"> <tr><td>56</td><td>55</td><td>54</td><td>53</td><td>52</td><td>51</td><td>50</td><td></td><td></td><td></td><td></td><td></td><td>45</td><td></td><td></td></tr> <tr><td>42</td><td>41</td><td>40</td><td>39</td><td></td><td></td><td></td><td></td><td>35</td><td>34</td><td>33</td><td></td><td></td><td></td><td></td></tr> <tr><td>28</td><td>27</td><td></td><td></td><td></td><td>23</td><td></td><td></td><td></td><td></td><td></td><td></td><td>18</td><td>17</td><td>16</td></tr> <tr><td>14</td><td>13</td><td></td><td></td><td></td><td>9</td><td></td><td></td><td></td><td></td><td></td><td></td><td>3</td><td>2</td><td></td></tr> </table>	56	55	54	53	52	51	50						45			42	41	40	39					35	34	33					28	27				23							18	17	16	14	13				9							3	2	
56	55	54	53	52	51	50						45																																																							
42	41	40	39					35	34	33																																																									
28	27				23							18	17	16																																																					
14	13				9							3	2																																																						
AVAILABLE	NOT APPLICABLE	34576-7323	G	0	G	BLUE	<table border="1"> <tr><td>56</td><td>55</td><td>54</td><td>53</td><td>52</td><td>51</td><td>50</td><td></td><td></td><td></td><td></td><td></td><td>45</td><td></td><td></td></tr> <tr><td>42</td><td>41</td><td>40</td><td>39</td><td></td><td></td><td></td><td></td><td>35</td><td>34</td><td>33</td><td></td><td></td><td></td><td></td></tr> <tr><td>28</td><td>27</td><td></td><td></td><td></td><td>23</td><td></td><td></td><td></td><td></td><td></td><td></td><td>18</td><td>16</td><td></td></tr> <tr><td>14</td><td>13</td><td></td><td></td><td></td><td>9</td><td></td><td></td><td></td><td></td><td></td><td></td><td>3</td><td>2</td><td></td></tr> </table>	56	55	54	53	52	51	50						45			42	41	40	39					35	34	33					28	27				23							18	16		14	13				9							3	2	
56	55	54	53	52	51	50						45																																																							
42	41	40	39					35	34	33																																																									
28	27				23							18	16																																																						
14	13				9							3	2																																																						
AVAILABLE	NOT APPLICABLE	34576-7333	G	0	G	BLUE	<table border="1"> <tr><td>56</td><td>55</td><td>54</td><td>53</td><td>52</td><td>51</td><td>50</td><td></td><td></td><td></td><td></td><td></td><td>45</td><td></td><td></td></tr> <tr><td>42</td><td>41</td><td>40</td><td>39</td><td></td><td></td><td></td><td></td><td>35</td><td>34</td><td>33</td><td></td><td></td><td></td><td></td></tr> <tr><td>28</td><td>27</td><td></td><td></td><td></td><td></td><td></td><td></td><td></td><td></td><td></td><td></td><td>18</td><td>17</td><td>16</td></tr> <tr><td>14</td><td>13</td><td></td><td></td><td></td><td></td><td></td><td></td><td></td><td></td><td></td><td></td><td>3</td><td>2</td><td></td></tr> </table>	56	55	54	53	52	51	50						45			42	41	40	39					35	34	33					28	27											18	17	16	14	13											3	2	
56	55	54	53	52	51	50						45																																																							
42	41	40	39					35	34	33																																																									
28	27											18	17	16																																																					
14	13											3	2																																																						

<b>QUALITY SYMBOLS</b> Fp = 0 Ep = 0 Fp = 0 Fp = 0 C = 0 X = 0 = 0 = 0	THIS DRAWING CONTAINS INFORMATION THAT IS PROPRIETARY TO MOLEX ELECTRONIC TECHNOLOGIES, LLC AND SHOULD NOT BE USED WITHOUT WRITTEN PERMISSION		DIMENSION UNITS <b>MM</b>		SCALE <b>1:1</b>		  <b>MX123</b> 18/49/56 CKT HRNS CONN ASSY  PRODUCT CUSTOMER DRAWING		
	EC NO: 115012 DRWN: TYE CHKD: JDENG02 REV APPR:	2017/03/27 2017/03/30	GENERAL TOLERANCES (UNLESS SPECIFIED)		DRWN BY DATE SKRAJENDRANA 2011/01/25			SERIES MATERIAL NUMBER CUSTOMER 34576 SEE BOM TABLE GENERAL MARKET	
		ANGULAR TOL ± °		CHKD BY DATE					
		4 PLACES ± 3 PLACES ± 2 PLACES ± 1 PLACE ± 0 PLACES ±		APPR BY DATE SKRAJENDRANA 2016/10/24					
DRAFT WHERE APPLICABLE MUST REMAIN WITHIN DIMENSIONS		DRAWING SIZE <b>D</b>		THIRD ANGLE PROJECTION		DOCUMENT NUMBER SD-34576-001	DOC TYPE PSD	DOC PART 000	SHEET NUMBER 16 OF 20

STATUS	GM PART #	MATERIAL #	PART/MATERIAL REVISION	WIRE DRESS OPTION	KEY OPTION Fp	COLOR (TPA) Fp	NUMBERS INDICATE CAVITIES OPEN FOR CIRCUITS Fp																																																																																				
AVAILABLE	NOT APPLICABLE	34576-7343	G	0	G	BLUE	<table border="1"> <tr><td>56</td><td>55</td><td></td><td></td><td>52</td><td>51</td><td>50</td><td></td><td></td><td>46</td><td>45</td><td></td><td></td></tr> <tr><td>42</td><td>41</td><td></td><td></td><td></td><td></td><td></td><td></td><td></td><td>33</td><td></td><td></td><td></td></tr> <tr><td>28</td><td>27</td><td></td><td></td><td></td><td></td><td></td><td>21</td><td></td><td>18</td><td>17</td><td>16</td><td></td></tr> <tr><td>14</td><td>13</td><td></td><td></td><td></td><td></td><td></td><td></td><td></td><td>3</td><td></td><td></td><td></td></tr> </table>	56	55			52	51	50			46	45			42	41								33				28	27						21		18	17	16		14	13								3																																			
56	55			52	51	50			46	45																																																																																	
42	41								33																																																																																		
28	27						21		18	17	16																																																																																
14	13								3																																																																																		
AVAILABLE	NOT APPLICABLE	34576-7353	G	0	G	BLUE	<table border="1"> <tr><td>56</td><td></td><td>53</td><td>52</td><td></td><td>50</td><td></td><td></td><td>47</td><td>46</td><td>45</td><td></td><td>43</td></tr> <tr><td></td><td></td><td>40</td><td>38</td><td></td><td></td><td></td><td></td><td>34</td><td>33</td><td>32</td><td>31</td><td>30</td><td>29</td></tr> <tr><td>28</td><td>27</td><td>26</td><td>25</td><td>24</td><td></td><td></td><td></td><td>20</td><td>19</td><td>18</td><td></td><td>16</td><td></td></tr> <tr><td></td><td>13</td><td>12</td><td>11</td><td>10</td><td></td><td>8</td><td></td><td></td><td></td><td>3</td><td>2</td><td></td><td></td></tr> </table>	56		53	52		50			47	46	45		43			40	38					34	33	32	31	30	29	28	27	26	25	24				20	19	18		16			13	12	11	10		8				3	2																															
56		53	52		50			47	46	45		43																																																																															
		40	38					34	33	32	31	30	29																																																																														
28	27	26	25	24				20	19	18		16																																																																															
	13	12	11	10		8				3	2																																																																																
NOT VALIDATED	NOT APPLICABLE	34851-0029	A	9	G	BLUE	<table border="1"> <tr><td></td><td></td><td></td><td></td><td></td><td></td><td></td><td></td><td>14</td><td></td><td></td><td></td><td></td></tr> <tr><td></td><td></td><td></td><td></td><td></td><td></td><td></td><td></td><td>11</td><td>10</td><td></td><td></td><td>1</td></tr> <tr><td></td><td></td><td></td><td></td><td></td><td></td><td></td><td></td><td>8</td><td>7</td><td></td><td></td><td></td></tr> <tr><td></td><td></td><td></td><td></td><td></td><td></td><td></td><td></td><td>4</td><td>3</td><td>2</td><td></td><td></td></tr> </table>									14													11	10			1									8	7												4	3	2																																		
								14																																																																																			
								11	10			1																																																																															
								8	7																																																																																		
								4	3	2																																																																																	
AVAILABLE	NOT APPLICABLE	34576-7363	G	0	H	ST.GRAY	<table border="1"> <tr><td></td><td></td><td></td><td></td><td></td><td>51</td><td>50</td><td></td><td>48</td><td>47</td><td>46</td><td>45</td><td></td><td></td></tr> <tr><td></td><td></td><td></td><td></td><td></td><td></td><td></td><td></td><td>34</td><td>33</td><td>32</td><td>31</td><td></td><td>29</td></tr> <tr><td></td><td></td><td></td><td></td><td></td><td></td><td></td><td></td><td>21</td><td>20</td><td></td><td></td><td></td><td></td></tr> <tr><td></td><td></td><td></td><td></td><td></td><td>9</td><td>8</td><td>7</td><td>6</td><td></td><td>4</td><td>3</td><td>2</td><td>1</td></tr> </table>						51	50		48	47	46	45											34	33	32	31		29									21	20										9	8	7	6		4	3	2	1																												
					51	50		48	47	46	45																																																																																
								34	33	32	31		29																																																																														
								21	20																																																																																		
					9	8	7	6		4	3	2	1																																																																														
AVAILABLE	NOT APPLICABLE	34576-7373	G	9	G	BLUE	<table border="1"> <tr><td></td><td></td><td></td><td></td><td>52</td><td></td><td></td><td></td><td>48</td><td>47</td><td></td><td></td><td></td><td>43</td></tr> <tr><td></td><td></td><td>40</td><td></td><td></td><td>37</td><td>36</td><td></td><td>34</td><td></td><td></td><td></td><td></td><td>30</td></tr> <tr><td></td><td></td><td></td><td></td><td></td><td>24</td><td></td><td></td><td>20</td><td></td><td></td><td></td><td></td><td>15</td></tr> <tr><td>14</td><td></td><td></td><td></td><td></td><td></td><td></td><td></td><td>7</td><td></td><td></td><td></td><td></td><td></td></tr> </table>					52				48	47				43			40			37	36		34					30						24			20					15	14								7																																	
				52				48	47				43																																																																														
		40			37	36		34					30																																																																														
					24			20					15																																																																														
14								7																																																																																			
NOT VALIDATED	NOT APPLICABLE	34851-0030	A	0	H	ST.GRAY	<table border="1"> <tr><td></td><td></td><td></td><td></td><td></td><td></td><td></td><td></td><td>17</td><td>16</td><td>15</td><td>14</td><td></td><td></td></tr> <tr><td></td><td></td><td></td><td></td><td></td><td></td><td></td><td></td><td></td><td></td><td></td><td>10</td><td></td><td></td></tr> <tr><td></td><td></td><td></td><td></td><td></td><td></td><td></td><td></td><td></td><td></td><td></td><td>6</td><td></td><td></td></tr> <tr><td></td><td></td><td></td><td></td><td></td><td></td><td></td><td></td><td></td><td></td><td>4</td><td>3</td><td>2</td><td></td></tr> </table>									17	16	15	14														10														6													4	3	2																													
								17	16	15	14																																																																																
											10																																																																																
											6																																																																																
										4	3	2																																																																															
NOT VALIDATED	NOT APPLICABLE	34576-9113	A	0	A	BLACK	<table border="1"> <tr><td></td><td></td><td></td><td></td><td></td><td></td><td></td><td></td><td></td><td></td><td></td><td></td><td></td><td></td></tr> <tr><td></td><td></td><td></td><td></td><td></td><td></td><td></td><td></td><td></td><td></td><td></td><td></td><td></td><td></td></tr> <tr><td></td><td></td><td></td><td></td><td></td><td></td><td></td><td></td><td></td><td></td><td></td><td></td><td></td><td></td></tr> <tr><td></td><td></td><td></td><td></td><td></td><td></td><td></td><td></td><td></td><td></td><td></td><td></td><td></td><td></td></tr> <tr><td>49</td><td></td><td></td><td></td><td></td><td></td><td></td><td></td><td></td><td></td><td></td><td></td><td></td><td></td></tr> </table>																																																									49																											
49																																																																																											
NOT VALIDATED	NOT APPLICABLE	34576-9123	A	0	C	BLUE	<table border="1"> <tr><td></td><td></td><td></td><td></td><td></td><td></td><td></td><td></td><td></td><td></td><td></td><td></td><td></td><td></td></tr> <tr><td></td><td></td><td></td><td></td><td></td><td></td><td></td><td></td><td></td><td></td><td></td><td></td><td></td><td></td></tr> <tr><td></td><td></td><td></td><td></td><td></td><td></td><td></td><td></td><td></td><td></td><td></td><td></td><td></td><td></td></tr> <tr><td></td><td></td><td></td><td></td><td></td><td></td><td></td><td></td><td></td><td></td><td></td><td></td><td></td><td></td></tr> <tr><td></td><td></td><td></td><td></td><td></td><td></td><td></td><td></td><td></td><td></td><td></td><td></td><td></td><td></td></tr> <tr><td>49</td><td></td><td></td><td></td><td></td><td></td><td></td><td></td><td></td><td></td><td></td><td></td><td></td><td></td></tr> </table>																																																																							49													
49																																																																																											
AVAILABLE	NOT APPLICABLE	34576-7383	G	9	G	BLUE	<table border="1"> <tr><td>56</td><td>55</td><td>54</td><td>53</td><td></td><td></td><td></td><td>49</td><td>48</td><td>47</td><td></td><td>45</td><td>44</td><td></td></tr> <tr><td></td><td></td><td>40</td><td>39</td><td></td><td>37</td><td>36</td><td>35</td><td>34</td><td>33</td><td></td><td></td><td></td><td>29</td></tr> <tr><td></td><td></td><td></td><td>25</td><td></td><td></td><td></td><td></td><td>20</td><td>19</td><td>18</td><td></td><td>16</td><td>15</td></tr> <tr><td></td><td>13</td><td>12</td><td></td><td></td><td>9</td><td></td><td>7</td><td>6</td><td></td><td></td><td></td><td></td><td>1</td></tr> </table>	56	55	54	53				49	48	47		45	44				40	39		37	36	35	34	33				29				25					20	19	18		16	15		13	12			9		7	6					1																												
56	55	54	53				49	48	47		45	44																																																																															
		40	39		37	36	35	34	33				29																																																																														
			25					20	19	18		16	15																																																																														
	13	12			9		7	6					1																																																																														

<b>QUALITY SYMBOLS</b> 	THIS DRAWING CONTAINS INFORMATION THAT IS PROPRIETARY TO MOLEX ELECTRONIC TECHNOLOGIES, LLC AND SHOULD NOT BE USED WITHOUT WRITTEN PERMISSION		<b>GENERAL TOLERANCES (UNLESS SPECIFIED)</b> DIMENSION UNITS: MM SCALE: 1:1 ANGULAR TOL ± °		  <b>MX123</b> <b>18/49/56 CKT HRNS CONN ASSY</b>  <b>PRODUCT CUSTOMER DRAWING</b>
	DRWN BY: 2017/03/27	DATE: 2017/03/30	DRWN BY: SKRAJENDRANA	DATE: 2011/01/25	
	CHKD BY:	DATE:	CHKD BY:	DATE:	
	EC NO: 115012	DRWN: TYE	APPR BY: SKRAJENDRANA	DATE: 2016/10/24	
	CHKD: JDENG02	REV APPR: JDENG02	APPR BY:	DATE:	
	REV:	APPR:	DRAWING SIZE: D	THIRD ANGLE PROJECTION:	
<b>RELEASE STATUS</b> F74	<b>RELEASE DATE</b> 2017/03/30	SERIES: 34576	MATERIAL NUMBER: SEE BOM TABLE	CUSTOMER: GENERAL MARKET	DOCUMENT NUMBER: SD-34576-001 DOC TYPE: PSD DOC PART: 000 SHEET NUMBER: 17 OF 20

STATUS	GM PART #	MATERIAL #	PART/MATERIAL REVISION	WIRE DRESS OPTION	KEY OPTION Fp	COLOR (TPA) Fp	NUMBERS INDICATE CAVITIES OPEN FOR CIRCUITS Fp																																																								
AVAILABLE	NOT APPLICABLE	34576-7393	G	0	G	BLUE	<table border="1"> <tr><td>56</td><td>55</td><td></td><td></td><td>52</td><td>51</td><td>50</td><td></td><td></td><td></td><td>46</td><td>45</td><td>44</td><td></td></tr> <tr><td>42</td><td>41</td><td></td><td></td><td></td><td></td><td></td><td></td><td></td><td></td><td></td><td></td><td></td><td></td></tr> <tr><td></td><td></td><td></td><td></td><td></td><td></td><td></td><td>21</td><td></td><td>19</td><td>18</td><td></td><td></td><td>15</td></tr> <tr><td>14</td><td>13</td><td></td><td></td><td></td><td></td><td>8</td><td></td><td></td><td></td><td></td><td>3</td><td></td><td></td></tr> </table>	56	55			52	51	50				46	45	44		42	41																				21		19	18			15	14	13					8					3		
56	55			52	51	50				46	45	44																																																			
42	41																																																														
							21		19	18			15																																																		
14	13					8					3																																																				
AVAILABLE	NOT APPLICABLE	34576-7403	G	0	G	BLUE	<table border="1"> <tr><td>56</td><td>55</td><td></td><td></td><td>52</td><td>51</td><td>50</td><td></td><td></td><td></td><td>45</td><td></td><td></td><td></td></tr> <tr><td>42</td><td>41</td><td></td><td></td><td></td><td></td><td></td><td></td><td></td><td></td><td></td><td></td><td></td><td></td></tr> <tr><td>28</td><td>27</td><td></td><td></td><td></td><td></td><td>22</td><td></td><td></td><td></td><td>18</td><td>17</td><td>16</td><td></td></tr> <tr><td>14</td><td>13</td><td></td><td></td><td></td><td></td><td>8</td><td></td><td></td><td></td><td></td><td>3</td><td></td><td></td></tr> </table>	56	55			52	51	50				45				42	41													28	27					22				18	17	16		14	13					8					3		
56	55			52	51	50				45																																																					
42	41																																																														
28	27					22				18	17	16																																																			
14	13					8					3																																																				
AVAILABLE	NOT APPLICABLE	34576-7413	G	0	G	BLUE	<table border="1"> <tr><td></td><td></td><td>54</td><td>53</td><td></td><td></td><td></td><td>49</td><td>48</td><td>47</td><td>46</td><td></td><td>44</td><td>43</td></tr> <tr><td></td><td></td><td>40</td><td>39</td><td>38</td><td>37</td><td>36</td><td></td><td></td><td></td><td>32</td><td>31</td><td>30</td><td>29</td></tr> <tr><td></td><td></td><td>26</td><td>25</td><td>24</td><td>23</td><td></td><td>21</td><td>20</td><td>19</td><td></td><td>17</td><td></td><td>15</td></tr> <tr><td></td><td></td><td>12</td><td>11</td><td>10</td><td>9</td><td></td><td>7</td><td>6</td><td>5</td><td>4</td><td></td><td>2</td><td>1</td></tr> </table>			54	53				49	48	47	46		44	43			40	39	38	37	36				32	31	30	29			26	25	24	23		21	20	19		17		15			12	11	10	9		7	6	5	4		2	1
		54	53				49	48	47	46		44	43																																																		
		40	39	38	37	36				32	31	30	29																																																		
		26	25	24	23		21	20	19		17		15																																																		
		12	11	10	9		7	6	5	4		2	1																																																		
AVAILABLE	NOT APPLICABLE	34576-7423	G	0	G	BLUE	<table border="1"> <tr><td></td><td></td><td>54</td><td>53</td><td></td><td></td><td></td><td>49</td><td>48</td><td>47</td><td>46</td><td></td><td>44</td><td>43</td></tr> <tr><td></td><td></td><td>40</td><td>39</td><td>38</td><td>37</td><td>36</td><td>35</td><td>34</td><td>33</td><td>32</td><td>31</td><td>30</td><td>29</td></tr> <tr><td></td><td></td><td>26</td><td>25</td><td>24</td><td>23</td><td></td><td>21</td><td>20</td><td>19</td><td></td><td>17</td><td></td><td>15</td></tr> <tr><td></td><td></td><td>12</td><td>11</td><td>10</td><td>9</td><td></td><td>7</td><td>6</td><td>5</td><td>4</td><td></td><td>2</td><td>1</td></tr> </table>			54	53				49	48	47	46		44	43			40	39	38	37	36	35	34	33	32	31	30	29			26	25	24	23		21	20	19		17		15			12	11	10	9		7	6	5	4		2	1
		54	53				49	48	47	46		44	43																																																		
		40	39	38	37	36	35	34	33	32	31	30	29																																																		
		26	25	24	23		21	20	19		17		15																																																		
		12	11	10	9		7	6	5	4		2	1																																																		
AVAILABLE	NOT APPLICABLE	34576-7433	G	0	G	BLUE	<table border="1"> <tr><td></td><td></td><td>54</td><td>53</td><td></td><td></td><td></td><td>49</td><td>48</td><td>47</td><td>46</td><td></td><td>44</td><td>43</td></tr> <tr><td></td><td></td><td>40</td><td>39</td><td>38</td><td>37</td><td>36</td><td>35</td><td>34</td><td>33</td><td>32</td><td>31</td><td>30</td><td>29</td></tr> <tr><td></td><td></td><td>26</td><td>25</td><td>24</td><td>23</td><td></td><td>21</td><td>20</td><td>19</td><td></td><td></td><td></td><td>15</td></tr> <tr><td></td><td></td><td>12</td><td>11</td><td>10</td><td>9</td><td></td><td>7</td><td>6</td><td>5</td><td>4</td><td></td><td>2</td><td>1</td></tr> </table>			54	53				49	48	47	46		44	43			40	39	38	37	36	35	34	33	32	31	30	29			26	25	24	23		21	20	19				15			12	11	10	9		7	6	5	4		2	1
		54	53				49	48	47	46		44	43																																																		
		40	39	38	37	36	35	34	33	32	31	30	29																																																		
		26	25	24	23		21	20	19				15																																																		
		12	11	10	9		7	6	5	4		2	1																																																		
AVAILABLE	NOT APPLICABLE	34576-7443	G	0	G	BLUE	<table border="1"> <tr><td></td><td></td><td>54</td><td>53</td><td></td><td></td><td></td><td>49</td><td>48</td><td>47</td><td></td><td></td><td></td><td>43</td></tr> <tr><td></td><td></td><td>40</td><td>39</td><td>38</td><td>37</td><td>36</td><td></td><td></td><td></td><td>32</td><td>31</td><td>30</td><td>29</td></tr> <tr><td></td><td></td><td>26</td><td>25</td><td>24</td><td>23</td><td></td><td></td><td>20</td><td></td><td></td><td>17</td><td></td><td>15</td></tr> <tr><td></td><td></td><td>12</td><td>11</td><td>10</td><td>9</td><td></td><td>7</td><td>6</td><td>5</td><td>4</td><td></td><td>2</td><td>1</td></tr> </table>			54	53				49	48	47				43			40	39	38	37	36				32	31	30	29			26	25	24	23			20			17		15			12	11	10	9		7	6	5	4		2	1
		54	53				49	48	47				43																																																		
		40	39	38	37	36				32	31	30	29																																																		
		26	25	24	23			20			17		15																																																		
		12	11	10	9		7	6	5	4		2	1																																																		
AVAILABLE	NOT APPLICABLE	34576-7453	G	9	G	BLUE	<table border="1"> <tr><td></td><td></td><td></td><td></td><td>52</td><td></td><td></td><td></td><td>48</td><td>47</td><td>45</td><td></td><td>43</td><td></td></tr> <tr><td></td><td></td><td>40</td><td></td><td></td><td>37</td><td>36</td><td></td><td>34</td><td></td><td></td><td></td><td>30</td><td></td></tr> <tr><td></td><td></td><td></td><td></td><td>24</td><td></td><td></td><td></td><td>20</td><td></td><td></td><td></td><td></td><td>15</td></tr> <tr><td>14</td><td></td><td></td><td></td><td></td><td></td><td></td><td>7</td><td></td><td></td><td></td><td></td><td></td><td></td></tr> </table>					52				48	47	45		43				40			37	36		34				30						24				20					15	14							7						
				52				48	47	45		43																																																			
		40			37	36		34				30																																																			
				24				20					15																																																		
14							7																																																								
AVAILABLE	NOT APPLICABLE	34576-7463	G	9	G	BLUE	<table border="1"> <tr><td></td><td></td><td></td><td></td><td></td><td></td><td></td><td></td><td></td><td></td><td>33</td><td>31</td><td></td><td></td></tr> <tr><td></td><td></td><td></td><td></td><td>24</td><td>23</td><td>22</td><td>21</td><td>20</td><td>19</td><td>18</td><td></td><td>16</td><td></td></tr> <tr><td></td><td></td><td></td><td></td><td>10</td><td>9</td><td>8</td><td>7</td><td>6</td><td></td><td></td><td></td><td>2</td><td></td></tr> </table>											33	31							24	23	22	21	20	19	18		16						10	9	8	7	6				2															
										33	31																																																				
				24	23	22	21	20	19	18		16																																																			
				10	9	8	7	6				2																																																			
AVAILABLE	NOT APPLICABLE	34576-7473	G	9	G	BLUE	<table border="1"> <tr><td>56</td><td>55</td><td>54</td><td>53</td><td></td><td>51</td><td>50</td><td>49</td><td></td><td></td><td>46</td><td></td><td>44</td><td></td></tr> <tr><td>42</td><td>41</td><td></td><td>39</td><td>38</td><td></td><td></td><td>35</td><td></td><td>33</td><td>32</td><td>31</td><td></td><td>29</td></tr> <tr><td>28</td><td>27</td><td>26</td><td>25</td><td></td><td>23</td><td>22</td><td>21</td><td></td><td>19</td><td>18</td><td>17</td><td>16</td><td></td></tr> <tr><td></td><td>13</td><td>12</td><td>11</td><td>10</td><td>9</td><td>8</td><td></td><td>6</td><td>5</td><td>4</td><td>3</td><td>2</td><td>1</td></tr> </table>	56	55	54	53		51	50	49			46		44		42	41		39	38			35		33	32	31		29	28	27	26	25		23	22	21		19	18	17	16			13	12	11	10	9	8		6	5	4	3	2	1
56	55	54	53		51	50	49			46		44																																																			
42	41		39	38			35		33	32	31		29																																																		
28	27	26	25		23	22	21		19	18	17	16																																																			
	13	12	11	10	9	8		6	5	4	3	2	1																																																		

<b>QUALITY SYMBOLS</b> = 0 = 0 = 0 = 0 = 0 = 0 = 0 = 0	THIS DRAWING CONTAINS INFORMATION THAT IS PROPRIETARY TO MOLEX ELECTRONIC TECHNOLOGIES, LLC AND SHOULD NOT BE USED WITHOUT WRITTEN PERMISSION		<b>GENERAL TOLERANCES (UNLESS SPECIFIED)</b> DIMENSION UNITS: <b>MM</b> SCALE: <b>1:1</b>		
	DRWN BY: <b>SKRAJENDRANA</b> DATE: <b>2011/01/25</b> CHKD BY: _____ DATE: _____	EC NO: <b>115012</b> DRWN: <b>TYE</b> CHKD: <b>JDENG02</b> REV: <b>F74</b> APPR: _____	ANGULAR TOL ± _____ ° 4 PLACES ± _____ 3 PLACES ± _____ 2 PLACES ± _____ 1 PLACE ± _____ 0 PLACES ± _____	APPR BY: <b>SKRAJENDRANA</b> DATE: <b>2016/10/24</b>	
DRAFT WHERE APPLICABLE MUST REMAIN WITHIN DIMENSIONS		DRAWING SIZE: <b>D</b> THIRD ANGLE PROJECTION:	<b>PRODUCT CUSTOMER DRAWING</b> MX123 18/49/56 CKT HRNS CONN ASSY		
RELEASE STATUS: _____ RELEASE DATE: _____		DOCUMENT NUMBER: <b>SD-34576-001</b> DOC TYPE: <b>PSD</b> DOC PART: <b>000</b> SHEET NUMBER: <b>18 OF 20</b>			

STATUS	GM PART #	MATERIAL #	PART/MATERIAL REVISION	WIRE DRESS OPTION	KEY OPTION Fp	COLOR (TPA) Fp	NUMBERS INDICATE CAVITIES OPEN FOR CIRCUITS Fp																																																												
AVAILABLE	NOT APPLICABLE	34576-7483	G	0	G	BLUE	<table border="1"> <tr><td>56</td><td>55</td><td></td><td></td><td>52</td><td>51</td><td>50</td><td></td><td></td><td></td><td></td><td>45</td><td></td><td></td></tr> <tr><td>42</td><td>41</td><td></td><td></td><td></td><td></td><td></td><td>35</td><td>34</td><td>33</td><td></td><td></td><td></td><td></td></tr> <tr><td>28</td><td>27</td><td></td><td></td><td></td><td></td><td></td><td></td><td></td><td></td><td></td><td>18</td><td></td><td>16</td></tr> <tr><td>14</td><td>13</td><td></td><td></td><td></td><td></td><td></td><td></td><td></td><td></td><td></td><td>4</td><td>3</td><td></td></tr> </table>	56	55			52	51	50					45			42	41						35	34	33					28	27										18		16	14	13										4	3					
56	55			52	51	50					45																																																								
42	41						35	34	33																																																										
28	27										18		16																																																						
14	13										4	3																																																							
AVAILABLE	NOT APPLICABLE	34576-7493	G	0	G	BLUE	<table border="1"> <tr><td>56</td><td>55</td><td>54</td><td>53</td><td>52</td><td>51</td><td>50</td><td></td><td></td><td></td><td></td><td>45</td><td></td><td></td></tr> <tr><td>42</td><td>41</td><td>40</td><td>39</td><td></td><td></td><td></td><td></td><td></td><td></td><td></td><td></td><td></td><td></td></tr> <tr><td>28</td><td>27</td><td></td><td></td><td></td><td></td><td></td><td></td><td></td><td></td><td></td><td>18</td><td></td><td>16</td></tr> <tr><td>14</td><td>13</td><td></td><td></td><td></td><td></td><td></td><td></td><td></td><td></td><td></td><td>4</td><td>3</td><td>2</td></tr> </table>	56	55	54	53	52	51	50					45			42	41	40	39											28	27										18		16	14	13										4	3	2				
56	55	54	53	52	51	50					45																																																								
42	41	40	39																																																																
28	27										18		16																																																						
14	13										4	3	2																																																						
AVAILABLE	NOT APPLICABLE	34576-7503	G	0	G	BLUE	<table border="1"> <tr><td>56</td><td>55</td><td></td><td></td><td>52</td><td>51</td><td>50</td><td></td><td></td><td></td><td></td><td>45</td><td></td><td></td></tr> <tr><td>42</td><td>41</td><td></td><td></td><td></td><td></td><td></td><td></td><td></td><td></td><td></td><td></td><td></td><td></td></tr> <tr><td>28</td><td>27</td><td></td><td></td><td></td><td></td><td></td><td></td><td></td><td></td><td></td><td>18</td><td></td><td>16</td></tr> <tr><td>14</td><td>13</td><td></td><td></td><td></td><td></td><td></td><td></td><td></td><td></td><td></td><td>4</td><td>3</td><td></td></tr> </table>	56	55			52	51	50					45			42	41													28	27										18		16	14	13										4	3					
56	55			52	51	50					45																																																								
42	41																																																																		
28	27										18		16																																																						
14	13										4	3																																																							
AVAILABLE	NOT APPLICABLE	34576-7513	G	0	G	BLUE	<table border="1"> <tr><td>56</td><td>55</td><td>54</td><td>53</td><td>52</td><td>51</td><td>50</td><td>49</td><td>48</td><td>47</td><td>46</td><td>45</td><td>44</td><td>43</td></tr> <tr><td>42</td><td>41</td><td>40</td><td>39</td><td>38</td><td></td><td></td><td>35</td><td>34</td><td>33</td><td>32</td><td>31</td><td>30</td><td>29</td></tr> <tr><td>28</td><td>27</td><td>26</td><td>25</td><td></td><td>23</td><td>22</td><td>21</td><td></td><td>19</td><td>18</td><td>17</td><td>16</td><td>15</td></tr> <tr><td>14</td><td>13</td><td>12</td><td>11</td><td>10</td><td>9</td><td>8</td><td></td><td>6</td><td>5</td><td>4</td><td>3</td><td>2</td><td>1</td></tr> </table>	56	55	54	53	52	51	50	49	48	47	46	45	44	43	42	41	40	39	38			35	34	33	32	31	30	29	28	27	26	25		23	22	21		19	18	17	16	15	14	13	12	11	10	9	8		6	5	4	3	2	1				
56	55	54	53	52	51	50	49	48	47	46	45	44	43																																																						
42	41	40	39	38			35	34	33	32	31	30	29																																																						
28	27	26	25		23	22	21		19	18	17	16	15																																																						
14	13	12	11	10	9	8		6	5	4	3	2	1																																																						
AVAILABLE	NOT APPLICABLE	34576-7523	G	9	G	BLUE	<table border="1"> <tr><td></td><td></td><td></td><td></td><td></td><td></td><td></td><td></td><td></td><td></td><td></td><td></td><td></td><td></td></tr> <tr><td></td><td></td><td></td><td></td><td></td><td>37</td><td>36</td><td></td><td></td><td></td><td></td><td></td><td></td><td></td></tr> <tr><td></td><td></td><td></td><td></td><td>24</td><td></td><td></td><td></td><td>20</td><td></td><td></td><td></td><td></td><td></td></tr> <tr><td></td><td></td><td></td><td></td><td></td><td></td><td></td><td>7</td><td></td><td></td><td></td><td></td><td></td><td></td></tr> </table>																				37	36												24				20													7										
					37	36																																																													
				24				20																																																											
							7																																																												
AVAILABLE	NOT APPLICABLE	34576-7533	G	9	G	BLUE	<table border="1"> <tr><td>56</td><td></td><td>54</td><td>53</td><td>52</td><td></td><td></td><td>49</td><td>48</td><td>47</td><td>46</td><td>45</td><td>43</td><td></td></tr> <tr><td></td><td>41</td><td>40</td><td>39</td><td>38</td><td></td><td></td><td></td><td>34</td><td>33</td><td>32</td><td>31</td><td>30</td><td>29</td></tr> <tr><td>28</td><td>27</td><td>26</td><td>25</td><td>24</td><td>23</td><td></td><td></td><td>20</td><td>19</td><td>18</td><td></td><td>16</td><td></td></tr> <tr><td></td><td>13</td><td>12</td><td>11</td><td>10</td><td>9</td><td>8</td><td></td><td></td><td></td><td></td><td>3</td><td>2</td><td></td></tr> </table>	56		54	53	52			49	48	47	46	45	43			41	40	39	38				34	33	32	31	30	29	28	27	26	25	24	23			20	19	18		16			13	12	11	10	9	8					3	2					
56		54	53	52			49	48	47	46	45	43																																																							
	41	40	39	38				34	33	32	31	30	29																																																						
28	27	26	25	24	23			20	19	18		16																																																							
	13	12	11	10	9	8					3	2																																																							
AVAILABLE	NOT APPLICABLE	34576-7543	G	9	G	BLUE	<table border="1"> <tr><td>56</td><td></td><td>54</td><td>53</td><td>52</td><td></td><td></td><td></td><td>48</td><td>47</td><td>46</td><td>45</td><td>43</td><td></td></tr> <tr><td></td><td>41</td><td>40</td><td>39</td><td>38</td><td></td><td></td><td></td><td>34</td><td>33</td><td>32</td><td>31</td><td>30</td><td>29</td></tr> <tr><td>28</td><td>27</td><td>26</td><td>25</td><td>24</td><td>23</td><td></td><td></td><td>20</td><td>19</td><td>18</td><td></td><td>16</td><td></td></tr> <tr><td></td><td>13</td><td>12</td><td>11</td><td>10</td><td>9</td><td>8</td><td></td><td></td><td></td><td></td><td>3</td><td>2</td><td></td></tr> </table>	56		54	53	52				48	47	46	45	43			41	40	39	38				34	33	32	31	30	29	28	27	26	25	24	23			20	19	18		16			13	12	11	10	9	8					3	2					
56		54	53	52				48	47	46	45	43																																																							
	41	40	39	38				34	33	32	31	30	29																																																						
28	27	26	25	24	23			20	19	18		16																																																							
	13	12	11	10	9	8					3	2																																																							
(F73) AVAILABLE	NOT APPLICABLE	34576-7553	F	0	A	BLACK	<table border="1"> <tr><td>48</td><td></td><td>46</td><td></td><td>44</td><td>43</td><td></td><td></td><td>40</td><td>39</td><td>38</td><td></td><td>35</td><td></td></tr> <tr><td>34</td><td>33</td><td>32</td><td>31</td><td></td><td>29</td><td></td><td></td><td>26</td><td>25</td><td>24</td><td>23</td><td>21</td><td></td></tr> <tr><td></td><td></td><td></td><td></td><td></td><td></td><td></td><td></td><td></td><td></td><td></td><td></td><td>11</td><td></td></tr> <tr><td></td><td></td><td></td><td></td><td></td><td></td><td></td><td>8</td><td>7</td><td></td><td></td><td></td><td>3</td><td>1</td></tr> </table>	48		46		44	43			40	39	38		35		34	33	32	31		29			26	25	24	23	21														11									8	7				3	1				
48		46		44	43			40	39	38		35																																																							
34	33	32	31		29			26	25	24	23	21																																																							
												11																																																							
							8	7				3	1																																																						
(F73) AVAILABLE	NOT APPLICABLE	34576-7563	F	0	C	BLUE	<table border="1"> <tr><td>48</td><td>47</td><td>46</td><td>45</td><td>44</td><td></td><td></td><td></td><td>41</td><td>40</td><td>39</td><td>38</td><td>37</td><td>36</td><td></td></tr> <tr><td>34</td><td>33</td><td>32</td><td></td><td>30</td><td></td><td></td><td></td><td></td><td></td><td></td><td>24</td><td>23</td><td>21</td><td></td></tr> <tr><td></td><td></td><td></td><td></td><td></td><td></td><td></td><td></td><td>18</td><td>17</td><td>16</td><td>15</td><td>14</td><td>13</td><td>12</td></tr> <tr><td></td><td></td><td></td><td></td><td></td><td>10</td><td>9</td><td>8</td><td>7</td><td>6</td><td>5</td><td></td><td>3</td><td>2</td><td>1</td></tr> </table>	48	47	46	45	44				41	40	39	38	37	36		34	33	32		30							24	23	21										18	17	16	15	14	13	12						10	9	8	7	6	5		3	2	1
48	47	46	45	44				41	40	39	38	37	36																																																						
34	33	32		30							24	23	21																																																						
								18	17	16	15	14	13	12																																																					
					10	9	8	7	6	5		3	2	1																																																					

<b>QUALITY SYMBOLS</b> 	THIS DRAWING CONTAINS INFORMATION THAT IS PROPRIETARY TO MOLEX ELECTRONIC TECHNOLOGIES, LLC AND SHOULD NOT BE USED WITHOUT WRITTEN PERMISSION	
	EC NO: 115012 DRWN: TYE CHKD: REV: APPR: JDENG02	2017/03/27 2017/03/30
<b>GENERAL TOLERANCES (UNLESS SPECIFIED)</b> ANGULAR TOL ± ° 4 PLACES ± 3 PLACES ± 2 PLACES ± 1 PLACE ± 0 PLACES ± DRAFT WHERE APPLICABLE MUST REMAIN WITHIN DIMENSIONS	DIMENSION UNITS: MM SCALE: 1:1 DRWN BY: SKRAJENDRANA DATE: 2011/01/25 CHKD BY: DATE: APPR BY: SKRAJENDRANA DATE: 2016/10/24	  MX123 18/49/56 CKT HRNS CONN ASSY  PRODUCT CUSTOMER DRAWING
SERIES: 34576 MATERIAL NUMBER: SEE BOM TABLE CUSTOMER: GENERAL MARKET	DOCUMENT NUMBER: SD-34576-001 DOC TYPE: PSD DOC PART: 000 SHEET NUMBER: 19 OF 20	

STATUS	GM PART #	MATERIAL #	PART/MATERIAL REVISION	WIRE DRESS OPTION	KEY OPTION ▽ <sub>Fp</sub>	COLOR (TPA) ▽ <sub>Fp</sub>	NUMBERS INDICATE CAVITIES OPEN FOR CIRCUITS ▽ <sub>Fp</sub>																																																												
AVAILABLE	NOT APPLICABLE	34576-7573	F	0	G	BLUE	<table border="1"> <tr><td></td><td></td><td></td><td></td><td>52</td><td>51</td><td>50</td><td></td><td></td><td></td><td></td><td></td><td>45</td><td>43</td></tr> <tr><td></td><td></td><td></td><td></td><td></td><td></td><td></td><td></td><td></td><td></td><td>35</td><td>34</td><td>33</td><td>32</td><td></td></tr> <tr><td>28</td><td>27</td><td>26</td><td></td><td></td><td></td><td></td><td></td><td></td><td></td><td></td><td></td><td>18</td><td></td><td>15</td></tr> <tr><td>14</td><td>13</td><td>12</td><td></td><td></td><td></td><td></td><td></td><td></td><td>7</td><td>6</td><td></td><td>3</td><td></td><td>1</td></tr> </table>					52	51	50						45	43											35	34	33	32		28	27	26										18		15	14	13	12							7	6		3		1	
				52	51	50						45	43																																																						
										35	34	33	32																																																						
28	27	26										18		15																																																					
14	13	12							7	6		3		1																																																					
AVAILABLE	NOT APPLICABLE	34576-7583	F	0	G	BLUE	<table border="1"> <tr><td></td><td></td><td></td><td></td><td>52</td><td>51</td><td>50</td><td></td><td></td><td></td><td></td><td></td><td>45</td><td>43</td></tr> <tr><td></td><td></td><td></td><td></td><td></td><td></td><td></td><td></td><td></td><td></td><td></td><td></td><td>32</td><td></td><td></td></tr> <tr><td>28</td><td>27</td><td>26</td><td></td><td></td><td></td><td></td><td></td><td></td><td></td><td></td><td></td><td>18</td><td></td><td>15</td></tr> <tr><td>14</td><td>13</td><td>12</td><td></td><td></td><td></td><td></td><td></td><td></td><td>7</td><td>6</td><td></td><td>3</td><td></td><td>1</td></tr> </table>					52	51	50						45	43													32			28	27	26										18		15	14	13	12							7	6		3		1	
				52	51	50						45	43																																																						
												32																																																							
28	27	26										18		15																																																					
14	13	12							7	6		3		1																																																					
AVAILABLE	NOT APPLICABLE	34576-7593	F	0	G	BLUE	<table border="1"> <tr><td></td><td></td><td></td><td></td><td>52</td><td>51</td><td>50</td><td></td><td></td><td></td><td></td><td></td><td>45</td><td>43</td></tr> <tr><td></td><td></td><td></td><td></td><td></td><td></td><td></td><td></td><td></td><td></td><td>35</td><td>34</td><td>33</td><td>32</td><td></td></tr> <tr><td>28</td><td>27</td><td>26</td><td></td><td></td><td></td><td></td><td></td><td></td><td></td><td></td><td></td><td>18</td><td></td><td>15</td></tr> <tr><td>14</td><td>13</td><td>12</td><td></td><td></td><td></td><td></td><td></td><td></td><td>7</td><td>6</td><td></td><td>4</td><td>3</td><td>1</td></tr> </table>					52	51	50						45	43											35	34	33	32		28	27	26										18		15	14	13	12							7	6		4	3	1	
				52	51	50						45	43																																																						
										35	34	33	32																																																						
28	27	26										18		15																																																					
14	13	12							7	6		4	3	1																																																					
<b>F74</b> SALEABLE	NOT APPLICABLE	34576-7603	F	0	G	BLUE	<table border="1"> <tr><td>56</td><td>55</td><td></td><td></td><td>52</td><td>51</td><td>50</td><td></td><td></td><td></td><td></td><td></td><td>45</td><td>44</td><td>43</td></tr> <tr><td>42</td><td>41</td><td></td><td></td><td></td><td>37</td><td>36</td><td>35</td><td>34</td><td>33</td><td>32</td><td></td><td></td><td>30</td><td></td></tr> <tr><td>28</td><td>27</td><td>26</td><td></td><td>24</td><td></td><td>22</td><td></td><td>20</td><td>19</td><td></td><td></td><td></td><td>16</td><td>15</td></tr> <tr><td>14</td><td>13</td><td>12</td><td></td><td>10</td><td></td><td>8</td><td>7</td><td>6</td><td></td><td></td><td></td><td></td><td></td><td>1</td></tr> </table>	56	55			52	51	50						45	44	43	42	41				37	36	35	34	33	32			30		28	27	26		24		22		20	19				16	15	14	13	12		10		8	7	6						1
56	55			52	51	50						45	44	43																																																					
42	41				37	36	35	34	33	32			30																																																						
28	27	26		24		22		20	19				16	15																																																					
14	13	12		10		8	7	6						1																																																					

<b>QUALITY SYMBOLS</b> ▽ <sub>F</sub> = 0 ▽ <sub>E</sub> = 0 ▽ <sub>F</sub> = 0 ▽ = 0 ▽ <sub>C</sub> = 0 ⊠ = 0 ■ = 0 ▽ = 0	THIS DRAWING CONTAINS INFORMATION THAT IS PROPRIETARY TO MOLEX ELECTRONIC TECHNOLOGIES, LLC AND SHOULD NOT BE USED WITHOUT WRITTEN PERMISSION		GENERAL TOLERANCES (UNLESS SPECIFIED) ANGULAR TOL ± ° 4 PLACES ± 3 PLACES ± 2 PLACES ± 1 PLACE ± 0 PLACES ± DRAFT WHERE APPLICABLE MUST REMAIN WITHIN DIMENSIONS		DIMENSION UNITS <b>MM</b>	SCALE 	<b>molex</b> <sup>®</sup>  MX123 18/49/56 CKT HRNS CONN ASSY		
	EC NO: 115012 DRWN: TYE CHKD: JDENG02 REV APPR:	2017/03/27 2017/03/30	DATE 2016/07/13	DATE 2016/10/24	DATE 	DATE 	DATE 	DATE 	DATE 
<b>F74</b>		SERIES 34576	MATERIAL NUMBER SEE BOM TABLE	CUSTOMER GENERAL MARKET	DOCUMENT NUMBER SD-34576-001		DOC TYPE PSD	DOC PART 000	SHEET NUMBER 20 OF 20