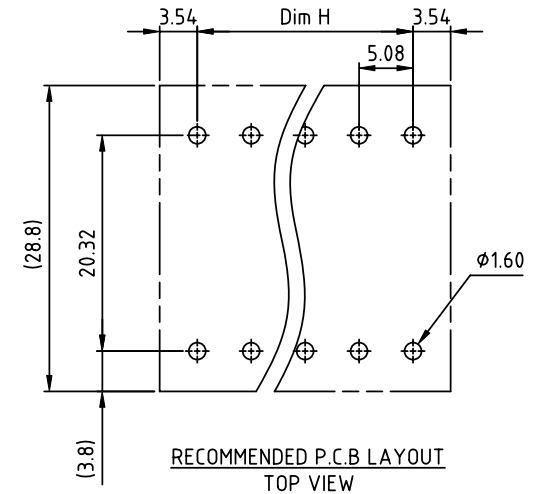
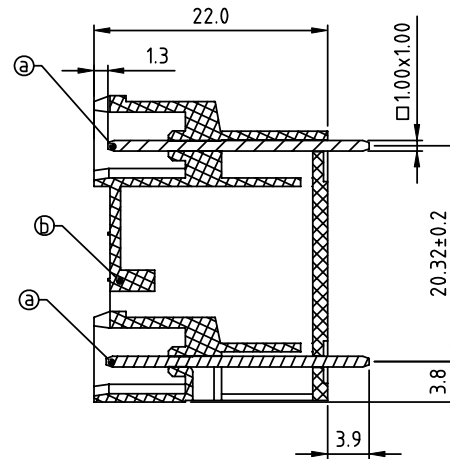
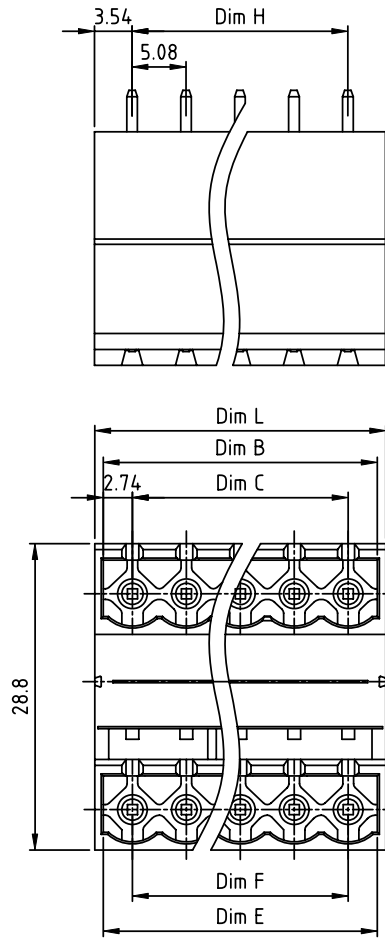


PRODUCT NUMBER	PITCH
VLxx51x000J0G	5.08 mm



- Material:
- Item② Pin: Copper Tin plated
 - Item④ Terminal(housing): Thermoplastic (UL94V-0)
- Electrical: cULus
- Voltage rating: 300V
 - Current rating: 20A
 - Withstanding Voltage: 1.6 KV
 - Operating temperature: -40°C to +115°C
 - Soldering temperature: 260°C±5°C/5 Sec
 - Safety Approval:

PART NO.: VL xx 5 1 x 0 00J0 G

N=Number of poles
 Dim L=(N/2-1)×5.08+7.08 Dim E=N/2×5.08+0.4
 Dim B=N/2×5.08+0.4 Dim F=(N/2-1)×5.08
 Dim C=(N/2-1)×5.08 Dim H=(N/2-1)×5.08

Poles	Tolerance
2×2-2×6p	±0.15
2×7-2×12p	±0.25
2×13-2×18p	±0.35
2×19-2×24p	±0.40

	Solid block	No. of poles	Color	RoHS compliant (lead<4%) In copper Alloy
04	2x2poles	2	Black (RAL9005)	
06	2x3poles	3	Red (RAL3001/D)	
...	...	4	Orange(RAL2011/P)	
...	...	5	Yellow(RAL1018/A)	
48	2x24poles	6	Green(RAL6018/T)	
		8	Blue (RAL5015/A)	
		9	Grey(RAL7035/D)	
		C	White(RAL1102)	
			Green(RAL6018/U)	

mat'l. code				surface ASME Y14.5	tolerance ASME Y14.5	projection	product family	
ltr ecn no dr date				tolerances unless otherwise specified			TERMINAL BLOCK	
				angles	X.±0.5	MM	title	
				fin	X.X±0.3		TERMINAL BLOCK	
				X*±1*	X.XX±0.1	scale	PLUGGABLE SOCKET,VERTICAL	
				dr	EVIN ZHONG 042814		dwg no	
				enqr	EVIN ZHONG 042814		sheet 1 of 1	
				chr	HANKE FENG 042814		size	
				appd	SHI JUN 042814		A4	
sheet index	revision sheet	A	1					type
								CUSTOMER Drawing