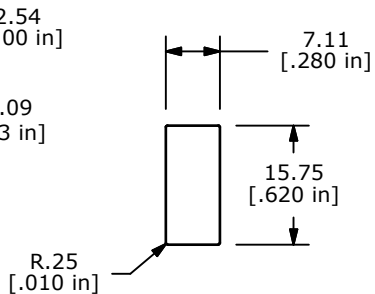
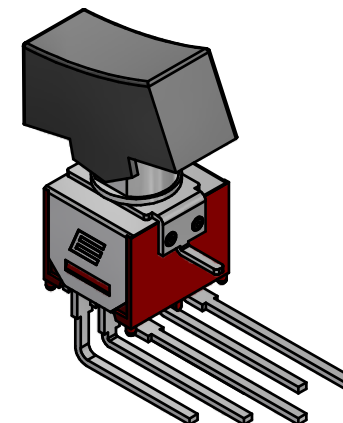
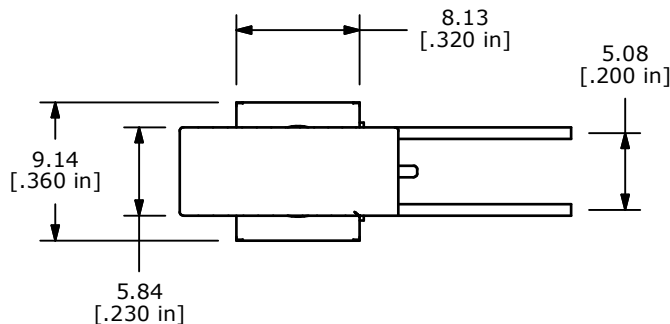


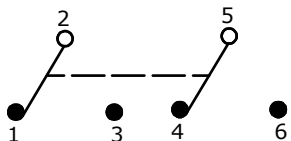
P.C. LAYOUT



PANEL MOUNTING



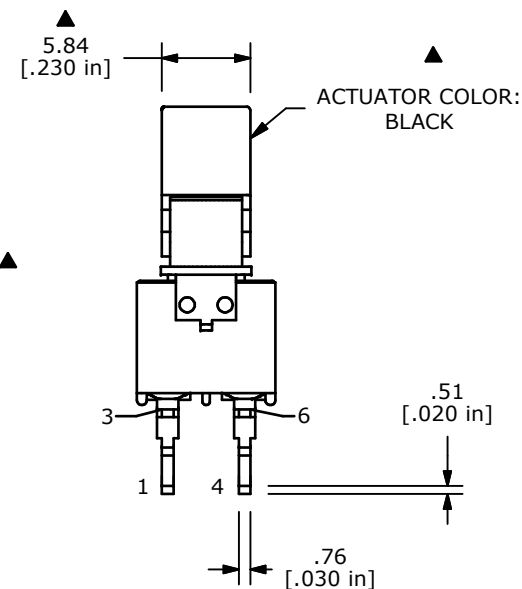
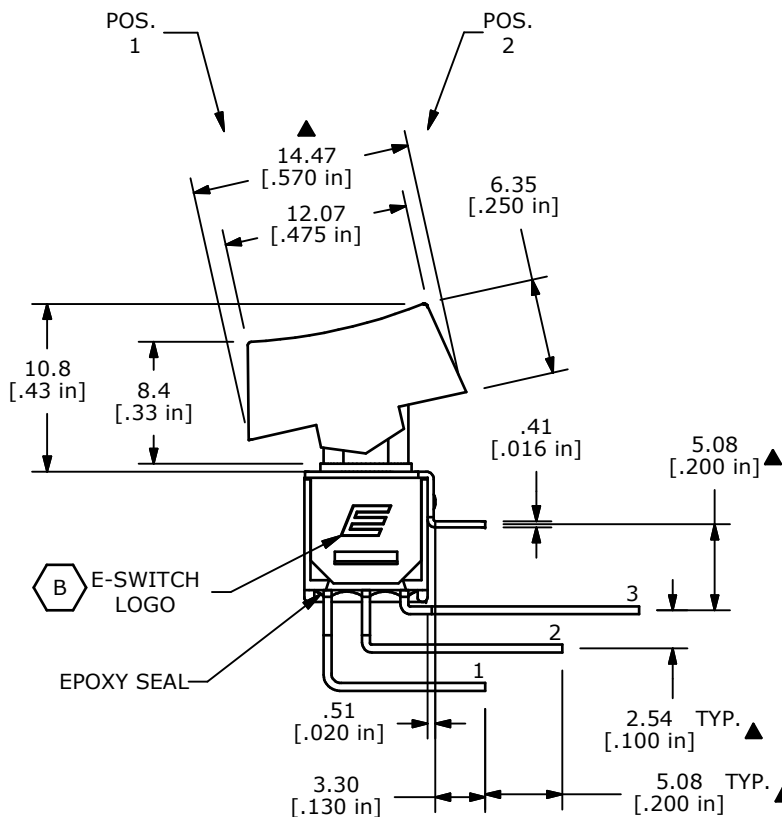
SWITCH FUNCTION	
POS. 1	POS. 2
ON	ON
2-3, 5-6	2-1, 5-4



CIRCUIT: DPDT

NOTE:

1. ALL DIMENSIONS IN MM [INCH]
2. GENERAL TOLERANCE: X.X=±0.4  
X.XX=±0.25
3. TERMINAL NUMBERS FOR REF ONLY
- ▲ 4. PLATING MATERIAL: SILVER
5. RATING: 1A @250VAC  
3A @120VAC (or 28VDC)
6. CONTACT RESISTANCE: 20 mΩ MAX.
7. ELECTRIC LIFE: 30,000 MAKE-AND-BREAK CYCLES AT FULL LOAD.
8. INSULATION RESISTANCE: 1,000 MΩ MIN.
9. DIELECTRIC STRENGTH: 1,000 V RMS @SEA LEVEL.
10. OPERATING TEMP.: -30°C to 85°C
11. ▲ DENOTES CRITICAL PARAMETER.
12. 2002/95/EC (ROHS) COMPLIANT



B E-SWITCH LOGO  
EPOXY SEAL



B	21285	LOGO LOCATION, DRAWING CLEANUP	10/29/13	EBP
A	18825	Release For Production	3/11/10	BLR
REV	PCR NO	DESCRIPTION	DATE	BY

TITLE 400MDP1R6BLKM7QE				
SCALE 2:1	DATE 3/11/2010	DR BLR	DWG T408005	REV B

THE INFORMATION CONTAINED IN THIS DOCUMENT IS PROPRIETARY TO E-SWITCH AND IS NOT TO BE COPIED OR TRANSFERRED