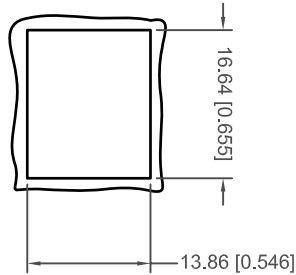
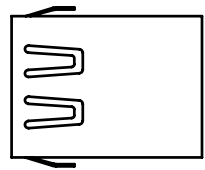
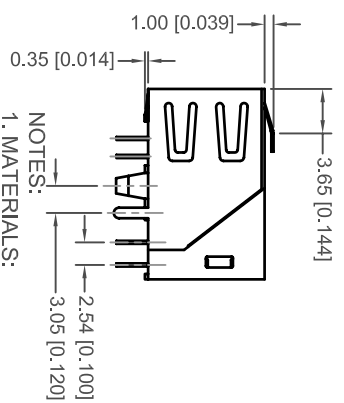
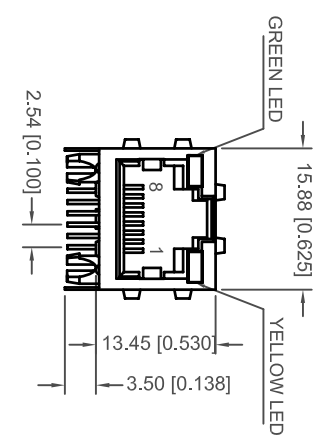


TOLERANCE UNLESS OTHERWISE SPECIFIED IN MM:	ANGLE	3°
0	± 0.50	
0.0	± 0.38	
0.00	± 0.25	
0.000	± 0.10	

THIS IS A C.A.D. GENERATED DRAWING
DO NOT MAKE MANUAL REVISIONS TO MASTER.



RECOMMENDED
PANEL CUTOUT DIMENSION

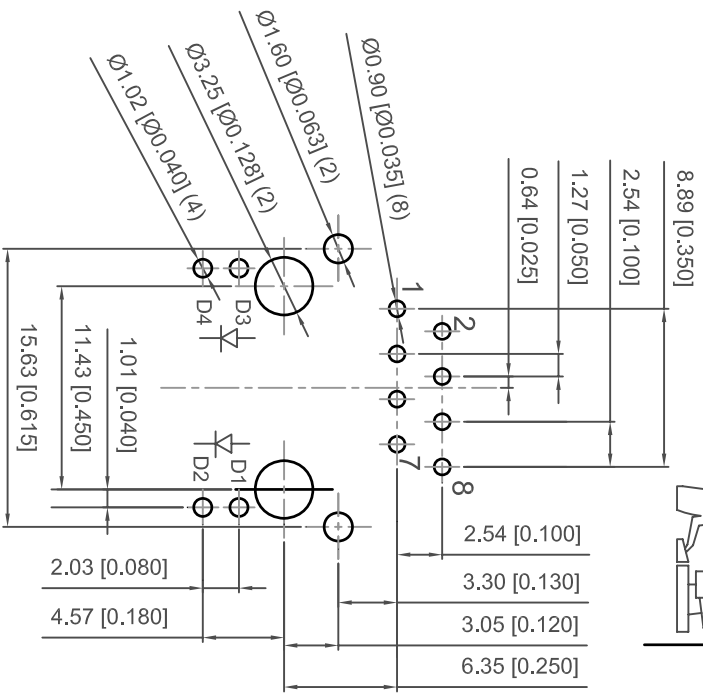


NOTES:

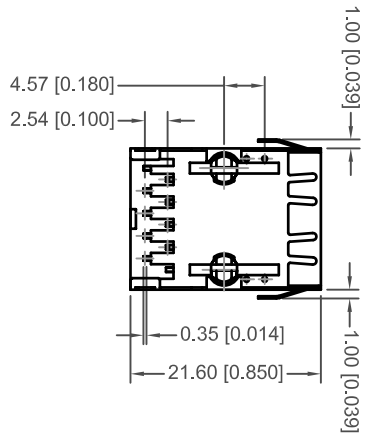
1. MATERIALS:
HOUSING: HIGH TEMPERATURE NYLON, UL94 V-0, COLOR: BLACK
CONTACTS: 0.35MM PHOSPHOR BRONZE PLATED WITH GOLD PLATING AND TIN IN SOLDER AREA

PART NO	GOLD PLATING THICKNESS
A64-112-231N411	GOLD FLASH PLATING
A64-113-231N411	15 MICRO INCHES OF GOLD
A64-114-231N411	30 MICRO INCHES OF GOLD

- SHIELD: 0.20MM COPPER ALLOY WITH NICKEL PLATING
 2. OPERATING TEMPERATURE: 0°C TO +70°C
 3. MATE WITH MODULAR PLUG CONFORMING TO FCC PART 68, SUBPART F.
 4. DIMENSION: MM [INCHES]



RECOMMENDED P.C.B. LAYOUT
TOLERANCE: ±0.05[±0.002]



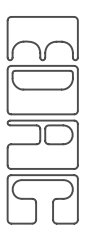
RJ45 MAGNETIC JACK WITH LED, 8P, 8C
SHIELDED/10/100 Mbps FILTER

ACAD REFERENCE NO.: A64-112-231N411	DATE: JAN.24/2011
DRAWN: R.STA.MONICA	DATE:
CHECKED:	DATE:
PART NUMBER	

SEE NOTE	SHEET 1 OF 2
DRAWING NUMBER	ISSUE
A64-112-231N411	1



THIS SERIES FULLY CONFORMS TO THE EUROPEAN UNION DIRECTIVES 2002/95/EC AND 2002/96/EC FOR ROHS COMPLIANCY.



EDAC INC
TORONTO, ONTARIO
CANADA

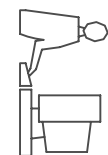
THESE DRAWINGS AND SPECIFICATIONS ARE THE PROPERTY OF EDAC INC. AND SHALL NOT BE REPRODUCED OR COPIED OR USED AS THE BASIS FOR THE MANUFACTURE OR SALE OF APPARATUS WITHOUT WRITTEN PERMISSION.

YOUR CONNECTION TO QUALITY & SERVICE

ELECTRICAL CIRCUIT:

TOLERANCE UNLESS OTHERWISE SPECIFIED IN MM:		ANGLE	3°
0	+0.50		
0.00	+0.38		
0.00	+0.25		
0.000	+0.10		

THIS IS A C.A.D. GENERATED DRAWING
DO NOT MAKE MANUAL REVISIONS TO MASTER.



ISSUE NUMBER
ORIGINAL

1

TEST NOTES:(25±5°C)
1.TR:(100KHZ,0.1V);

PINS:(P1-P2):(J1-J2)=1:1±3%

PINS:(P7-P8):(J3-J6)=1:1±3%

2.LX:(100KHZ,100mV,8mA, DC Bias)

PINS:(P1,P2),(P7,P8)=350uH MINIMUM

3.DCR:

PINS:(P1-P2),(J1-J2),(J3-J6)= 1.0 OHMS MAXIMUM

PINS:(P7-P8)= 1.2 OHMS MAXIMUM

4.HIPOT:

PINS:(P7,P6,P8)TO(J3,J6)=1500VAC FOR 2 SECONDS

PINS:(P1,P3,P2)TO(J1,J2)=1500VAC FOR 2 SECONDS

5.INSERTION LOSS:

-1.0dB MAXIMUM AT 1MHZ TO 100MHZ;

6.RETURN LOSS:

-20dB MINIMUM AT 1MHZ TO 30MHZ;

-15dB MINIMUM AT 30MHZ TO 60MHZ

-10dB MINIMUM AT 60MHZ TO 80MHZ

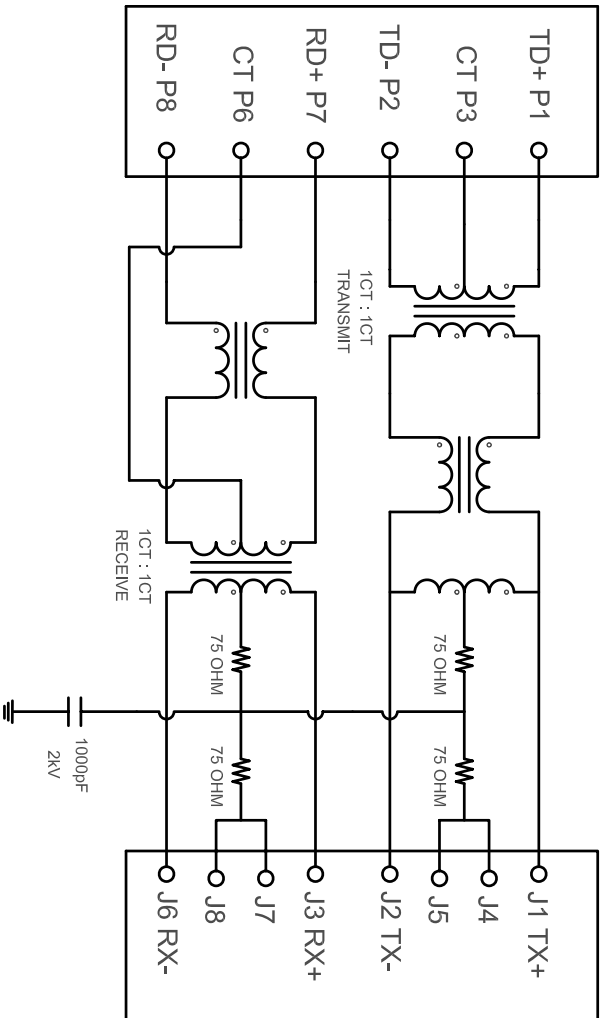
7.CROSS TALK:

-30dB MINIMUM AT 1MHZ TO 100MHZ

8.COMMON TO COMMON MODE REJECTION:

-30dB MINIMUM AT 1MHZ TO 100MHZ

CONNECTOR SOLDER SIDE



RJ45 CONTACT SIDE

Color	Lens Color	Vf(V) @20mA		Iv(mcd) @10mA		Viewing angle
		Min	Max	Min	Typ	
Yellow	Yellow Diffused	1.7	2.8	3.0	6.0	116
Green	Green Diffused	1.7	2.8	3.5	6.0	116

LED CIRCUIT:



**RJ45 MAGNETIC JACK WITH LED, 8P, 8C
SHIELDED/10/100 Mbps FILTER**

ACAD REFERENCE NO.: A64-112-231N411

DRAWN: R.STA.MONICA DATE: JAN.24/2011

CHECKED: DATE:

PART NUMBER

SEE NOTE

DRAWING NUMBER

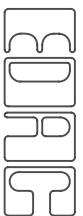
A64-112-231N411

ISSUE

1



THIS SERIES FULLY CONFORMS TO THE
EUROPEAN UNION DIRECTIVES 2002/95/EC
AND 2002/96/EC FOR ROHS COMPLIANCY.



EDAC INC
TORONTO, ONTARIO
CANADA

YOUR CONNECTION TO QUALITY & SERVICE

THESE DRAWINGS AND SPECIFICATIONS
ARE THE PROPERTY OF EDAC INC. AND
SHALL NOT BE REPRODUCED OR COPIED
OR USED AS THE BASIS FOR THE
MANUFACTURE OR SALE OF APPARATUS
WITHOUT WRITTEN PERMISSION.