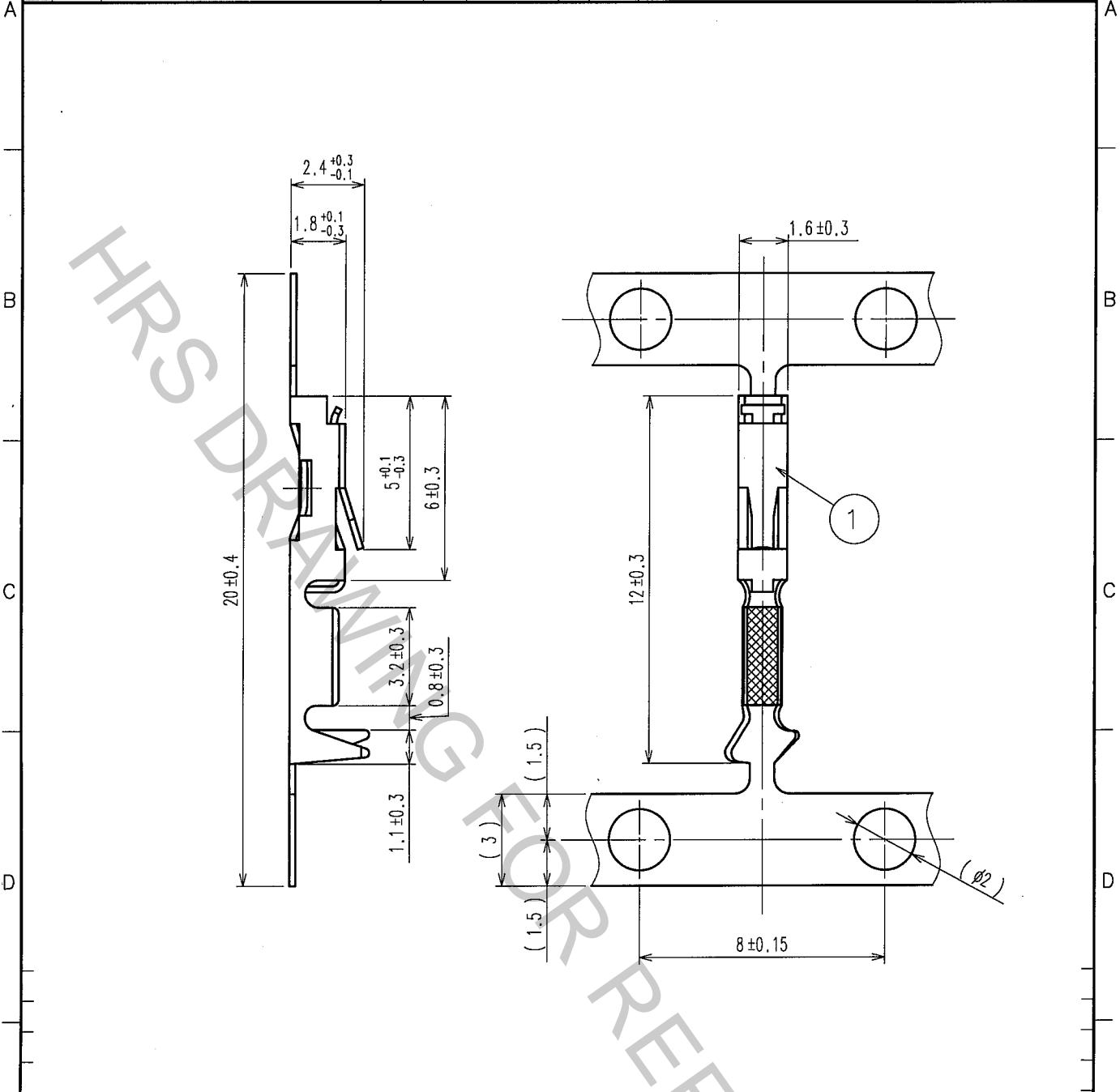


Oct.1.2018 Copyright 2018 HIROSE ELECTRIC CO., LTD. All Rights Reserved.
 In case that the application demands a high level of reliability, such as automotive,
 please contact a company representative for further information.

1					2					3					4				
COUNT	DESCRIPTION OF REVISIONS				BY	CHKD	DATE	COUNT	DESCRIPTION OF REVISIONS				BY	CHKD	DATE				
△							..	△							..				
△								△							..				
△								△							..				



NOTE 1 THE DIMENSIONS IN PARENTHESES ARE FOR REFERENCE.

1	PHOSPHOR BRONZE	CONTACT AREA:GOLD 0.2μ m min. UNDER PLATING:NICKEL 1μ m min.
NO.	MATERIAL	FINISH, REMARKS

CODE NO. (OLD) CL	DRAWN A. SUZUKAWA '06.04.12	DESIGNED <i>H. Nakamura</i> '06.04.17	CHECKED <i>K. Ogasawara</i> '06.04.17	APPROVED <i>H. Okawa</i> '06.04.17	RELEASED
----------------------	-----------------------------------	---	---	--	----------

DRAWING NO. EDC4-016841	PART NO. HIF3-2428SCFA
UNITS mm	CODE NO. CL562-0247-0
HRS HIROSE ELECTRIC CO., LTD.	

TO
PCK