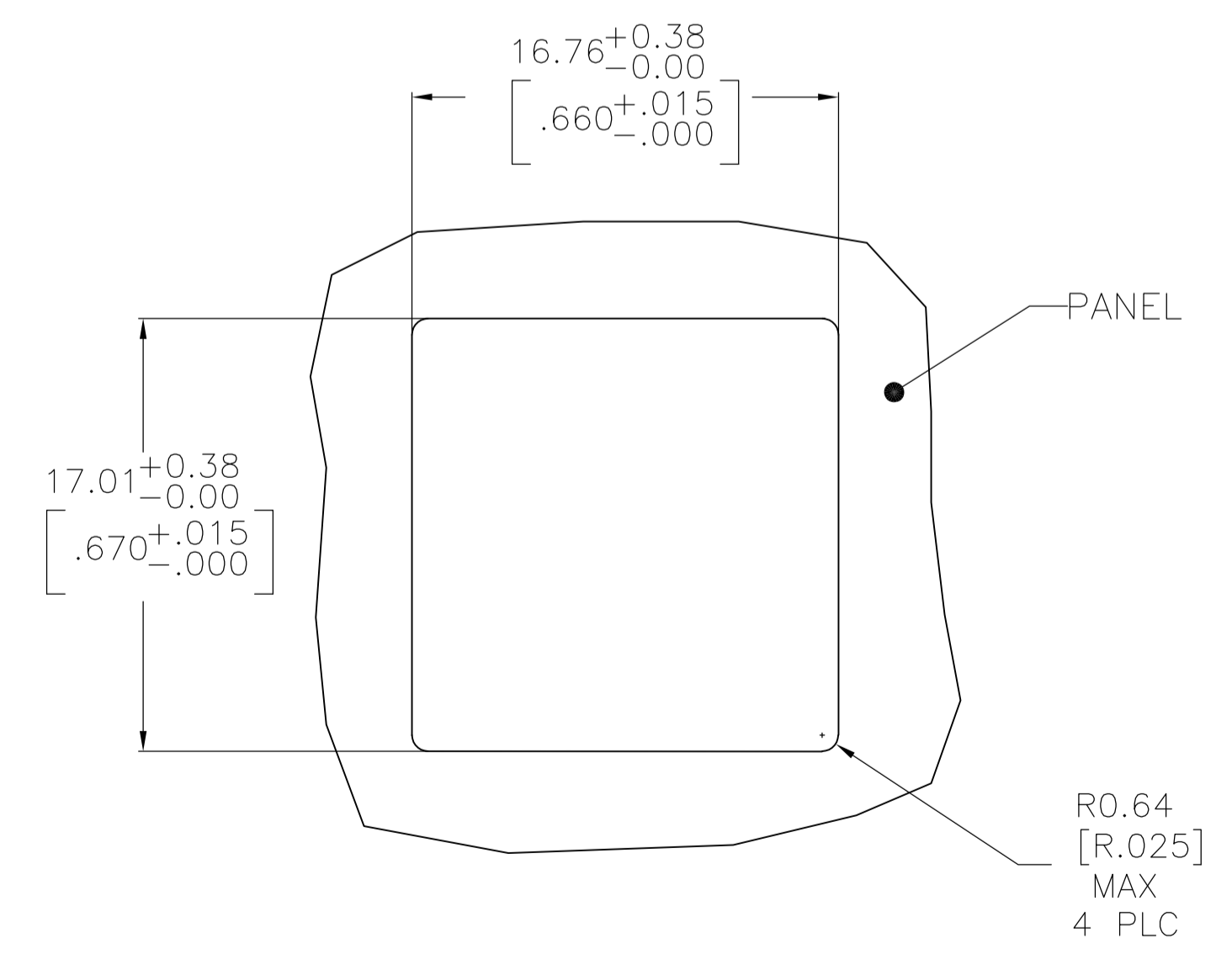


RECOMMENDED PRINTED CIRCUIT BOARD LAYOUT
 COMPONENT SIDE SHOWN



RECOMMENDED PANEL CUTOUT

- MATERIAL:
 HOUSING – POLYESTER MOLDING COMPOUND, COLOR: BLACK
 TERMINALS – 0.35[.0138] THICK PHOS BRONZE PLATED WITH 1.27µm[.000050] MIN THICK GOLD IN LOCALIZED AREA AND 3.81µm[.000150] MIN THICK MATTE TIN IN SOLDER AREA OVER 1.27µm[.000050] MIN THICK NICKEL UNDERPLATE
 SHIELD – COPPER ZINC ALLOY PLATED WITH 3.0µm[.000120] MIN THICK REFLOWED TIN.

2 CAVITY CONFORMS TO FCC RULES AND REGULATIONS PART 68 AND REA BULLETIN 345-81, PE-76 SPECIFICATION FOR MODULAR TELEPHONE HARDWARE.

6368115-1
 PART NO

THIS DRAWING IS A CONTROLLED DOCUMENT.		DIN L VARELA - DOCKS 15JUN2005	Tyco Electronics Corporation Harrisburg, PA 17105-3608	
DIMENSIONS: mm [INCHES]		CHK J. WESTMAN 15JUN2005	APVD S. FLICKINGER 15JUN2005	
TOLERANCES UNLESS OTHERWISE SPECIFIED:		NAME MODULAR JACK ASSEMBLY, TOP ENTRY, 8 POSITION, SHIELDED, WITH PANEL STOPS, PCB AND PANEL GROUNDS (IR COMPATIBLE)		
0 PLC ± -	1 PLC ± -	PRODUCT SPEC 108-1163		
2 PLC ± -	3 PLC ± 0.13(.005)	APPLICATION SPEC 114-2048		
4 PLC ± -	ANGLES ± -	SIZE A1	CAGE CODE 00779	DRAWING NO 6368115
MATERIAL SEE NOTE 1	FINISH SEE NOTE 1	WEIGHT -	SCALE 4:1	SHEET 1 OF 1
CUSTOMER DRAWING		REV C		