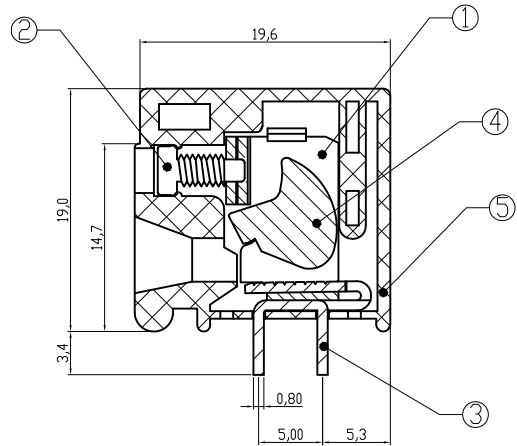
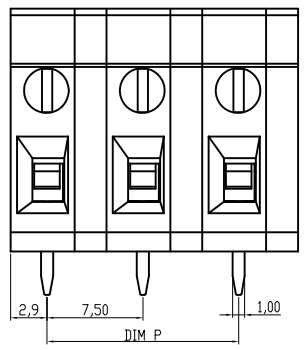
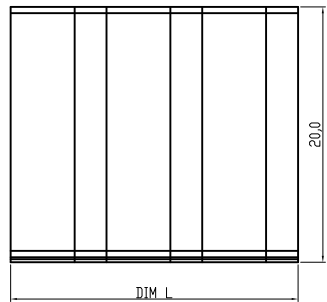


A
B
C
D
E
F
G
H

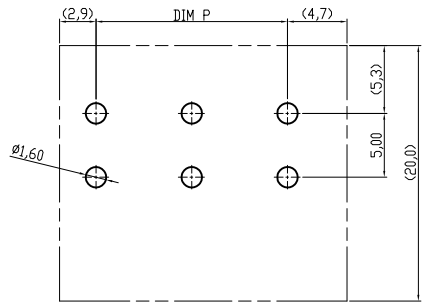


Material

- ① Terminal body(metal housing): steel stamped Zinc plating
- ② Terminal screw: Steel Zinc plating "-" slot type
- ③ Contacts: Brass,Tin plated
- ④ Firm wire chunk: steel Zinc plating
- ⑤ Insulator (housing): Thermoplastic (UL94V-0) , GREEN

Electrical cULus

Voltage rating: 300VAC
 Current rating: 20A
 Wire range:
 Solid wire(AWG): 12-22
 Stranded wire(AWG): 12-22
 Torque(Lb-In): 2.4
 Screw: M2.5
 Wire strip length: 10-11mm
 Withstanding Voltage: 1.6KV
 Operating temperature: -40°C to +115°C
 Soldering temperature: 250°C±10°C/5 Sec
 Safety Approval:



DIMENSION

L	Nx7.5
P	(N-1)x7.5

N=Number of poles

Poles	Tolerance	
	DIM L	DIM P
2p-6p	±0.20	±0.15
7p-12p	±0.25	±0.20
13p-18p	±0.30	±0.25
19p-24p	±0.40	±0.30

RECOMMENDER PCB LAYOUT

RoHS compliant

Scale	1:1					Date	Name	Customer-No.
TOLERANCE					Drawn	19.04.2010	Alex	
X.	±0.50				Approved	19.04.2010	Hellwig	ASSMANN WSW-No. A-TB750-TRxxH
X.X	±0.30							
X.XX	±0.10							Drawing-No. ASS 4096 CO
DIM	TOL							
X.°	±1°							rev00
		①	Drawn	19.04.2010	Alex			
Angle	TOL	Id.	Modification	Date	Name			Sheet

