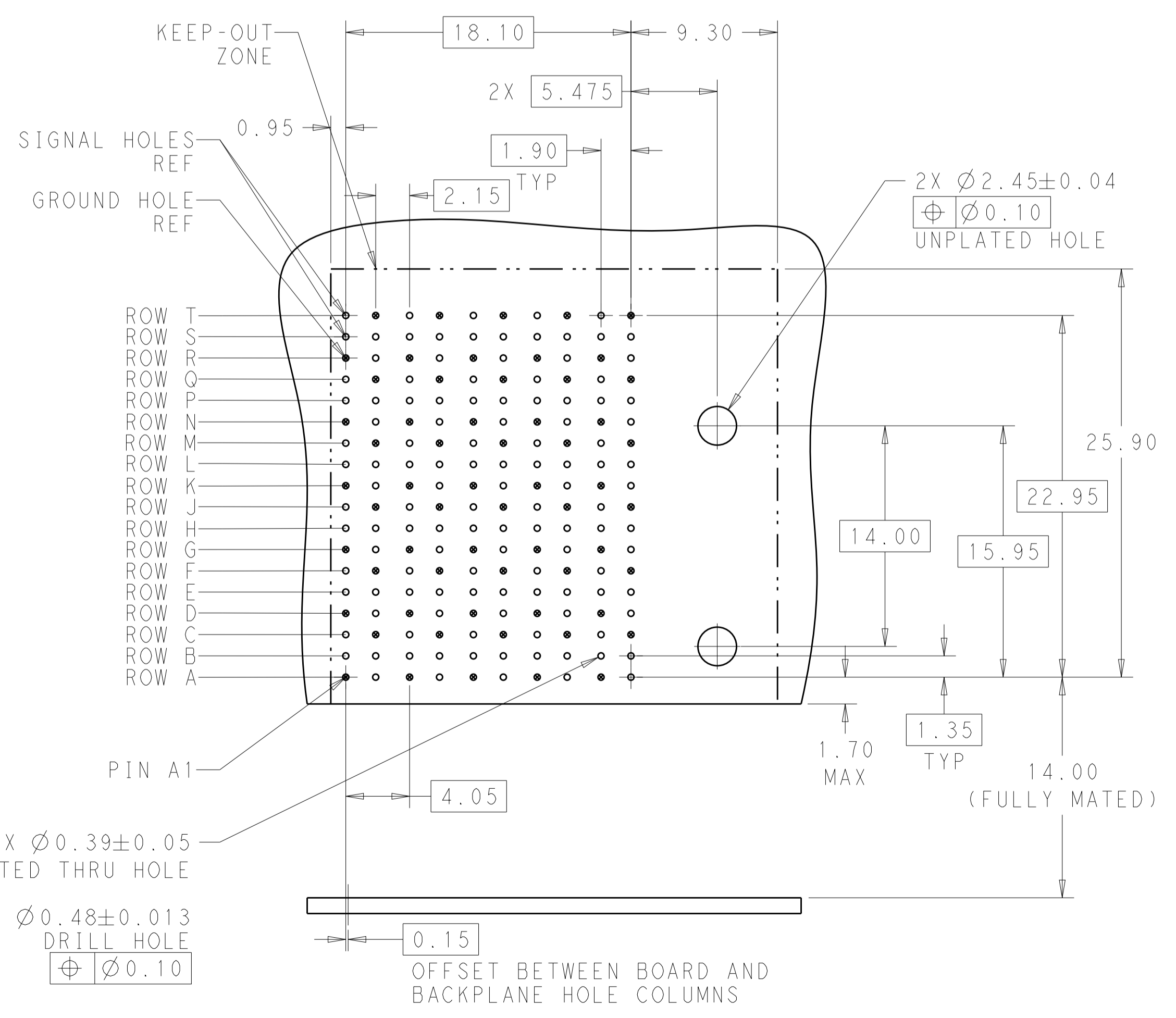
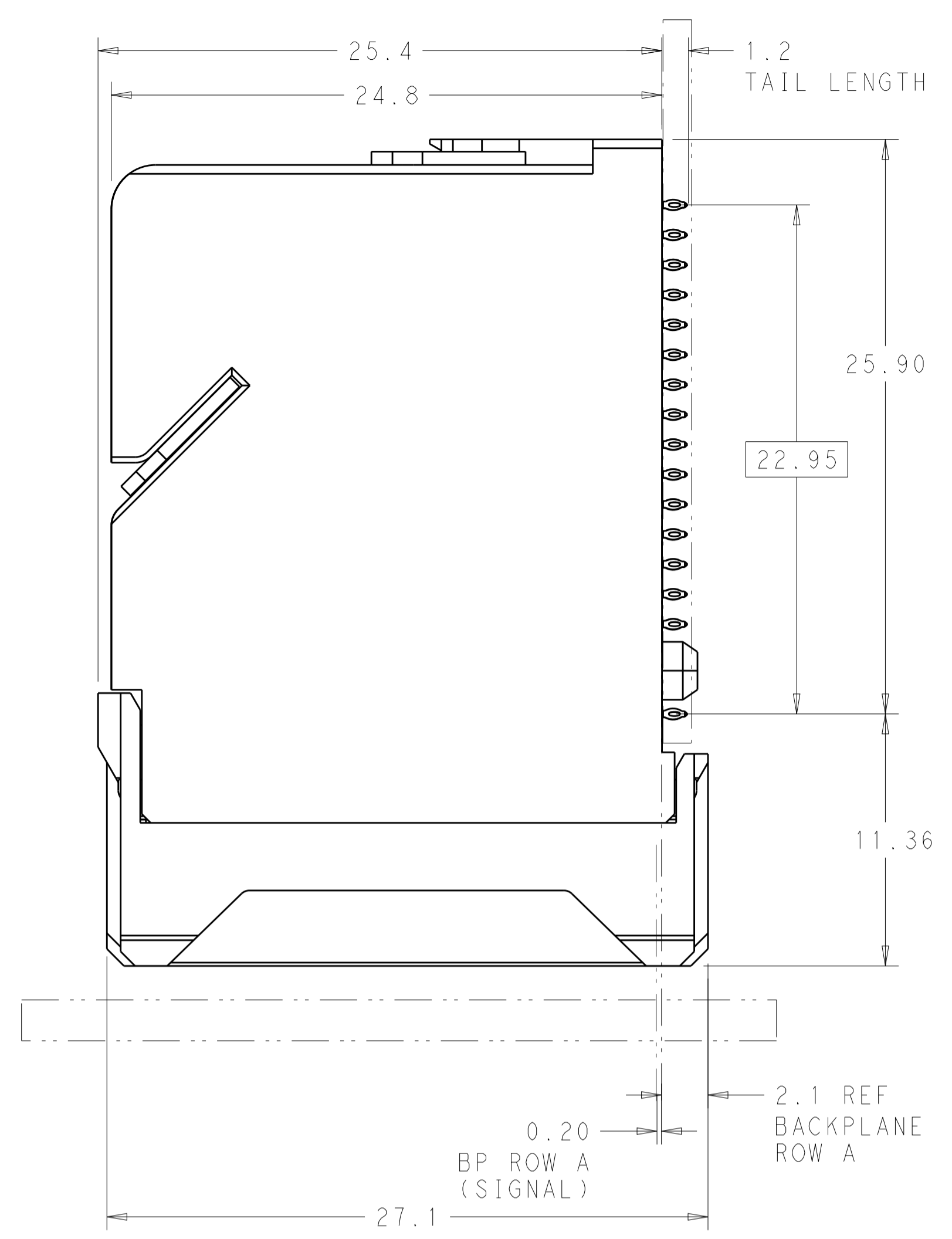
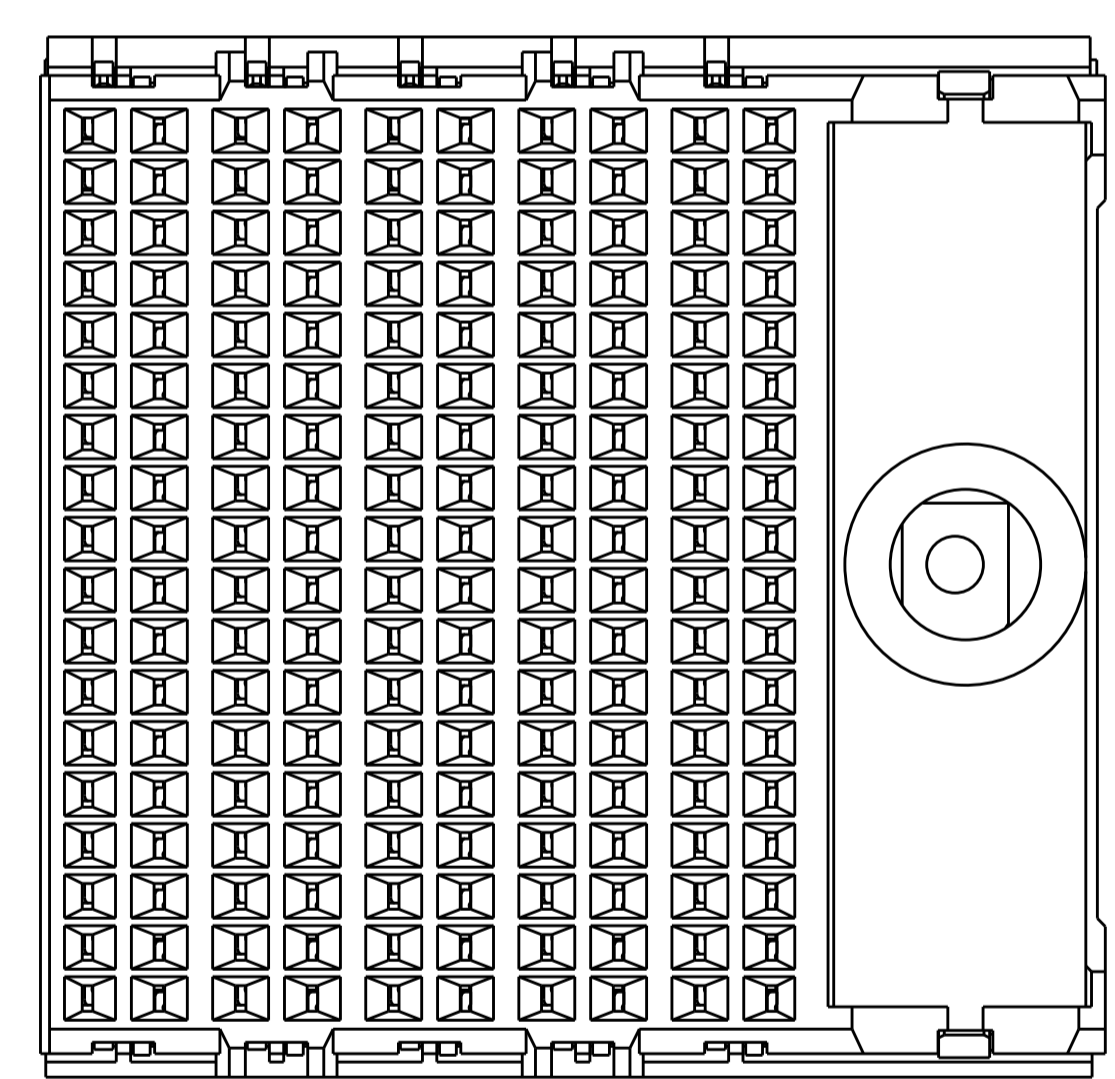
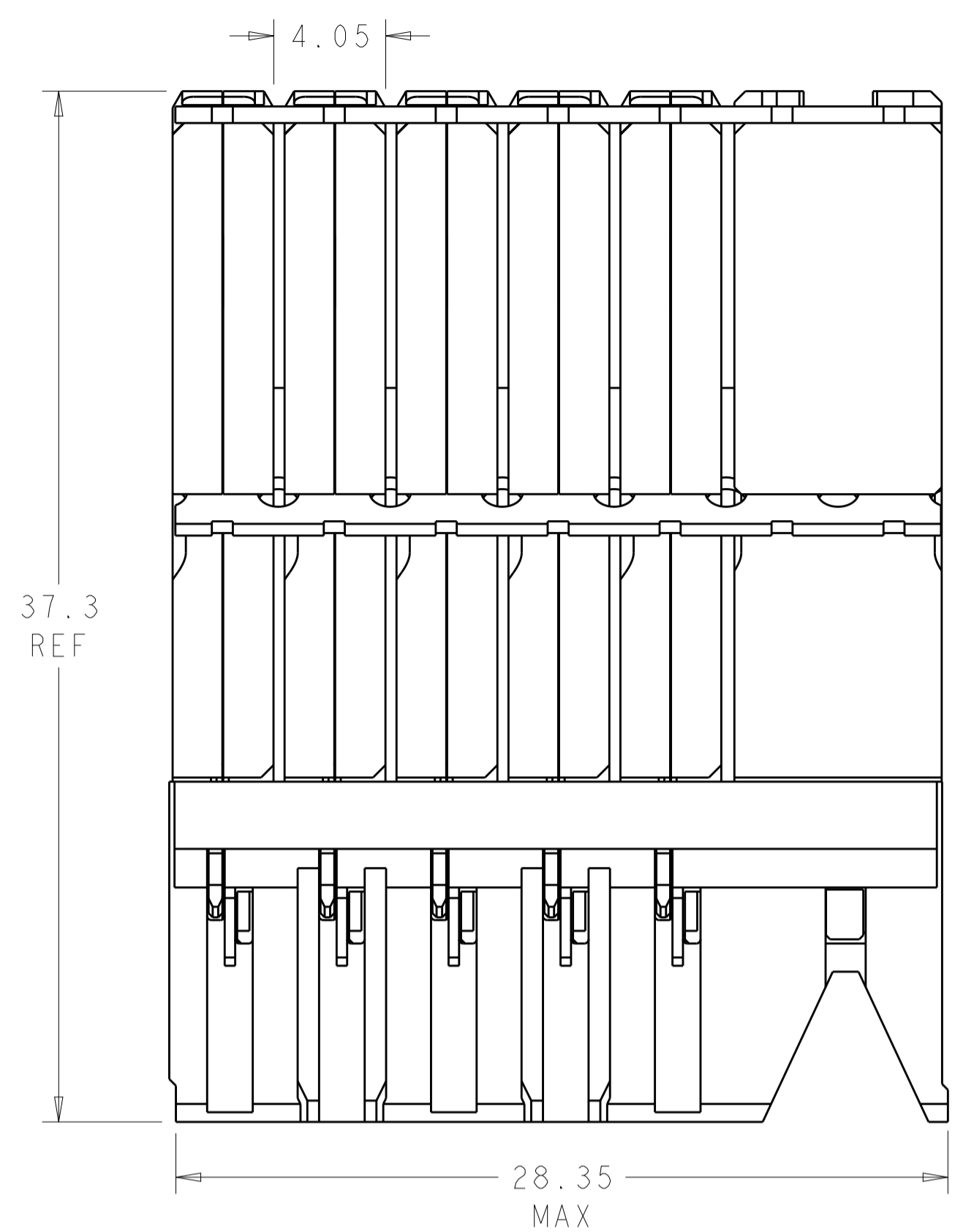


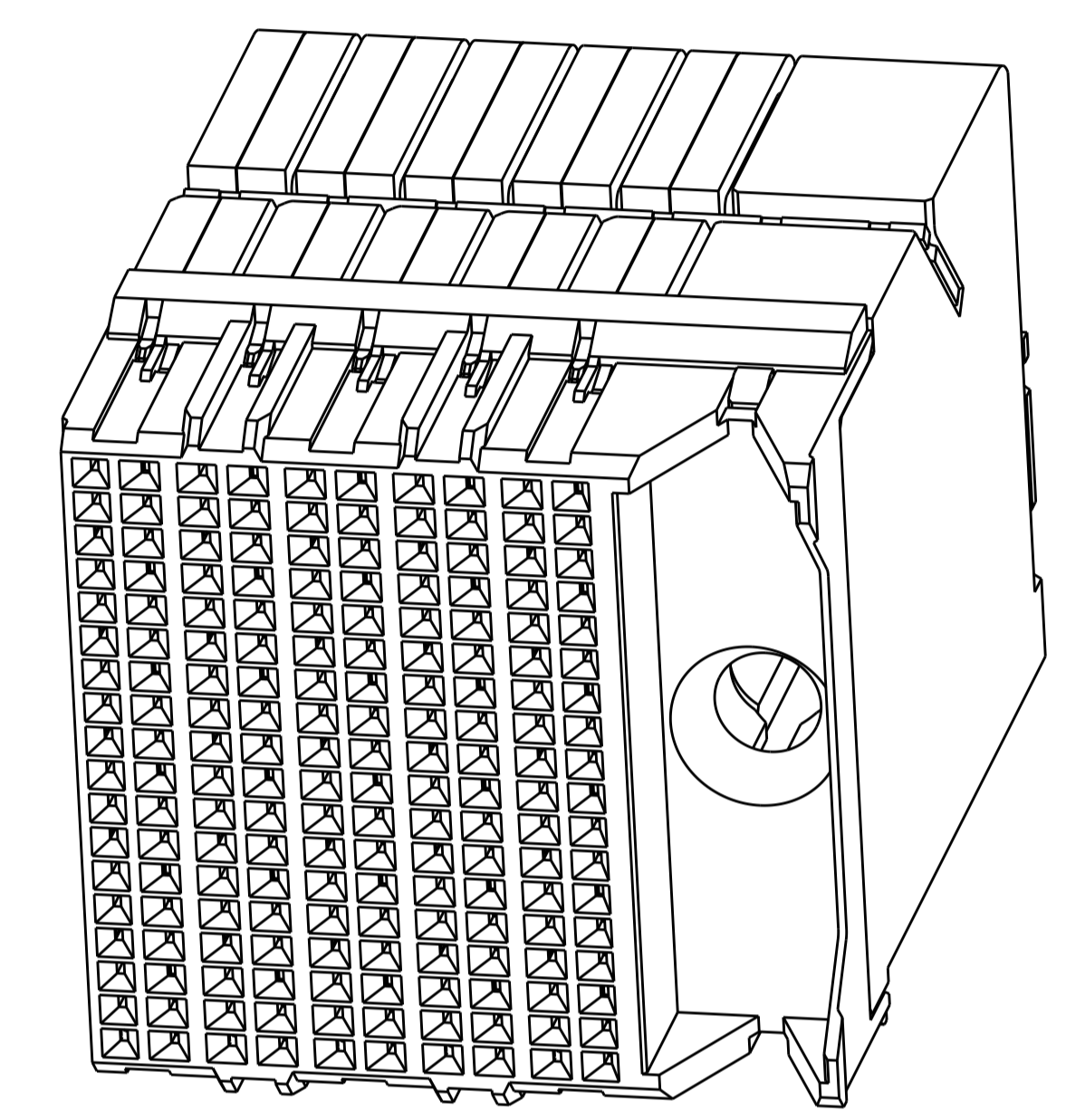
LOC		DIST		REVISIONS			
AD	00	P	LTN	DESCRIPTION	DATE	DWN	APVD
		C		REVISED PER ECO-15-001491	09MAR2015	AP	DD



180X $\varnothing 0.39 \pm 0.05$
 PLATED THRU HOLE
 180X $\varnothing 0.48 \pm 0.013$
 DRILL HOLE
 $\varnothing 0.10$

RECOMMENDED PCB LAYOUT
 MIN BOARD THICKNESS 1.0

- ⚠ MATERIAL:
 HOUSING: LCP, GLASS FILLED, UL94V-0.
 TERMINALS: HIGH PERFORMANCE COPPER ALLOY.
- ⚠ FINISH:
 30 μ m SELECTIVE GOLD IN CONTACT AREA. SELECTIVE TIN
 ON PCB TAILS, NICKEL OVERALL.
- 3. CONNECTORS SUPPLIED WITH MOUNTING SCREWS.



SCALE 4:1

REFER TO WWW.TE.COM
 FOR PRODUCT AVAILABILITY

NONE	⚠	2132719-1
KEY POSITION	FINISH	PART NUMBER
TE TE Connectivity		
DWN: 11MAY2011 CHK: D. DIXON 11MAY2011 APVD: D. DIXON 11MAY2011		NAME: IMPACT, ORTHOGONAL, 6 PAIR, DAUGHTERCARD, 10 COLUMN, RIGHT GUIDED, SIGNAL MODULE, 0.39 EYELET
DIMENSIONS: mm TOLERANCES UNLESS OTHERWISE SPECIFIED: 0 PLC ± 1 PLC ±0.25 2 PLC ±0.15 3 PLC ± 4 PLC ± ANGLES ±		SIZE: CAGE CODE DRAWING NO: A100779 ©=2132719
MATERIAL: SEE TABLE		RESTRICTED TO: -
CUSTOMER DRAWING		SCALE: 5:1 SHEET 1 OF 1 REV C