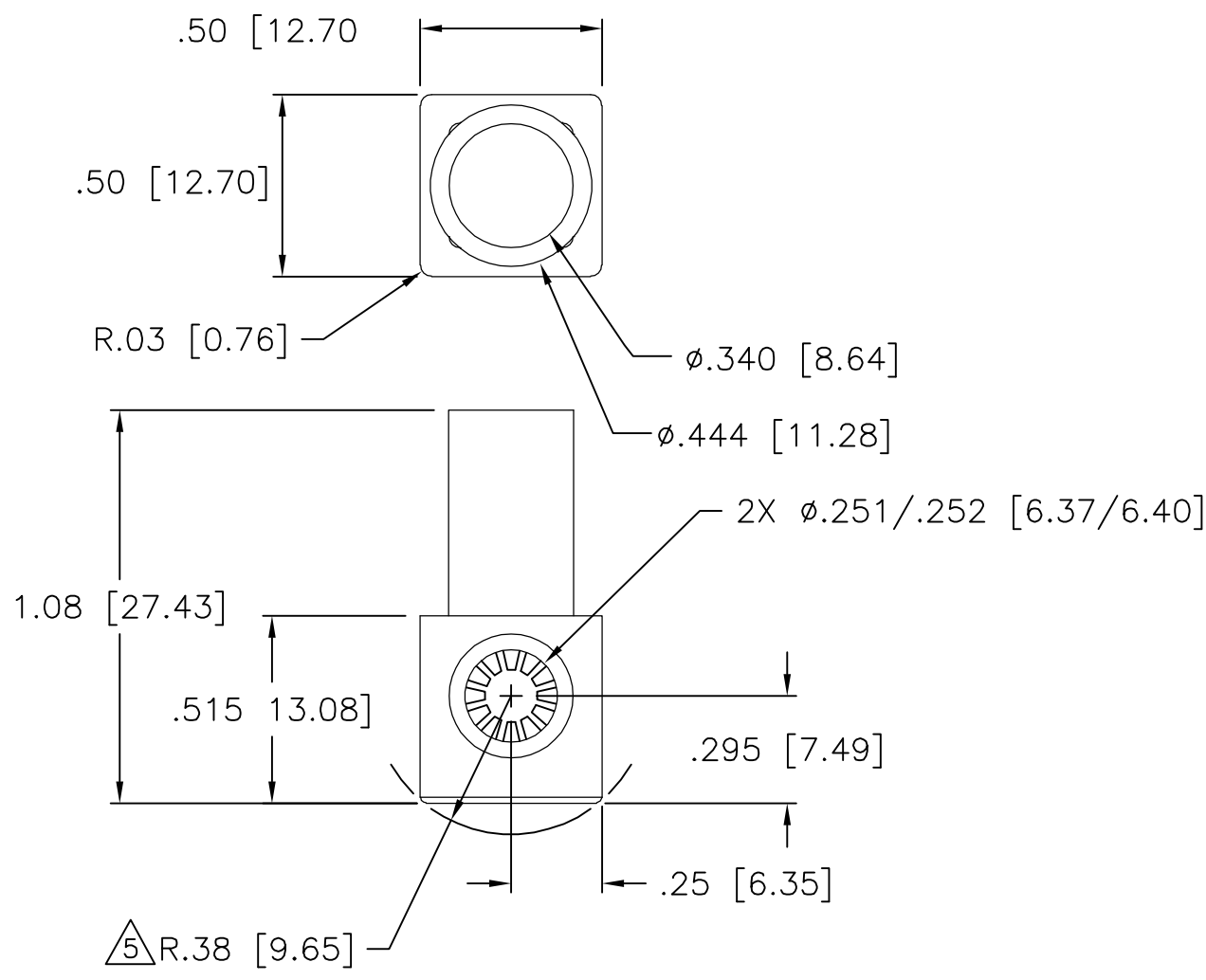


THIS DRAWING IS UNPUBLISHED. RELEASED FOR PUBLICATION  
 © COPYRIGHT BY TYCO ELECTRONICS CORPORATION. ALL RIGHTS RESERVED.

LOC	DIST	REVISIONS					
GP	00	P	LTR	DESCRIPTION	DATE	DWN	APVD
			A	RELEASED	02MAR06	RG	MP



- 6. FOR TERMINATION REFER TO 1926079-1
- 5 ROTATION ARC.
- 4. FINISH:  
 SOCKET HOUSING - SILVER PLATED .000200 MIN THK.  
 OVER ELECTROLESS NICKEL PLATE .000040 MIN THK.  
 CROWN - GOLD PLATED .000030 MIN THK OVER  
 ELECTROLESS NICKEL PLATE .000040 MIN. THK
- 3. MATERIAL:  
 CROWN CONTACT - BERYLLIUM COPPER  
 SOCKET HOUSING - TELLURIUM COPPER ALLOY  
 INSULATOR - THERMOPLASTIC, 94V-0, COLOR PER TABLE
- 2. ITEMS PROVIDED TO THIS SPECIFICATION SHALL BE IDENTIFIED ON THE CONTAINER WITH THE FOLLOWING INFORMATION:  
 PART NUMBER AND DATE CODE OF MANUFACTURE.
- 1. PART NUMBER CHANGES AND/OR DESIGN CHANGES AFFECTING ITEM INTERCHANGEABILITY REQUIRE PRIOR TYCO APPROVAL AND AUTHORIZATION BY REVISION TO THIS DRAWING.

RED	6648236-2
BLACK	6648236-1
COLOR	PART NUMBER

THIS DRAWING IS A CONTROLLED DOCUMENT.		DWN R.GRZYBOWSKI 02MAR2006	Tyco Electronics Corporation Harrisburg, PA 17105-3608	
DIMENSIONS: INCHES	TOLERANCES UNLESS OTHERWISE SPECIFIED:	CHK M.PERCHERKE 02MAR06	NAME	
	0 PLC ± -	APVD M.PERCHERKE 02MAR06	CROWN SOCKET JUMPER, SIZE #4	
	1 PLC ± -	PRODUCT SPEC	W/ #4 CRIMP BARREL,	
	2 PLC ± .02	APPLICATION SPEC	SIZE	CAGE CODE
	3 PLC ± .010		A3	00779
	4 PLC ± -	WEIGHT -	DRAWING NO	C=6648236
	ANGLES ± .5		RESTRICTED TO	-
MATERIAL -	FINISH -	CUSTOMER DRAWING		SCALE 1:1
			SHEET 1 OF 1	REV A

RAPID LOCK ELCON