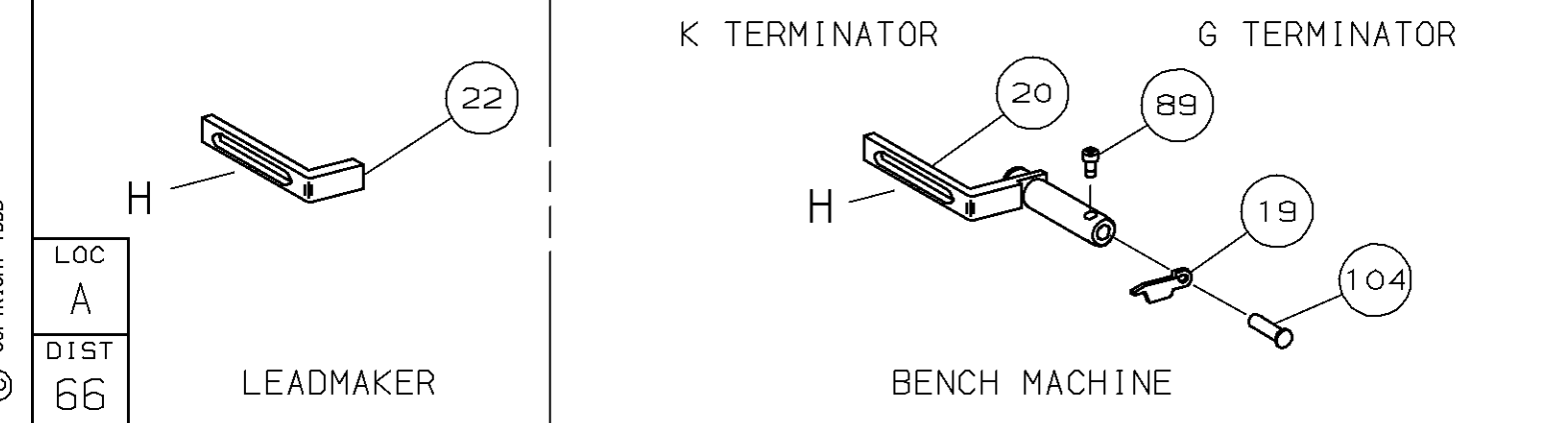
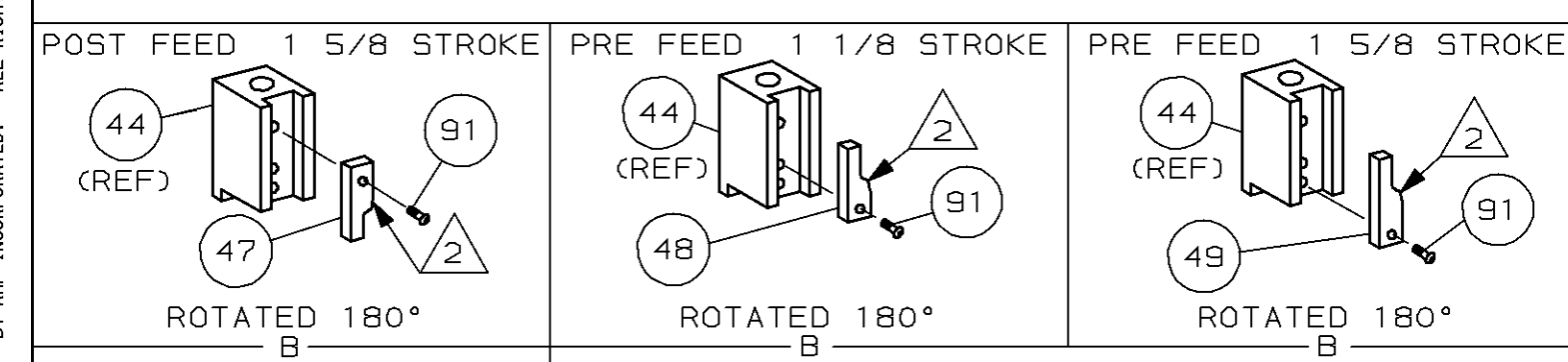
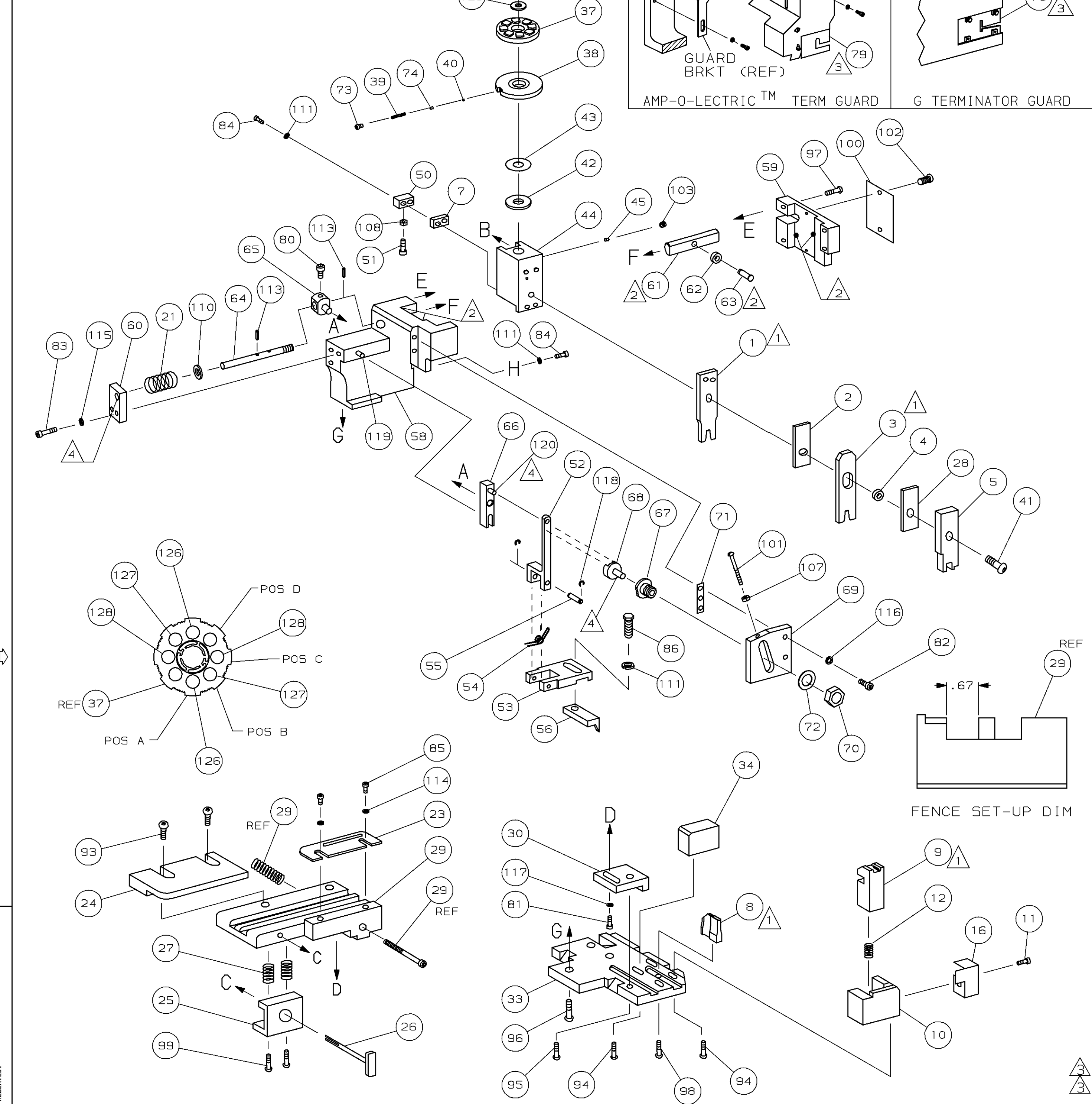


PART NUMBER	REV	FIRST USED
680752-1	A	122500-1
680752-2	A	565435-5
680752-3	A	354500-1



- 1 RECOMMENDED SPARE PARTS.
- 2 GREASE LIGHTLY.
- 3 GUARD MUST BE IN PLACE WHEN OPERATING APPLICATOR IN A BENCH MACHINE.
- 4 LUBRICATE DAILY USING NO. 20 MACHINE OIL.
- 5. ITEMS WITH QTY OF REF SPECIFIED (EXCEPT ITEMS 78 AND 79) ARE USED ON ITEM 46.

TERMINAL NAME: 2.8 MM TAB WITH DOUBLE LOCKING LANCE			
962881 CRIMP DATA (AMP TERMINAL)			
PAD LTR	CRIMP HEIGHT	WIRE SIZE	
A	.077 ±.002 [1.96 ±0.05mm]	2.5mm ²	
B	.072 ±.002 [1.83 ±0.05mm]	2mm ²	
C	.066 ±.002 [1.68 ±0.05mm]	1.5mm ²	
D	NOT	USED	
CRIMP	SIZE	TYPE	RANGE
WIRE	.110 [2.79mm]	F	16-12
INSUL	.155 [3.94mm]	0	ø3.4mm

WIRE STRIP LENGTH	TERM APPL SPEC	FEED	APPL INSTRUCTION	SET UP GAGE	LAYOUT
.188-.219	114-2065	.570	408-8040	458637-1	L2177

QTY	REF	REF	REF	REF	REF	DESCRIPTION	ITEM NO
2	2	2	-	C	354779-2	PIN, WIRE DISC (.3000)C	129
2	2	2	-	C	8-354778-9	PIN, WIRE DISC (.2940)B	127
2	2	2	-	C	7-354778-9	PIN, WIRE DISC (.2890)A	126
1	1	1	-	A	986950-1	WASHER, FLAT PRECISION	125
1	1	1	-	A	217238-1	GENERAL INSTRUCTION PACKAGE	124
1	1	1	-	-	4088040	SF APPL INST 408-8040	123
							122
							121
REF	REF	REF	-	A	1-21030-1	PIN, DOWEL (ø.187x.50) LEVER	120
REF	REF	REF	-	A	1-21030-6	PIN, DOWEL (ø.187x1.25) HOUSING	119
REF	REF	REF	-	A	21045-3	RING, RET "C" (ø.187) FD FING PIN	118
1	1	1	-	A	21024-5	WASHER, LOCK (#10) ADJ BLOCK	117
REF	REF	REF	-	A	21024-5	WASHER, LOCK (#10) ADJ PLATE	116
REF	REF	REF	-	A	21024-5	WASHER, LOCK (#10) FEED GDE ROD	115
2	2	2	-	A	21024-2	WASHER, LOCK (#4) FRONT STP GUIDE	114
REF	REF	REF	-	A	5-21028-1	PIN, SLT SPR (ø.125x.50) ADJ ROD	113
							112
4	4	4	-	A	21024-4	WASHER, LOCK (#8) STRIPPER	111
REF	REF	REF	-	A	21899-4	WASHER, FLAT (ø5/16) SCREW ADJ	110
							109
1	1	1	-	A	21018-5	NUT, HEX (NO. 6) HOLDDOWN	108
REF	REF	REF	-	A	21068-5	NUT, HEX (6-32) FEED ADJ	107
							106
							105
1	1	-	-	A	992031-1	PIN, CLEVIS	104
1	1	1	-	A	21009-2	SCR, SKT SET (1/4-20x.25 LW) RAM	103
2	2	2	-	A	21017-2	SCR, DRIVE (#2x.19) ID PLATE	102
REF	REF	REF	-	A	6-23715-5	SCR, PAN HD (6-32x1.50) FEED ADJ	101
1	1	1	-	B	461264-1	PLATE, IDENTIFICATION	100
2	2	2	-	A	3-21002-0	SCR, BHC (10-32x.88) DRAG	99
1	1	1	-	A	22733-8	SCR, BHC (8-32x.38 LW) ANVIL	98
REF	REF	REF	-	A	2-21002-9	SCR, BHC (10-32x.75) CAP	97
REF	REF	REF	-	A	2-22733-8	SCR, BHC (1/4-20x.62) HOUSING	96
REF	REF	REF	-	A	2-21002-7	SCR, BHC (10-32x.50) SG ADJ BLOCK	95
4	4	4	-	A	2-21002-2	SCR, BHC (8-32x.50) TERM H DWN	94
2	2	2	-	A	2-21002-2	SCR, BHC (8-32x)R STP GDE	93
							92
1	1	1	-	A	1-21002-7	SCR, BHC (6-32x.38) CAM	91
							90
1	1	-	-	A	7-21000-9	SCR, SHC (4-40x.19) STRIPPER	89
							88
							87
1	1	1	-	A	2-22603-0	SCR, HEX HD (8-32x.31) FEED FINGER	86
2	2	2	-	A	1-21000-3	SCR, SHC (4-40x.25) F ST GUIDE	85
3	3	3	-	A	2-21000-7	SCR, SHC (8-32x.50) STRIPPER	84
REF	REF	REF	-	A	3-21000-7	SCR, SHC (10-32x.75) FEED ROD GD	83
REF	REF	REF	-	A	3-21000-6	SCR, SHC (10-32x.62) FD ADJ BLK	82
1	1	1	-	A	3-21000-4	SCR, SHC (10-32x.38) SG ADJ BL	81
REF	REF	REF	-	A	3-21000-4	SCR, SHC (10-32x.38) PIVOT BLK	80
-	REF	-	-	B	455749-1	GUARD, WINDOW	79
REF	-	-	-	B	679532-1	INSERT, GUARD	78
							77
							76
							75
1	1	1	-	A	690603-1	SPRING, ASSIST	74
1	1	1	-	A	23030-1	SCR, SHC (6-32x.25 SL) INS DISC	73
REF	REF	REF	-	A	458109-1	WASHER, SPECIAL	72
REF	REF	REF	-	A	690517-1	SPACER	71
							70
							69
							68
							67
							66
							65
							64
							63
							62
							61
							60
							59
							58
							57
							56
							55
							54
							53
							52
							51
							50
							49
							48
							47
							46
							45
							44
							43
							42
							41
							40
							39
							38
							37
							36
							35
							34
REF	REF	REF	-	D	455675-1	PLATE, BASE	33
							32
							31
REF	REF	REF	-	B	455689-1	BLOCK, STRIP GUIDE ADJ	30
1	1	1	-	C	318756-1	STRIP GUIDE PLATE ASSY	29
1	1	1	-	C	2-455888-1	SPACER, FRONT SHEAR DEP	28
2	2	2	-	A	1-22284-0	SPRING, DRAG	27
1	1	1	-	B	690546-1	LEVER, DRAG RELEASE	26
1	1	1	-	B	240792-1	DRAG, TERMINAL	25
1	1	1	-	D	8-690504-6	GUIDE, STRIP (REAR)	24
1	1	1	-	A	690438-1	GUIDE, STRIP (FRONT)	23
-	-	1	-	B	690472-2	STRIPPER	22
REF	REF	REF	-	A	4-22284-9	SPRING, FEED RETURN	21
1	1	-	-	A	679218-1	STRIPPER WIRE STOP ASSY	20
1	1	-	-	B	458949-1	STRIPPER	19
							18
							17
1	1	1	-	B	318563-1	GUARD, CHIP, FRONT	16
							15
							14
							13
1	1	1	-	A	5-22280-0	SPRING, SHEAR	12
1	1	1	-	B	690461-1	STOP, SHEAR	11
1	1	1	-	C	690459-1	HOLDER, SHEAR (FRONT)	10
1	1	1	-	C	454276-1	SHEAR, FLOAT (FRONT)	9
1	1	1	-	C	1-662189-3	ANVIL	8
1	1	1	-	C	1-240641-3	SPACER, DEPRESSOR (REAR)	7
							6
1	1	1	-	C	1-455889-4	DEPRESSOR, SHEAR (FRONT)	5
1	1	1	-	B	238011-2	SPACER, BLOCK CRIMPER	4
1	1	1	-	C	1-456135-0	CRIMPER, INSULATION	3
1	1	1	-	C	1-455888-8	SPACER, CRIMPER	2
1	1	1	-	C	456408-2	CRIMPER, WIRE	1
-3	-2	-1	U/M	DWG SIZE	PART NO	DESCRIPTION	ITEM NO

LEADMAKER		MECH POST FEED		MECH PRE FEED		MECH PRE FEED		ITEM NO	
-1	REF	REF	-	B	22594-8	NUT, HEX (1/2-20)		70	
-2	REF	REF	-	B	240628-1	PLATE, ADJUSTMENT		69	
-3	REF	REF	-	B	240626-1	SHAFT, PIVOT		68	
	REF	REF	-	B	240633-1	BUSHING		67	
	REF	REF	-	A	455680-1	LEVER, INTERMEDIATE		66	
	REF	REF	-	B	240629-1	BLOCK, PIVOT		65	
	REF	REF	-	A	240632-2	SCREW, ADJ FEED ROD		64	
	REF	REF	-	B	240659-3	PIN, CAM ROLLER		63	
	REF	REF	-	B	240658-1	ROLLER, CAM		62	
	REF	REF	-	B	454398-2	ROD, FEED		61	
	REF	REF	-	A	454178-1	GUIDE, FEED ROD		60	
	REF	REF	-	C	454220-1	CAP, RAM		59	
	REF	REF	-	D	454485-1	HOUSING		58	
								57	
1	1	1	-	B	690542-2	PAWL, FEED		56	
REF	REF	REF	-	B	240624-1	PIN, FEED FINGER		55	
REF	REF	REF	-	B	691499-1	SPRING, FEED FINGER		54	
REF	REF	REF	-	B	690541-1	HOLDER, FEED FINGER		53	
REF	REF	REF	-	A	455679-2	LEVER, TERMINAL FEED ARM		52	
1	1	1	-	A	811242-2	BUMPER, HOLDDOWN		51	
1	1	1	-	A	690753-1	SPACER, TONKER		50	
1	-	-	-	B	690602-6	CAM, PRE-FEED 1 5/8 ST		49	
-	1	-	-	B	690602-5	CAM, PRE-FEED 1 1/8 ST		48	
-	-	1	-	B	690501-4	CAM, POST-FEED 1 5/8 ST		47	
1	1	1	-	B	459456-2	APPLICATOR, BASIC (SUBASSY)		46	
1	1	1	-	A	690191-1	PLUG, NYLON		45	
1	1	1	-	C	819307-5	RAM		44	
1	1	1	-	A	690125-1	WASHER, LAMINATED		43	
1	1	1	-	A	690124-1	WASHER, RAM		42	
1	1	1	-	A	7-21002-9	BOLT, CRIMPER (5/16x1.00)		41	
1	1	1	-	A	23241-6	BALL, STEEL		40	
1	1	1	-	A	690170-1	SPRING, COMPRESSION		39	
1	1	1	-	C	690142-1	DISC, INSULATION		38	
1	1	1	-	D	354777-1	WIRE DISC, PLASTIC		37	
1	1	1	-	A	22480-5	WASHER, SPRING		36	
1	1	1	-	B	690212-1	POST, RAM		35	
1	1	1	-	B	690786-3	SUPPORT, TERMINAL		34	
REF	REF	REF	-	D	455675-1	PLATE, BASE		33	
								32	
								31	
REF	REF	REF	-	B	455689-1	BLOCK, STRIP GUIDE ADJ		30	
1	1	1	-	C	318756-1	STRIP GUIDE PLATE ASSY		29	
1	1	1	-	C	2-455888-1	SPACER, FRONT SHEAR DEP		28	
2	2	2	-	A	1-22284-0	SPRING, DRAG		27	
1	1	1	-	B	690546-1	LEVER, DRAG RELEASE		26	
1	1	1	-	B	240792-1	DRAG, TERMINAL		25	
1									